



US00D880799S

(12) **United States Design Patent**
Pang

(10) **Patent No.:** **US D880,799 S**
(45) **Date of Patent:** **** Apr. 7, 2020**

(54) MULTI-FUNCTIONAL FOLDING CART	4,632,420 A * 12/1986 Miyagi B62B 7/08 280/47.39
(71) Applicant: QINGDAO ZHENGTAO TOOL CO., LTD. , Qingdao, Shandong Province (CN)	D292,639 S * 11/1987 Kean D34/24 4,723,815 A * 2/1988 Kassai B62B 7/08 280/47.4
(72) Inventor: Wei Pang , Qingdao (CN)	4,732,406 A * 3/1988 Kassai B62B 7/08 280/47.38
(73) Assignee: QINGDAO ZHENGTAO TOOL Co., LTD. , Qingdao (CN)	4,733,882 A * 3/1988 Kassai B62B 7/08 D12/129
(**) Term: 15 Years	5,203,579 A * 4/1993 Lipschitz B62B 3/1472 D34/19 D336,710 S * 6/1993 Kinnaman D34/18 5,388,854 A * 2/1995 Kappaz B62B 3/027 280/47.19

(Continued)

(21) Appl. No.: **29/640,967**

(22) Filed: **Mar. 19, 2018**

(51) **LOC (12) Cl.** **12-02**

(52) **U.S. Cl.**
USPC **D34/12**

(58) **Field of Classification Search**
USPC 180/20; 280/33.991, 33.992, 33.995,
280/33.996, 33.997, 47.35, 79.2, 79.3,
280/647, 651; D12/129; D34/12, 14, 16,
D34/17, 19, 20, 21, 23, 24, 25, 27;
D21/425

CPC B62B 1/12; B62B 1/20; B62B 2206/02;
B62B 5/06; B62B 5/067

See application file for complete search history.

(56) **References Cited**

U.S. PATENT DOCUMENTS

3,913,762 A * 10/1975 Alexander B62B 1/14 414/490
4,429,897 A * 2/1984 Friedman B62B 1/12 280/47.24
D282,499 S * 2/1986 Alstrom D34/17
4,586,721 A * 5/1986 Harada B62B 7/12 280/30
4,610,460 A * 9/1986 Kassai B62B 7/08 D12/129
4,626,030 A * 12/1986 Kassai B62B 9/10 280/47.4

OTHER PUBLICATIONS

Zhengtao Tool, "Foldable Wagon", Aug. 5, 2019. http://zhengtaotool.com/productshow_english.asp?ID=209. Shown on p. 1. (Year: 2019).*

Primary Examiner — Cynthia Ramirez

Assistant Examiner — Michael A Maharajh

(74) *Attorney, Agent, or Firm* — Buchanan Ingersoll & Rooney PC

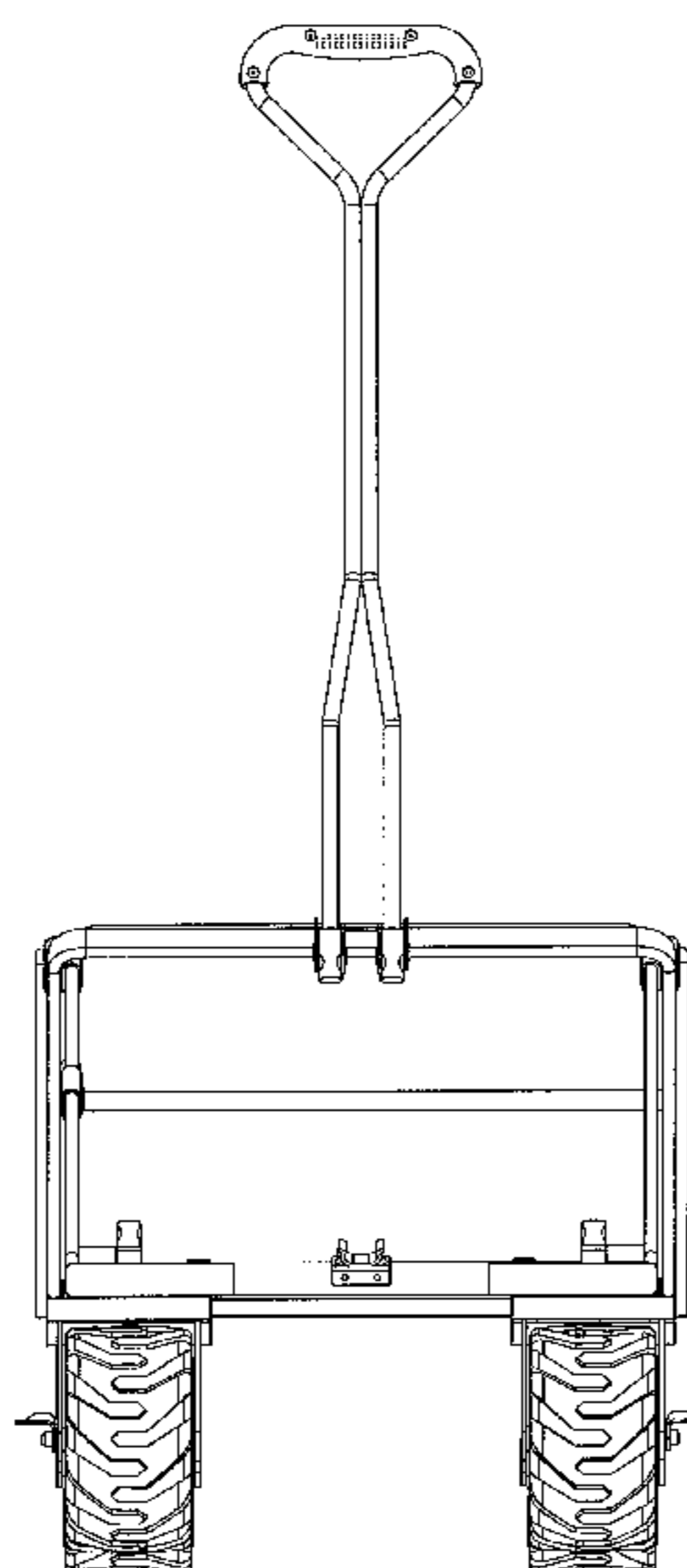
(57) **CLAIM**

The ornamental design for a multi-functional folding cart, as shown and described.

DESCRIPTION

FIG. 1 is a front elevational view of a multi-functional folding cart showing my new design;
FIG. 2 is a rear elevational view thereof;
FIG. 3 is a right side elevational view thereof, the left side being a mirror image;
FIG. 4 is a top plan view thereof;
FIG. 5 is a bottom plan view thereof; and,
FIG. 6 is a perspective view thereof.

1 Claim, 6 Drawing Sheets



(56)

References Cited

U.S. PATENT DOCUMENTS

5,409,028	A *	4/1995	Lee	A61H 3/04	280/47.35			
D368,680	S *	4/1996	Freeman	D12/113				
5,820,146	A *	10/1998	Van Ligten	B62B 1/002	280/87.041			
D410,312	S *	5/1999	Liao	D34/15				
D422,392	S *	4/2000	Weinstein	D34/12				
D447,847	S *	9/2001	Shyshka	D34/17				
D465,632	S *	11/2002	Koppes	D34/17				
6,698,772	B1 *	3/2004	Cervantes	B62B 9/28	280/33.996			
D493,932	S *	8/2004	Prather	D34/21				
D529,252	S *	9/2006	Wu	D34/24				
7,267,359	B1 *	9/2007	Yang	B62B 7/08	280/47.34			
D573,772	S *	7/2008	Fahnle	D34/17				
7,464,957	B2 *	12/2008	Worth	B62B 7/08	280/47.36			
D634,913	S *	3/2011	Xie	D34/15				
D635,731	S *	4/2011	Schloemer	D34/12				
8,061,722	B2 *	11/2011	Price	B62B 3/02	280/47.35			
8,152,181	B2 *	4/2012	Tomlinson	A61H 3/04	280/47.35			
8,480,098	B2 *	7/2013	Liao	B62B 3/02	280/47.26			
8,814,182	B1 *	8/2014	Kirby	A61H 3/04	135/66			
D748,739	S *	2/2016	Horowitz	D21/425				
D770,716	S *	11/2016	Giampavolo	D34/17				
9,550,508	B1 *	1/2017	Parra	B62B 3/10				
D827,722	S *	9/2018	Sun	D21/425				
D837,696	S *	1/2019	Huntley	D12/129				
D853,892	S *	7/2019	Hu	D12/129				
D861,278	S *	9/2019	Pang	B62B 3/025	D21/425			

* cited by examiner

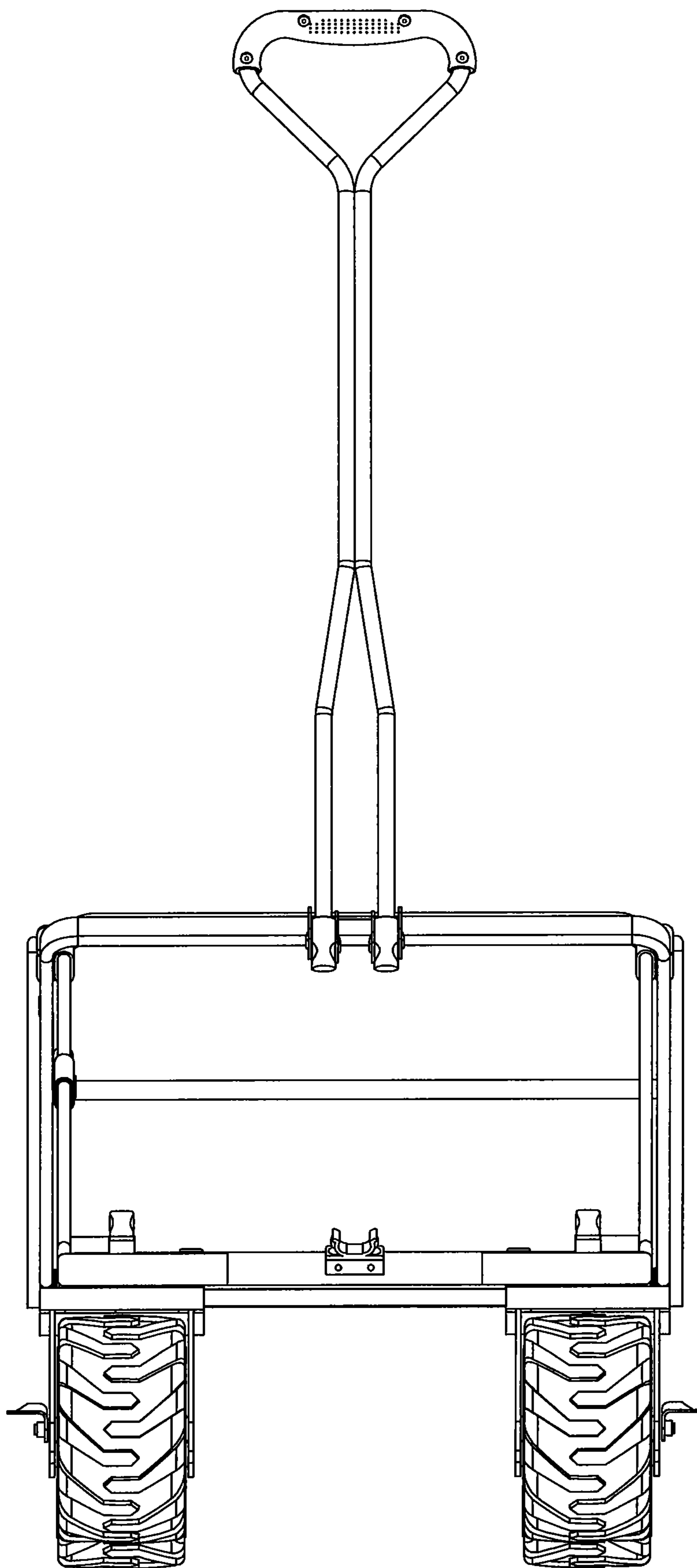


FIG. 1

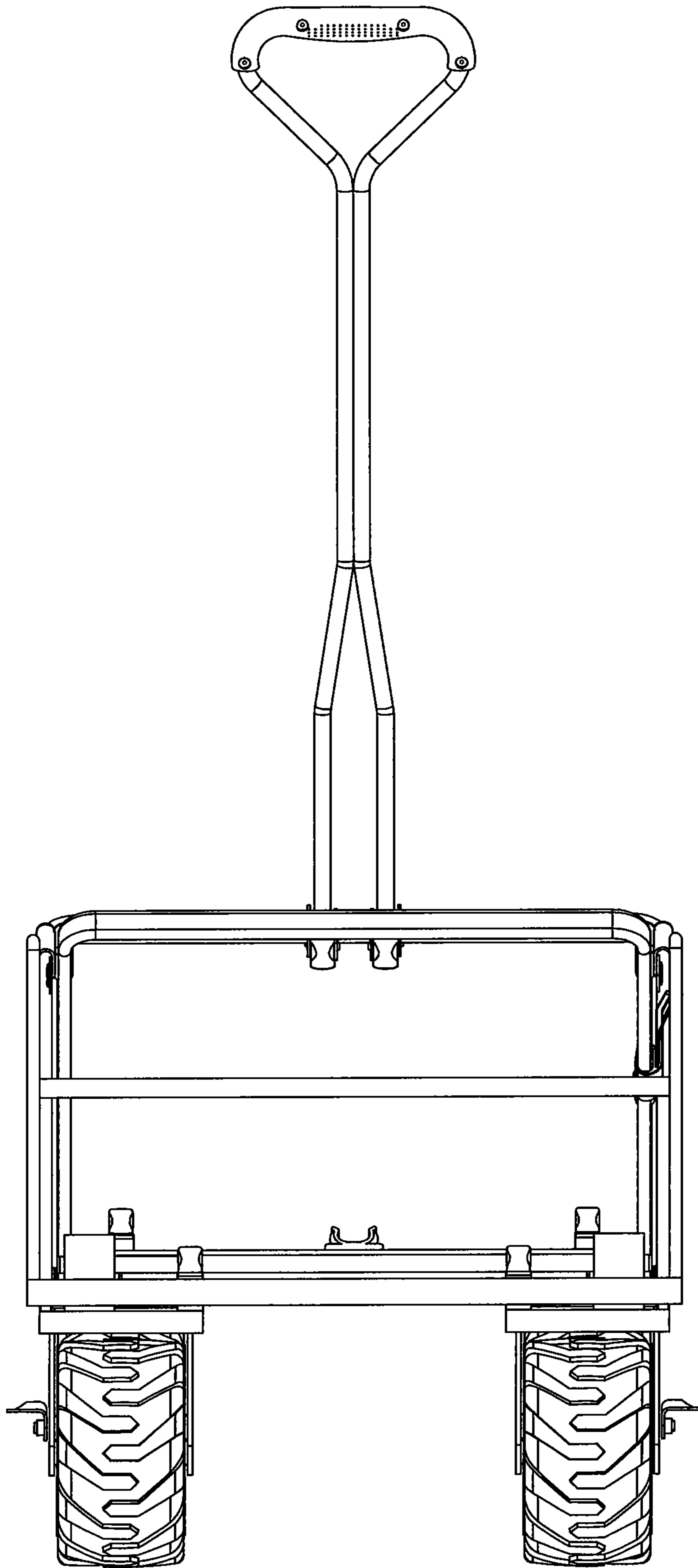


FIG. 2

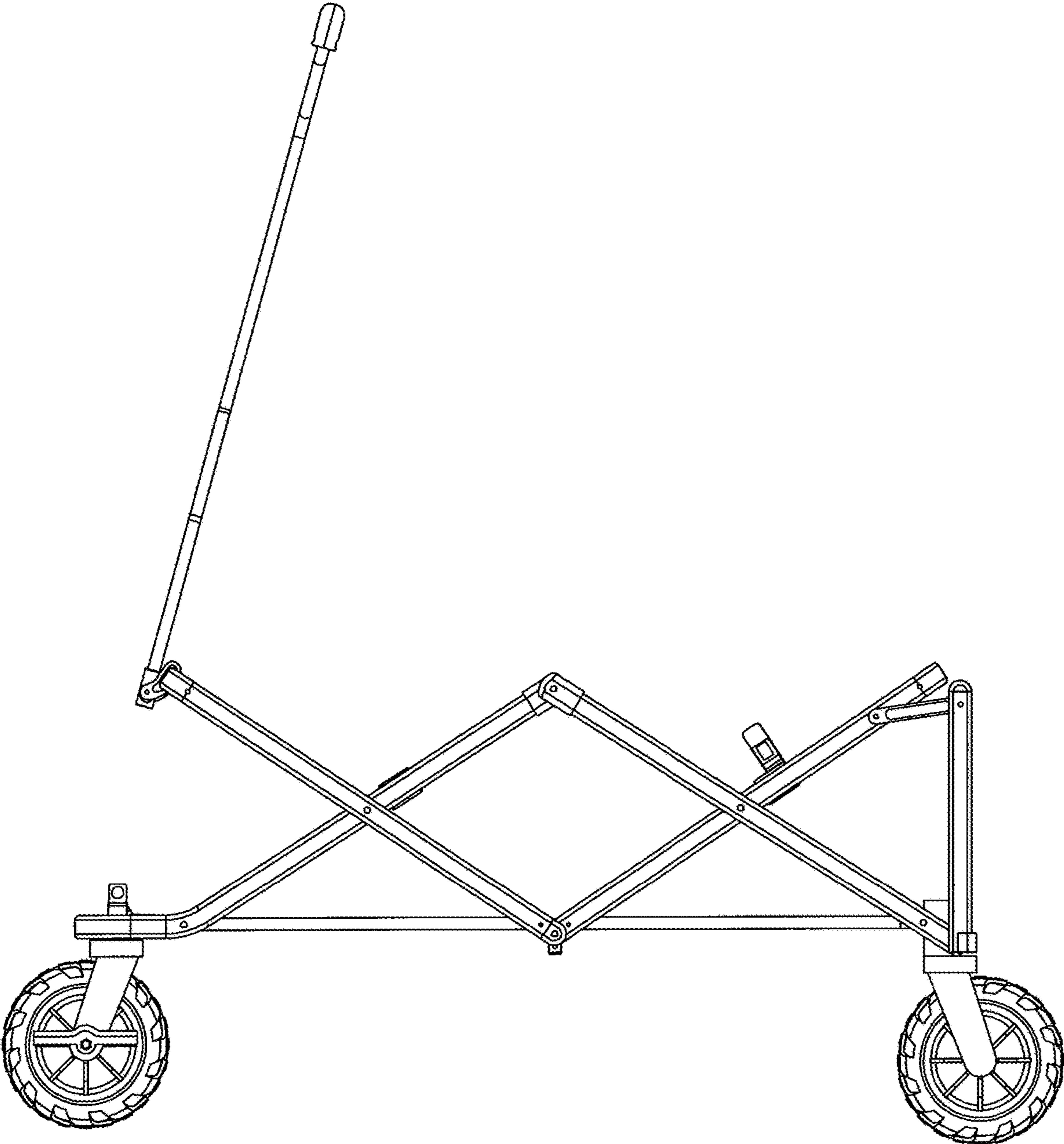


FIG. 3

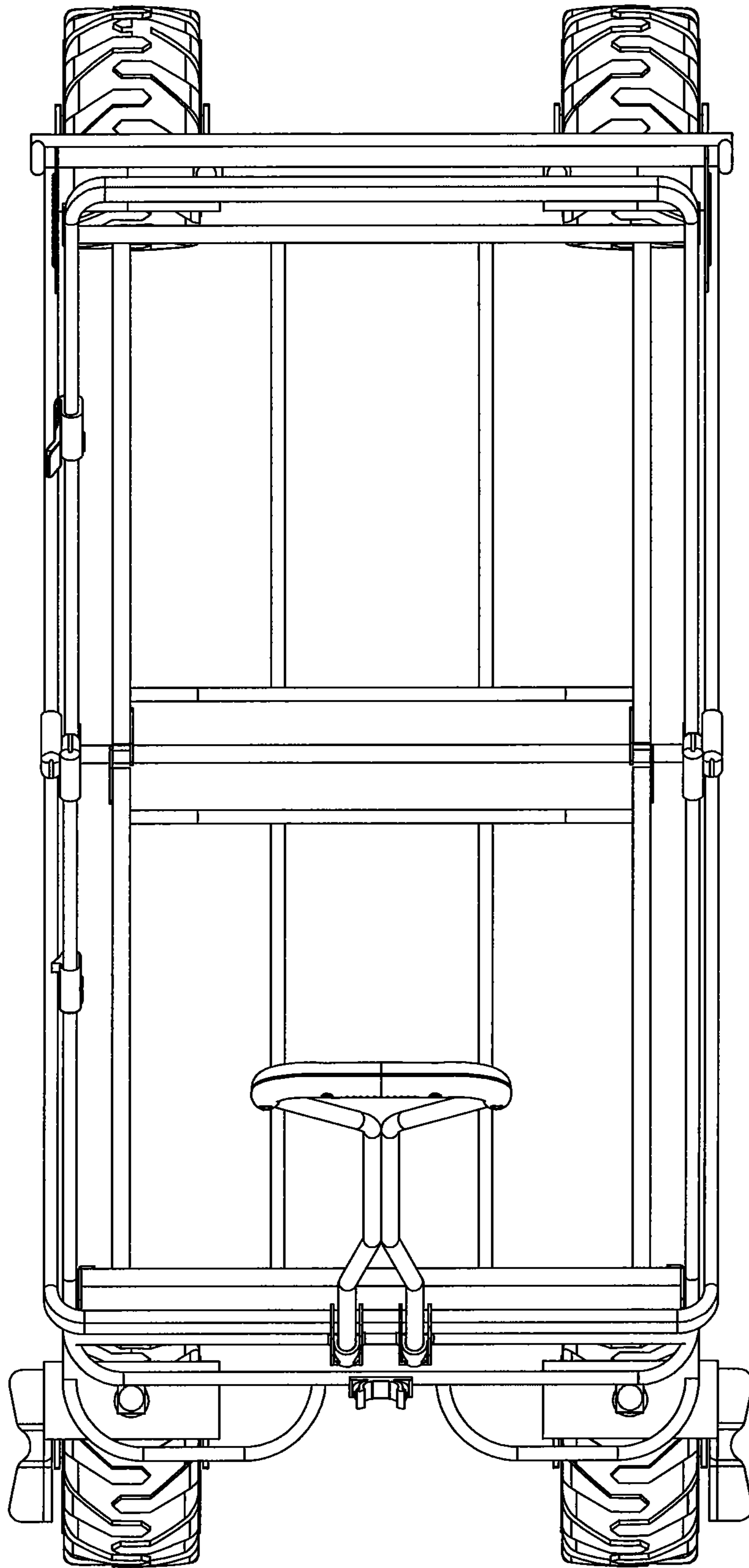


FIG. 4

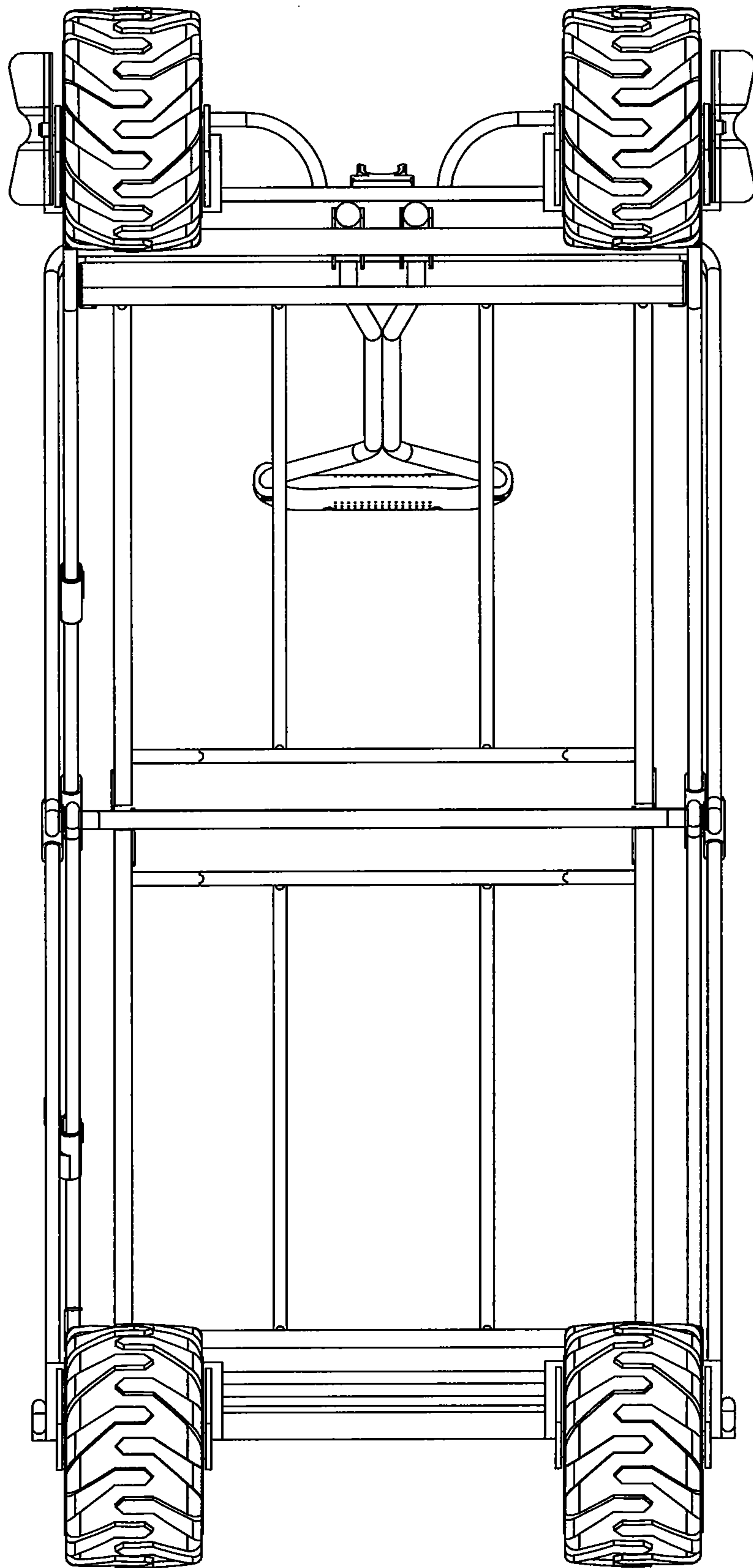


FIG. 5

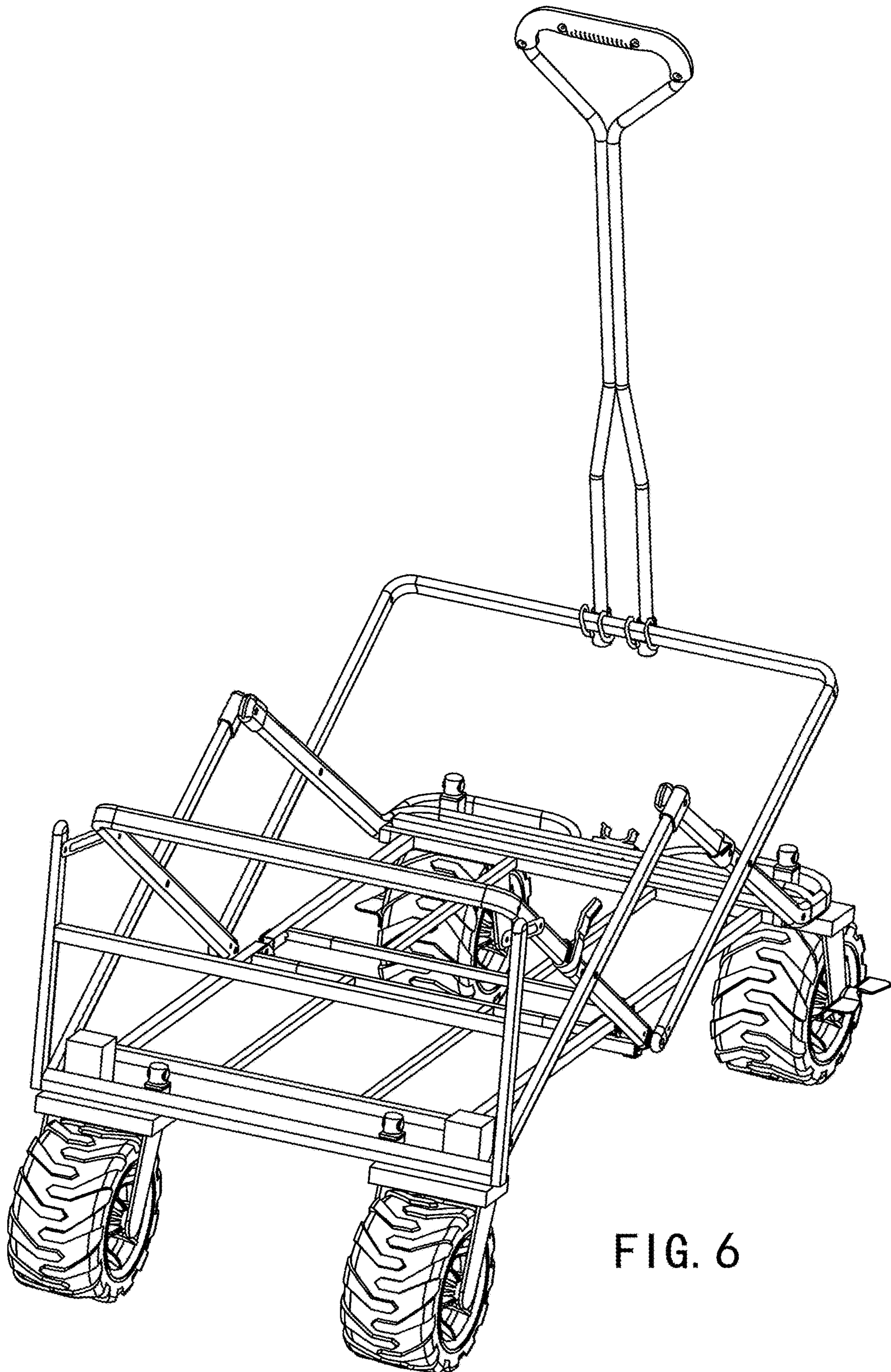


FIG. 6