



US00D880798S

(12) **United States Design Patent**  
**Winkelmann**

(10) **Patent No.:** **US D880,798 S**

(45) **Date of Patent:** **\*\* Apr. 7, 2020**

- (54) **LAWN BAG FUNNEL**
- (71) Applicant: **Robert Winkelmann**, Saint Joseph, MI (US)
- (72) Inventor: **Robert Winkelmann**, Saint Joseph, MI (US)
- (\*\*) Term: **15 Years**

5,979,842 A \* 11/1999 Fan ..... B65B 67/12  
141/391

6,135,518 A 10/2000 Holthaus

6,293,505 B1 \* 9/2001 Fan ..... B65B 67/12  
141/391

6,536,488 B1 3/2003 Pochobradsky

D502,582 S \* 3/2005 Boles ..... D34/6

7,302,978 B1 12/2007 Kolarik

8,757,563 B2 6/2014 Muse

D804,134 S \* 11/2017 Boyea ..... D34/10

\* cited by examiner

- (21) Appl. No.: **29/670,309**
- (22) Filed: **Nov. 15, 2018**
- (51) **LOC (12) Cl.** ..... **09-09**
- (52) **U.S. Cl.**  
USPC ..... **D34/6**
- (58) **Field of Classification Search**  
USPC ..... D34/1-2, 4-7, 10, 11; D7/700; D9/435,  
D9/447, 434; 220/908, 908.1, 909;  
D20/27, 42, 43; 248/95, 97, 99, 98, 907;  
141/314, 391, 390, 316; 53/390  
CPC ..... B65D 83/06; B65B 67/12  
See application file for complete search history.

*Primary Examiner* — Cynthia Ramirez  
*Assistant Examiner* — Gino Colan

(57) **CLAIM**

The ornamental design for a lawn bag funnel, as shown and described.

**DESCRIPTION**

FIG. 1 is a front view of a lawn bag funnel showing my new design;

FIG. 2 is a rear view of the lawn bag funnel;

FIG. 3 is a right side view of the lawn bag funnel;

FIG. 4 is a left side view of the lawn bag funnel;

FIG. 5 is a top view of the lawn bag funnel;

FIG. 6 is a bottom view of the lawn bag funnel;

FIG. 7 is a top front side perspective view of the lawn bag funnel; and,

FIG. 8 is a top front side perspective view of the lawn bag funnel in use.

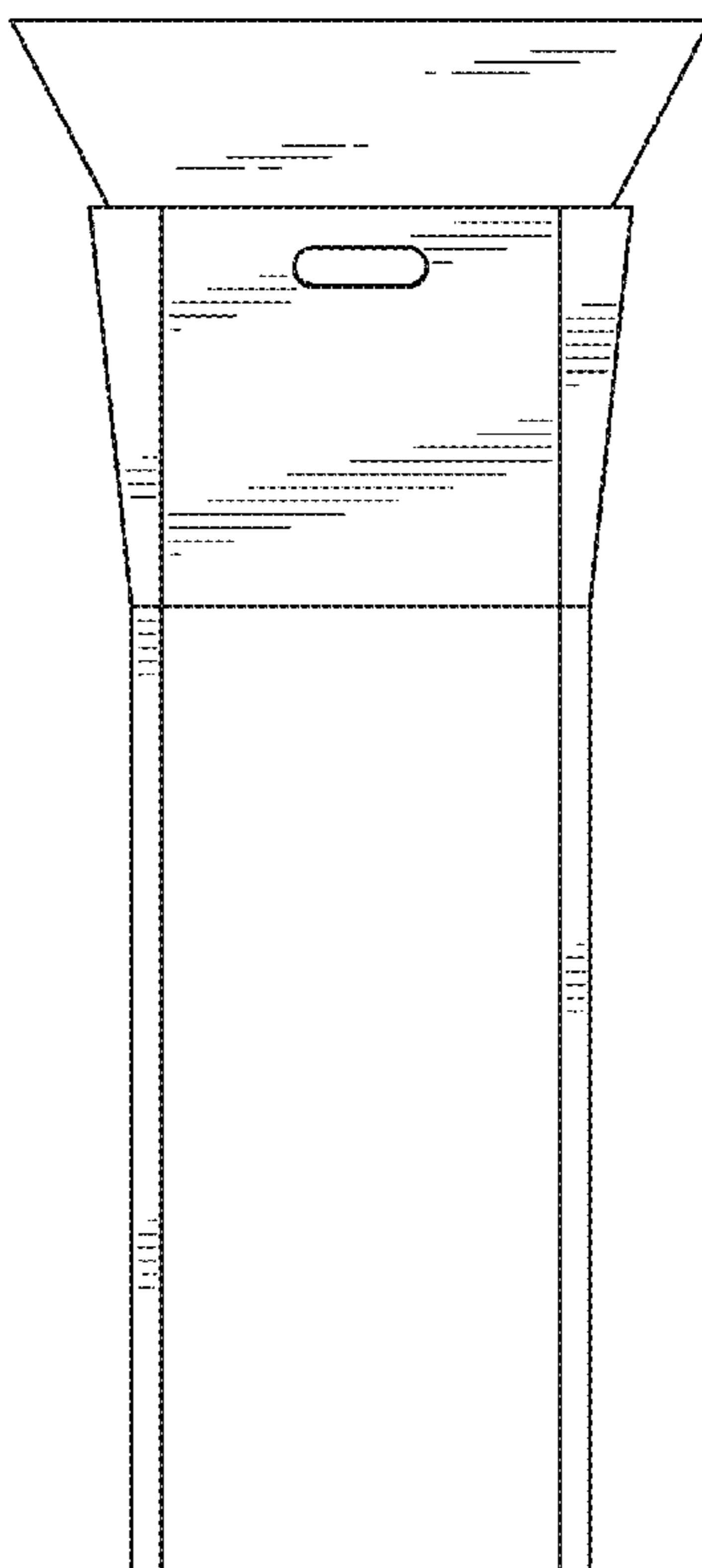
The broken lines in FIG. 8 represent environmental structure which forms no part of the claimed design.

(56) **References Cited**

U.S. PATENT DOCUMENTS

- 2,731,184 A 1/1956 Thurber
- D349,992 S 8/1994 Brohan
- 5,765,614 A 6/1998 Kardosh
- D401,722 S \* 11/1998 Eichenberg ..... D34/6
- 5,868,364 A 2/1999 MacMillan
- 5,915,768 A 6/1999 Young
- D414,008 S \* 9/1999 Jackson ..... D34/1

**1 Claim, 4 Drawing Sheets**



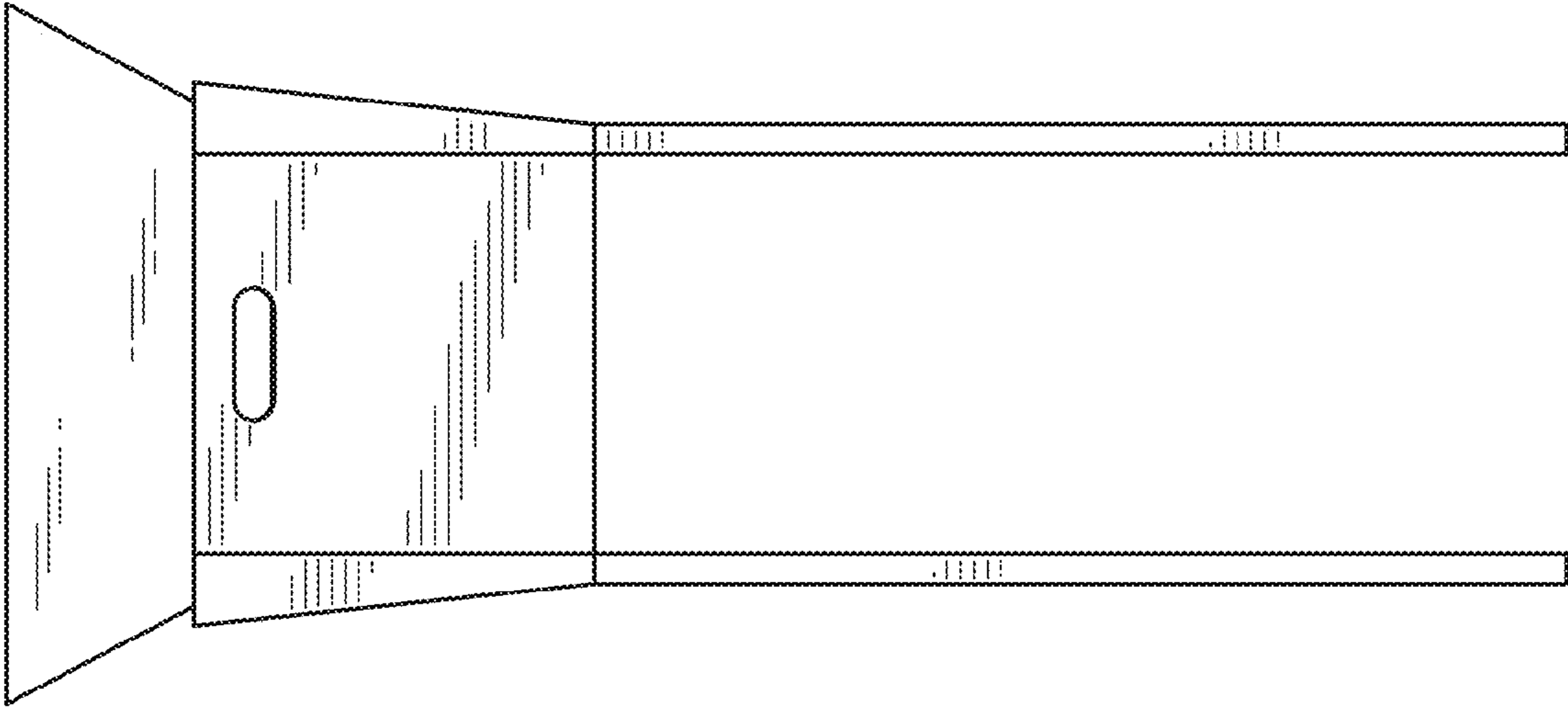


FIG. 2

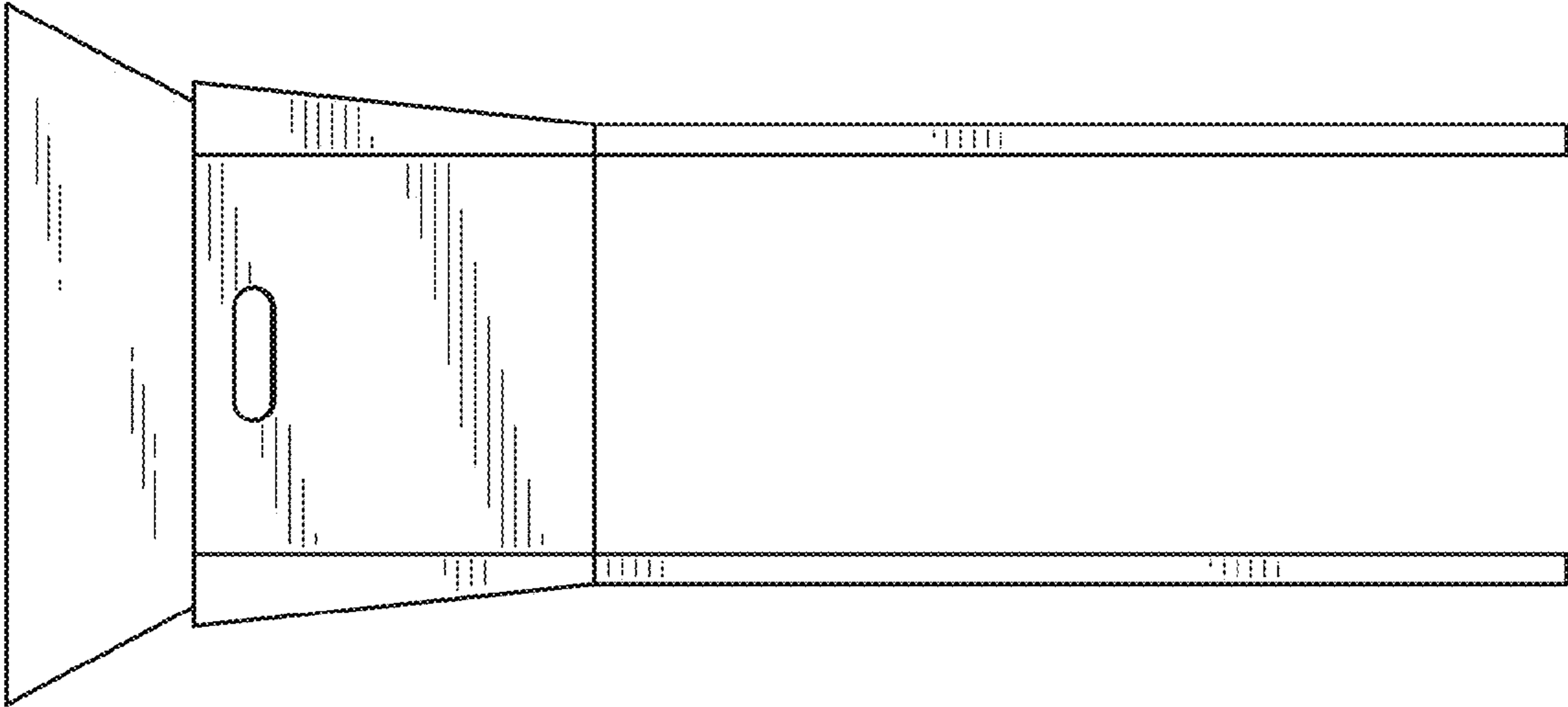


FIG. 1

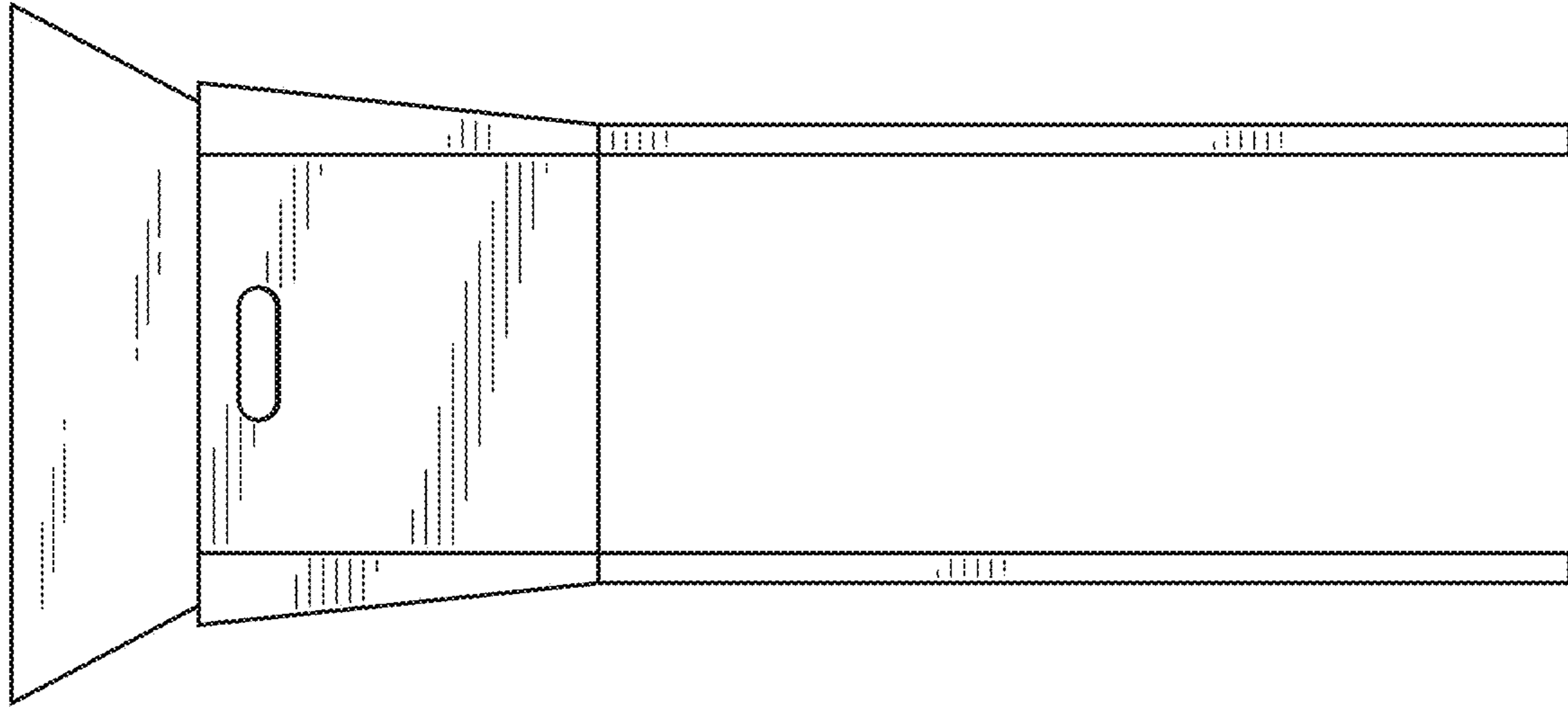


FIG. 4

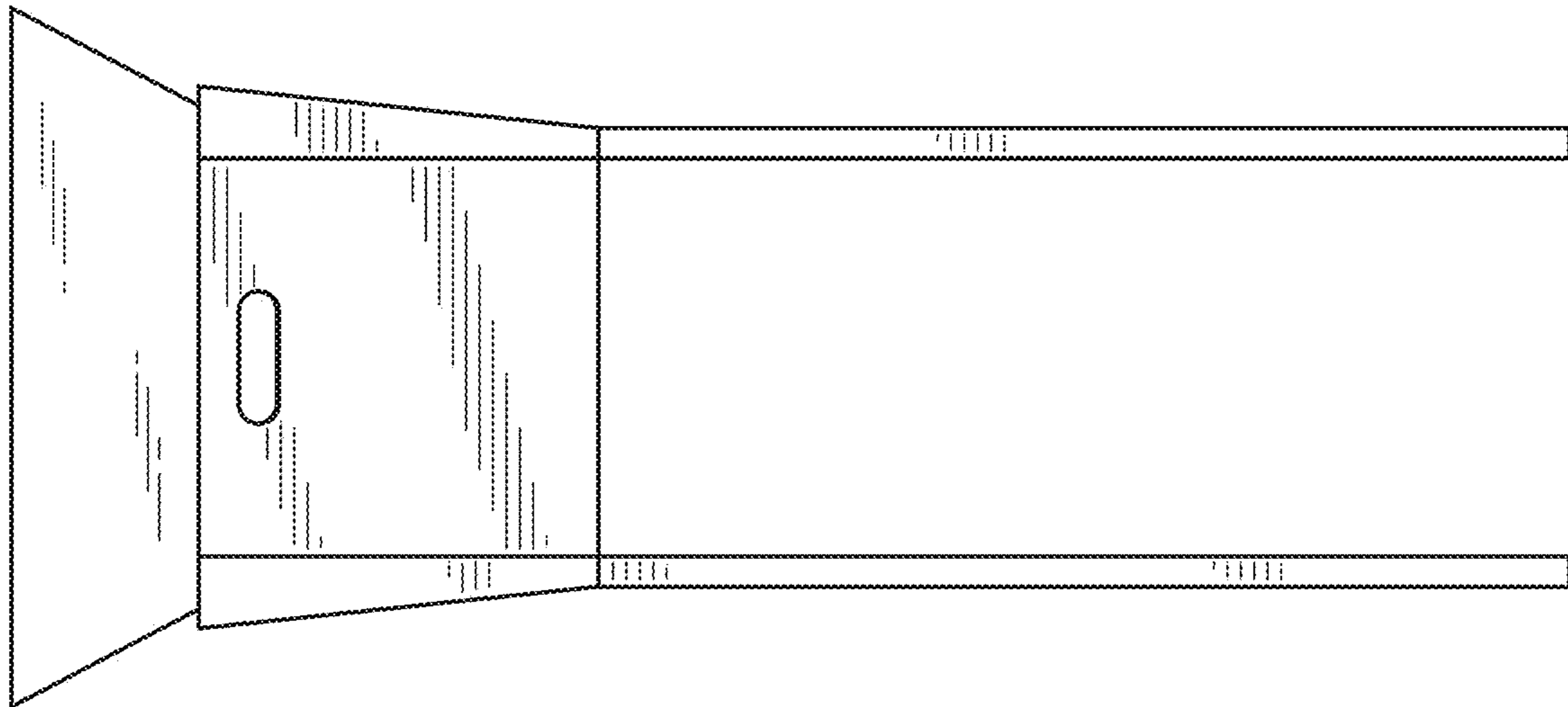


FIG. 3

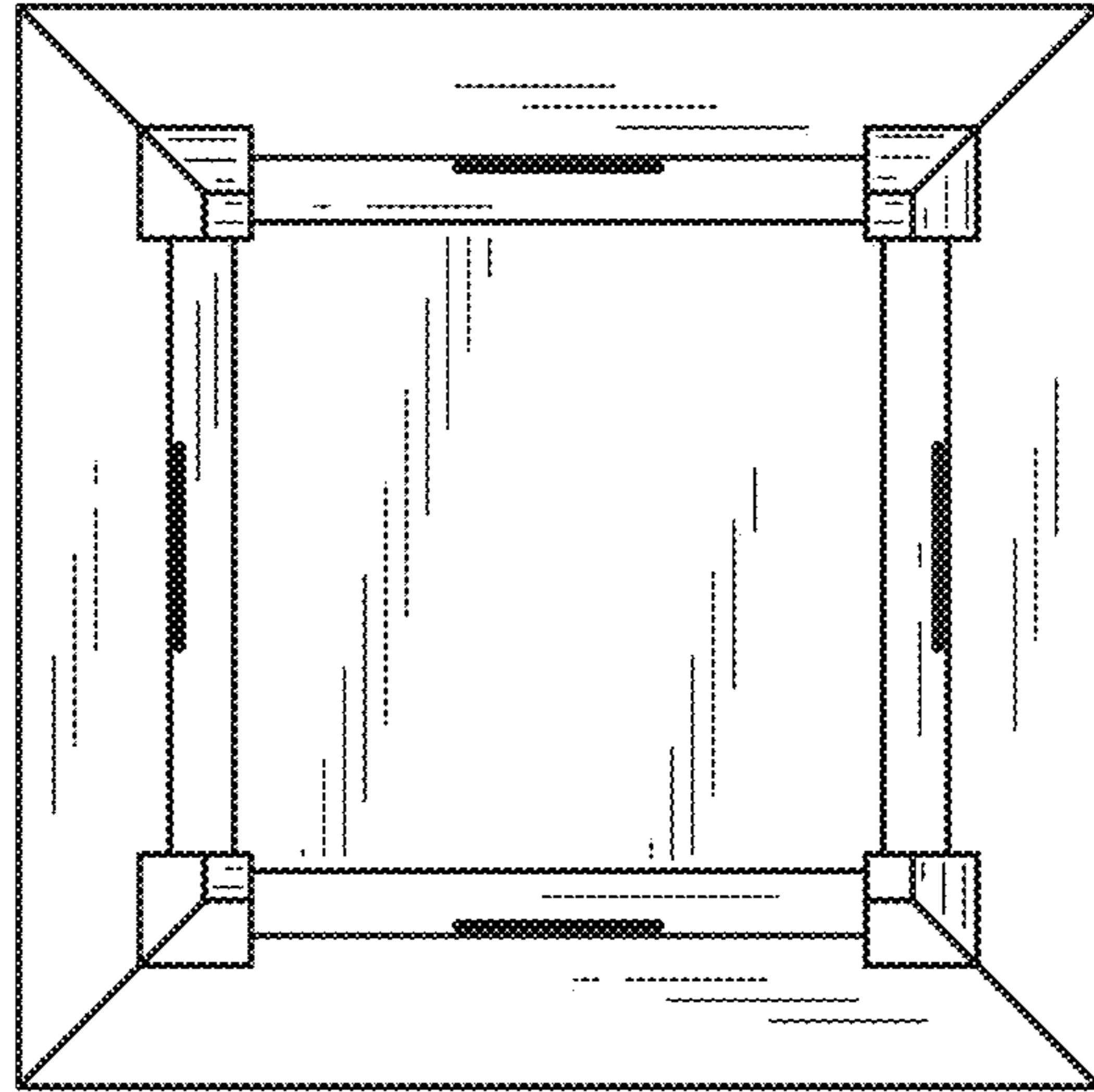


FIG. 6

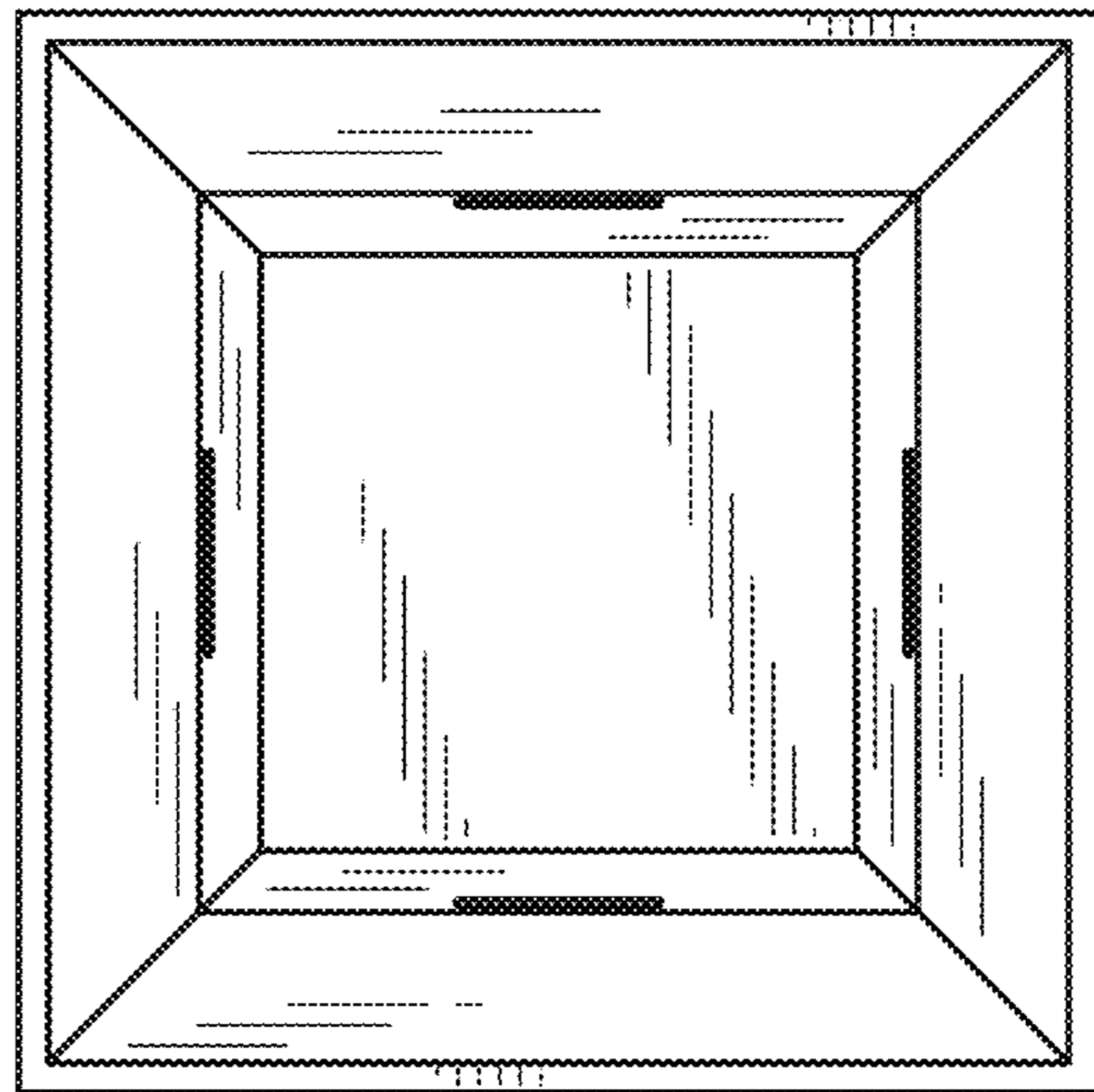


FIG. 5

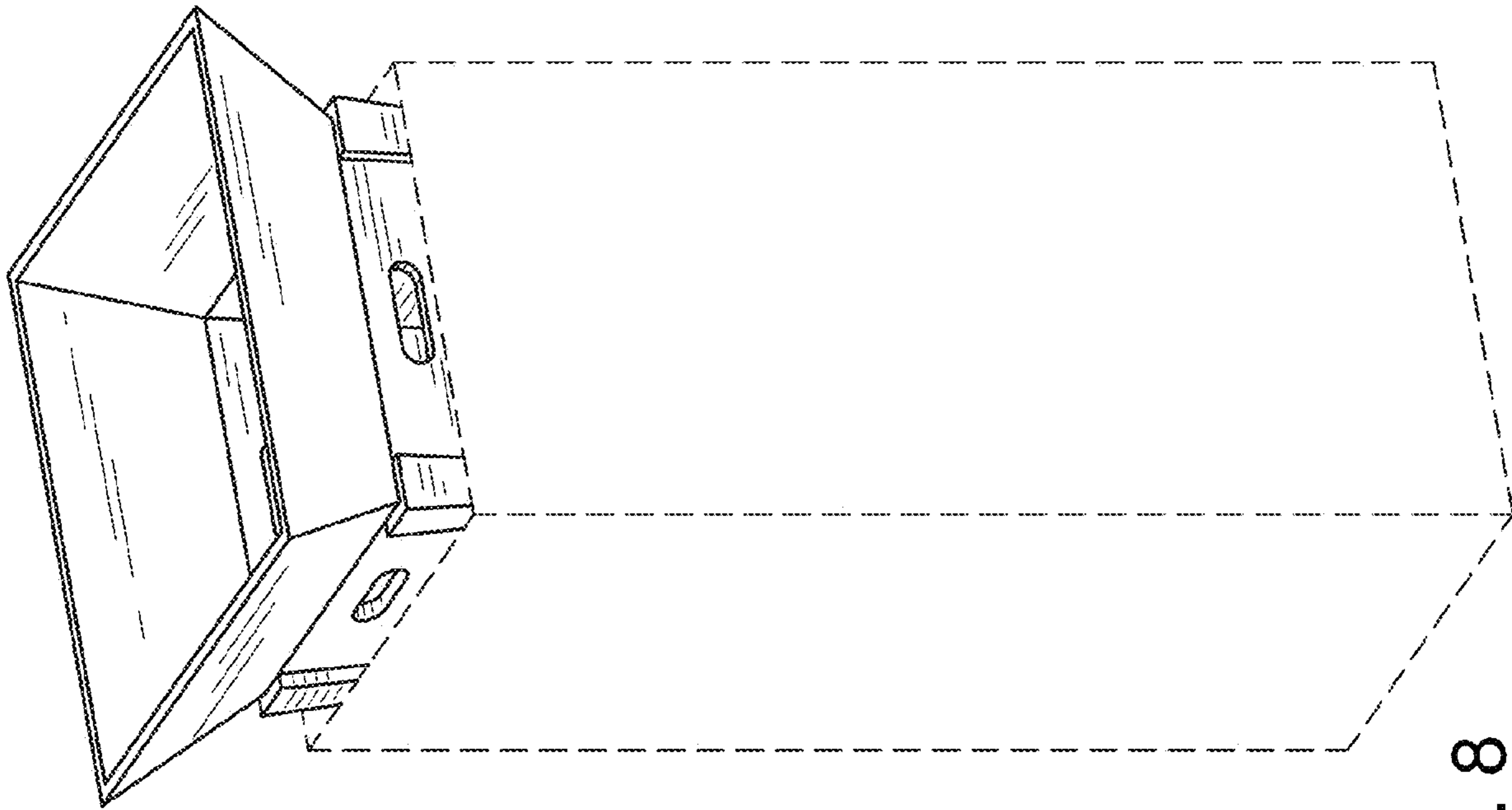


FIG. 8

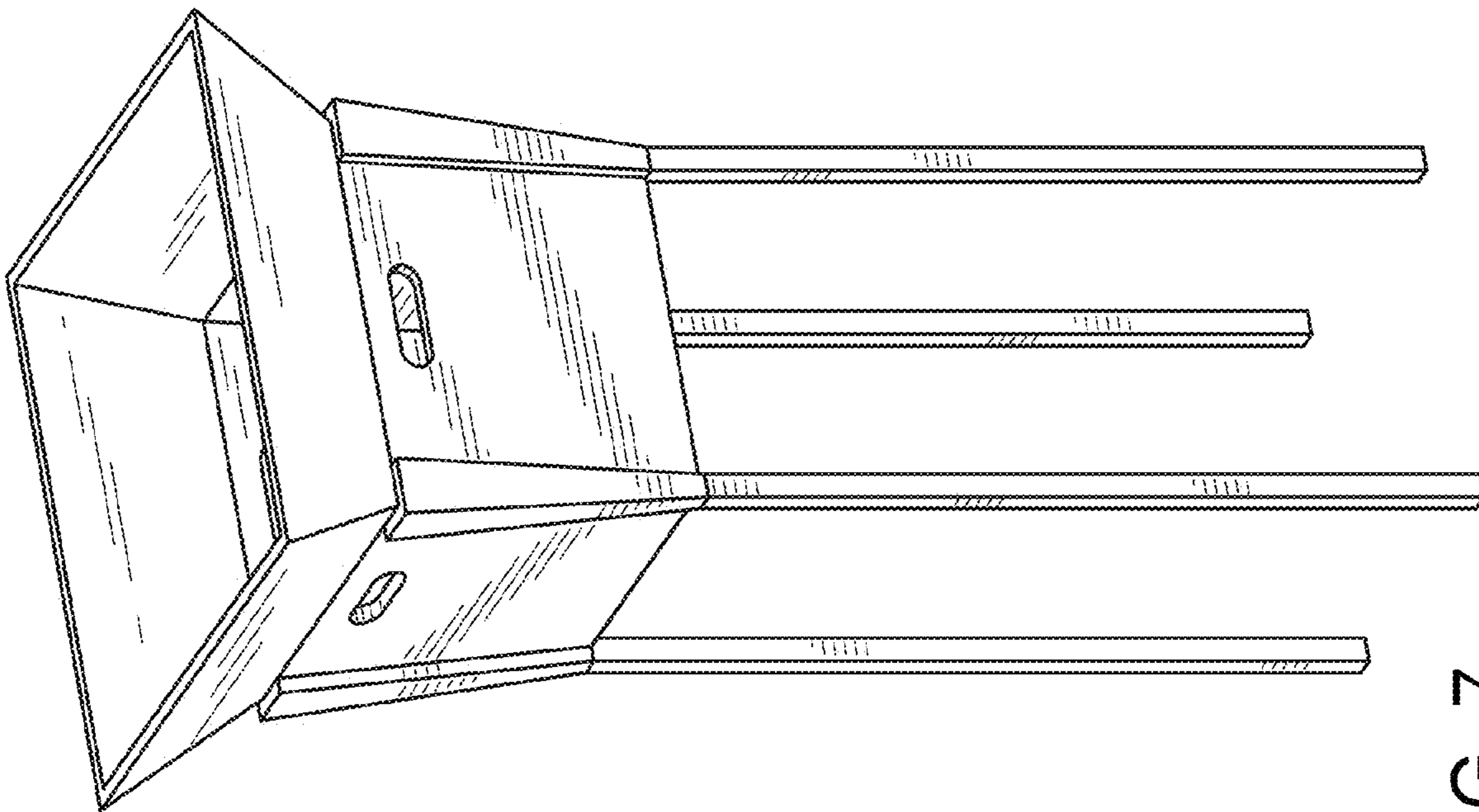


FIG. 7