



US00D880795S

(12) **United States Design Patent** (10) **Patent No.:** **US D880,795 S**
Barre et al. (45) **Date of Patent:** **** Apr. 7, 2020**

(54) **GARMENT HAMPER**

(71) Applicant: **NEATFREAK GROUP INC.**,
Mississauga (CA)

(72) Inventors: **Bertrand Barre**, Lapeyrouse (FR);
Francis Lepage, Dommartin (FR)

(73) Assignee: **NEATFREAK GROUP INC.**,
Mississauga, Ontario

(**) Term: **15 Years**

(21) Appl. No.: **29/635,421**

(22) Filed: **Jan. 31, 2018**

(51) **LOC (12) Cl.** **09-04**

(52) **U.S. Cl.**
USPC **D32/37**

(58) **Field of Classification Search**
USPC D32/36, 37, 53; D3/201, 304, 305, 306,
D3/307, 308, 309, 312, 314; D6/315,
D6/331, 657, 659, 663, 664, 667, 675,
D6/677, 683, 686; D7/638; D9/420,
D9/423, 501, 503, 517, 633, 721, 738,
D9/742, 772; D34/5, 6, 11
CPC A45C 7/0059; A45C 3/00; A45C 9/00;
A45C 13/04; A45C 2009/007; A45C
2003/008; B65D 33/02; B65D 33/007;
(Continued)

(56) **References Cited**

U.S. PATENT DOCUMENTS

440,656 A 11/1890 Sefton
2,533,539 A 7/1945 Vivian
(Continued)

OTHER PUBLICATIONS

Barre, Bertrand et al., U.S. Appl. No. 15/884,435 entitled "Totable Container With Enhanced Capacity Lid", filed Jan. 31, 2018, having

a common applicant, assignee and inventors with the present application.

(Continued)

Primary Examiner — Michelle E. Wilson

(74) *Attorney, Agent, or Firm* — Patzik, Frank & Samotny Ltd.

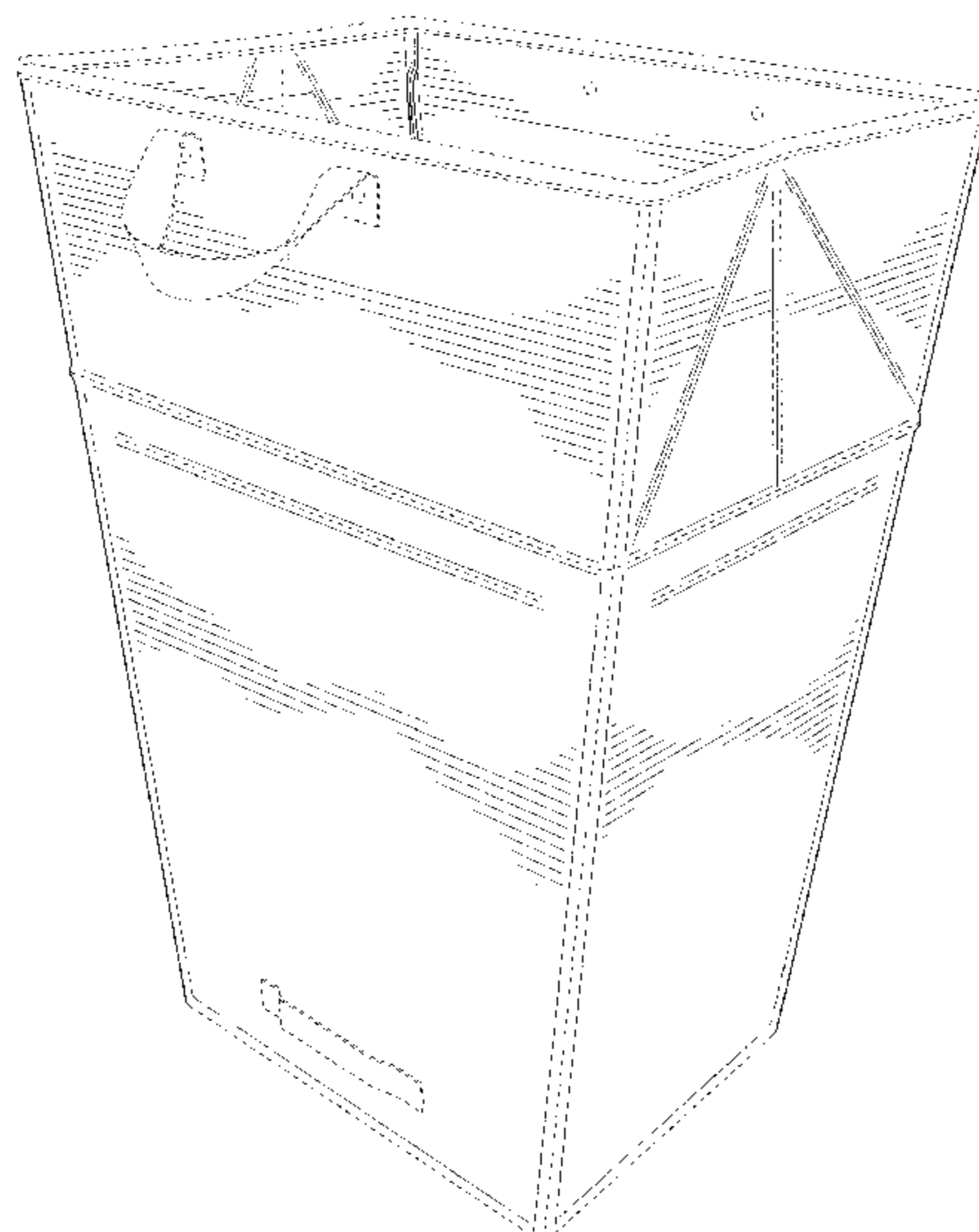
(57) **CLAIM**

The ornamental design for a garment hamper, as shown and described.

DESCRIPTION

FIG. 1 is a front perspective view of the garment hamper of the present invention, shown in a first configuration; FIG. 2 is a front elevation view of the garment hamper of the present invention, shown in the first configuration, the rear elevation view being a mirror image thereof; FIG. 3 is a left-side elevation view of the garment hamper of the present invention, shown in the first configuration, the right-side elevation view being a mirror image thereof; FIG. 4 is a top plan view of the garment hamper of the present invention, shown in the first configuration; FIG. 5 is a bottom plan view of the garment hamper of the present invention, shown in the first configuration; FIG. 6 is a front perspective view of the garment hamper of the present invention, shown in a second configuration; FIG. 7 is a front elevation view of the garment hamper of the present invention, shown in the second configuration, the rear elevation view being a mirror image thereof; FIG. 8 is a left-side elevation view of the garment hamper of the present invention, shown in the second configuration, the right-side elevation view being a mirror image thereof; FIG. 9 is a top plan view of the garment hamper of the present invention, shown in the second configuration; and, FIG. 10 is a bottom plan view of the garment hamper of the present invention, shown in the second configuration. The portions of the garment hamper shown in broken lines form no part of the claimed design.

1 Claim, 10 Drawing Sheets



- (58) **Field of Classification Search**
 CPC B65D 33/10; B65D 29/00; B65B 67/125;
 D06F 95/002
 See application file for complete search history.

(56) **References Cited**
 U.S. PATENT DOCUMENTS

2,714,911	A	8/1955	Fontana	
4,307,834	A	12/1981	Roccaforte	
D275,618	S *	9/1984	Agard	D3/295
D279,038	S *	5/1985	Thompson, Jr.	D32/37
4,560,096	A *	12/1985	Lucas	B62B 3/1464
				220/9.4
4,588,154	A *	5/1986	Basore	B65B 67/1244
				211/206
D290,538	S *	6/1987	Basore	D32/37
D304,252	S *	10/1989	Ferguson	D32/37
D342,365	S *	12/1993	Conaway	D32/37
5,413,273	A	5/1995	Money	
6,948,632	B2	9/2005	Kellogg	

D552,351	S *	10/2007	Bauers	D21/721
D703,895	S *	4/2014	Wang	D32/37
8,905,411	B1 *	12/2014	Blanton	B62B 3/106
				280/33.991
D721,232	S *	1/2015	Krotts	D3/305
D728,940	S *	5/2015	Krotts	D3/305
D732,778	S *	6/2015	Taulman	D32/37
9,144,278	B2 *	9/2015	Morrow	A45C 3/04
D761,012	S *	7/2016	Quarless	D3/232
D787,767	S *	5/2017	Wall	D32/37
10,011,292	B2 *	7/2018	Strawser	B62B 3/1464
D827,960	S *	9/2018	Barre	D32/37
2002/0181806	A1	12/2002	Godshaw	
2018/0266046	A1 *	9/2018	Barre	D06F 95/002

OTHER PUBLICATIONS

Barre, Bertrand et al., U.S. Appl. No. 29/635,434 entitled "Garment Hamper", filed Jan. 31, 2018, having a common applicant, assignee and inventors with the present application.

* cited by examiner

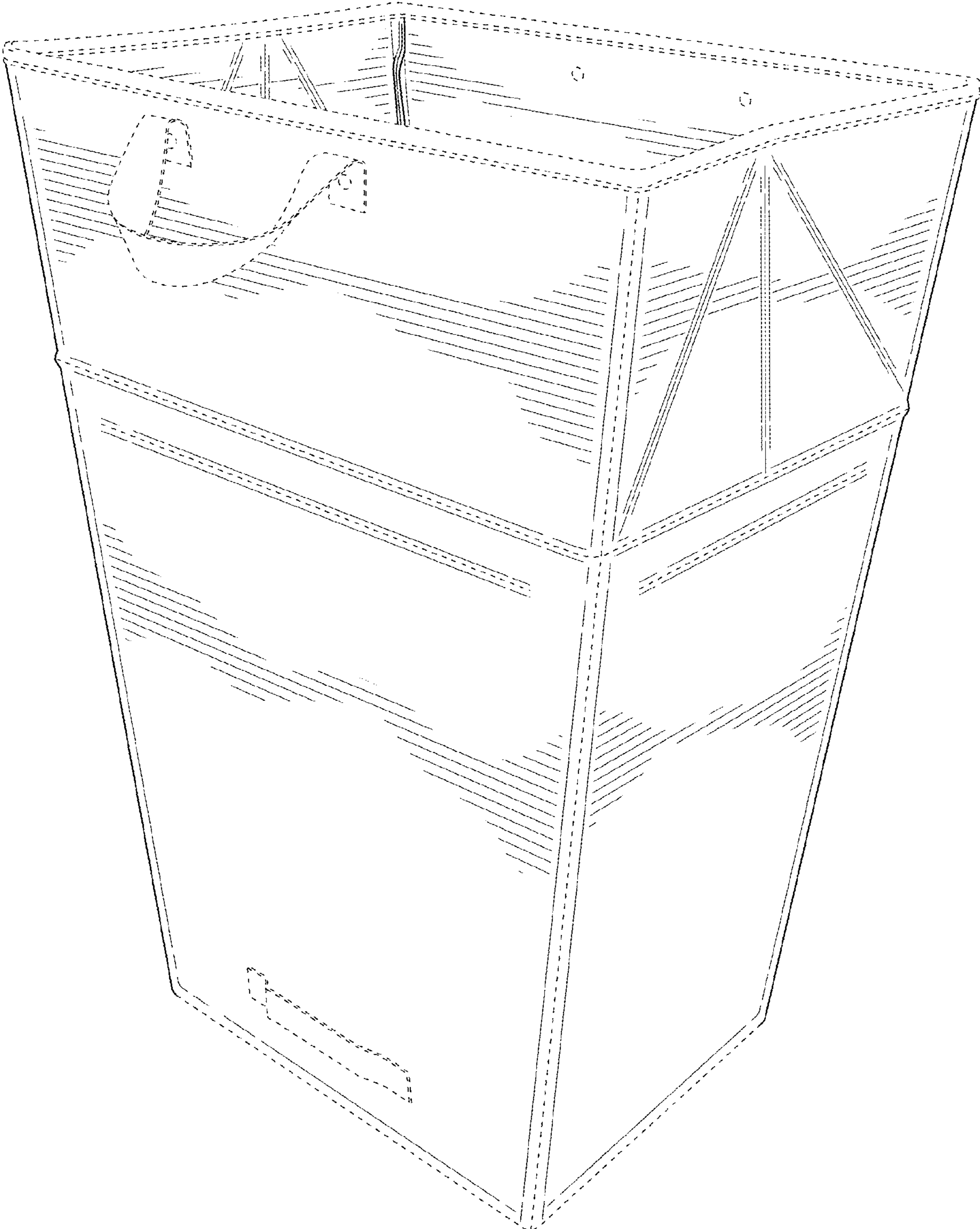


FIG. 1

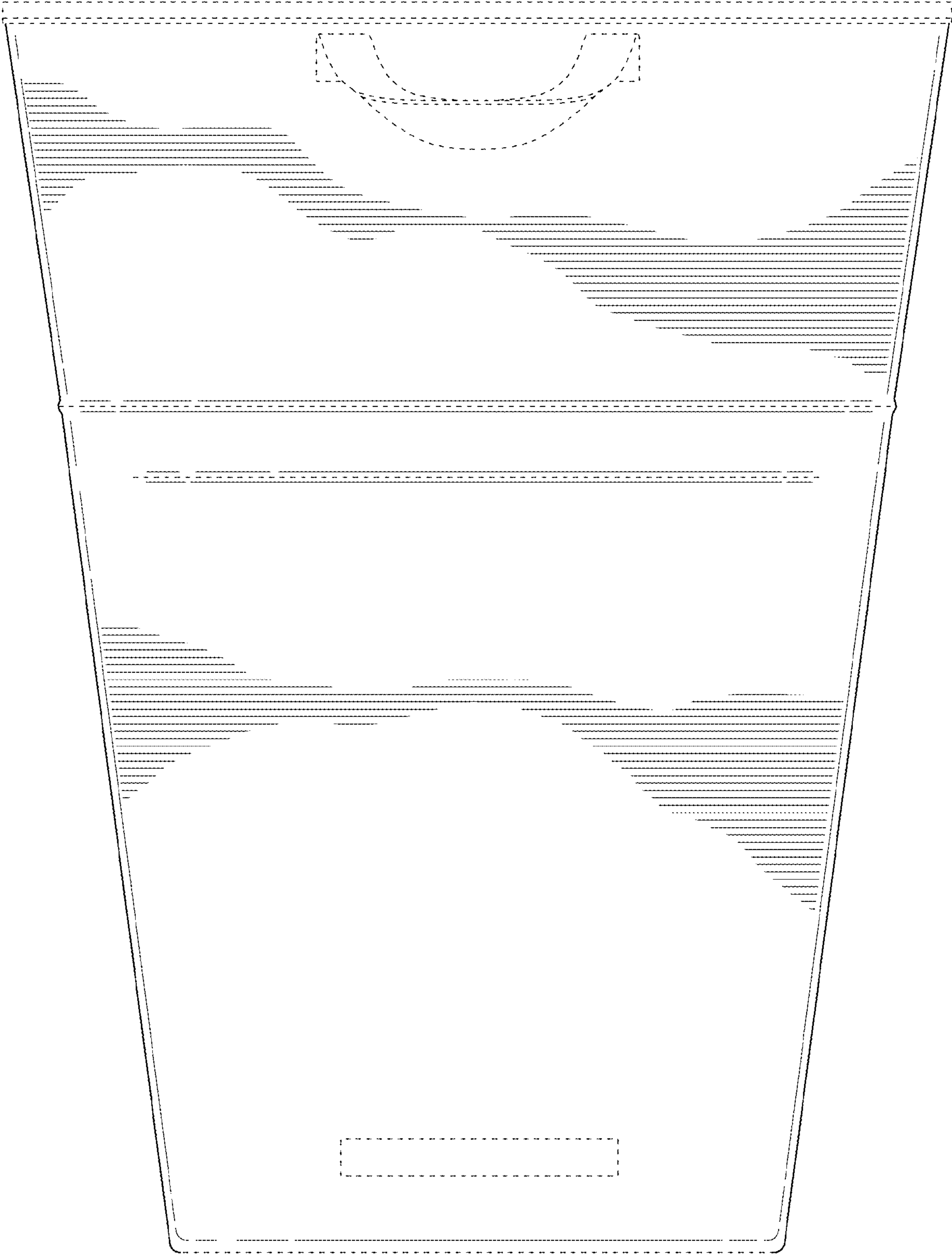


FIG. 2

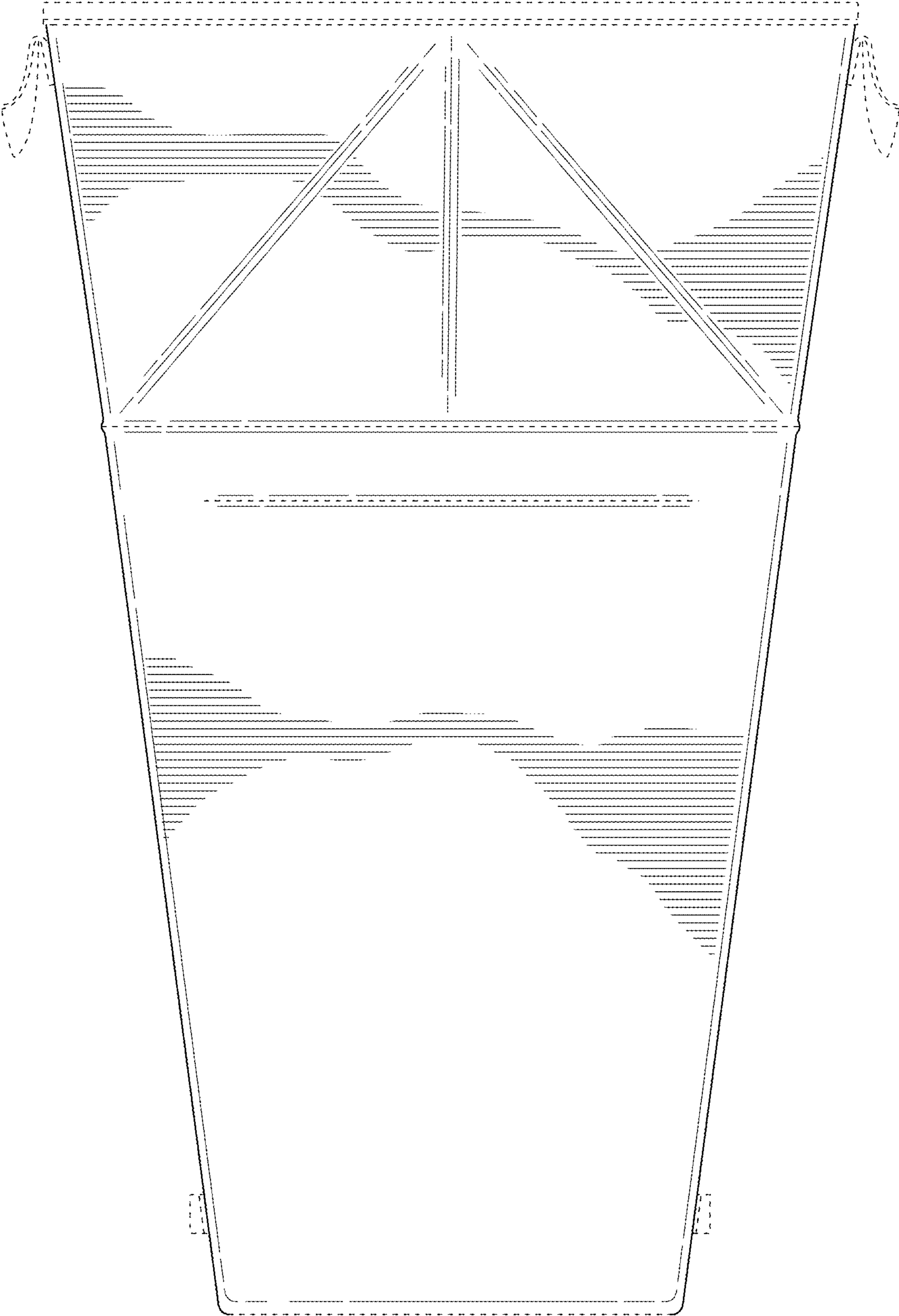


FIG. 3

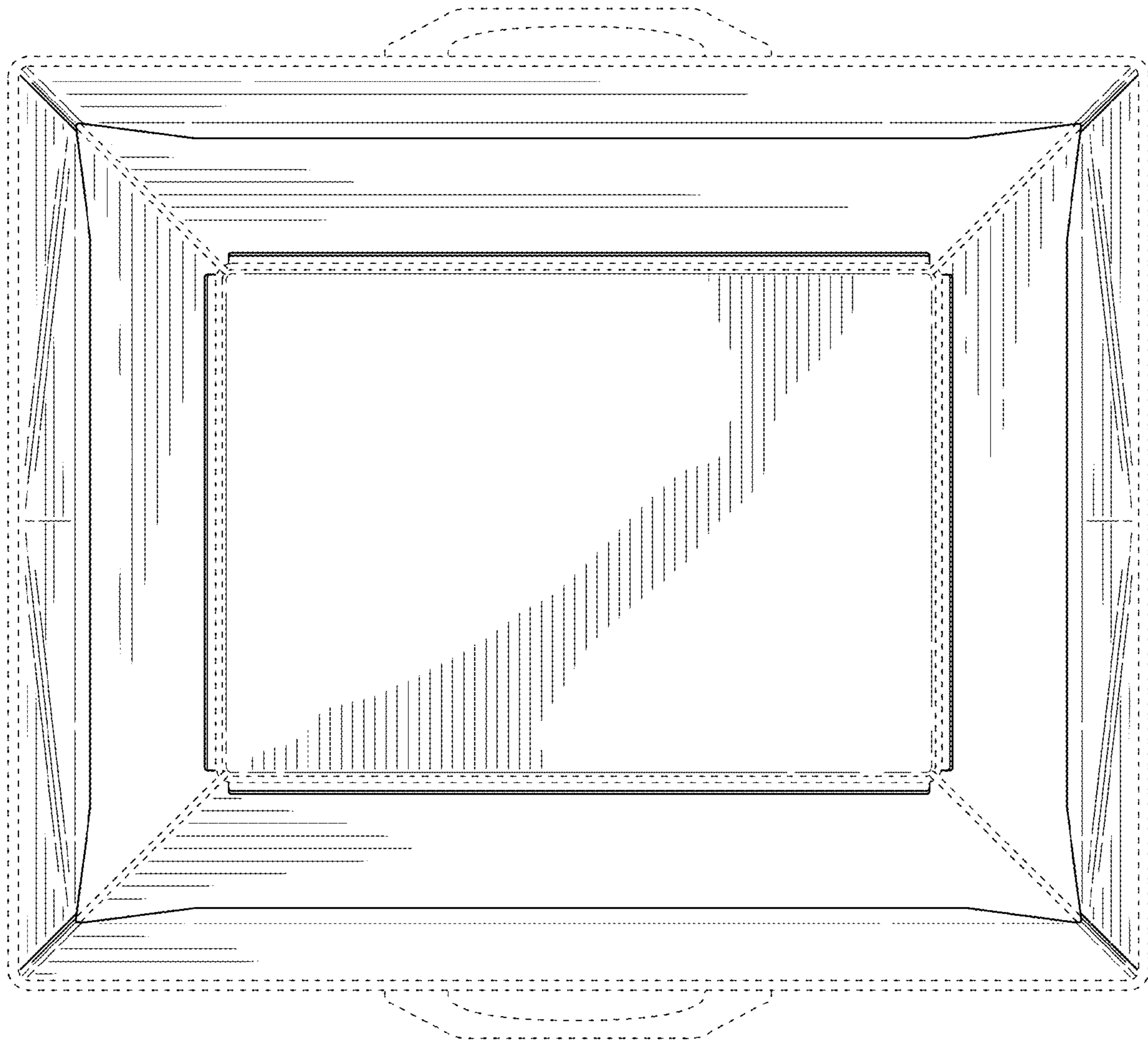


FIG. 4

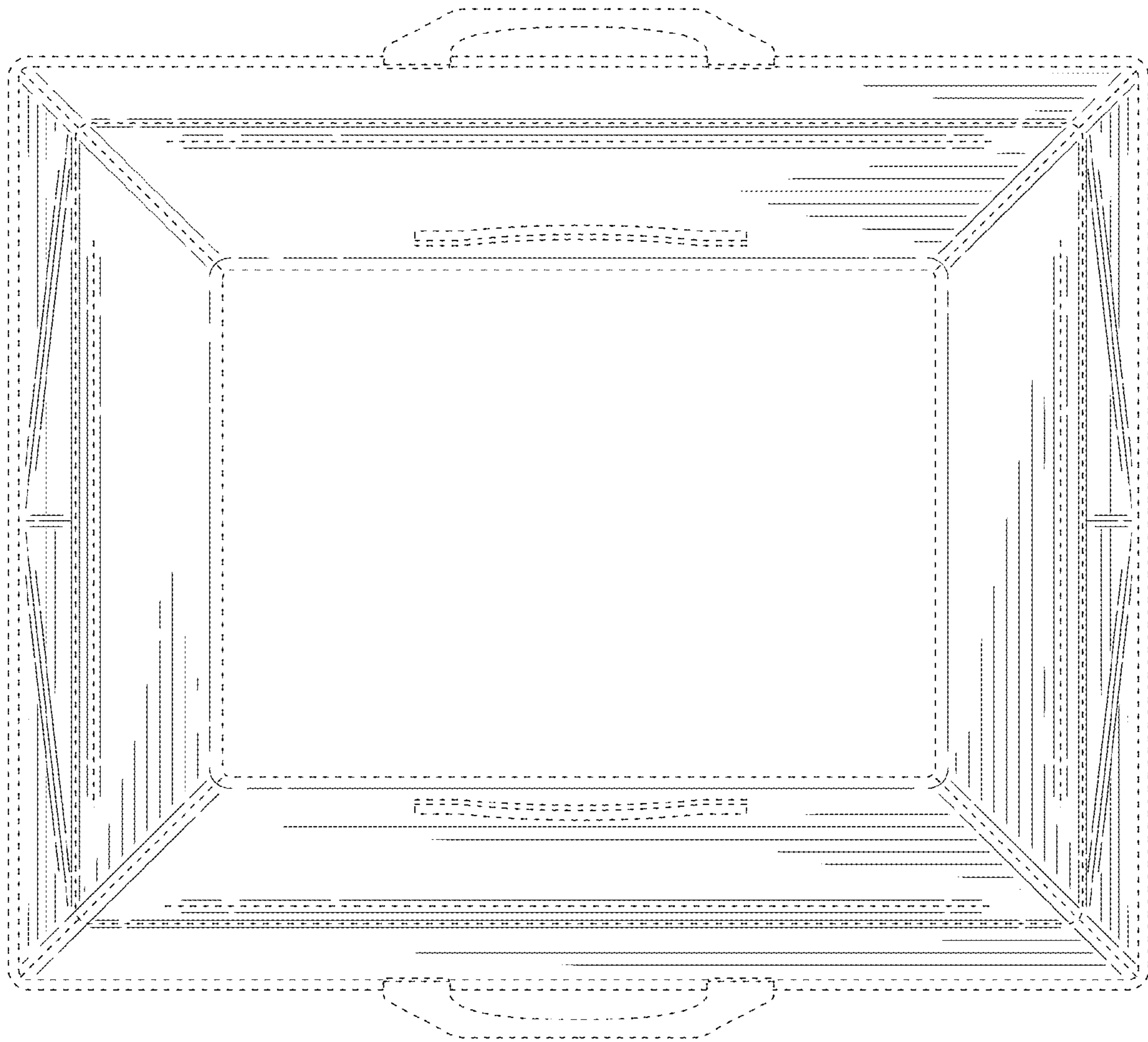


FIG. 5

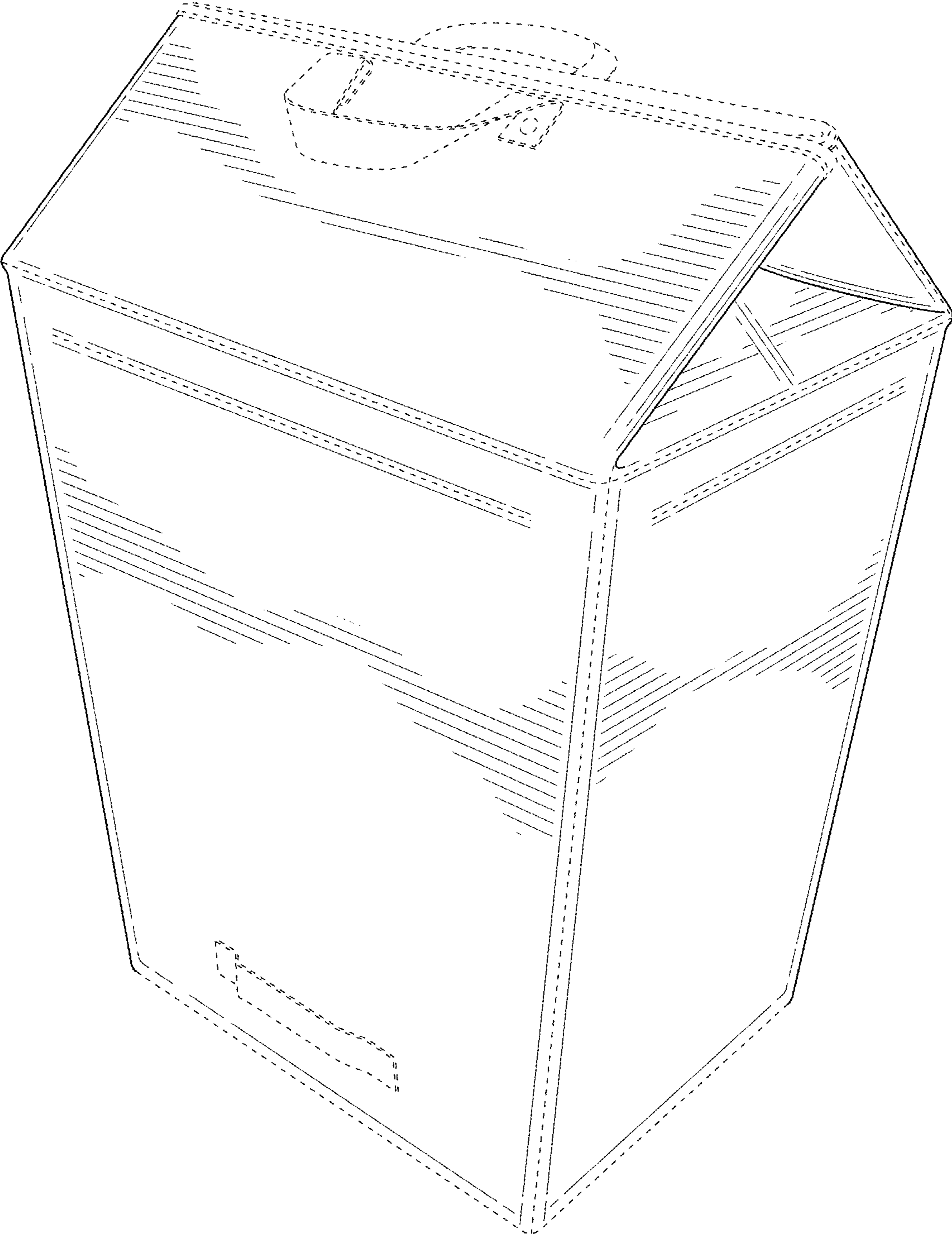


FIG. 6

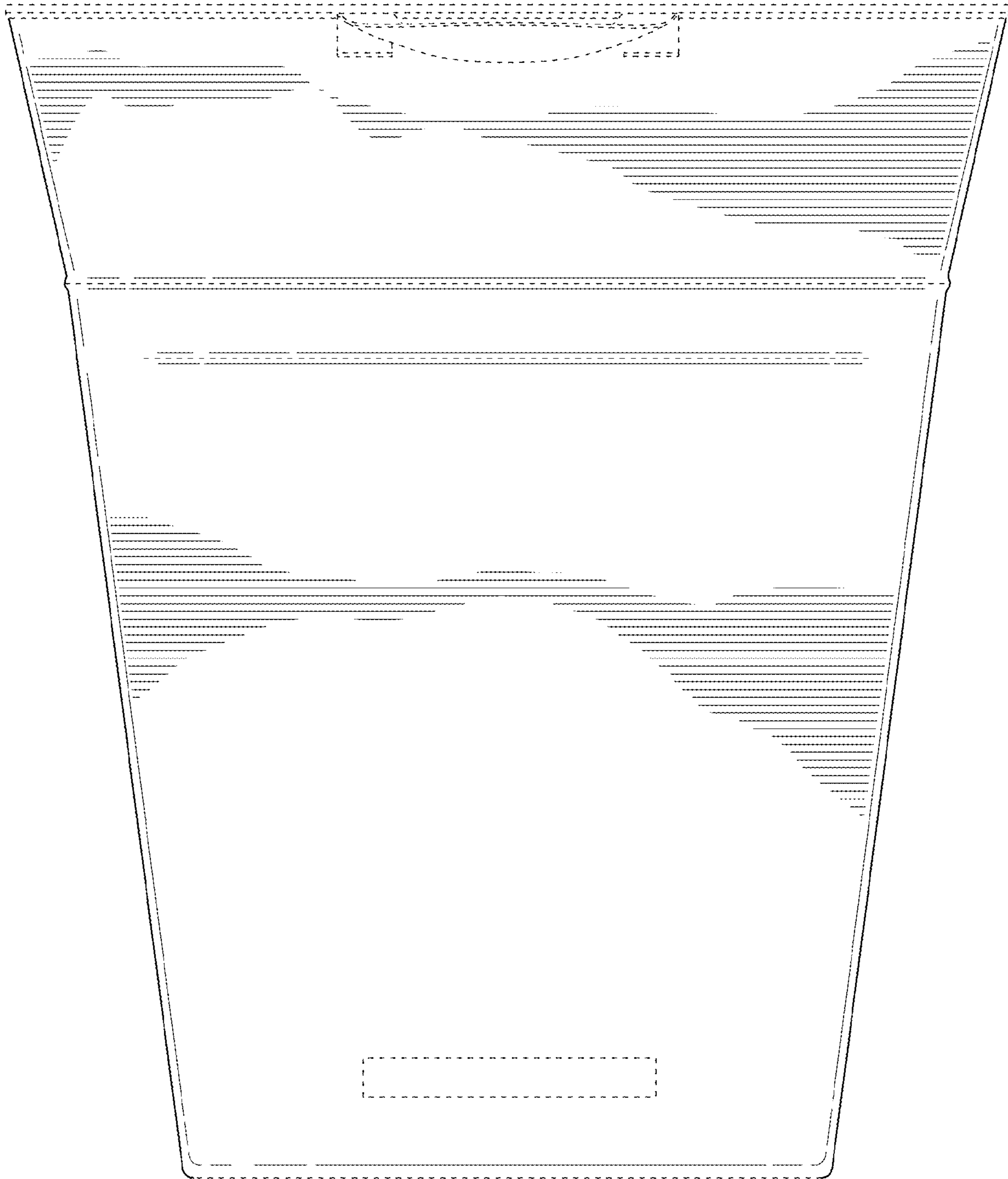


FIG. 7

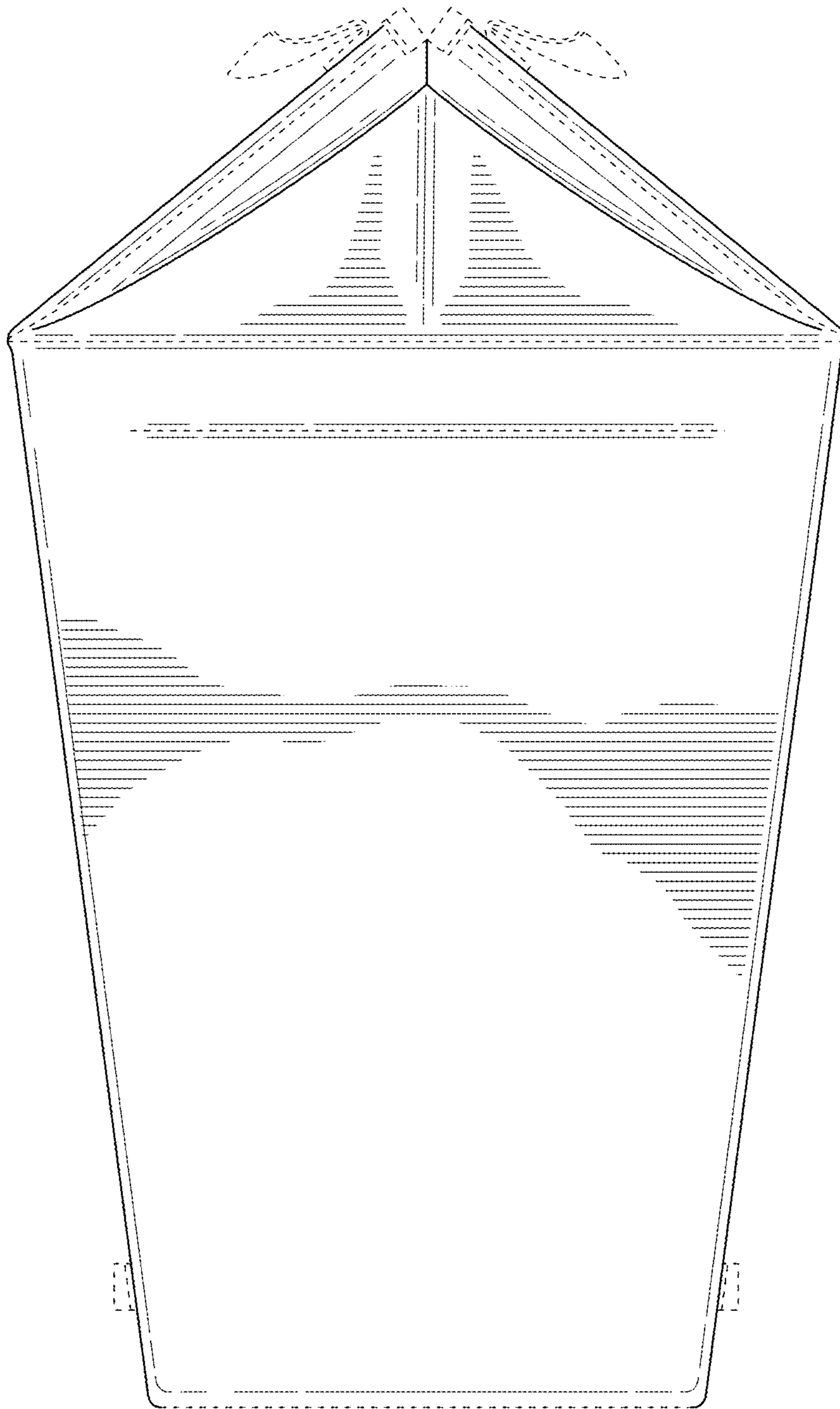


FIG. 8

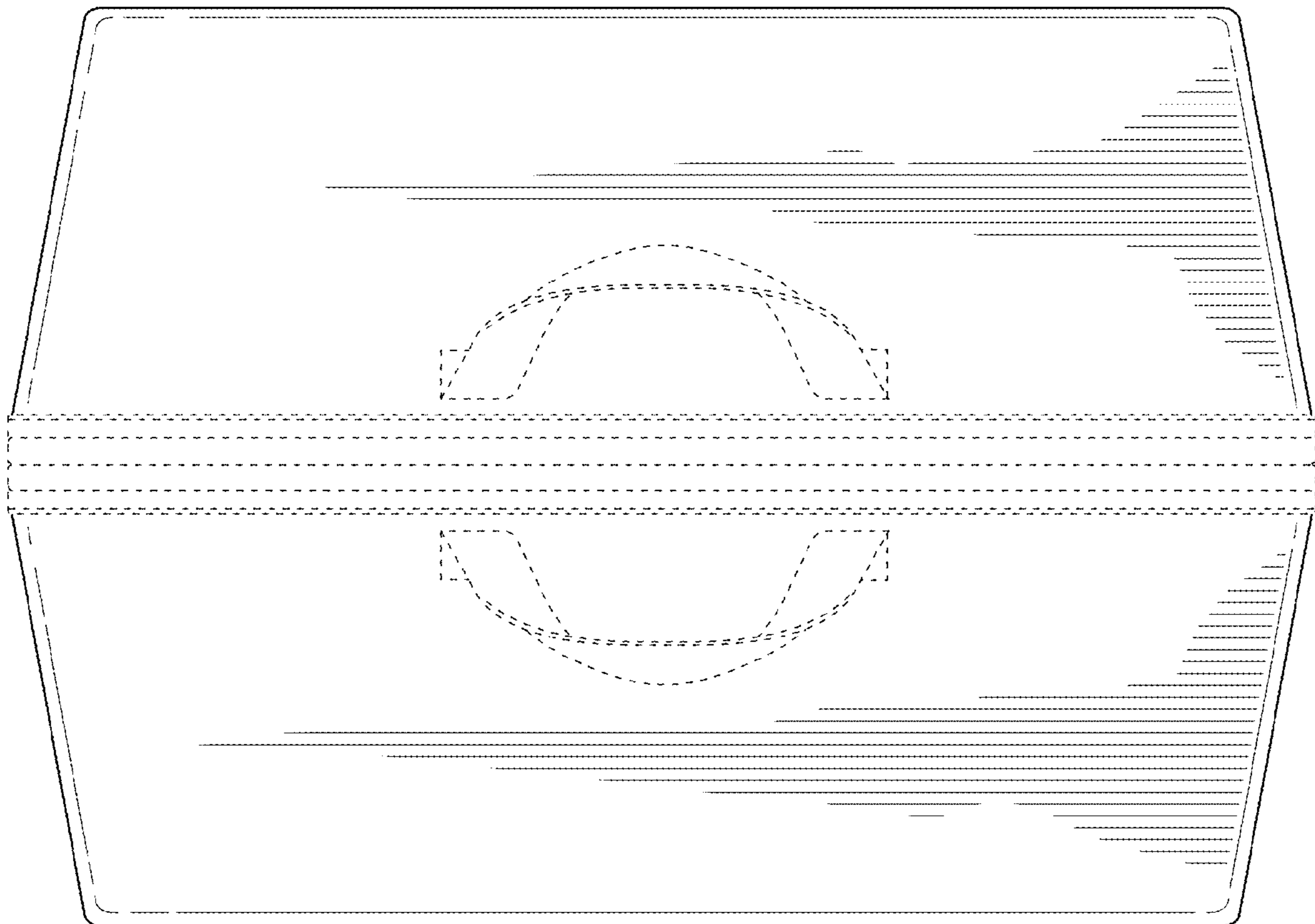


FIG. 9

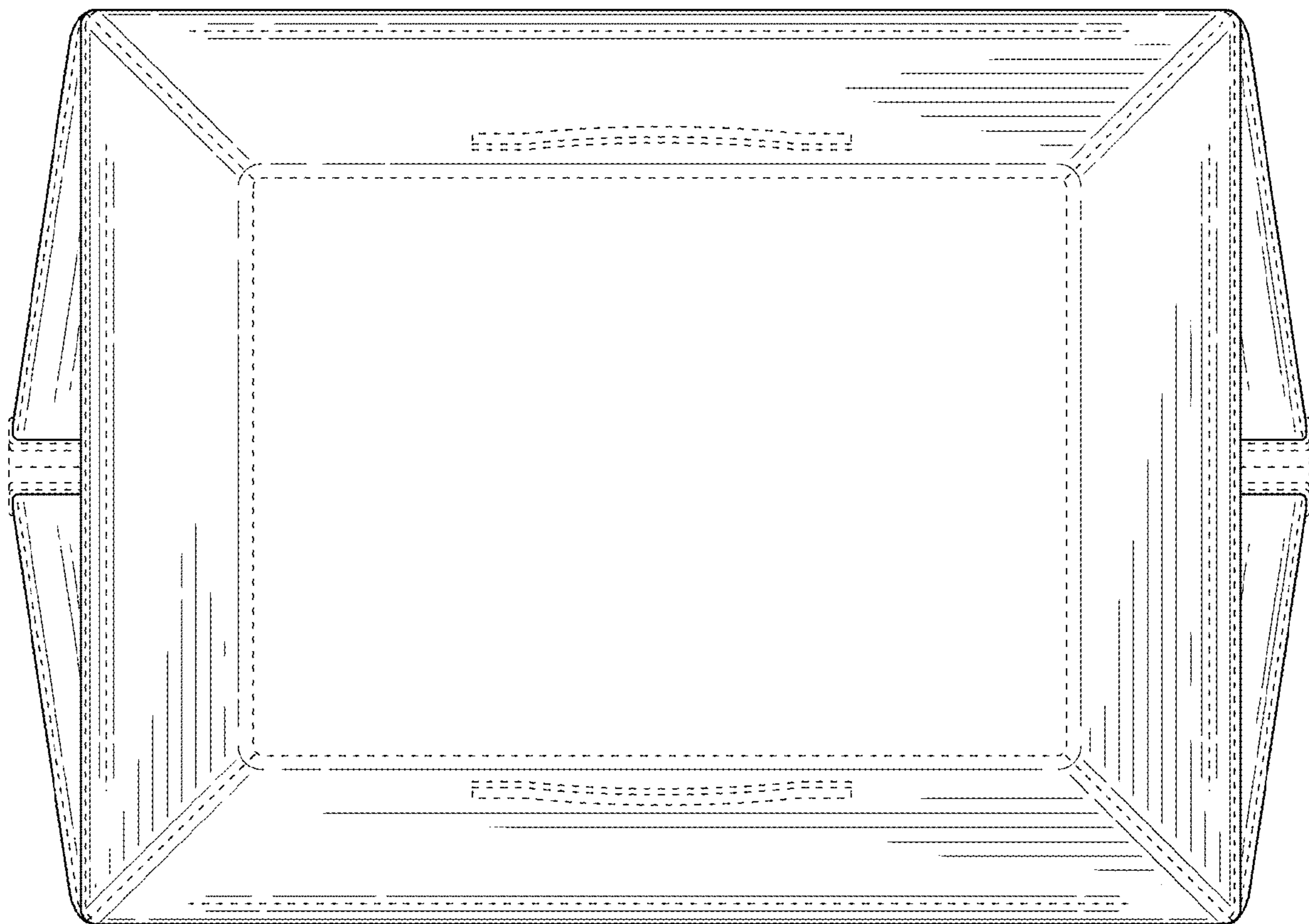


FIG. 10