



US00D880793S

(12) **United States Design Patent**
Ducette, Jr. et al.

(10) **Patent No.:** **US D880,793 S**
(45) **Date of Patent:** **** Apr. 7, 2020**

- (54) **LARGE BORE VACUUM ADAPTER WITH SPRAY ASSEMBLY**
- (71) Applicant: **Warrior Technologies, LLC**, Midland, TX (US)
- (72) Inventors: **Billy Lamar Ducette, Jr.**, Snyder, TX (US); **Ryan Dane Hale**, Snyder, TX (US); **Cooper Sed Wadleigh**, Snyder, TX (US); **Corey Marvin Longorio**, Snyder, TX (US)
- (73) Assignee: **Warrior Technologies, LLC**, Midland, TX (US)
- (**) Term: **15 Years**
- (21) Appl. No.: **29/709,038**
- (22) Filed: **Oct. 10, 2019**

Related U.S. Application Data

- (62) Division of application No. 29/662,775, filed on Sep. 7, 2018.
- (51) **LOC (12) Cl.** **15-05**
- (52) **U.S. Cl.**
USPC **D32/32**
- (58) **Field of Classification Search**
USPC D32/31-33
CPC . A47L 9/02; A47L 9/04; A47L 9/0461; A47L 9/0693; A47L 9/0626; A47L 7/0009; B65G 51/00; B08B 9/0813; B08B 9/0808; B08B 3/024; B08B 5/04
See application file for complete search history.

References Cited

U.S. PATENT DOCUMENTS

- D264,139 S * 4/1982 Pearman, Jr. D32/33
- 4,729,146 A * 3/1988 Barr A47L 5/365
15/303

- D296,372 S * 6/1988 Toney D32/32
- D306,788 S * 3/1990 McAllister D32/32
- D347,504 S * 5/1994 Furcron D32/33
- D479,636 S * 9/2003 Kitts D32/32
- D540,994 S * 4/2007 Borges D32/33
- D590,111 S * 4/2009 Wiljanen D32/32
- D590,112 S * 4/2009 Sun D32/32
- 7,578,025 B2 * 8/2009 Kostreba A46B 13/008
15/321
- D666,373 S * 8/2012 Eden D32/32
- D674,978 S * 1/2013 Hill D32/32
- D701,011 S * 3/2014 Miller D32/32
- D725,856 S * 3/2015 Schultz D32/32
- D789,634 S * 6/2017 Witter D32/32
- 9,700,187 B2 * 7/2017 Schultz A47L 9/30
- D793,638 S * 8/2017 LaBarbera D32/32
- D804,755 S * 12/2017 Nam D32/33
- D852,443 S * 6/2019 Martin D32/33

* cited by examiner

Primary Examiner — Ruth McNroy

(74) *Attorney, Agent, or Firm* — Vinson & Elkins L.L.P.

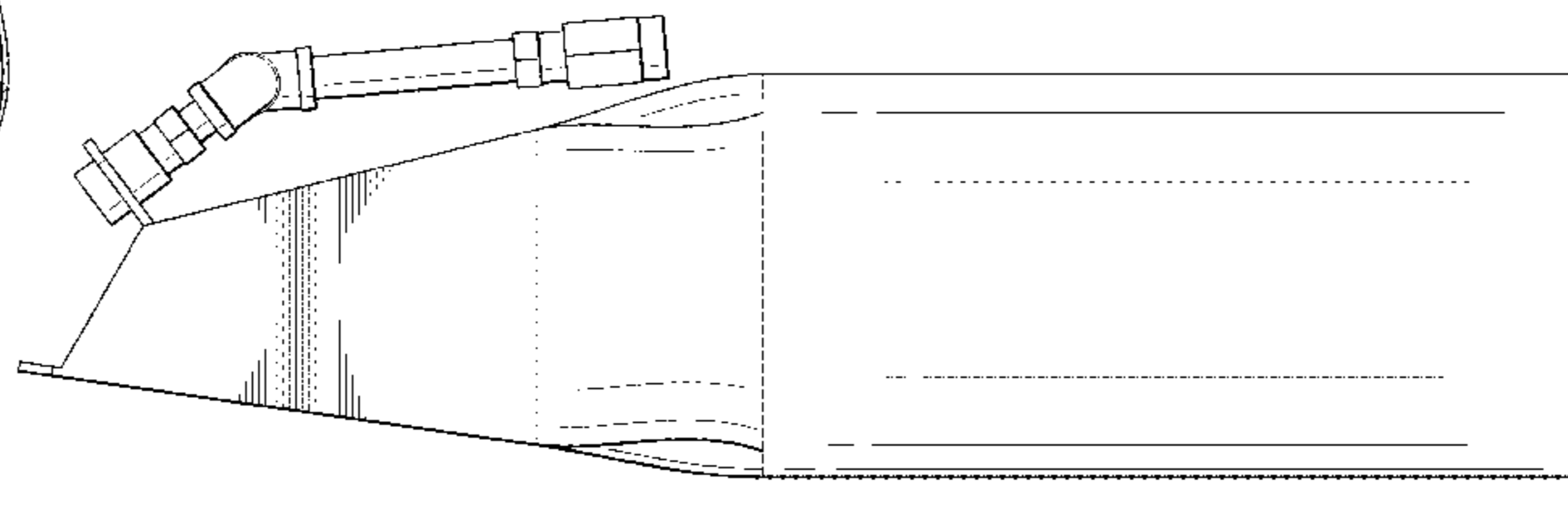
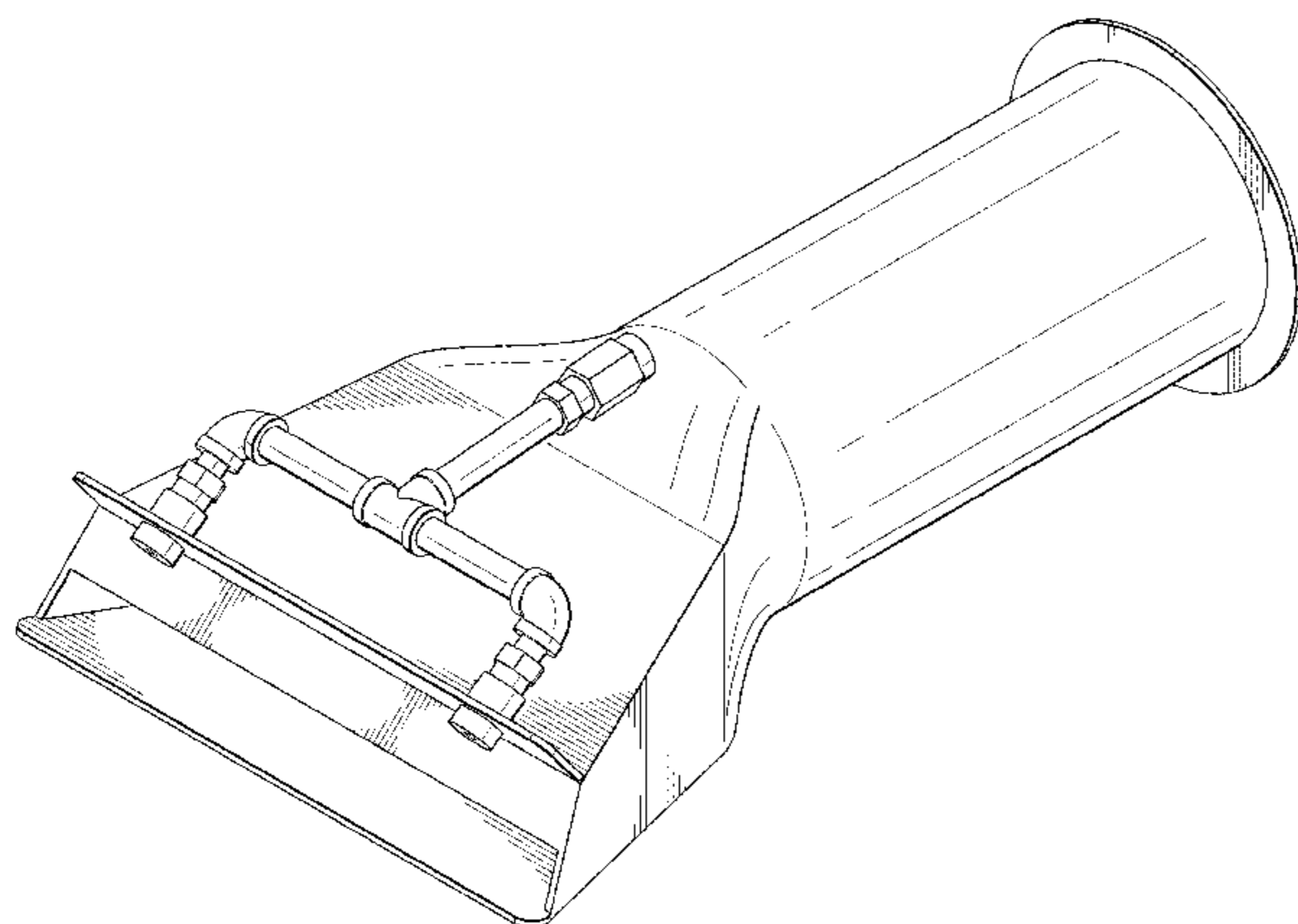
(57) **CLAIM**

An ornamental design for a large bore vacuum adapter with spray assembly, as shown and described.

DESCRIPTION

FIG. 1 is a front perspective view of a large bore vacuum adapter with spray assembly showing our new design;
 FIG. 2 is a front elevation view thereof;
 FIG. 3 is a rear elevation view thereof;
 FIG. 4 is a right side view thereof;
 FIG. 5 is a left side view thereof;
 FIG. 6 is a top view thereof;
 FIG. 7 is a bottom view thereof; and,
 FIG. 8 is a rear perspective view thereof.

1 Claim, 7 Drawing Sheets



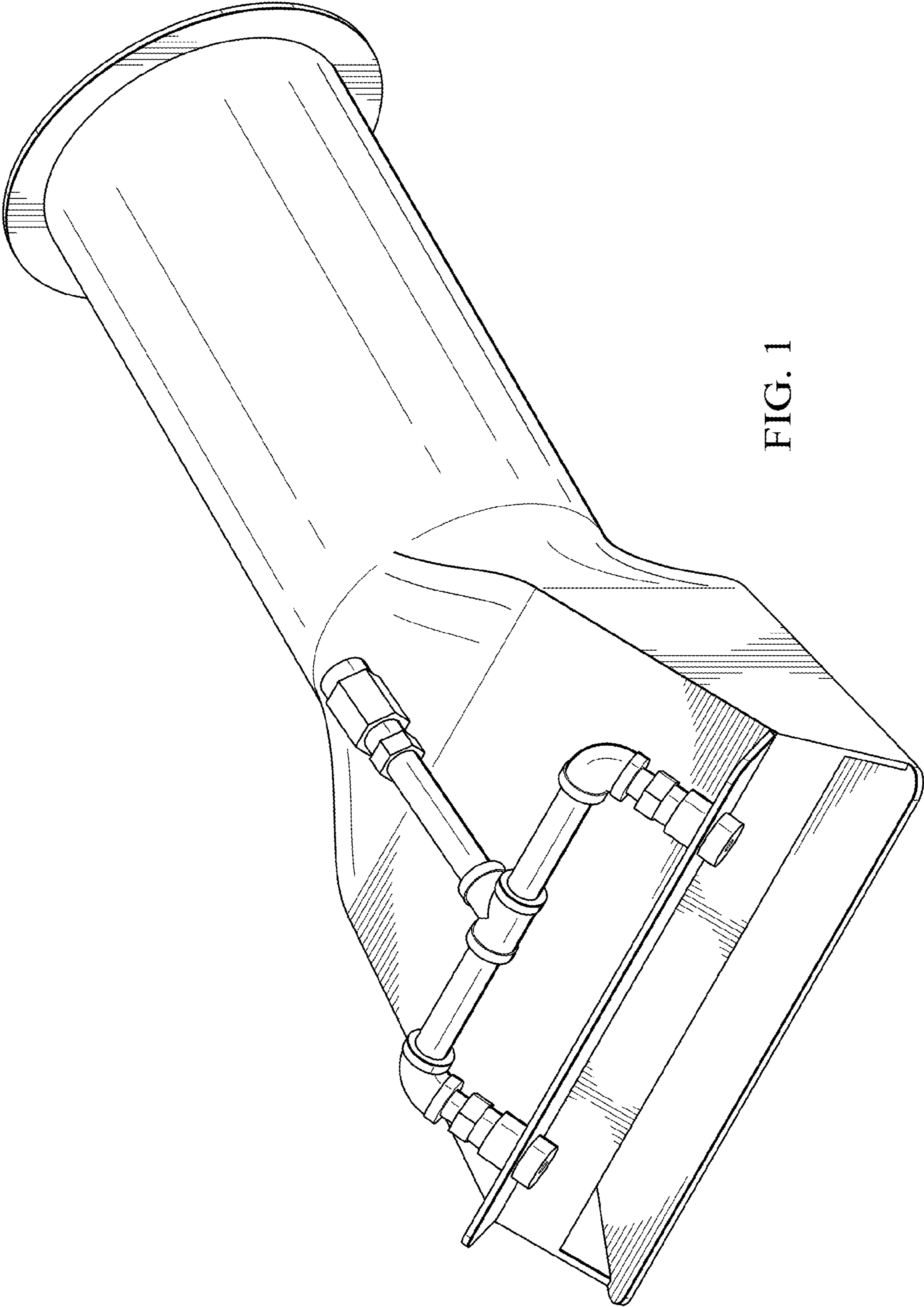


FIG. 1

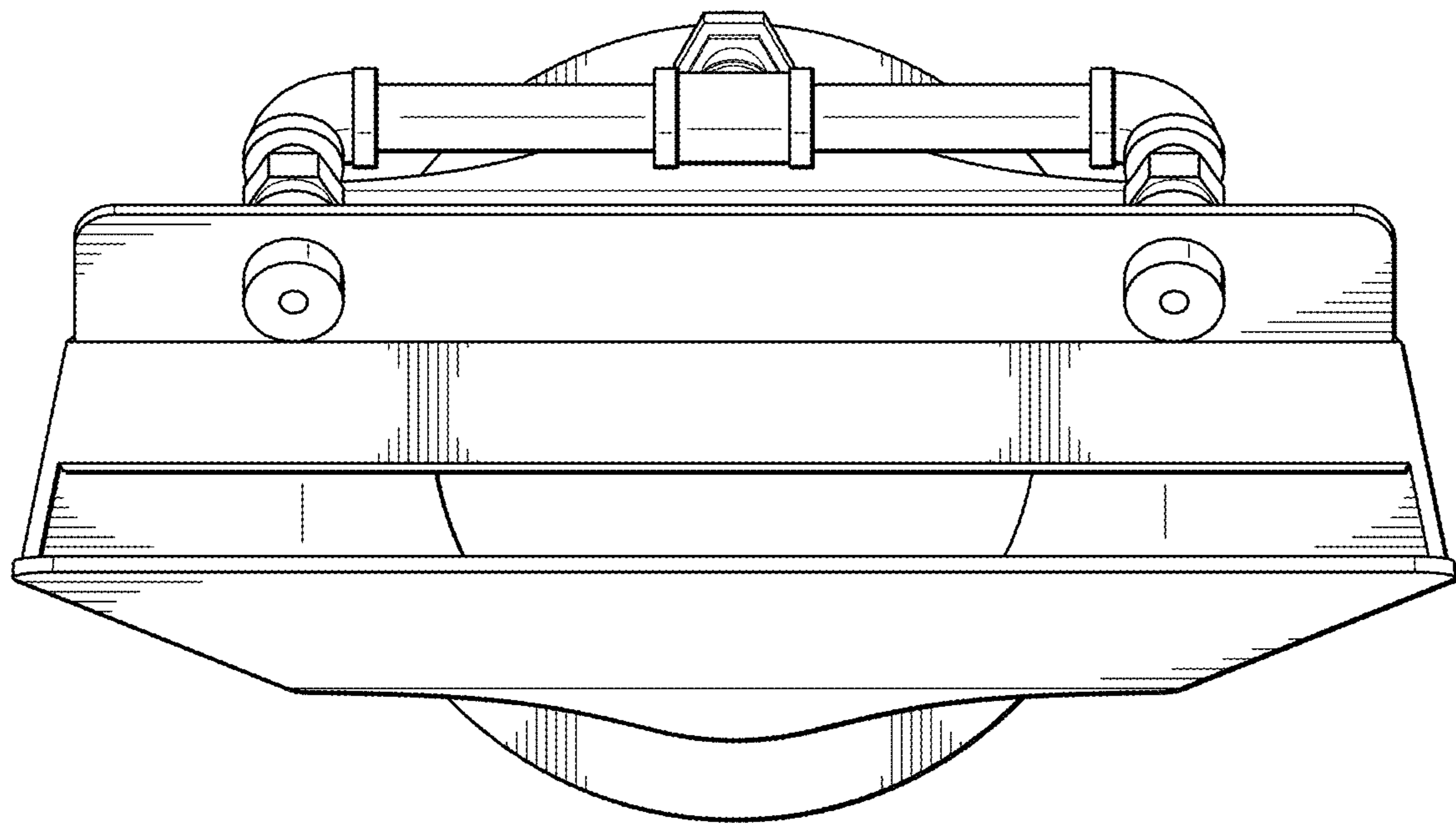


FIG. 2

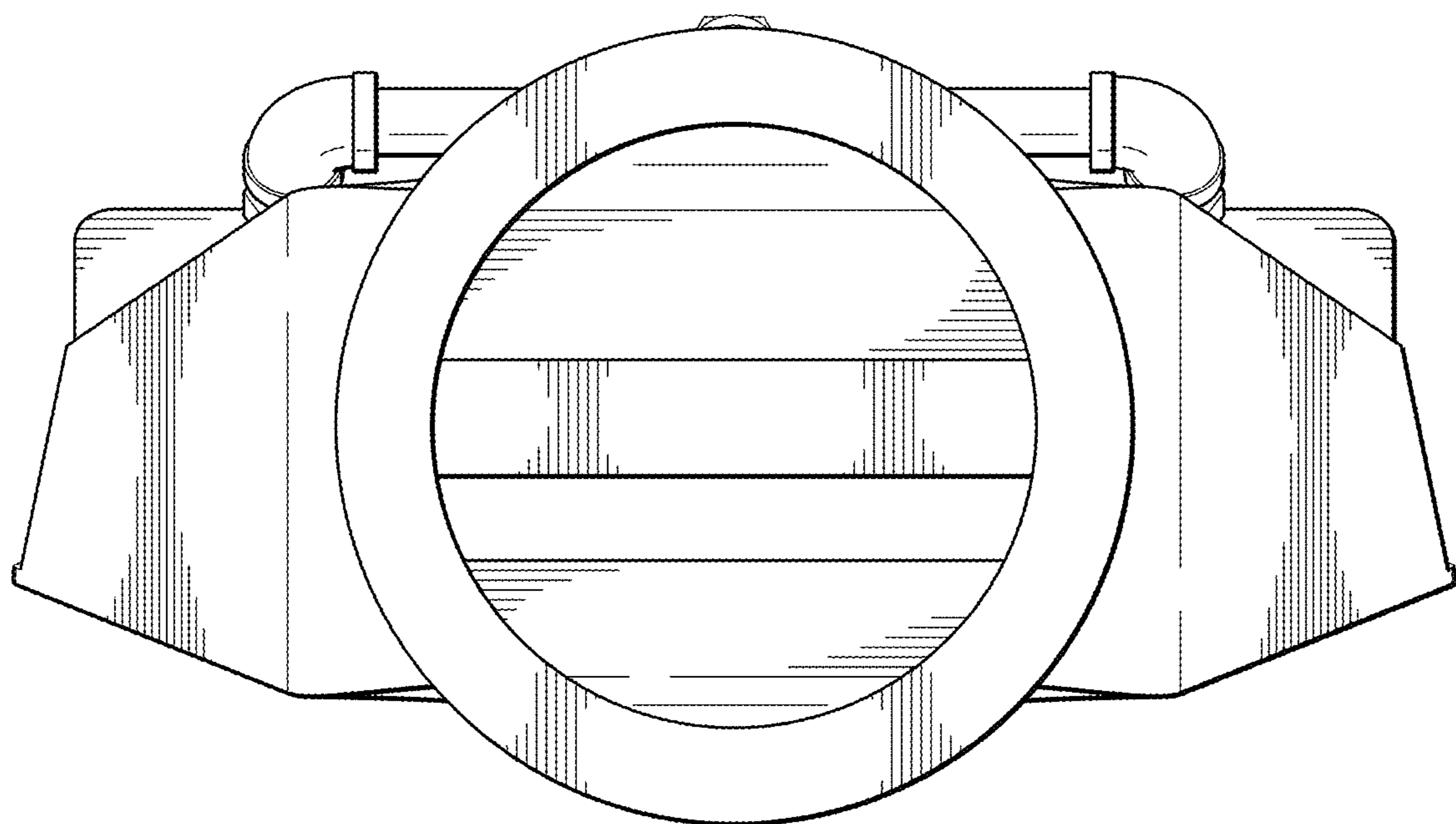


FIG. 3

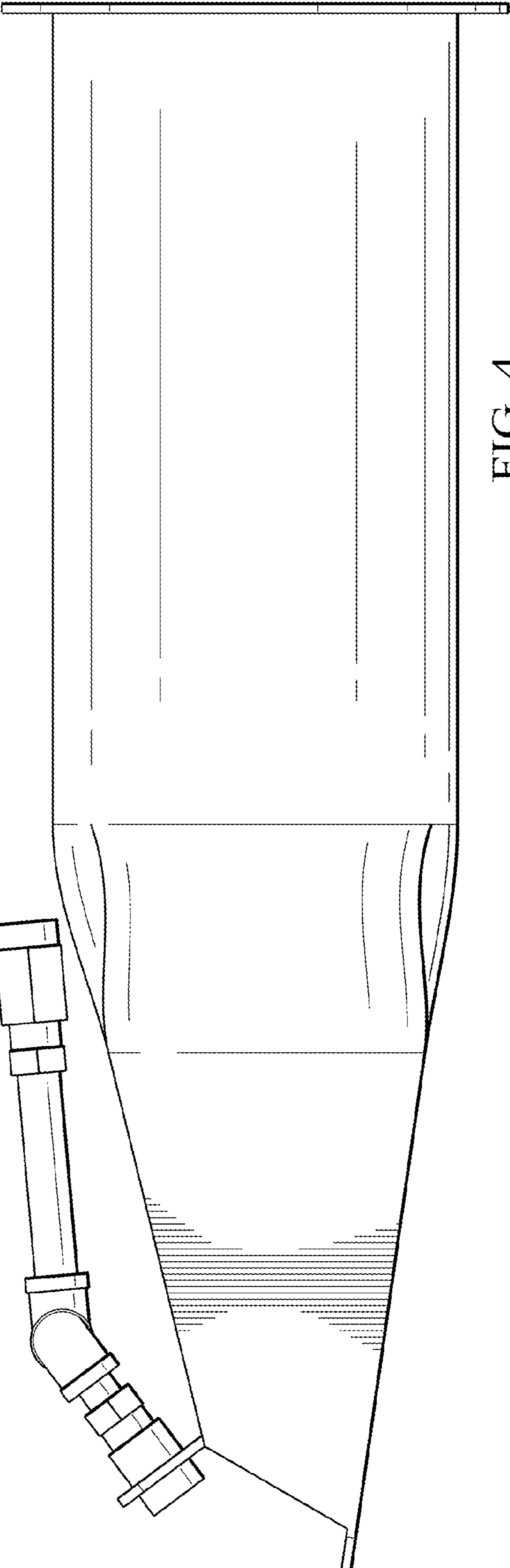


FIG. 4

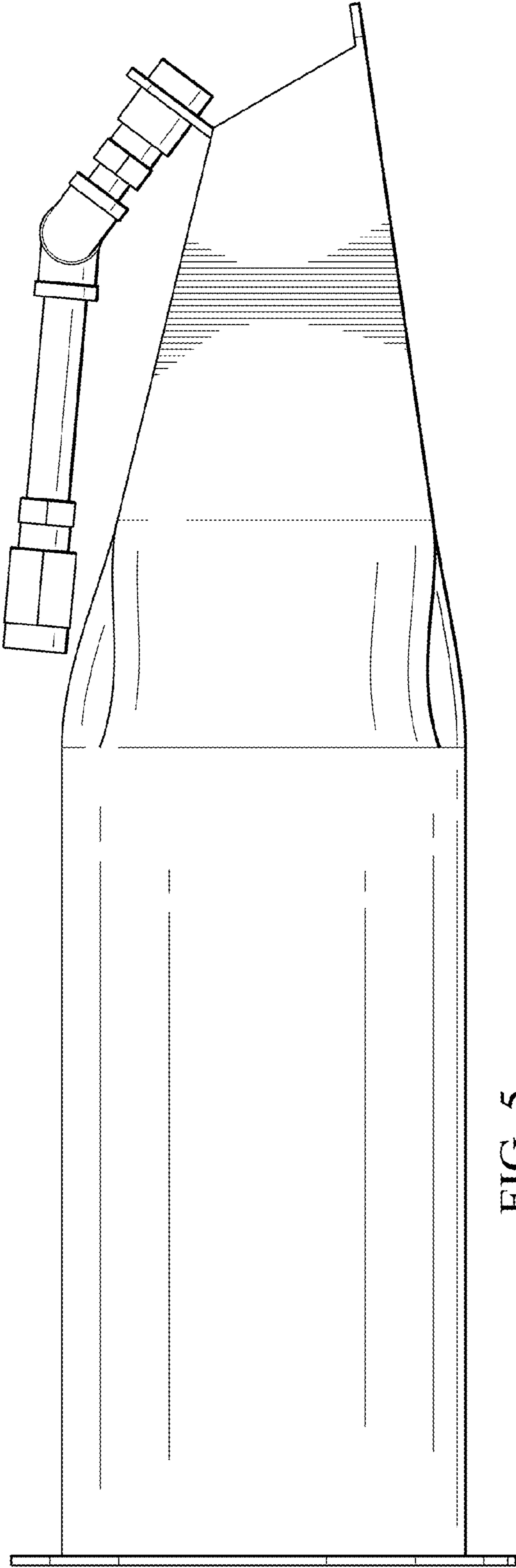
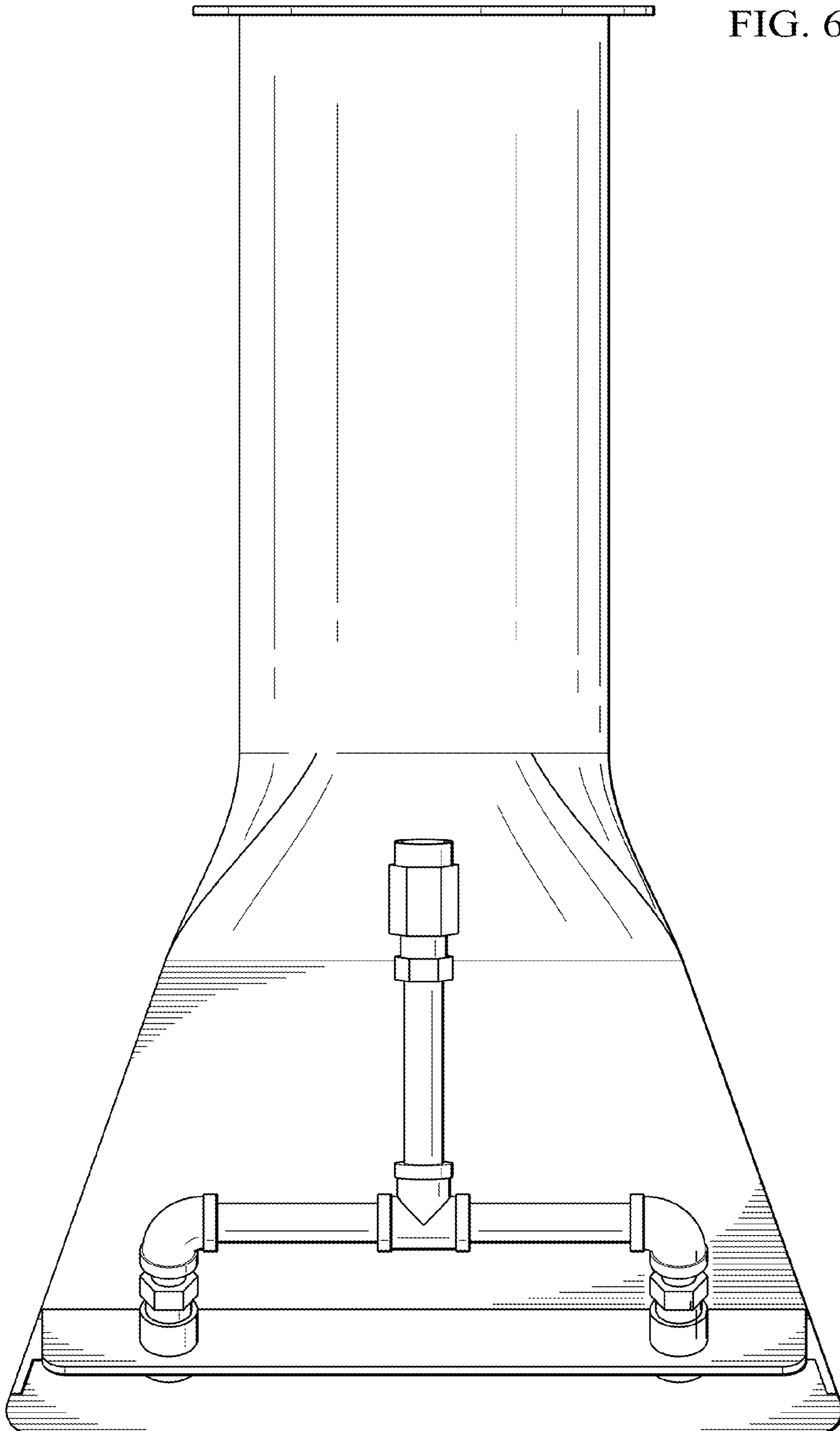


FIG. 5

FIG. 6



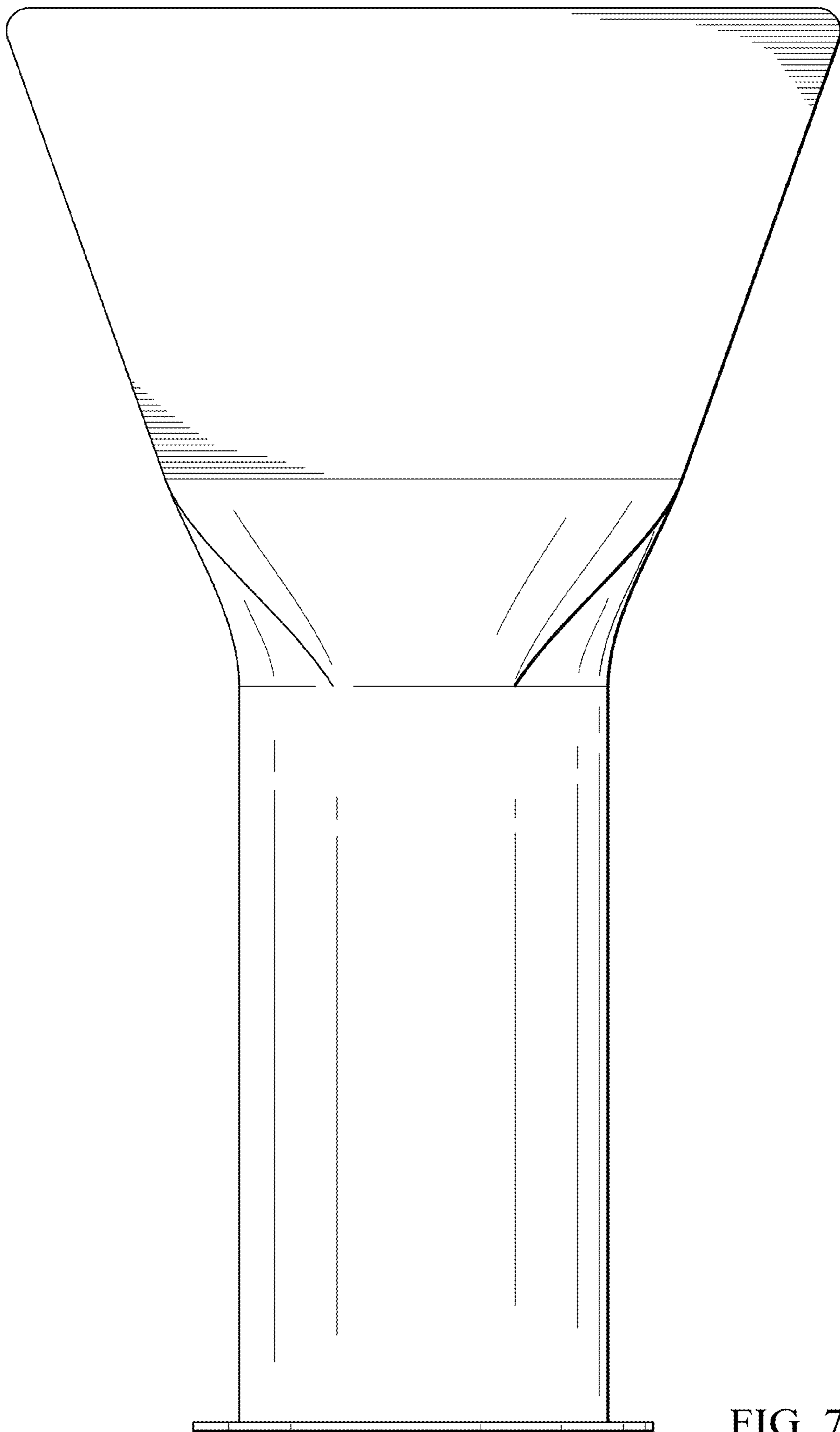


FIG. 7

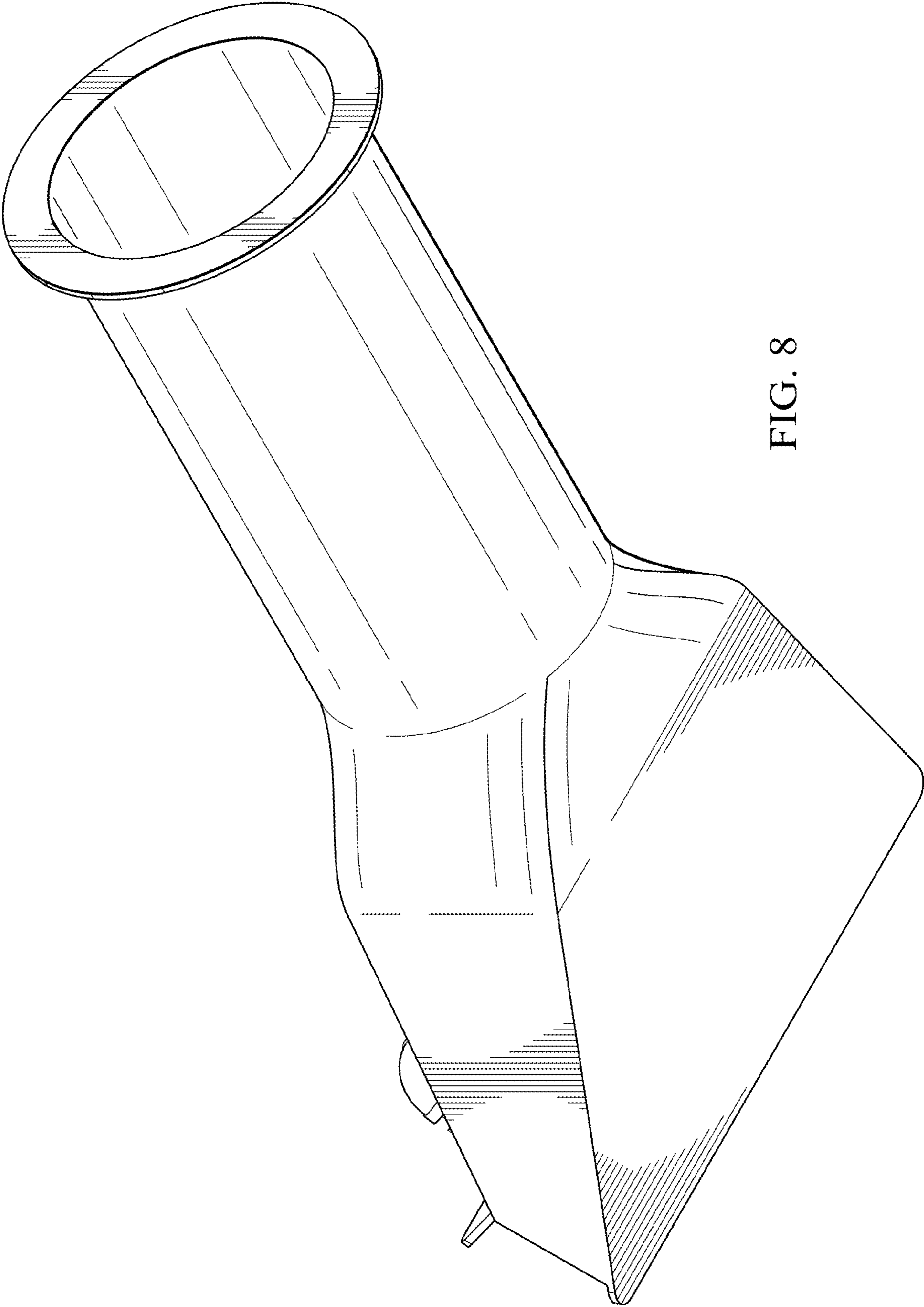


FIG. 8