



US00D880790S

(12) **United States Design Patent**
Maeda

(10) **Patent No.:** **US D880,790 S**

(45) **Date of Patent:** **** Apr. 7, 2020**

(54) **PET TOILET**

(71) Applicant: **IRIS OHYAMA INC.**, Sendai-shi,
Miyagi (JP)

(72) Inventor: **Rie Maeda**, Kakuda (JP)

(73) Assignee: **IRIS OHYAMA INC.**, Sendai-shi (JP)

(**) Term: **15 Years**

(21) Appl. No.: **29/619,095**

(22) Filed: **Sep. 27, 2017**

(30) **Foreign Application Priority Data**

May 9, 2017 (JP) 2017-009884

(51) **LOC (12) Cl.** **30-99**

(52) **U.S. Cl.**
USPC **D30/161**

(58) **Field of Classification Search**
USPC D30/108-120, 161, 162, 199; D3/304,
D3/314; 119/28.5, 161, 163, 165, 166,
119/167, 168, 169, 170, 452, 453, 482,
119/496, 498, 499, 702, 707
CPC A01K 1/0353; A01K 1/011; A01K 1/0114;
A01K 1/0107
See application file for complete search history.

(56) **References Cited**

U.S. PATENT DOCUMENTS

D300,967 S *	5/1989	Conner	D30/161
D319,117 S *	8/1991	Goetz	D30/161
D361,175 S *	8/1995	VanSkiver	D30/109
D527,498 S *	8/2006	Lewis, II	D30/161
D528,252 S *	9/2006	Van Skiver	D30/161
D575,907 S *	8/2008	Roderman	D30/108
7,490,578 B1 *	2/2009	Mottard	A01K 1/0107 119/161
D591,463 S *	4/2009	Plante	D30/161
D646,444 S *	10/2011	Lawson	D30/161
D651,772 S *	1/2012	Weber	D30/161

D782,755 S *	3/2017	Veness	D30/161
D783,908 S *	4/2017	Veness	D30/161
D808,597 S *	1/2018	Veness	D30/161
D813,472 S *	3/2018	Veness	D30/161

(Continued)

OTHER PUBLICATIONS

An Office Action; "Notice of Allowance", issued by the Japanese Patent Office dated Nov. 28, 2017, which corresponds to Japanese Design Application No. 2017-009884; with English language Concise Explanation.

(Continued)

Primary Examiner — Sandra S Snapp

Assistant Examiner — Mehri F Bajoul

(74) *Attorney, Agent, or Firm* — Studebaker & Brackett
PC

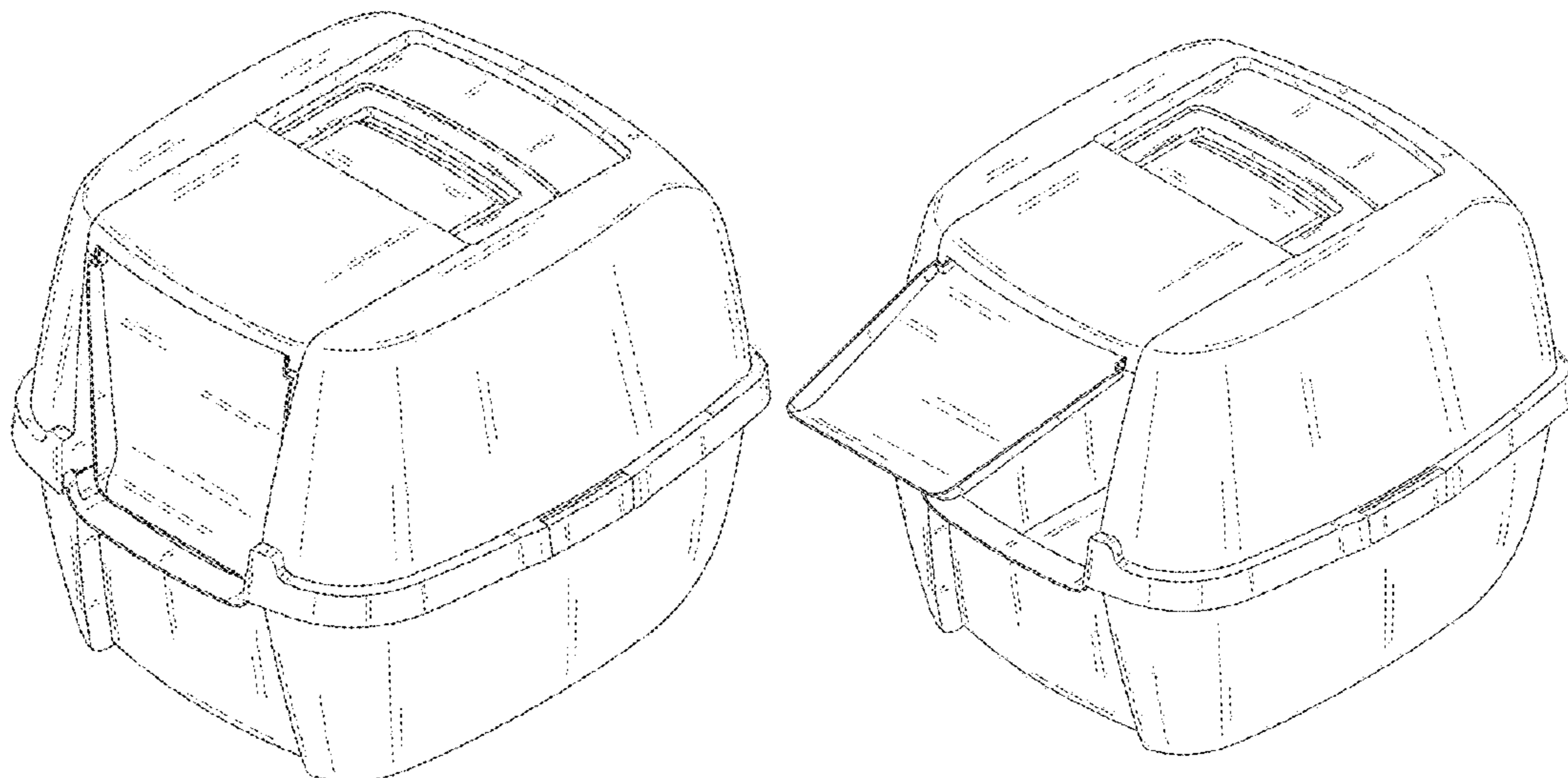
(57) **CLAIM**

The ornamental design for a pet toilet, as shown and described.

DESCRIPTION

FIG. 1 is a front, top and right-side perspective view of a pet toilet showing my new design;
FIG. 2 is a front view thereof;
FIG. 3 is a rear view thereof;
FIG. 4 is a top view thereof;
FIG. 5 is a bottom view thereof;
FIG. 6 is a right-side view thereof, with the left-side view being a mirror image thereof;
FIG. 7 is a cross-sectional view taken along line 7-7 in FIG. 2;
FIG. 8 is a cross-sectional view taken along line 8-8 in FIG. 4; and,
FIG. 9 is a front, top and right-side perspective view of the pet toilet in an alternate position.
The broken lines show portions of the pet toilet that form no part of the claimed design.

1 Claim, 9 Drawing Sheets



(56)

References Cited

U.S. PATENT DOCUMENTS

2005/0183672 A1* 8/2005 Lewis, II A01K 1/0107
119/165
2011/0297096 A1* 12/2011 Northrop A01K 1/0107
119/165
2012/0137980 A1* 6/2012 Veness A01K 1/0107
119/165
2015/0122189 A1* 5/2015 Sweetman A01K 1/0107
119/165

OTHER PUBLICATIONS

Amazon.com, publications on website (Japan Patent Office, Design patent publicly-known reference No. HJ21007826).

* cited by examiner

FIG. 1

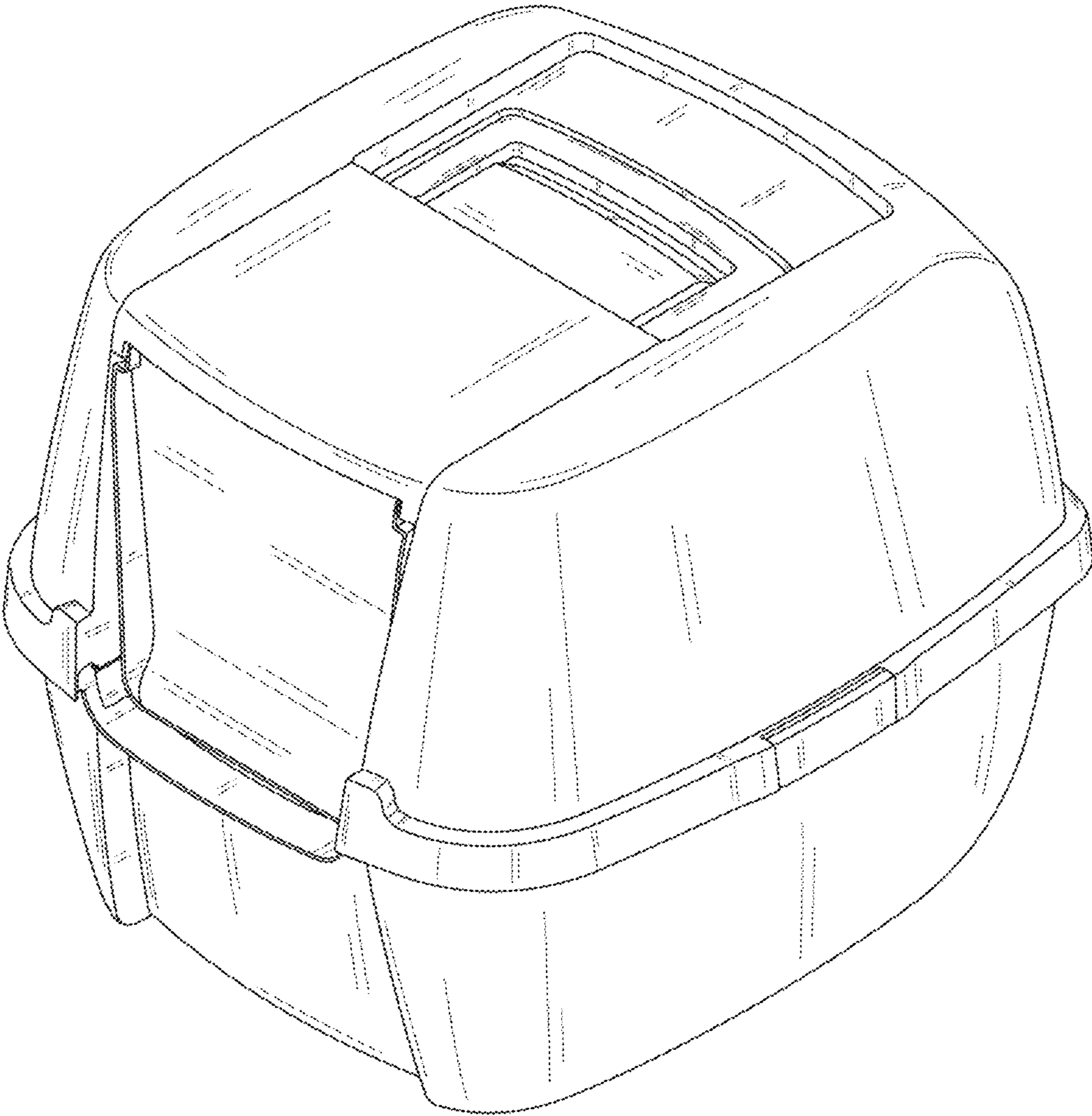


FIG. 2

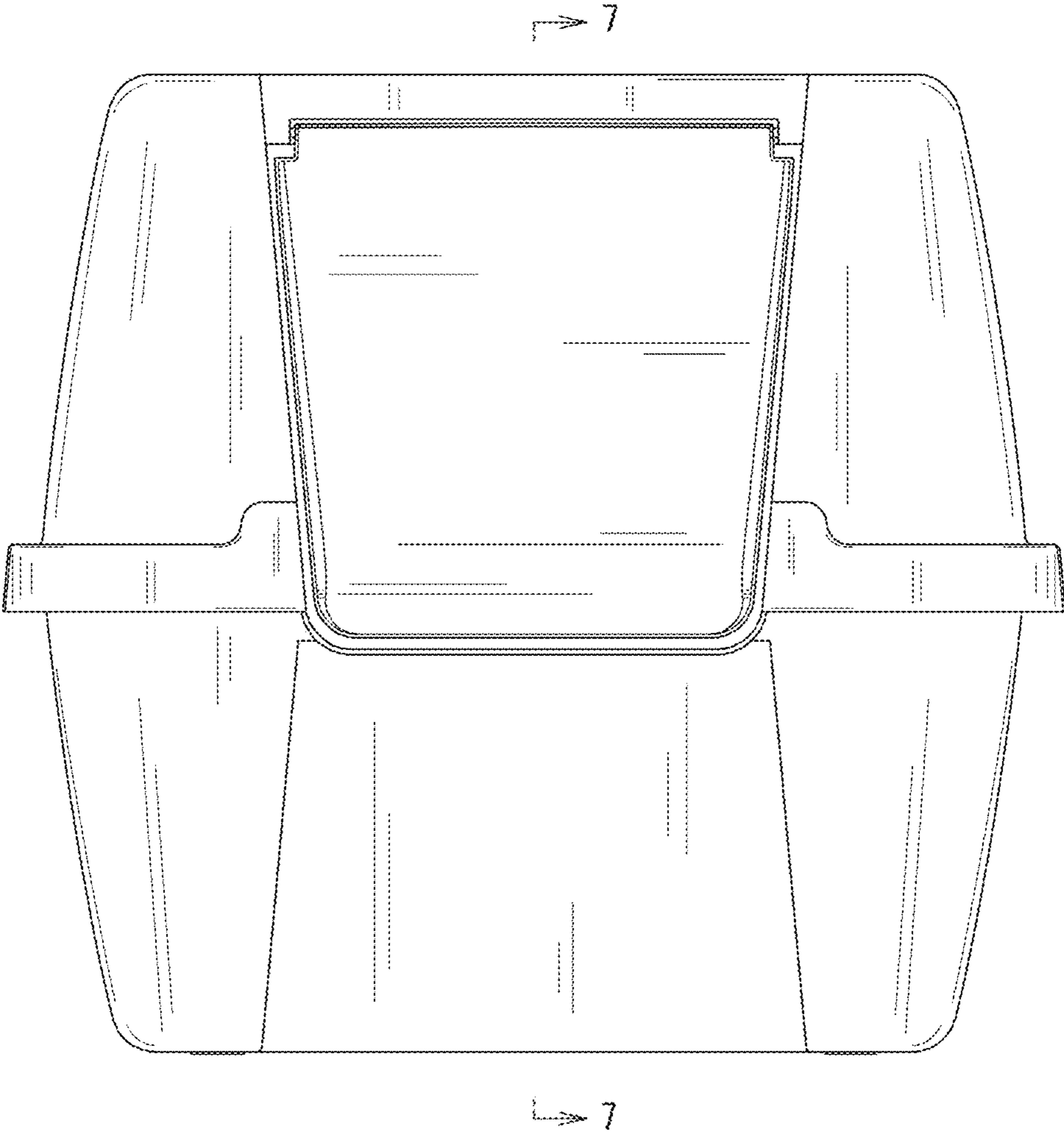


FIG. 3

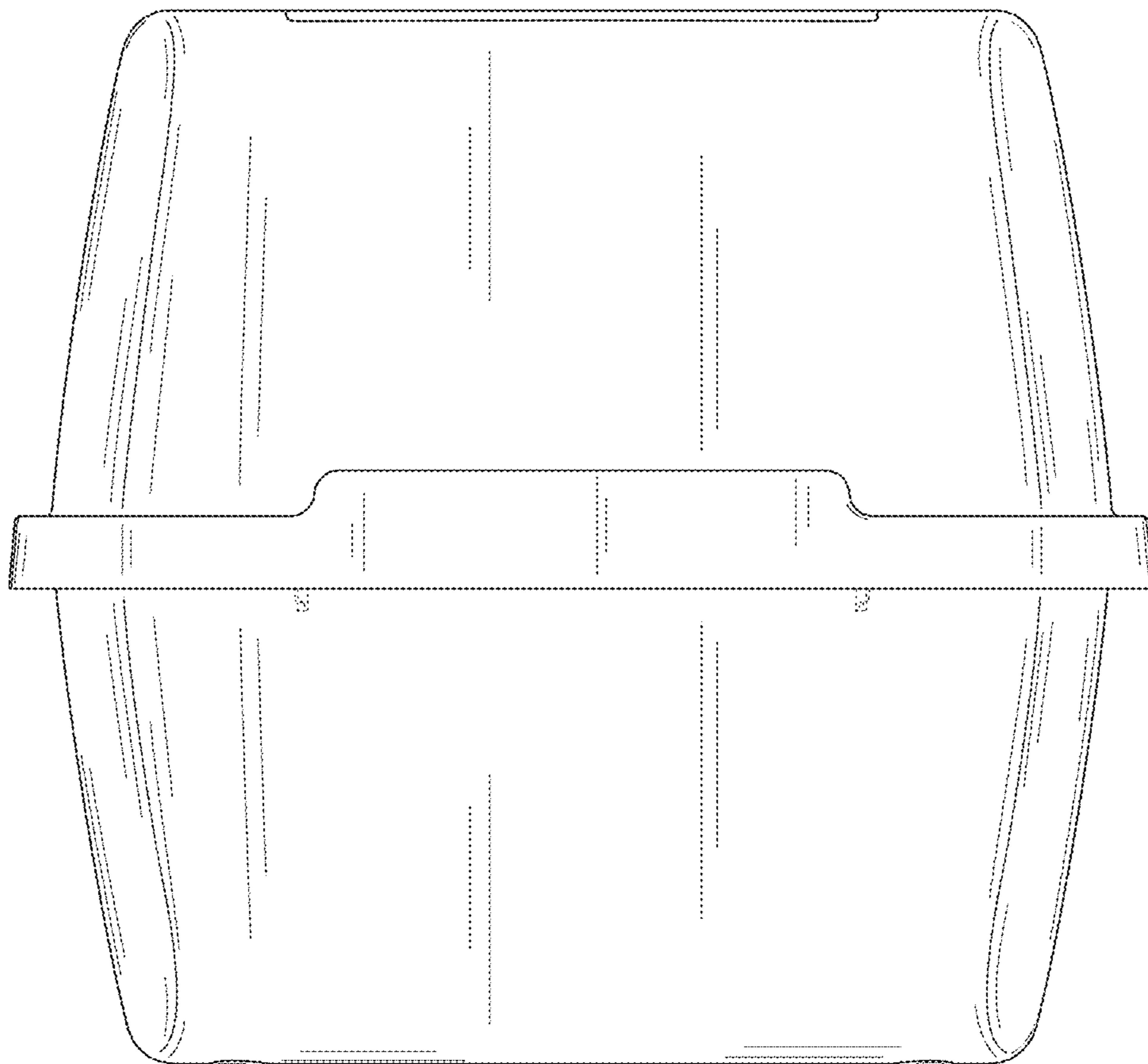


FIG. 4

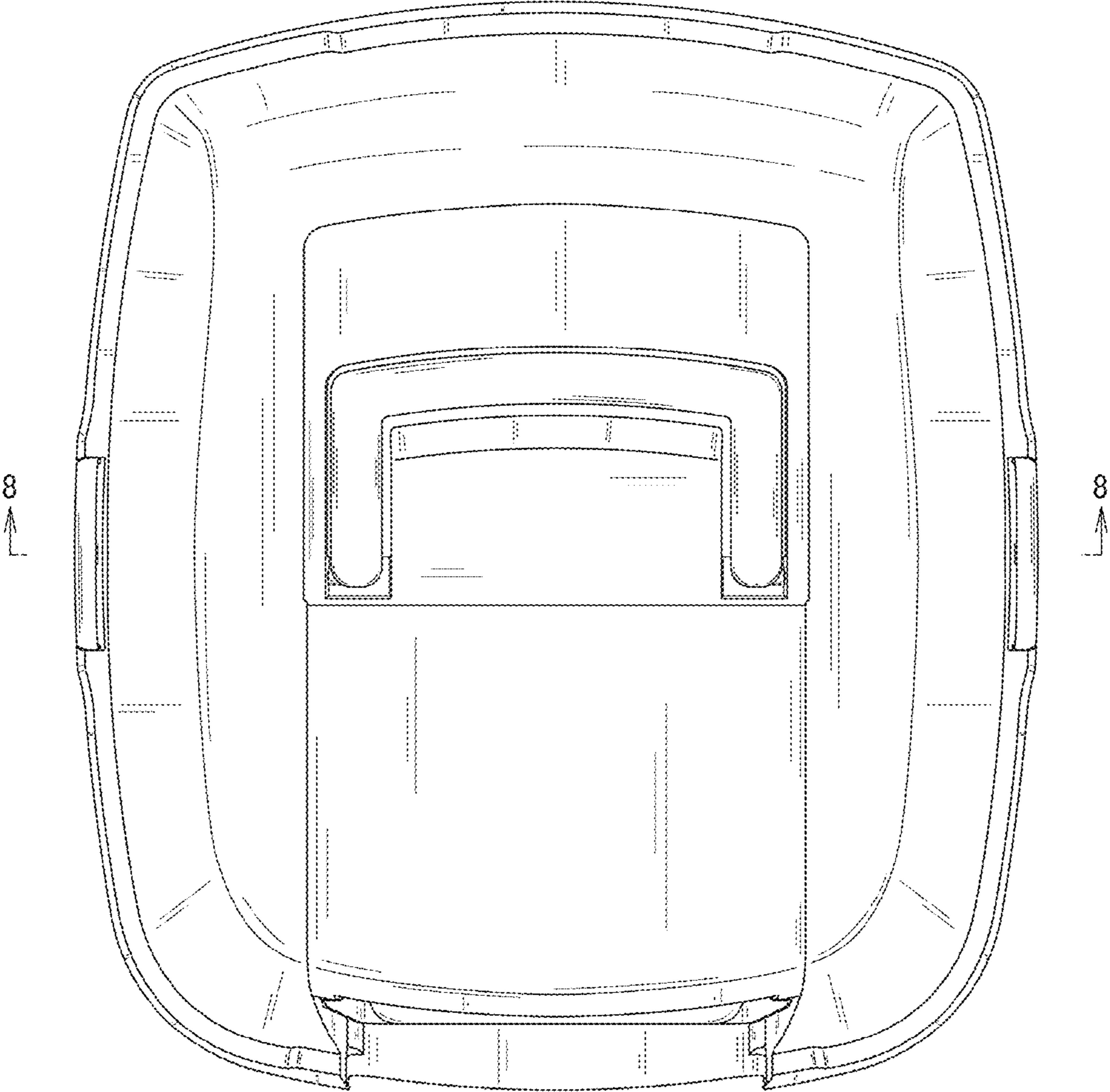


FIG. 5

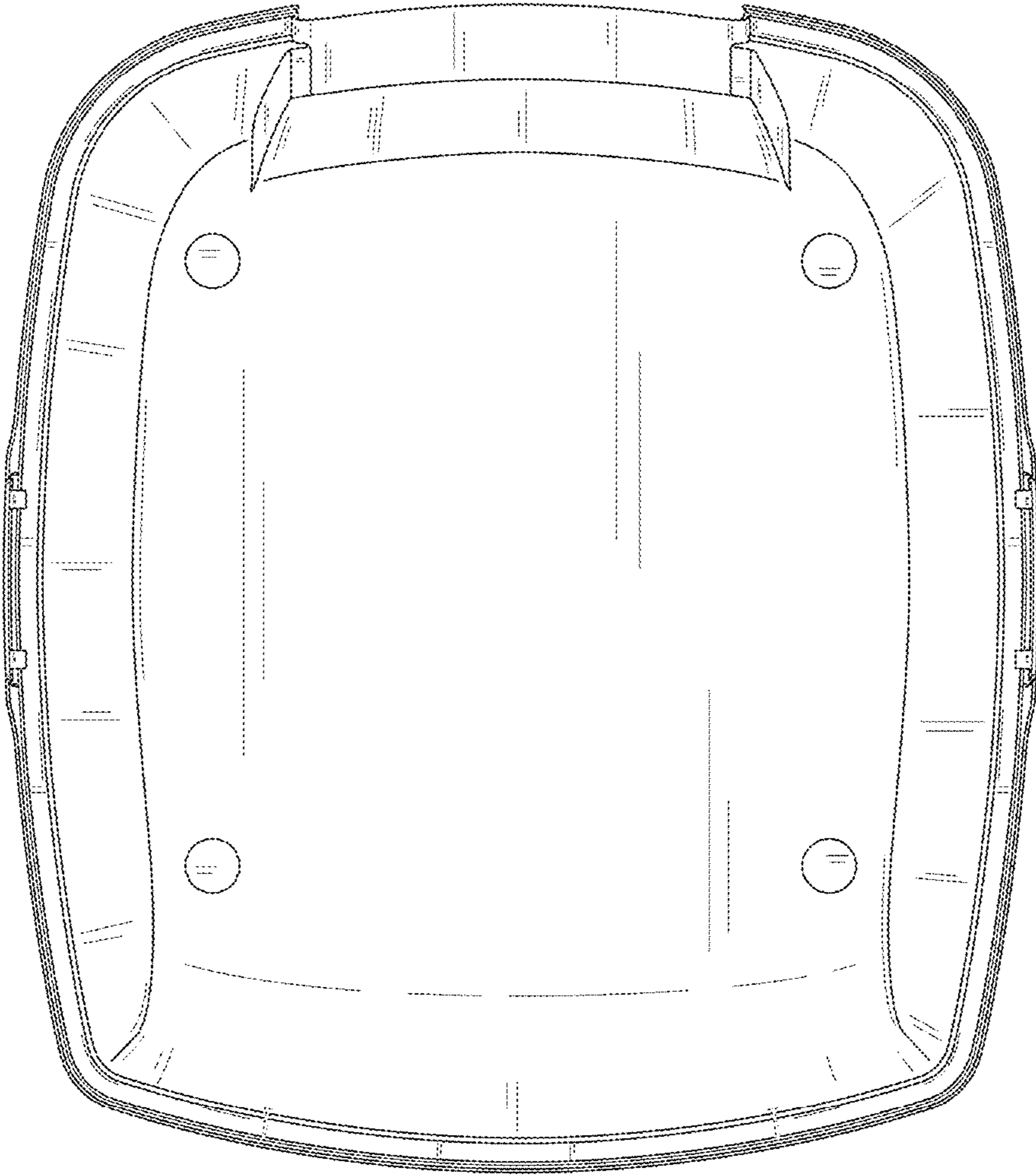


FIG. 6

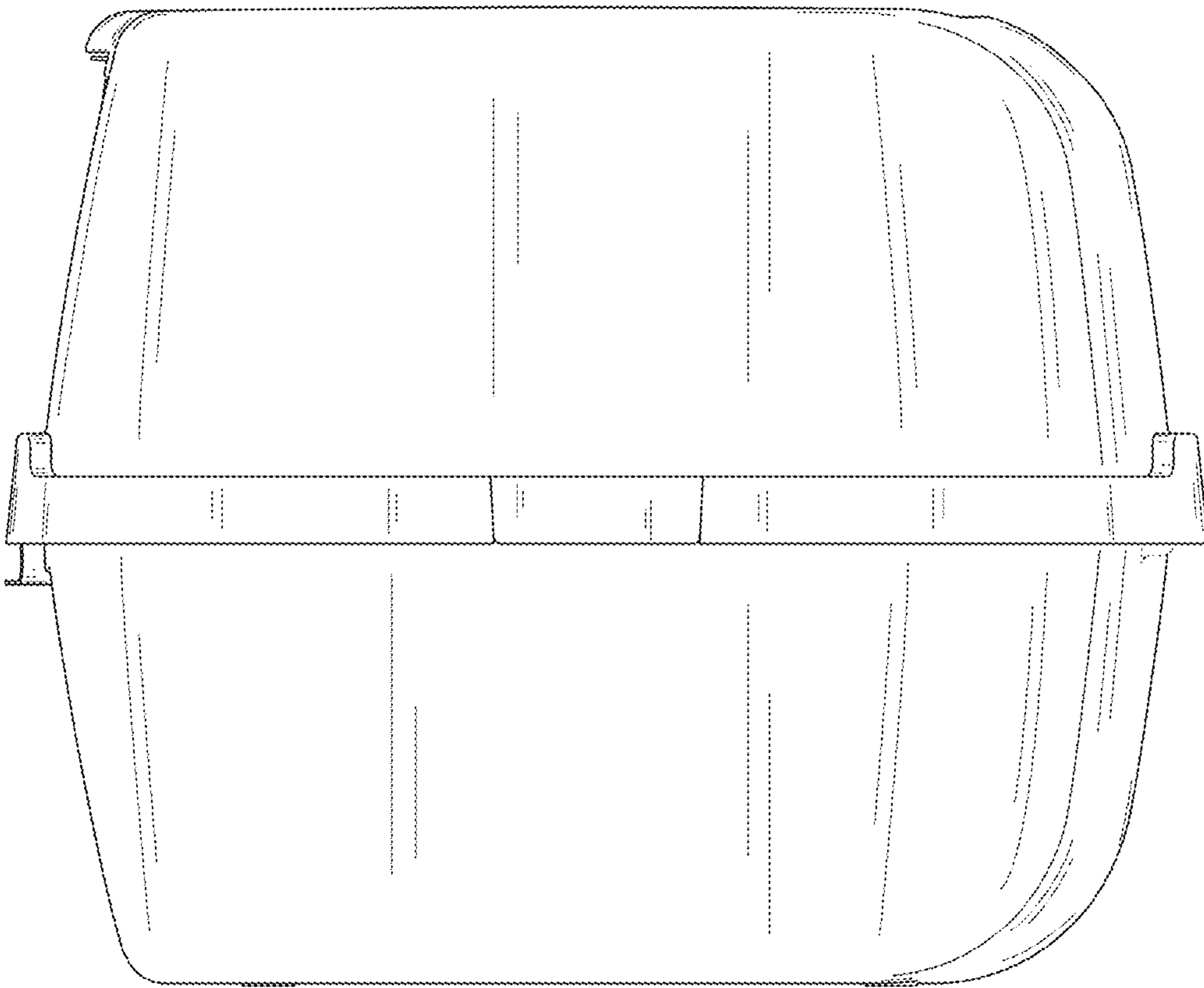


FIG. 7

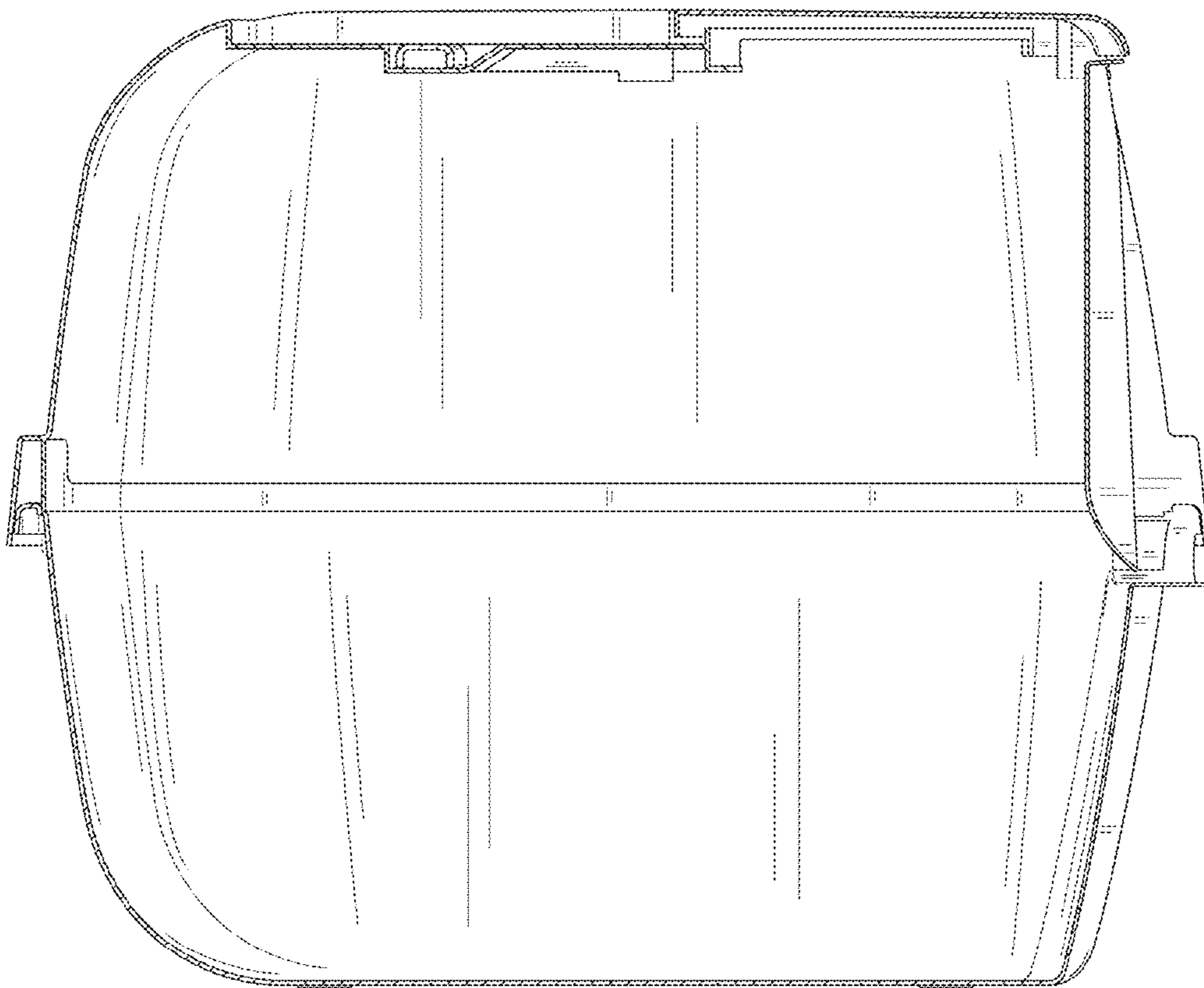


FIG. 8

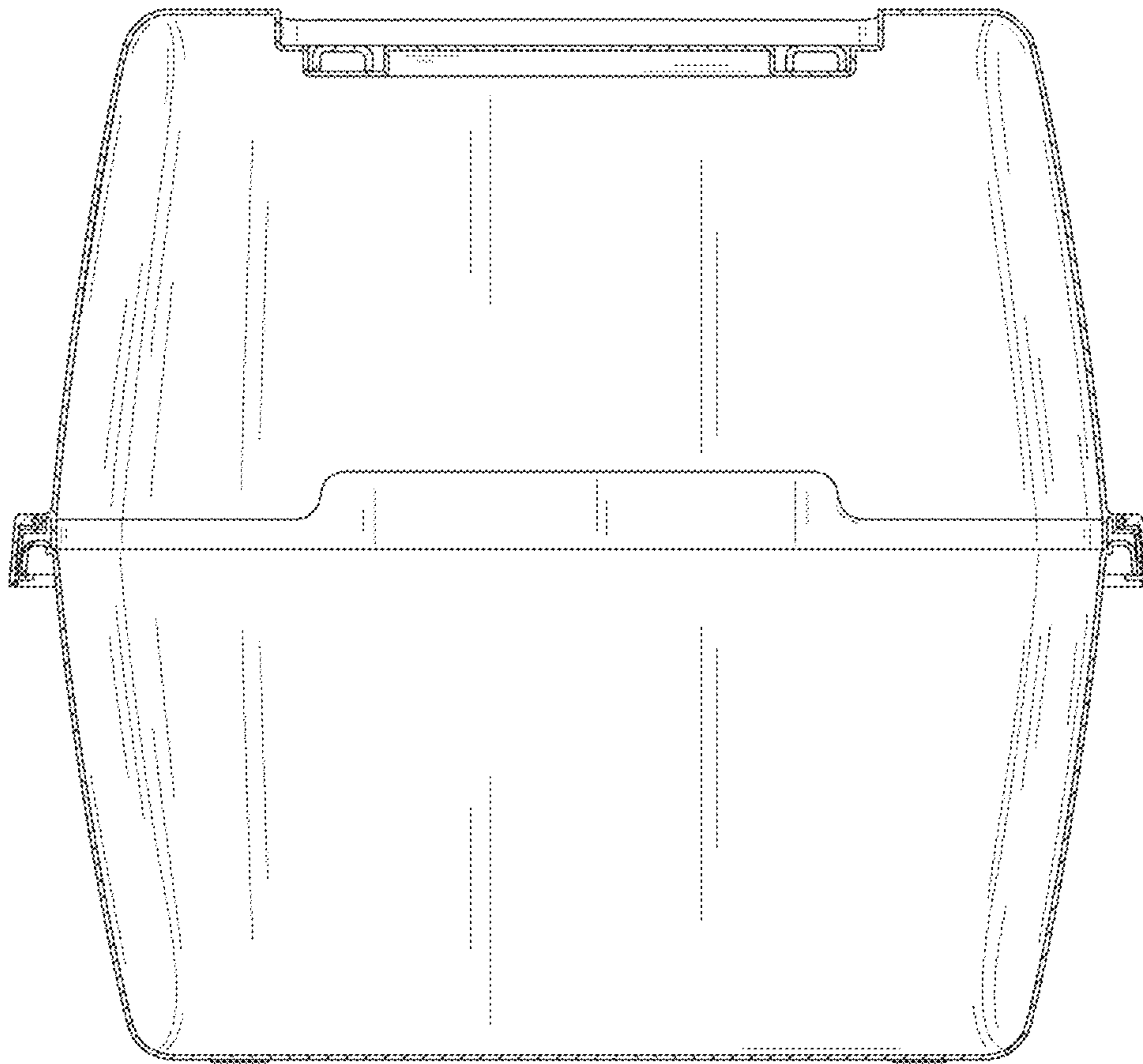


FIG. 9

