



US00D880788S

(12) **United States Design Patent**
Price

(10) **Patent No.:** **US D880,788 S**
(45) **Date of Patent:** **** Apr. 7, 2020**

(54) **MAT**

(71) Applicant: **David H. Price**, Knoxville, TN (US)

(72) Inventor: **David H. Price**, Knoxville, TN (US)

(**) Term: **15 Years**

(21) Appl. No.: **29/651,993**

(22) Filed: **Aug. 19, 2019**

(51) **LOC (12) Cl.** **30-03**

(52) **U.S. Cl.**
USPC **D30/133; D30/121**

(58) **Field of Classification Search**
USPC D30/133, 121, 128, 130, 132, 122, 129;
119/52.1, 55, 61.5–61.56, 51.01, 51.03,
119/59, 62, 63, 51.5, 57.8, 74, 61;
D6/480–485; 248/188, 151; 312/204;
108/153.1–157, 25–26; 220/23.87, 630,
220/737, 743, 9.4, 495.01, 574, 212, 255,
220/23.83, 575; 206/515, 557, 560, 562,
206/563, 565; D7/586, 543, 550.1, 587,
D7/505, 584, 545, 500, 553.1–553.8, 546,
D7/555, 556, 504, 565, 562, 602, 507,
D7/549, 558, 552.2, 560, 566, 548, 681;
D9/429; 43/109; D22/122; 99/430,
99/DIG. 15
CPC A01K 5/00; A01K 5/01; A01K 5/0107;
A01K 5/0114; A01K 5/0121; A01K
5/0128; A01K 5/0135; A01K 7/005
See application file for complete search history.

2,560,708 A * 7/1951 Titus A47D 1/10
297/153
D183,822 S * 11/1958 Barnhart D7/553.8
2,878,932 A * 3/1959 Martire, Jr. A47G 23/06
206/564
2,893,163 A * 7/1959 Hazel, Jr. A47G 23/03
248/346.11
2,919,456 A * 1/1960 Spivey A47L 23/266
15/215
3,637,454 A * 1/1972 Pavernick A47D 15/003
428/71
3,729,037 A * 4/1973 Dare A47G 19/03
150/158
3,745,974 A * 7/1973 Karasz A01K 1/0121
294/1.3
D229,073 S * 11/1973 Brickel D30/130
3,791,550 A * 2/1974 Duncan A47G 19/025
220/23.86
D233,581 S * 11/1974 Bridges et al. D7/553.4
D236,790 S * 9/1975 Bruno et al. D7/388
D238,592 S * 1/1976 Goldman et al. D30/133
D242,515 S * 11/1976 Shumrak et al. D7/553.5
D251,652 S * 4/1979 Molloy D7/553.7
D255,527 S * 6/1980 Seager D7/549
D259,669 S * 6/1981 Peterson D30/130
D279,067 S * 6/1985 Kuster D7/554.2
D281,481 S * 11/1985 Geiser D7/359

(Continued)

Primary Examiner — Susan Moon Lee

(74) Attorney, Agent, or Firm — Robert J. Lauf

(57) **CLAIM**

The ornamental design for a mat, as shown and described.

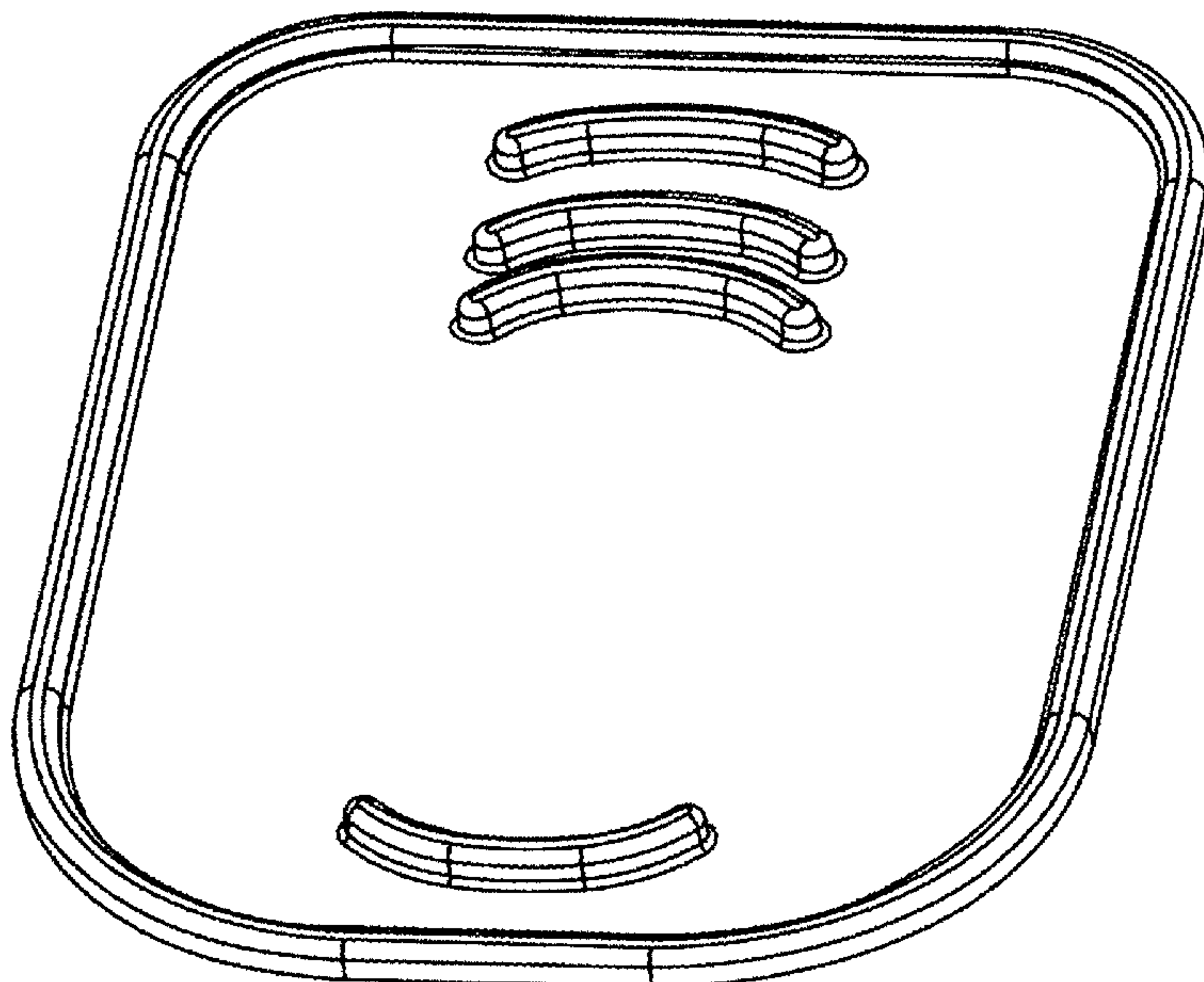
DESCRIPTION

FIG. 1 is a top plan view of a mat showing my new design.
FIG. 2 is a bottom view thereof.
FIG. 3 is a cross sectional view thereof.
FIG. 4 is a detail of the raised features in FIG. 3; and,
FIG. 5 is a dimetric projection view thereof.

1 Claim, 4 Drawing Sheets

(56) **References Cited**
U.S. PATENT DOCUMENTS

D47,846 S * 9/1915 Eustis D7/566
D52,657 S * 11/1918 Howland D7/550.1
1,881,416 A * 10/1932 Uhalt A47G 23/06
220/23.8



(56)

References Cited

U.S. PATENT DOCUMENTS

D299,010 S * 12/1988 Wall D9/435
 4,989,846 A * 2/1991 Quinn A47G 23/06
 269/54.5
 D321,809 S * 11/1991 Zobrist D7/354
 5,161,713 A * 11/1992 English B65D 47/265
 222/23
 D335,797 S * 5/1993 DeGrow D7/553.5
 D336,592 S * 6/1993 DeGrow D7/396.1
 5,221,032 A * 6/1993 Bott A45F 5/00
 108/43
 5,234,125 A * 8/1993 Roberts A47G 19/065
 206/562
 D344,436 S * 2/1994 Walls D7/553.4
 D348,646 S * 7/1994 Reuben D12/203
 D358,233 S * 5/1995 Weaver D30/133
 D362,363 S * 9/1995 Friedman 5/414
 D362,389 S * 9/1995 Frye D9/452
 D371,644 S * 7/1996 Lillelund D30/119
 5,560,316 A * 10/1996 Lillelund A01K 5/0114
 119/61.5
 5,605,247 A * 2/1997 Earnshaw A47D 1/00
 220/571
 D384,778 S * 10/1997 Powers D30/119
 D392,884 S * 3/1998 Hayes D9/431
 D413,209 S * 8/1999 Jarke D6/406.3
 D433,580 S * 11/2000 Jarke D6/406.3
 D435,705 S * 12/2000 Powers D30/120
 6,179,377 B1 * 1/2001 Harper A47G 19/10
 297/148
 D440,798 S * 4/2001 Kuhlman D6/707.22
 6,216,605 B1 * 4/2001 Chapman A47D 1/008
 108/26
 D487,823 S * 3/2004 Wang D30/118
 D499,933 S * 12/2004 Rutter D7/359
 D517,743 S * 3/2006 Perrin D29/119
 D523,186 S * 6/2006 Northrop D30/133
 D538,814 S * 3/2007 Cranford D14/459
 D541,486 S * 4/2007 Mahaffey D23/415
 D541,488 S * 4/2007 Marsh D30/130
 D550,407 S * 9/2007 Spiwak D30/129
 D573,466 S * 7/2008 White D9/456
 D582,265 S * 12/2008 Helfman D9/425
 D583,111 S * 12/2008 Molina-Justin D30/125
 7,475,937 B2 * 1/2009 McGrew A47G 19/10
 297/148
 7,673,934 B2 * 3/2010 Bearup A47D 1/002
 297/130
 D613,979 S * 4/2010 Moore D6/707.22
 D630,512 S * 1/2011 Venier D9/425
 D636,674 S * 4/2011 Golota D9/452
 D640,486 S * 6/2011 Saelid D6/656.15
 D641,628 S * 7/2011 Baughman D9/452
 7,992,714 B1 * 8/2011 Devault A47G 19/10
 206/564
 D655,541 S * 3/2012 Zemel D6/705
 8,162,390 B2 * 4/2012 Zhong A47D 1/103
 297/130
 D659,913 S * 5/2012 Spectre D30/130

8,201,879 B2 * 6/2012 Hartenstine A47D 1/002
 297/153
 D672,163 S * 12/2012 Wells D6/406.3
 D710,980 S * 8/2014 Pollard, Jr. D23/308
 D717,104 S * 11/2014 Redfern D7/392.1
 D720,948 S * 1/2015 Gonzalez D6/656.13
 D722,407 S * 2/2015 Roslonski D30/130
 D725,317 S * 3/2015 Avalos Sartorio D30/121
 D725,836 S * 3/2015 Avalos Sartorio D30/121
 D727,576 S * 4/2015 Avalos Sartorio D30/121
 9,039,079 B2 * 5/2015 Huntsberger A47D 1/0081
 297/153
 9,044,077 B1 * 6/2015 Lin A45D 44/00
 D735,573 S * 8/2015 Jondal D9/426
 9,144,321 B2 * 9/2015 Melo A47D 1/0085
 D741,742 S * 10/2015 Kunnas D11/155
 D742,220 S * 11/2015 Eyerman D9/426
 D751,773 S * 3/2016 Gailen D30/121
 D764,206 S * 8/2016 Lin D6/406.1
 D767,941 S * 10/2016 Laurain D6/616
 D770,796 S * 11/2016 Lin D6/406.1
 9,504,285 B2 * 11/2016 Lin B65D 73/00
 D774,361 S * 12/2016 Laurain D6/616
 9,560,919 B2 * 2/2017 Terhune A47D 1/0085
 D802,368 S * 11/2017 Peng D7/553.2
 D802,853 S * 11/2017 MacNeil D30/133
 D807,705 S * 1/2018 Laurain D7/555
 D812,433 S * 3/2018 Kwok D7/553.4
 D826,480 S * 8/2018 Bohline D30/120
 D836,990 S * 1/2019 Hakim D7/553.4
 D850,858 S * 6/2019 Roaks D7/555
 10,448,614 B1 * 10/2019 Tsengas A01K 7/00
 2003/0152736 A1 * 8/2003 Bass A47G 19/10
 428/40.1
 2004/0237901 A1 * 12/2004 Willinger A01K 5/0114
 119/61.54
 2006/0096544 A1 * 5/2006 Spiwak A01K 5/01
 119/61.5
 2007/0264450 A1 * 11/2007 White B32B 5/32
 428/34.1
 2009/0241844 A1 * 10/2009 Becattini, Jr. A01K 5/0135
 119/51.5
 2011/0253054 A1 * 10/2011 Hargrove A01K 5/0114
 119/61.54
 2012/0186497 A1 * 7/2012 Spano A01K 5/0114
 108/26
 2015/0214090 A1 * 7/2015 Jin H01L 21/67706
 269/13
 2015/0334988 A1 * 11/2015 Gailen A01K 5/00
 119/51.01
 2016/0073805 A1 * 3/2016 Laurain A47G 19/02
 220/575
 2017/0071155 A1 * 3/2017 Gailen A01K 5/0135
 2017/0086423 A1 * 3/2017 Wall A01K 5/0135
 2017/0280675 A1 * 10/2017 MacNeil A01K 5/0135
 2018/0014505 A1 * 1/2018 MacNeil A01K 7/005
 2018/0020637 A1 * 1/2018 MacNeil A01K 5/0135
 119/61.54
 2018/0242553 A1 * 8/2018 Nemeth A01K 5/0121
 2018/0325079 A1 * 11/2018 Gailen A01K 5/0114
 2019/0261594 A1 * 8/2019 Taylor A01K 7/005

* cited by examiner

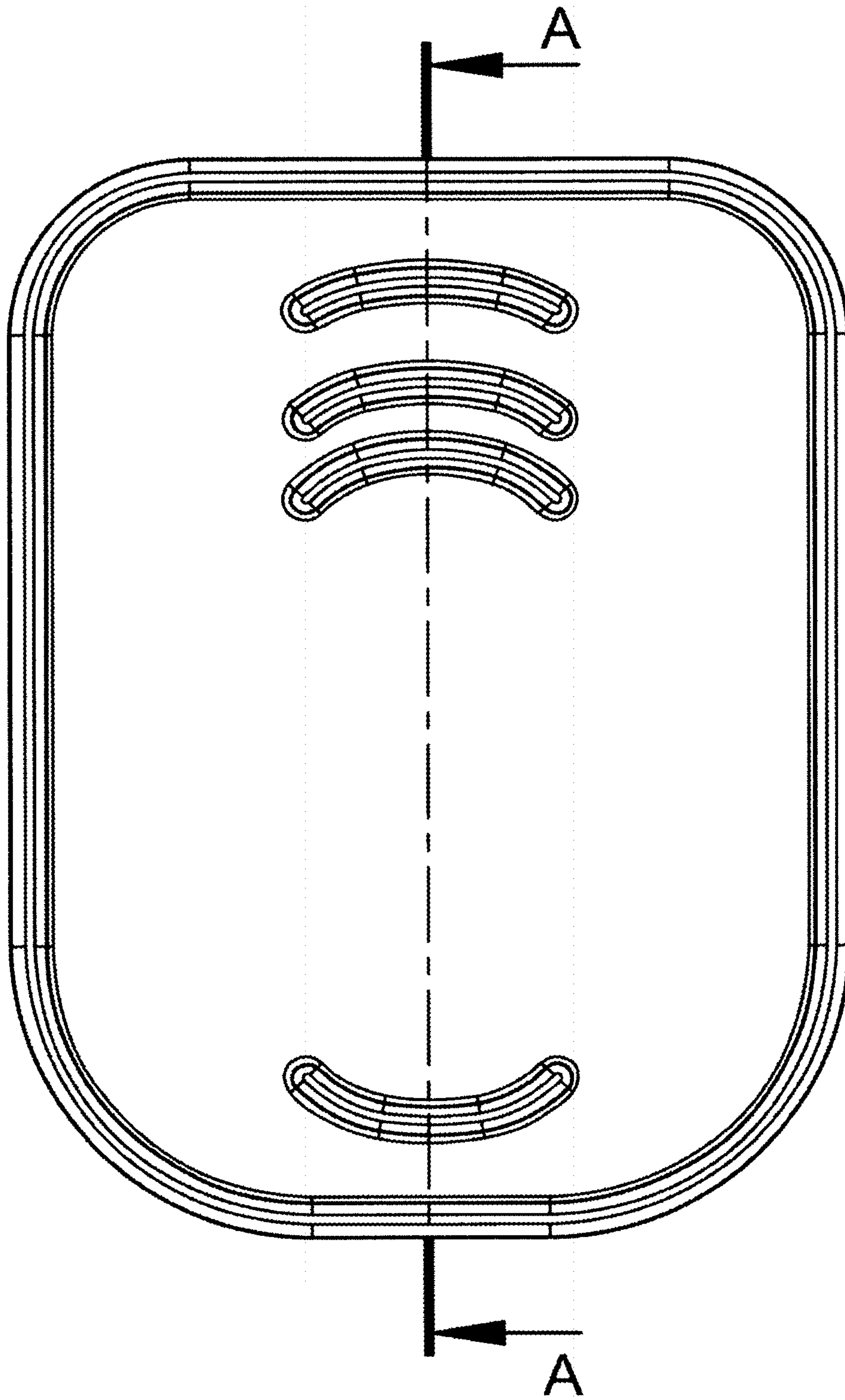


FIGURE 1

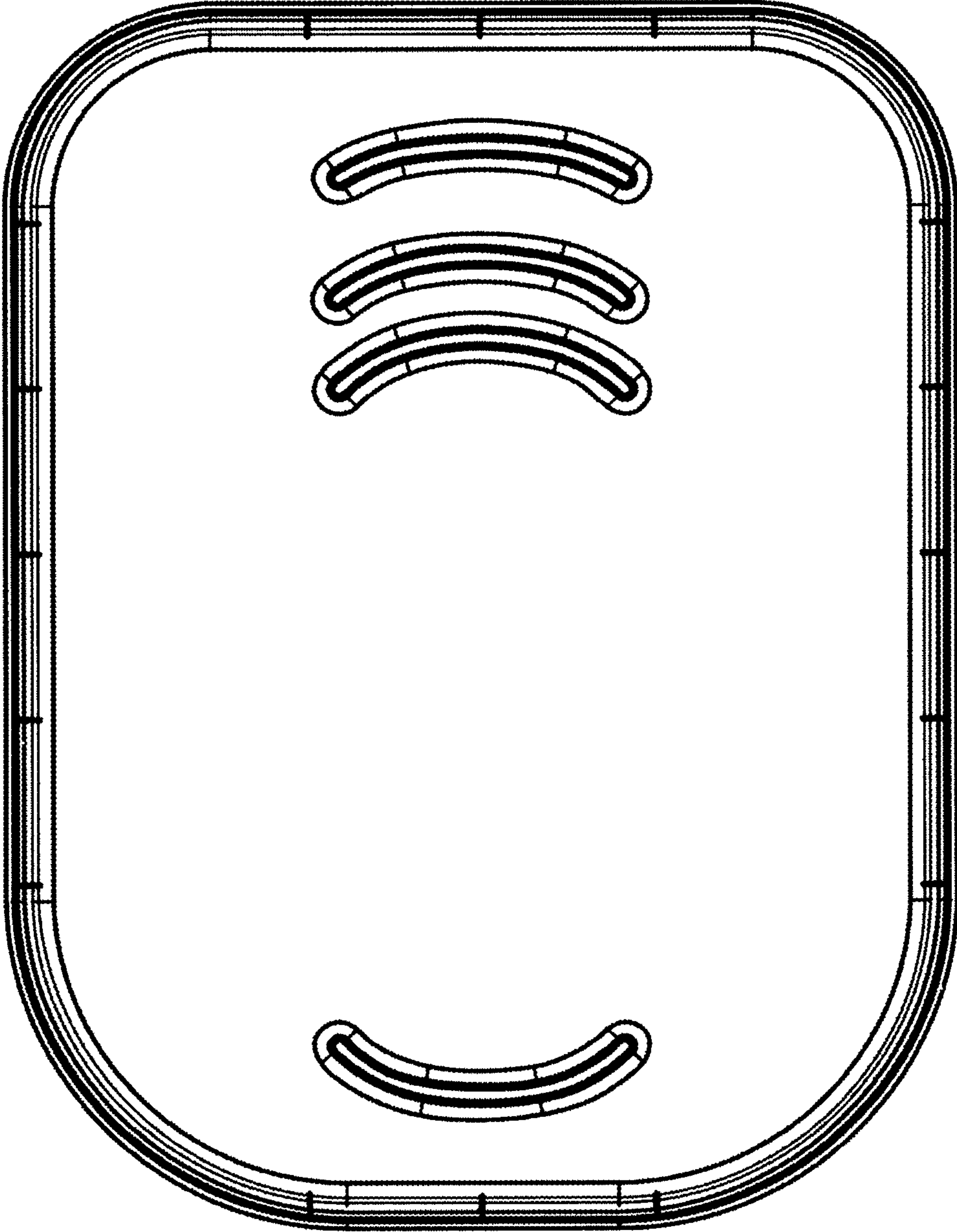
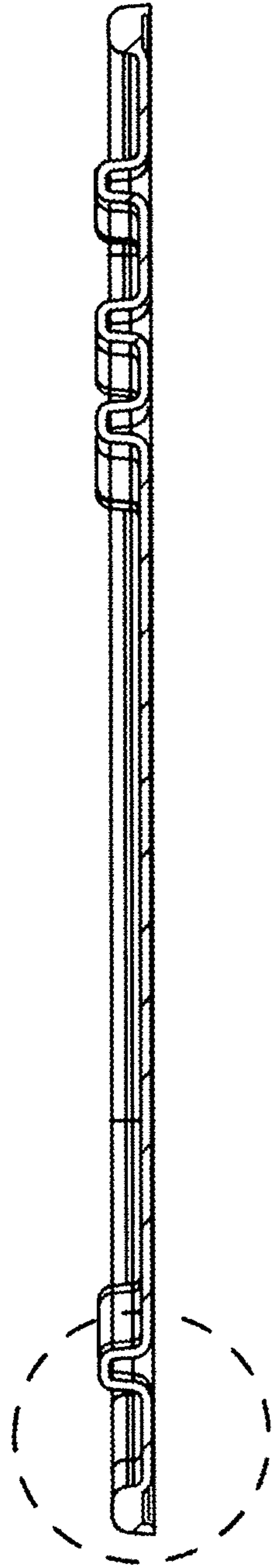


FIGURE 2



SECTION A-A

FIGURE 3

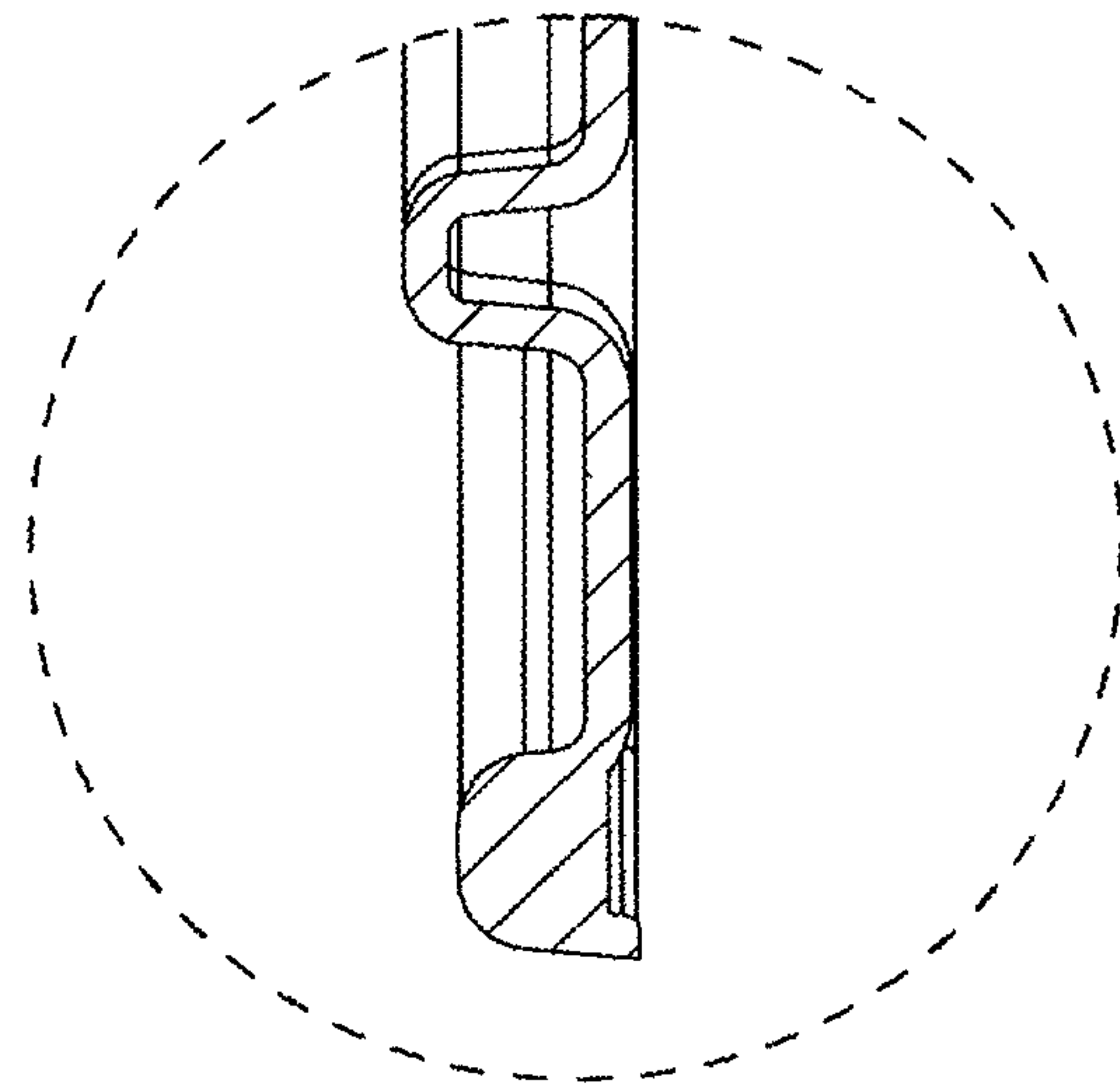


FIGURE 4

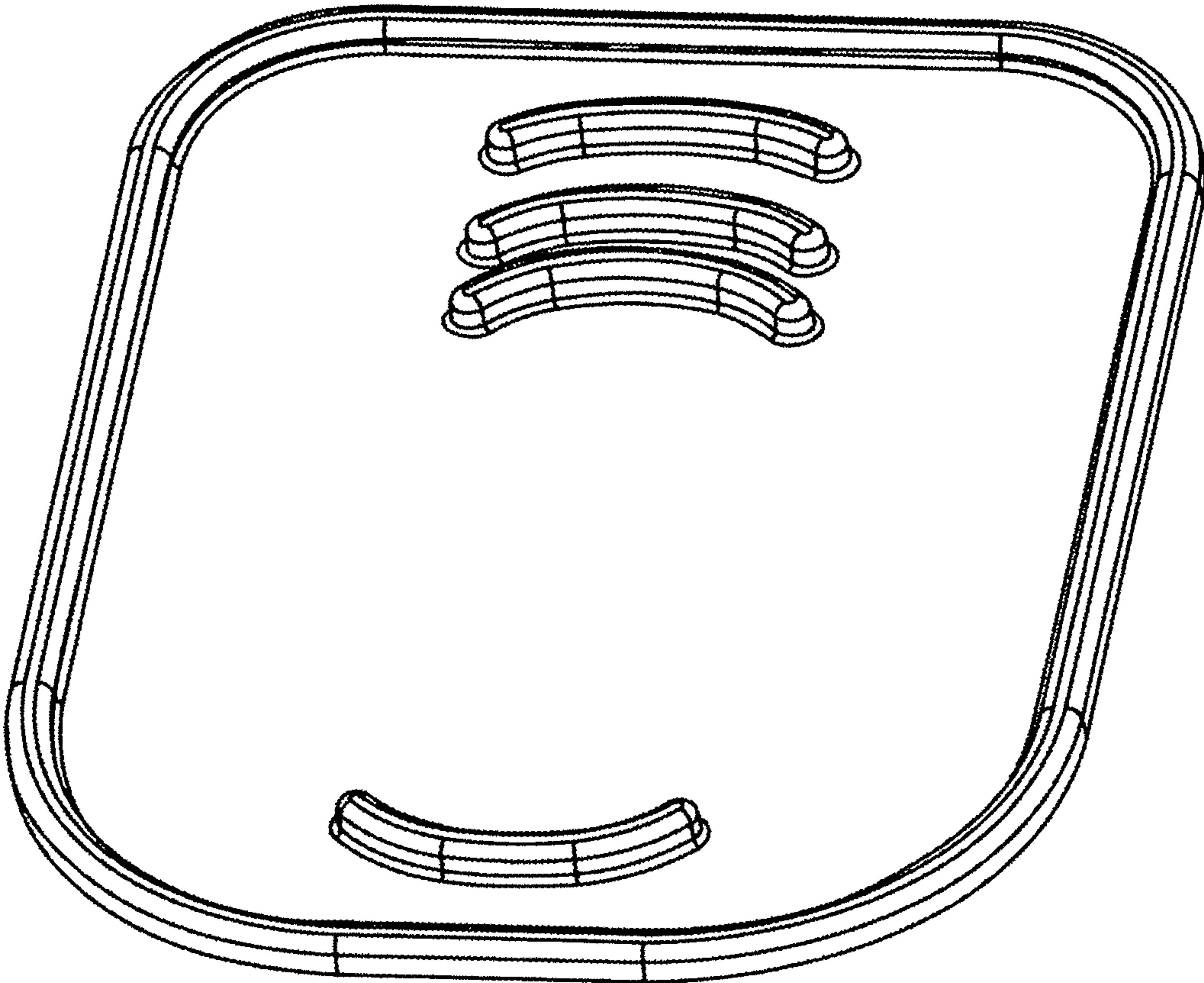


FIGURE 5