



US00D880787S

(12) **United States Design Patent**  
**Price**

(10) **Patent No.:** **US D880,787 S**

(45) **Date of Patent:** **\*\* Apr. 7, 2020**

(54) **MAT**

(71) Applicant: **David H. Price**, Knoxville, TN (US)

(72) Inventor: **David H. Price**, Knoxville, TN (US)

(\*\*) Term: **15 Years**

(21) Appl. No.: **29/651,992**

(22) Filed: **Aug. 19, 2019**

(51) **LOC (12) Cl.** ..... **30-03**

(52) **U.S. Cl.**  
USPC ..... **D30/133; D30/121**

(58) **Field of Classification Search**  
USPC ..... D30/133, 121, 128, 130, 132, 122, 129;  
119/52.1, 55, 61.5–61.56, 51.01, 51.03,  
119/59, 62, 63, 51.5, 57.8, 74, 61;  
D6/480–485; 248/188, 151; 312/204;  
108/153.1–157, 25–26; 220/23.87, 630,  
220/737, 743, 9.4, 495.01, 574, 212, 255,  
220/23.83, 575; 206/515, 557, 560, 562,  
206/563, 565; D7/586, 543, 550.1, 587,  
D7/505, 584, 545, 500, 553.1–553.8, 546,  
D7/555, 556, 504, 565, 562, 602, 507,  
D7/549, 558, 552.2, 560, 566, 548, 681;  
D9/429; 43/109; D22/122; 99/430,  
99/DIG. 15  
CPC ..... A01K 5/00; A01K 5/01; A01K 5/0107;  
A01K 5/0114; A01K 5/0121; A01K  
5/0128; A01K 5/0135; A01K 7/005  
See application file for complete search history.

(56) **References Cited**

**U.S. PATENT DOCUMENTS**

D47,846 S \* 9/1915 Eustis ..... D7/566  
D52,657 S \* 11/1918 Howland ..... D7/550.1  
1,881,416 A \* 10/1932 Uhalt ..... A47G 23/06  
220/23.8

2,560,708 A \* 7/1951 Titus ..... A47D 1/10  
297/153  
D183,822 S \* 11/1958 Barnhart ..... D7/553.8  
2,878,932 A \* 3/1959 Martire, Jr. .... A47G 23/06  
206/564  
2,893,163 A \* 7/1959 Hazel, Jr. .... A47G 23/03  
248/346.11  
2,919,456 A \* 1/1960 Spivey ..... A47L 23/266  
15/215  
3,637,454 A \* 1/1972 Pavernick ..... A47D 15/003  
428/71  
3,729,037 A \* 4/1973 Dare ..... A47G 19/03  
150/158  
3,745,974 A \* 7/1973 Karasz ..... A01K 1/0121  
294/1.3  
D229,073 S \* 11/1973 Brickel ..... D30/130  
3,791,550 A \* 2/1974 Duncan ..... A47G 19/025  
220/23.86  
D233,581 S \* 11/1974 Bridges et al. .... D7/553.4  
D236,790 S \* 9/1975 Bruno et al. .... D7/388  
D238,592 S \* 1/1976 Goldman ..... D30/133  
D242,515 S \* 11/1976 Shumrak ..... D7/553.5  
D251,652 S \* 4/1979 Molloy ..... D7/553.7  
D255,527 S \* 6/1980 Seager ..... D7/549  
D259,669 S \* 6/1981 Peterson ..... D30/130  
D279,067 S \* 6/1985 Kuster ..... D7/554.2  
D281,481 S \* 11/1985 Geiser ..... D7/359

(Continued)

*Primary Examiner* — Susan Moon Lee

(74) *Attorney, Agent, or Firm* — Robert J. Lauf

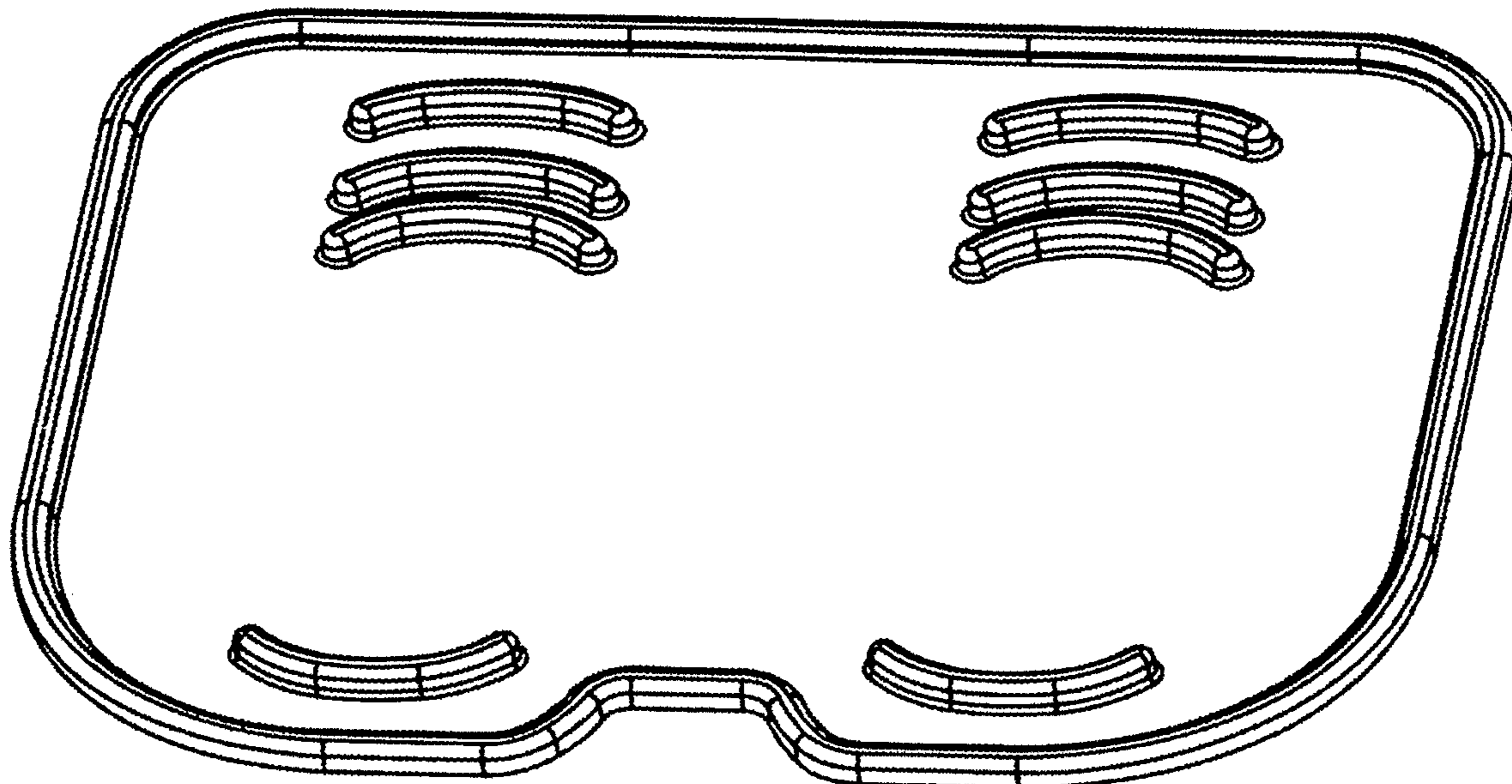
(57) **CLAIM**

The ornamental design for a mat, as shown and described.

**DESCRIPTION**

FIG. 1 is a top plan view of a mat showing my new design.  
FIG. 2 is a bottom view thereof.  
FIG. 3 is a cross sectional view thereof along A-A.  
FIG. 4 is a detail of the raised features in FIG. 3; and,  
FIG. 5 is a dimetric projection view thereof.

**1 Claim, 4 Drawing Sheets**



(56)

References Cited

U.S. PATENT DOCUMENTS

D299,010 S *	12/1988	Wall	D9/435	8,201,879 B2 *	6/2012	Hartenstine	A47D 1/002 297/153
4,989,846 A *	2/1991	Quinn	A47G 23/06 269/54.5	D672,163 S *	12/2012	Wells	D6/406.3
D321,809 S *	11/1991	Zobrist	D7/354	D710,980 S *	8/2014	Pollard, Jr.	D23/308
5,161,713 A *	11/1992	English	B65D 47/265 222/23	D717,104 S *	11/2014	Redfern	D7/392.1
D335,797 S *	5/1993	DeGrow	D7/553.5	D720,948 S *	1/2015	Gonzalez	D6/656.13
D336,592 S *	6/1993	DeGrow	D7/396.1	D722,407 S *	2/2015	Roslonski	D30/130
5,221,032 A *	6/1993	Bott	A45F 5/00 108/43	D725,317 S *	3/2015	Avalos Sartorio	D30/121
5,234,125 A *	8/1993	Roberts	A47G 19/065 206/562	D725,836 S *	3/2015	Avalos Sartorio	D30/121
D344,436 S *	2/1994	Walls	D7/553.4	D727,576 S *	4/2015	Avalos Sartorio	D30/121
D348,646 S *	7/1994	Reuben	D12/203	9,039,079 B2 *	5/2015	Huntsberger	A47D 1/0081 297/153
D358,233 S *	5/1995	Weaver	D30/133	9,044,077 B1 *	6/2015	Lin	A45D 44/00
D362,363 S *	9/1995	Friedman	5/414	D735,573 S *	8/2015	Jondal	D9/426
D362,389 S *	9/1995	Frye	D9/452	9,144,321 B2 *	9/2015	Melo	A47D 1/0085
D371,644 S *	7/1996	Lillelund	D30/119	D741,742 S *	10/2015	Kunnas	D11/155
5,560,316 A *	10/1996	Lillelund	A01K 5/0114 119/61.5	D742,220 S *	11/2015	Eyerman	D9/426
5,605,247 A *	2/1997	Earnshaw	A47D 1/00 220/571	D751,773 S *	3/2016	Gailen	D30/121
D384,778 S *	10/1997	Powers	D30/119	D764,206 S *	8/2016	Lin	D6/406.1
D392,884 S *	3/1998	Hayes	D9/431	D767,941 S *	10/2016	Laurain	D6/616
D413,209 S *	8/1999	Jarke	D6/406.3	D770,796 S *	11/2016	Lin	D6/406.1
D433,580 S *	11/2000	Jarke	D6/406.3	9,504,285 B2 *	11/2016	Lin	B65D 73/00
D435,705 S *	12/2000	Powers	D30/120	D774,361 S *	12/2016	Laurain	D6/616
6,179,377 B1 *	1/2001	Harper	A47G 19/10 297/148	9,560,919 B2 *	2/2017	Terhune	A47D 1/0085
D440,798 S *	4/2001	Kuhlman	D6/707.22	D802,368 S *	11/2017	Peng	D7/553.2
6,216,605 B1 *	4/2001	Chapman	A47D 1/008 108/26	D802,853 S *	11/2017	MacNeil	D30/133
D487,823 S *	3/2004	Wang	D30/118	D807,705 S *	1/2018	Laurain	D7/555
D499,933 S *	12/2004	Rutter	D7/359	D812,433 S *	3/2018	Kwok	D7/553.4
D517,743 S *	3/2006	Perrin	D29/119	D826,480 S *	8/2018	Bohline	D30/120
D523,186 S *	6/2006	Northrop	D30/133	D836,990 S *	1/2019	Hakim	D7/553.4
D538,814 S *	3/2007	Cranford	D14/459	D850,858 S *	6/2019	Roaks	D7/555
D541,486 S *	4/2007	Mahaffey	D23/415	10,448,614 B1 *	10/2019	Tsengas	A01K 7/00
D541,488 S *	4/2007	Marsh	D30/130	2003/0152736 A1 *	8/2003	Bass	A47G 19/10 428/40.1
D550,407 S *	9/2007	Spiwak	D30/129	2004/0237901 A1 *	12/2004	Willinger	A01K 5/0114 119/61.54
D573,466 S *	7/2008	White	D9/456	2006/0096544 A1 *	5/2006	Spiwak	A01K 5/01 119/61.5
D582,265 S *	12/2008	Helfman	D9/425	2007/0264450 A1 *	11/2007	White	B32B 5/32 428/34.1
D583,111 S *	12/2008	Molina-Justin	D30/125	2009/0241844 A1 *	10/2009	Becattini, Jr.	A01K 5/0135 119/51.5
7,475,937 B2 *	1/2009	McGrew	A47G 19/10 297/148	2011/0253054 A1 *	10/2011	Hargrove	A01K 5/0114 119/61.54
7,673,934 B2 *	3/2010	Bearup	A47D 1/002 297/130	2012/0186497 A1 *	7/2012	Spano	A01K 5/0114 108/26
D613,979 S *	4/2010	Moore	D6/707.22	2015/0214090 A1 *	7/2015	Jin	H01L 21/67706 269/13
D630,512 S *	1/2011	Venier	D9/425	2015/0334988 A1 *	11/2015	Gailen	A01K 5/00 119/51.01
D636,674 S *	4/2011	Golota	D9/452	2016/0073805 A1 *	3/2016	Laurain	A47G 19/02 220/575
D640,486 S *	6/2011	Saelid	D6/656.15	2017/0071155 A1 *	3/2017	Gailen	A01K 5/0135
D641,628 S *	7/2011	Baughman	D9/452	2017/0086423 A1 *	3/2017	Wall	A01K 5/0135
7,992,714 B1 *	8/2011	Devault	A47G 19/10 206/564	2017/0280675 A1 *	10/2017	MacNeil	A01K 5/0135
D655,541 S *	3/2012	Zemel	D6/705	2018/0014505 A1 *	1/2018	MacNeil	A01K 7/005
8,162,390 B2 *	4/2012	Zhong	A47D 1/103 297/130	2018/0020637 A1 *	1/2018	MacNeil	A01K 5/0135 119/61.54
D659,913 S *	5/2012	Spectre	D30/130	2018/0242553 A1 *	8/2018	Nemeth	A01K 5/0121
				2018/0325079 A1 *	11/2018	Gailen	A01K 5/0114
				2019/0261594 A1 *	8/2019	Taylor	A01K 7/005

\* cited by examiner



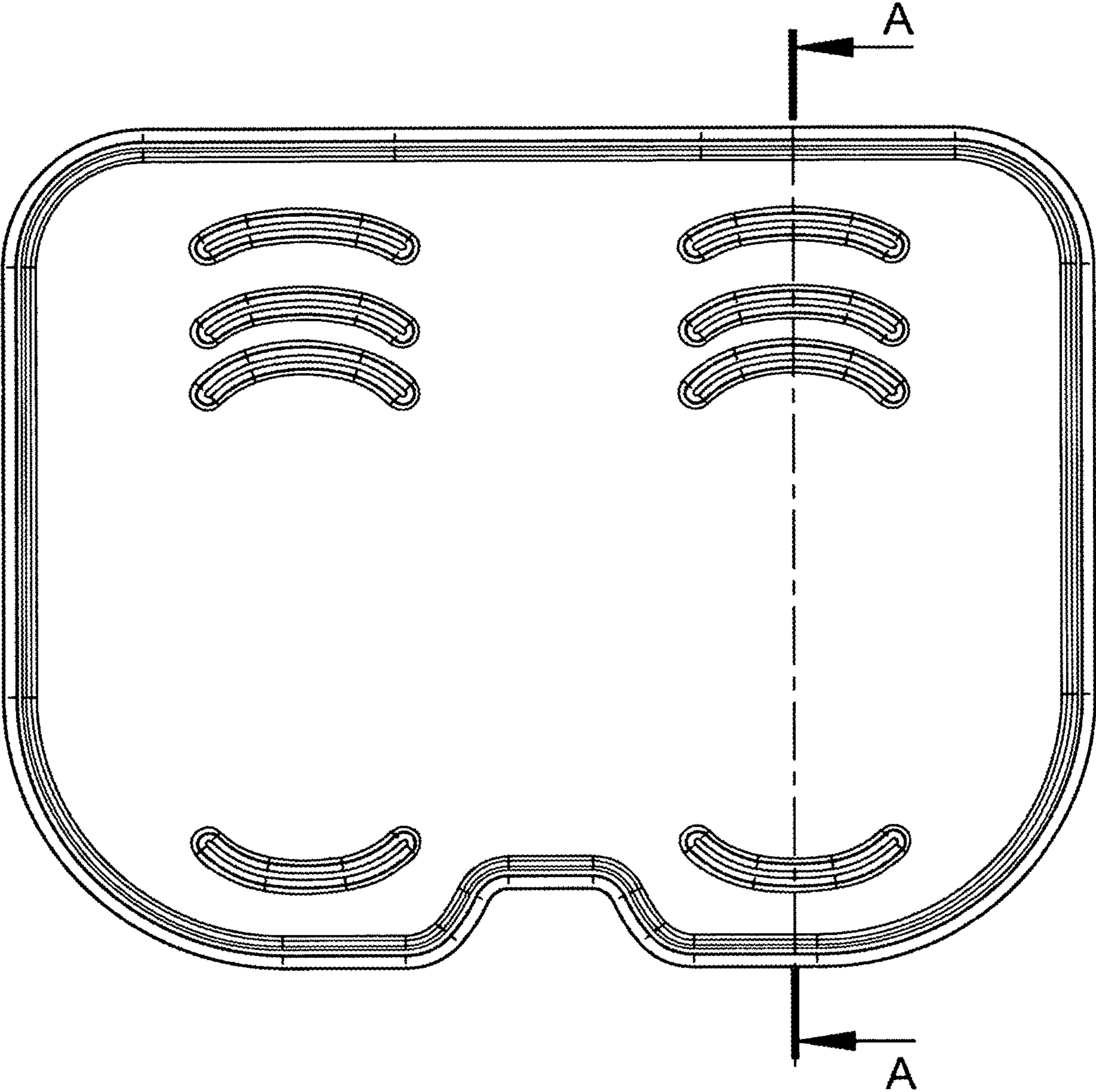


FIGURE 1

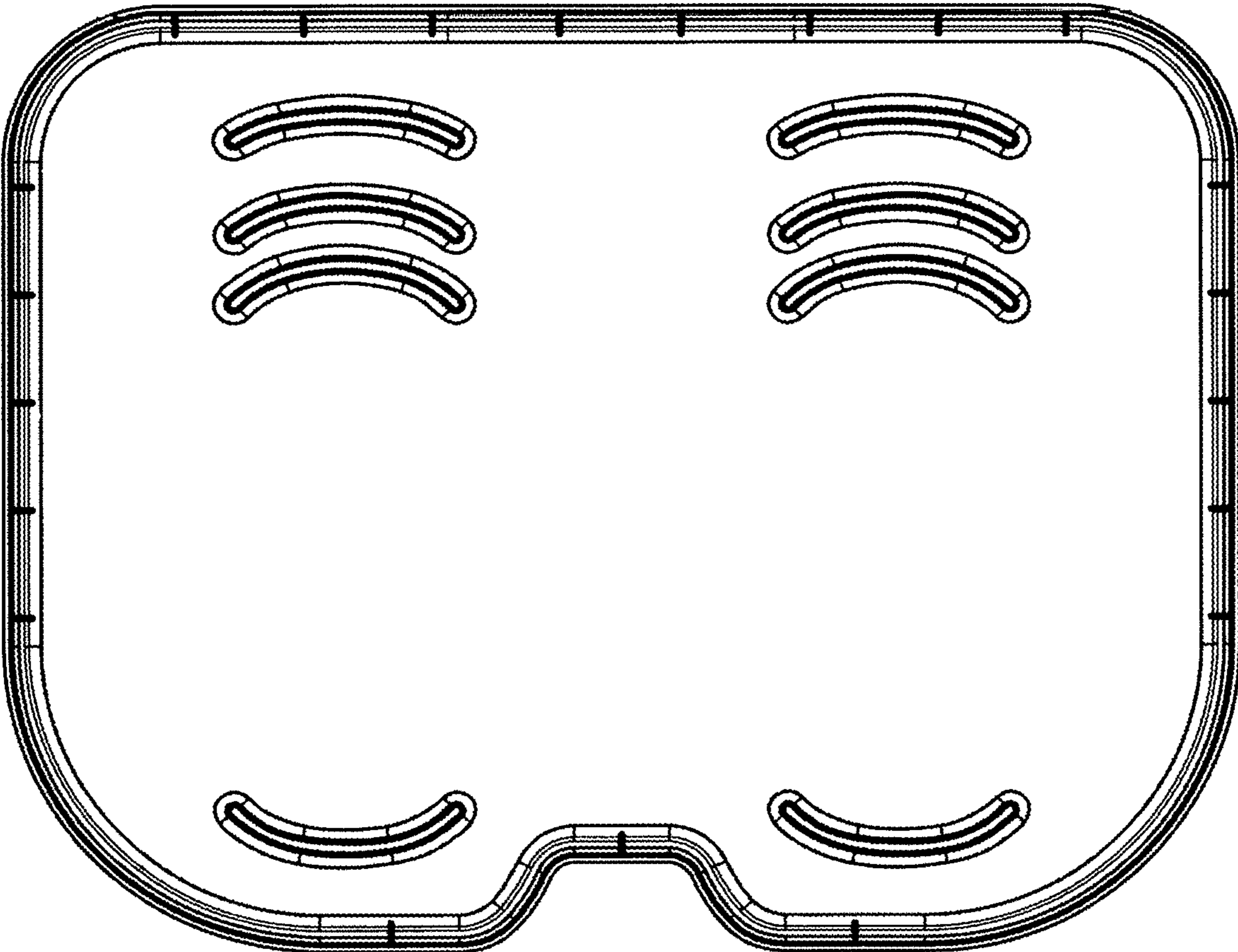
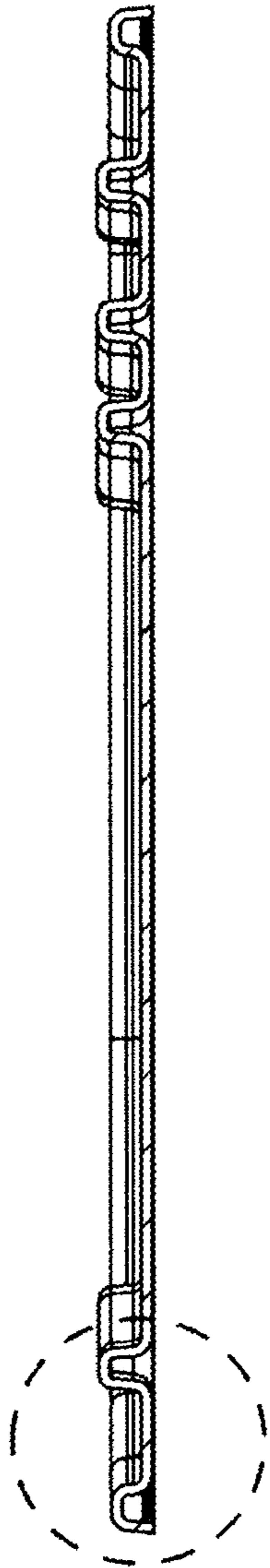


FIGURE 2



SECTION A-A

FIGURE 3

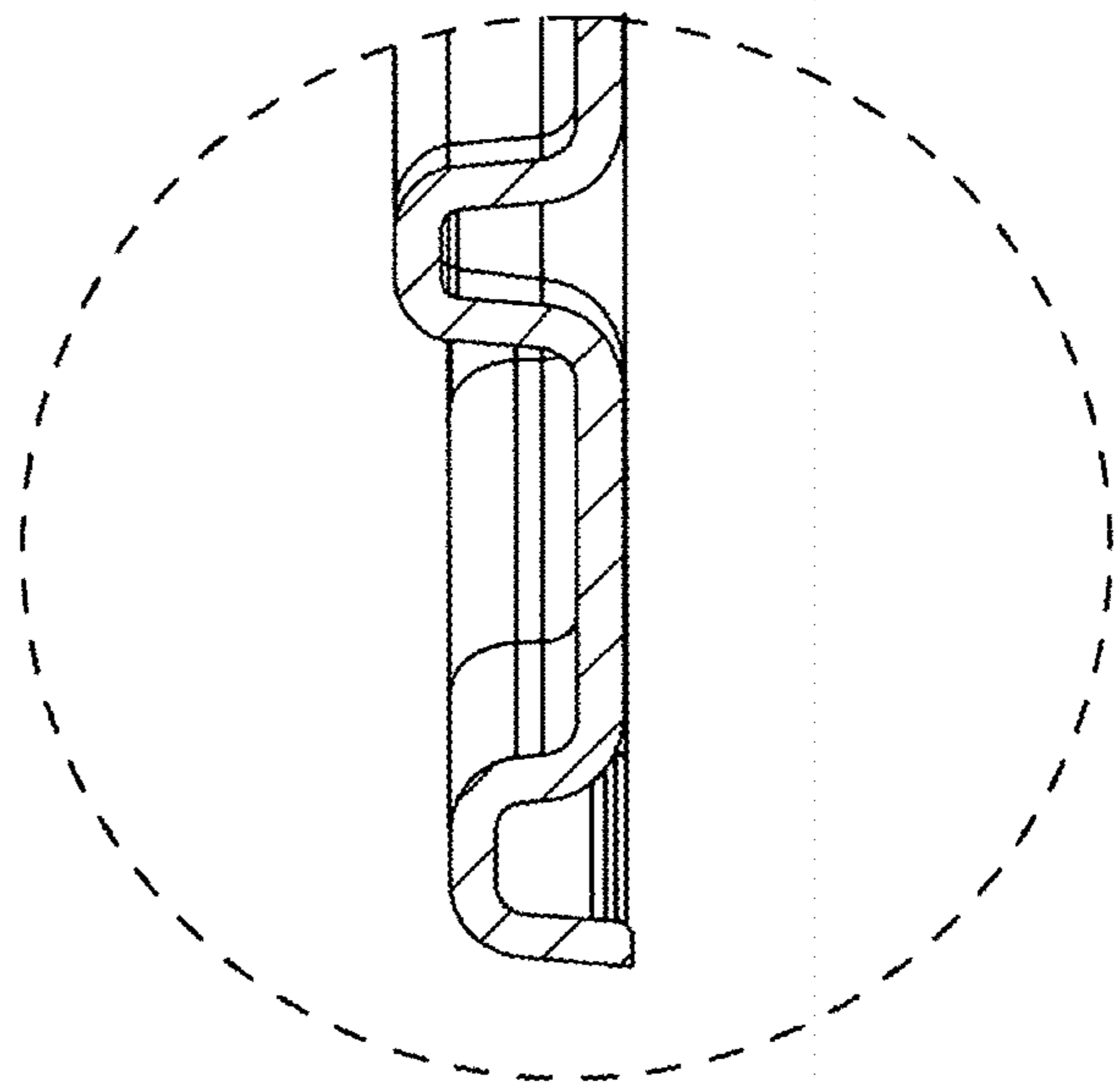


FIGURE 4

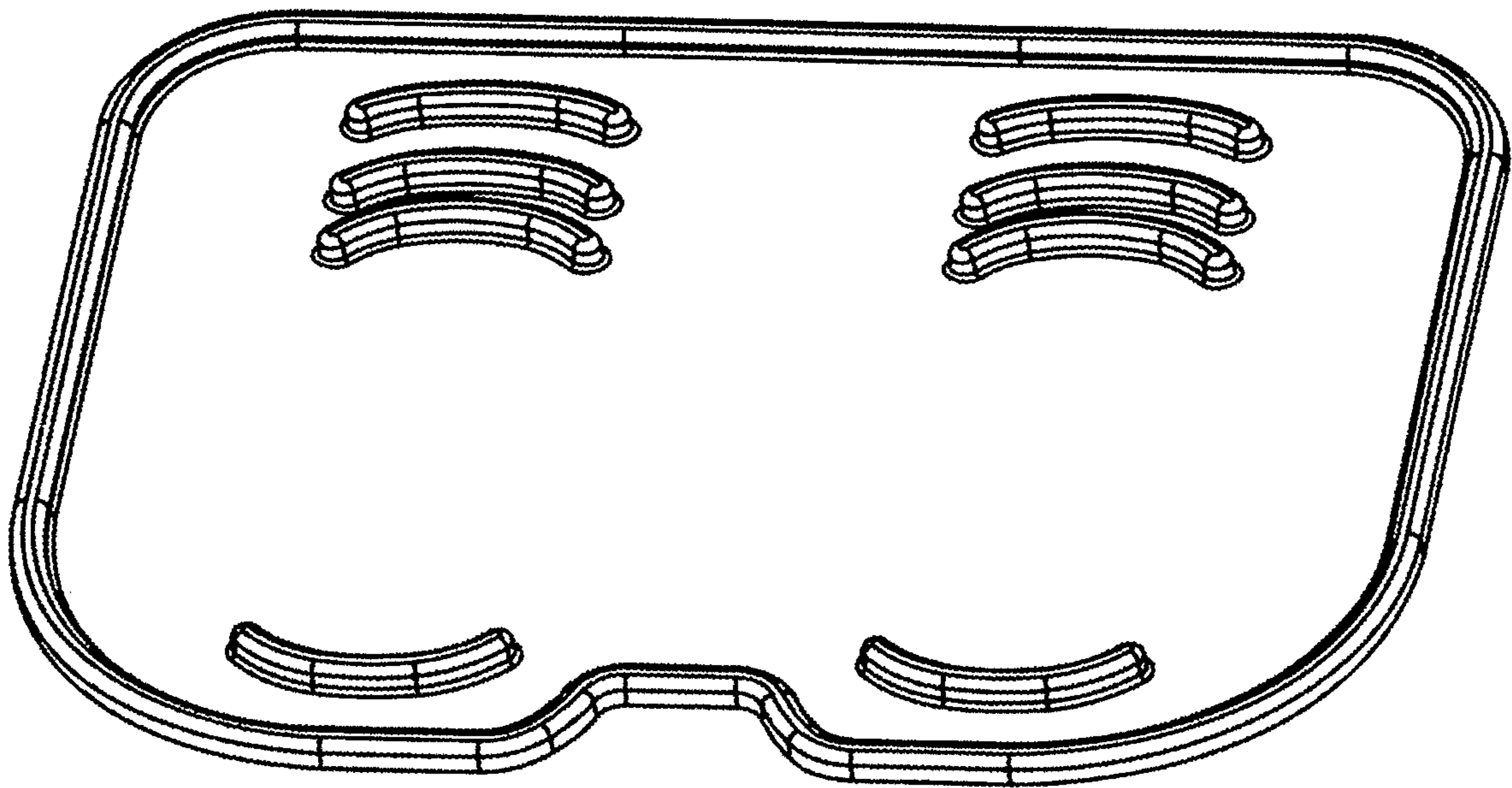


FIGURE 5