



US00D880785S

(12) **United States Design Patent**  
**Haney**

(10) **Patent No.:** **US D880,785 S**

(45) **Date of Patent:** **\*\* Apr. 7, 2020**

- (54) **BAMBOO BIRD FEEDER**
- (71) Applicant: **WOODSTREAM CORPORATION**,  
Lititz, PA (US)
- (72) Inventor: **Luke Haney**, Lititz, PA (US)
- (73) Assignee: **WOODSTREAM CORPORATION**,  
Lititz, PA (US)
- (\*\*) Term: **15 Years**
- (21) Appl. No.: **29/673,605**
- (22) Filed: **Dec. 17, 2018**
- (51) **LOC (12) Cl.** ..... **30-03**
- (52) **U.S. Cl.**  
USPC ..... **D30/126**
- (58) **Field of Classification Search**  
USPC ..... D30/121, 124, 126-129, 133, 199,  
D30/110-112, 123, 125; 119/60, 52.2,  
119/51.5, 61.5, 57.8, 57.9, 52.3, 61.1,  
119/531, 63, 428-435, 52.4, 55, 61.3,  
119/69.5, 75, 76; 47/67, 83; 248/318;  
D11/164, 152; 211/128.1; D27/123;  
D6/495, 460, 461, 476, 405  
CPC .... A01K 39/0106; A01K 39/00; A01K 39/01;  
A01K 39/0113; A01K 39/012; A01K  
39/06; A01K 5/0225; A01K 5/00  
See application file for complete search history.

(56) **References Cited**

**U.S. PATENT DOCUMENTS**

- 1,092,314 A \* 4/1914 White ..... A01K 5/015  
119/51.03
- 1,123,501 A \* 1/1915 Dreibelbis ..... A01K 5/0114  
119/51.01
- 1,221,019 A \* 4/1917 Bowdish ..... A01K 5/015  
119/51.03
- 1,334,182 A \* 3/1920 Speicher ..... A01K 39/014  
119/51.01

- 1,592,492 A \* 7/1926 Kelly ..... A01K 39/01  
119/60
- 1,592,493 A \* 7/1926 Kelly ..... A01K 39/0106  
119/60
- D103,963 S \* 4/1937 Butler ..... D30/127
- D120,350 S \* 5/1940 Moore ..... D30/126
- 2,504,282 A \* 4/1950 Tobias ..... A01K 39/0106  
119/51.03
- D162,139 S \* 2/1951 Ehrenfeld ..... D30/126
- D175,677 S \* 9/1955 Gallo ..... D30/126
- 3,094,100 A \* 6/1963 Wise ..... A01K 39/0106  
119/51.03
- 3,241,525 A \* 3/1966 Meier ..... A01K 39/0113  
119/55
- 3,273,537 A \* 9/1966 Orr ..... A01K 1/10  
119/51.03

(Continued)

*Primary Examiner* — Susan Moon Lee

(74) *Attorney, Agent, or Firm* — Jacobson Holman,  
PLLC.

(57) **CLAIM**

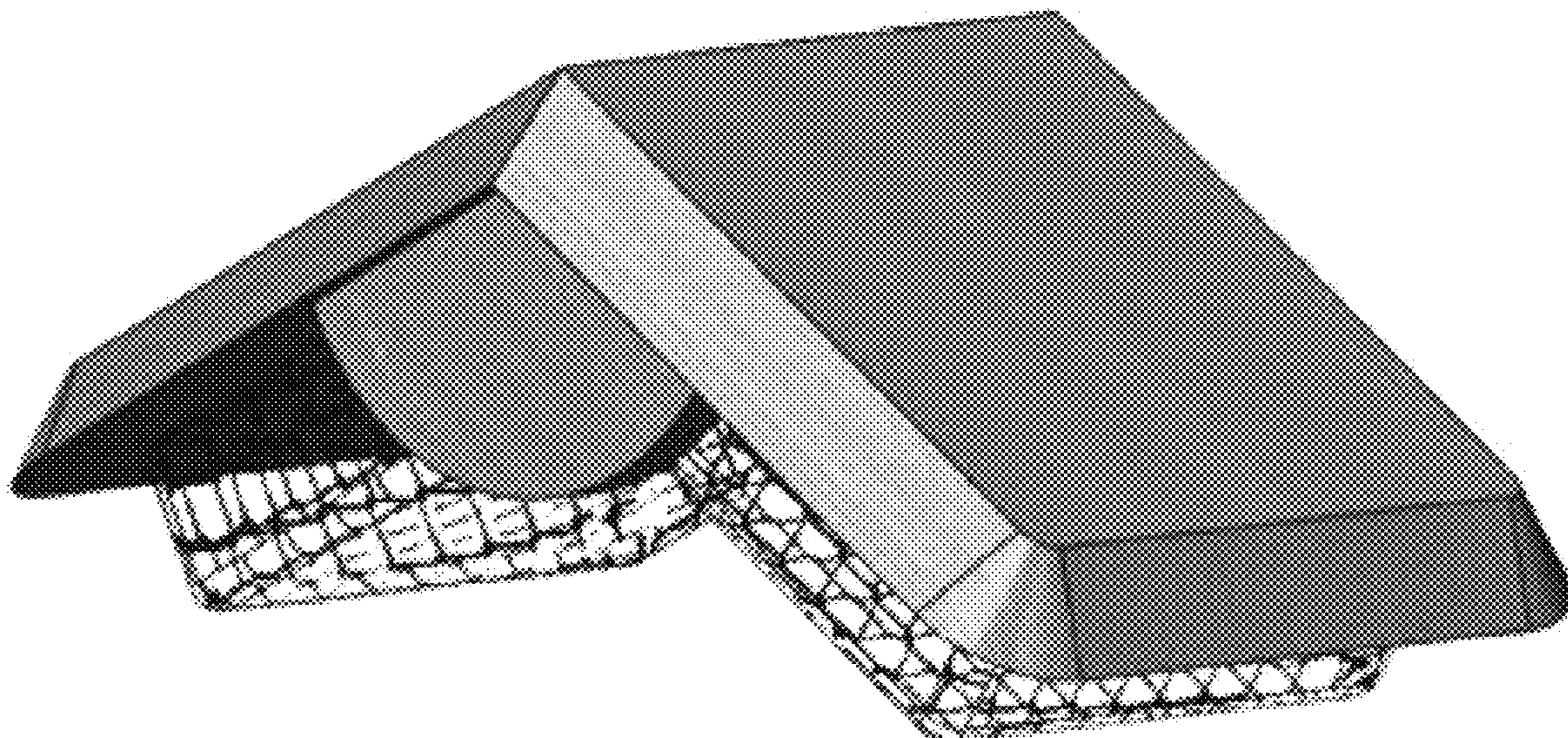
I claim the ornamental design for a bamboo bird feeder, as shown and described.

**DESCRIPTION**

The patent file contains at least one drawing executed in color. Copies of this patent with color drawing(s) will be provided by the Patent and Trademark Office upon request and payment of the necessary fee.

FIG. 1 is a side perspective view of a bamboo bird feeder; FIG. 2 is a front perspective view thereof; FIG. 3 is an interior perspective view thereof; FIG. 4 is a front elevation view thereof; FIG. 5 is a side view thereof; FIG. 6 is a rear elevation view thereof; and, FIG. 7 is a back perspective view thereof. Colored drawings are the only practicable medium for illustrating the claimed invention.

**1 Claim, 7 Drawing Sheets**  
**(7 of 7 Drawing Sheet(s) Filed in Color)**



(56)

References Cited

U.S. PATENT DOCUMENTS

3,301,217 A \* 1/1967 Prowinsky ..... A01K 39/0113  
119/57.9  
4,150,505 A \* 4/1979 Voelker ..... A01M 23/04  
119/428  
D261,248 S \* 10/1981 Birmingham ..... D11/121  
5,052,342 A \* 10/1991 Schneider ..... A01K 39/0106  
119/51.03  
D329,723 S \* 9/1992 Carpenter ..... D30/126  
5,189,985 A \* 3/1993 Brady ..... A01K 5/01  
119/51.03  
D342,590 S \* 12/1993 Bransky ..... D30/124  
D351,691 S \* 10/1994 Lipton ..... D30/127  
D373,660 S \* 9/1996 Gates ..... D30/124  
D376,446 S \* 12/1996 Kerr ..... D30/124  
D376,877 S \* 12/1996 Hardison ..... D30/124  
5,642,829 A \* 7/1997 Hardison ..... B65D 7/20  
220/4.22  
5,699,752 A \* 12/1997 Wilkins ..... A01K 39/0106  
119/51.03  
5,704,312 A \* 1/1998 Fintel ..... A01K 39/0106  
119/57.9  
D398,722 S \* 9/1998 Hardison ..... 119/60  
5,806,458 A \* 9/1998 Harwich ..... A01K 39/0106  
119/51.03  
5,826,539 A \* 10/1998 Bloedorn ..... A01K 39/01  
119/52.2  
5,826,541 A \* 10/1998 Wilkins ..... A01K 39/0106  
119/57.8  
6,024,047 A \* 2/2000 Hoogland ..... A01K 39/0106  
119/467  
D426,683 S \* 6/2000 Rogers ..... D30/124

D449,905 S \* 10/2001 Laurence ..... D30/121  
D462,486 S \* 9/2002 Razor ..... D30/126  
6,499,429 B1 \* 12/2002 Hein ..... A01K 39/01  
119/51.03  
D514,748 S \* 2/2006 Sweasy ..... D30/124  
D515,246 S \* 2/2006 Lory, II ..... D30/126  
D612,548 S \* 3/2010 Campbell ..... D30/126  
7,798,102 B2 \* 9/2010 Mouzakitis ..... A01K 61/85  
119/200  
8,763,306 B1 \* 7/2014 Perlsweig ..... A01G 13/10  
47/41.1  
D742,078 S \* 10/2015 Singh ..... D30/121  
D791,413 S \* 7/2017 Warren ..... D30/121  
10,159,224 B1 \* 12/2018 Horrigan ..... A01K 39/0106  
10,327,436 B2 \* 6/2019 Bevacqua ..... A01M 29/30  
2004/0194727 A1 \* 10/2004 Conway ..... A01K 39/0106  
119/600  
2007/0028843 A1 \* 2/2007 Nock ..... A01K 39/0106  
119/51.03  
2007/0084412 A1 \* 4/2007 Eager ..... A01K 39/0106  
119/51.03  
2007/0266951 A1 \* 11/2007 Berns ..... A01K 39/012  
119/57.8  
2008/0134979 A1 \* 6/2008 Crocker ..... A01K 39/0106  
119/51.5  
2012/0073505 A1 \* 3/2012 Cote ..... A01K 39/0106  
119/51.03  
2013/0055957 A1 \* 3/2013 Butt ..... A01K 5/008  
119/65  
2013/0112148 A1 \* 5/2013 Warren ..... A01K 5/01  
119/65  
2016/0044893 A1 \* 2/2016 Jubinville ..... A01K 1/105  
119/60  
2017/0164585 A1 \* 6/2017 Cote ..... A01K 39/0106

\* cited by examiner

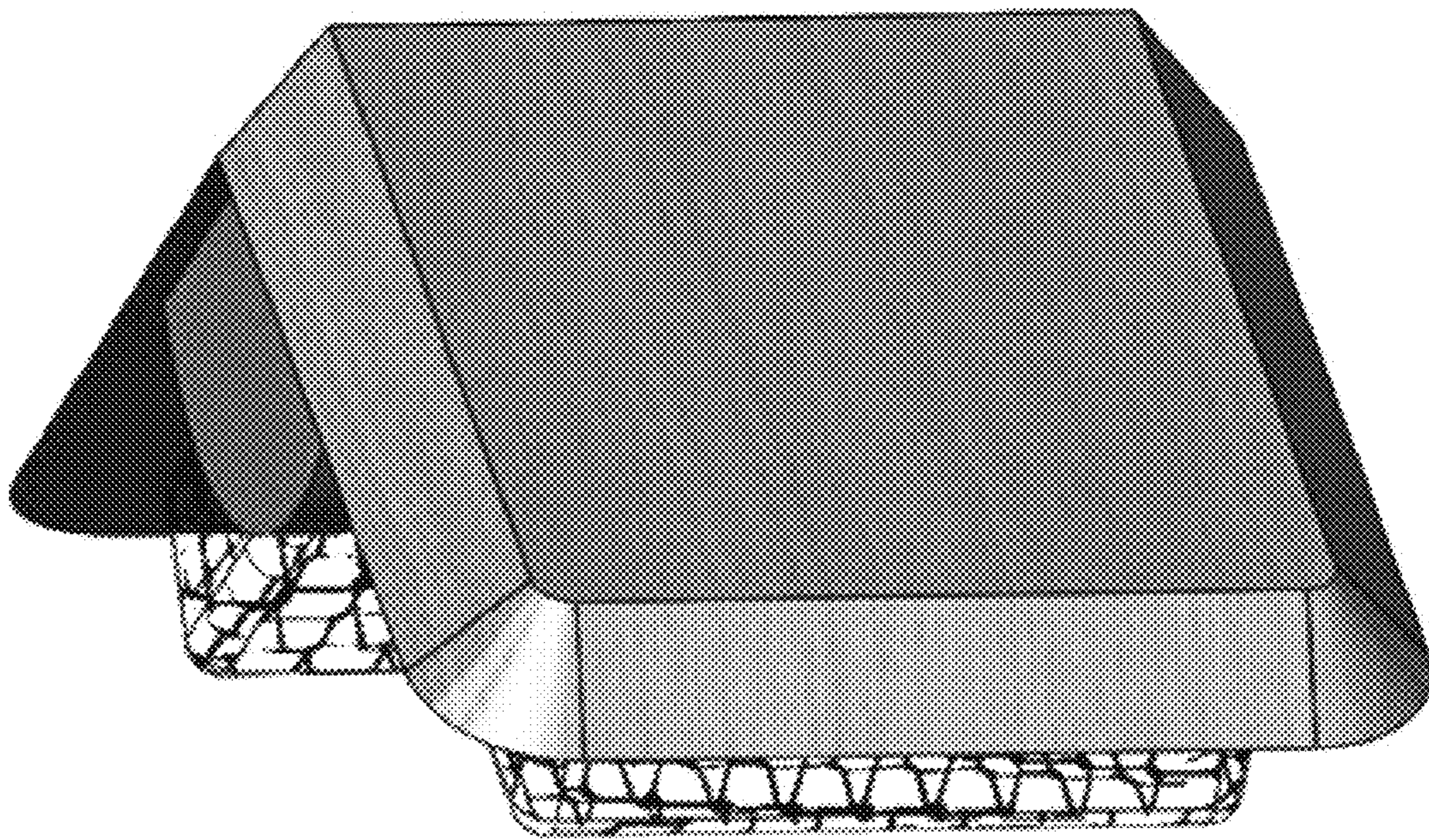


FIG. 1

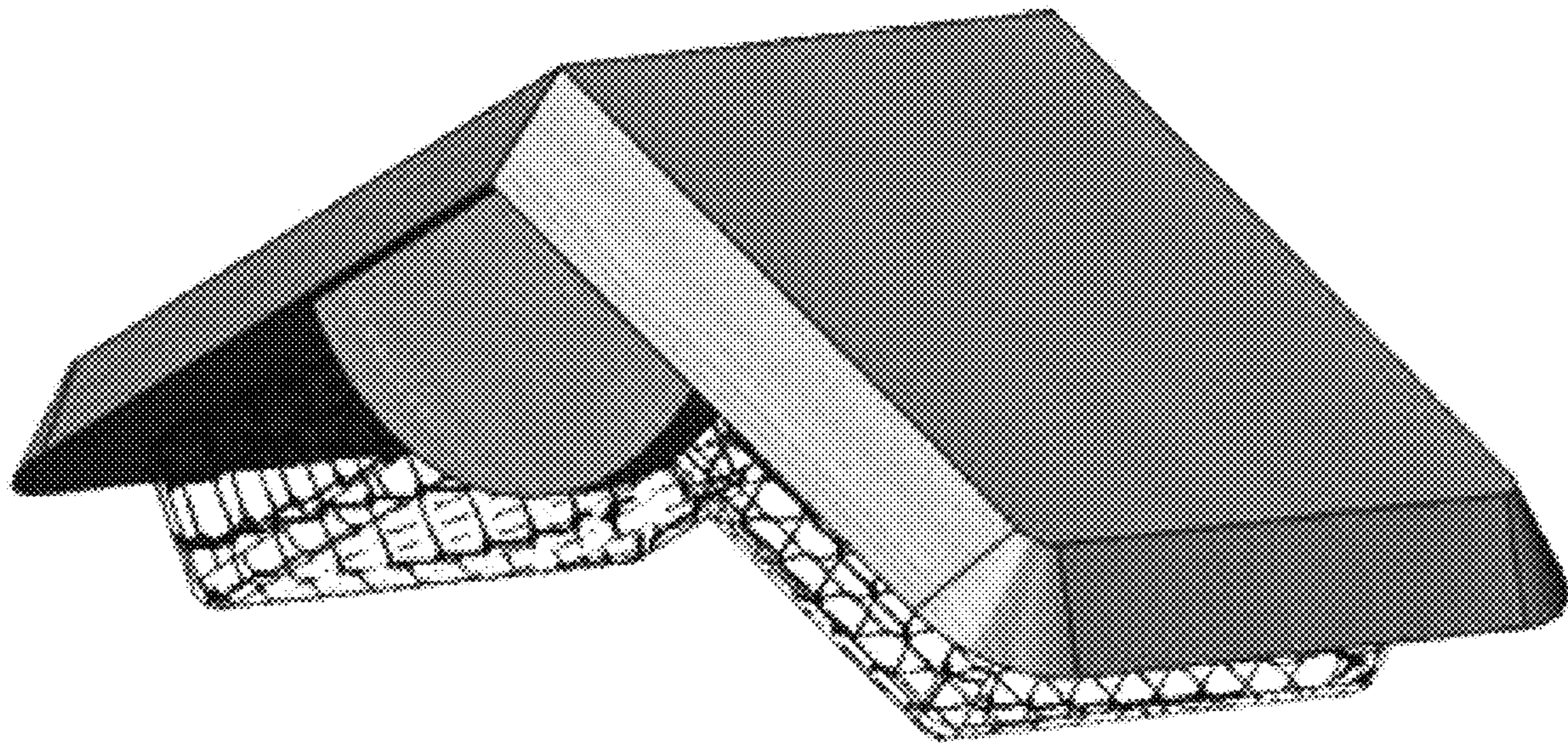


FIG. 2

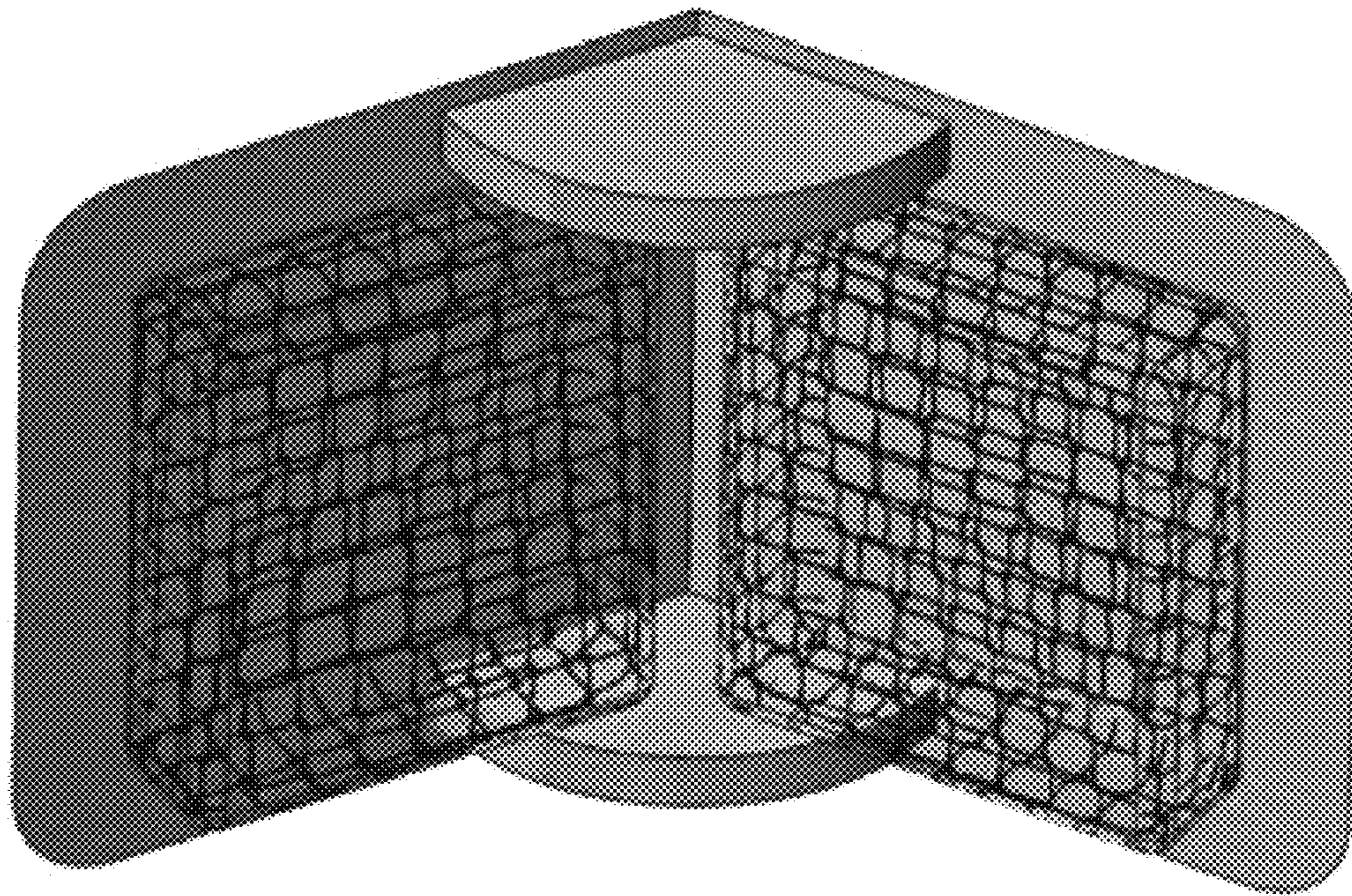


FIG. 3

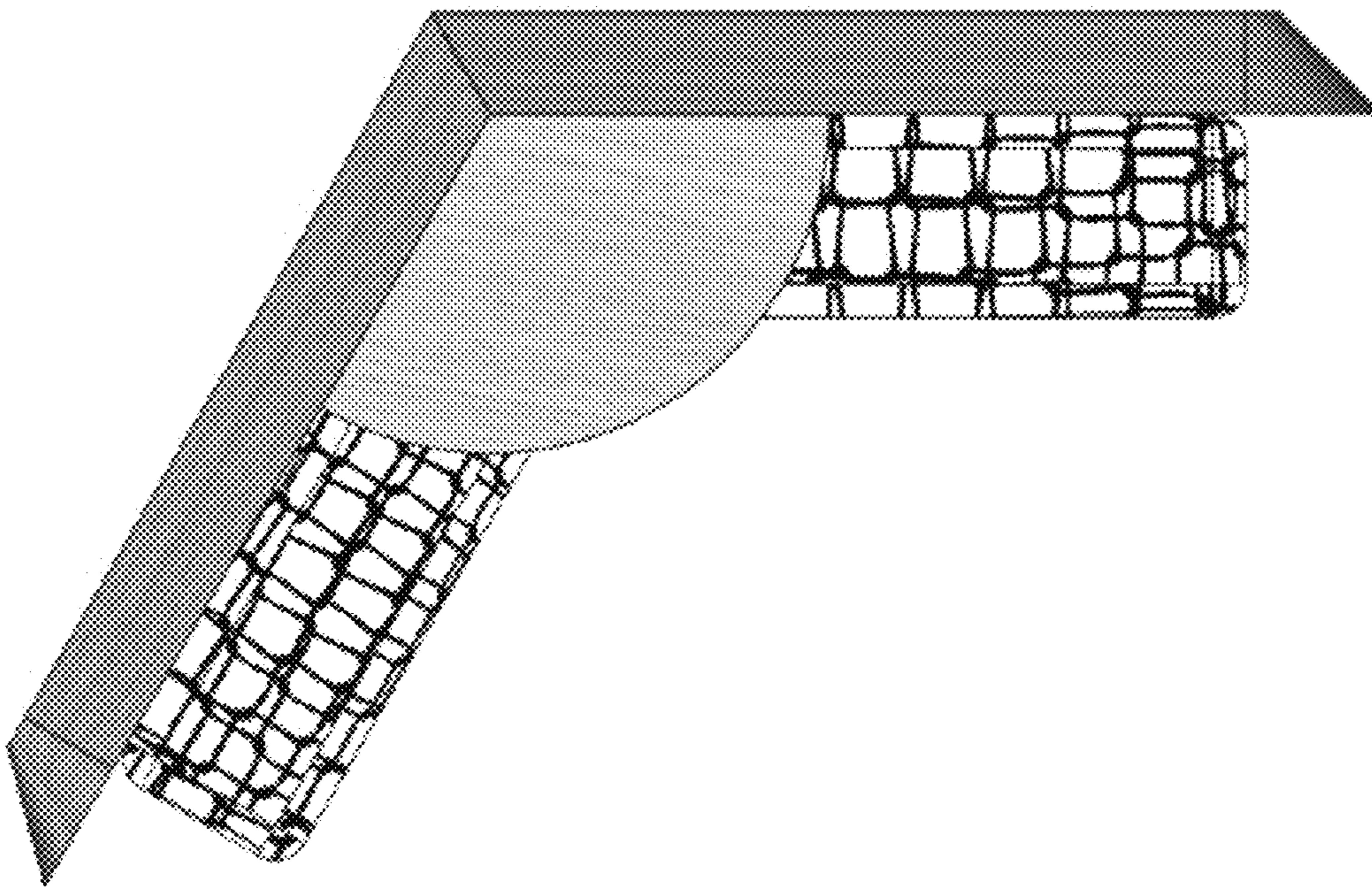


FIG. 4

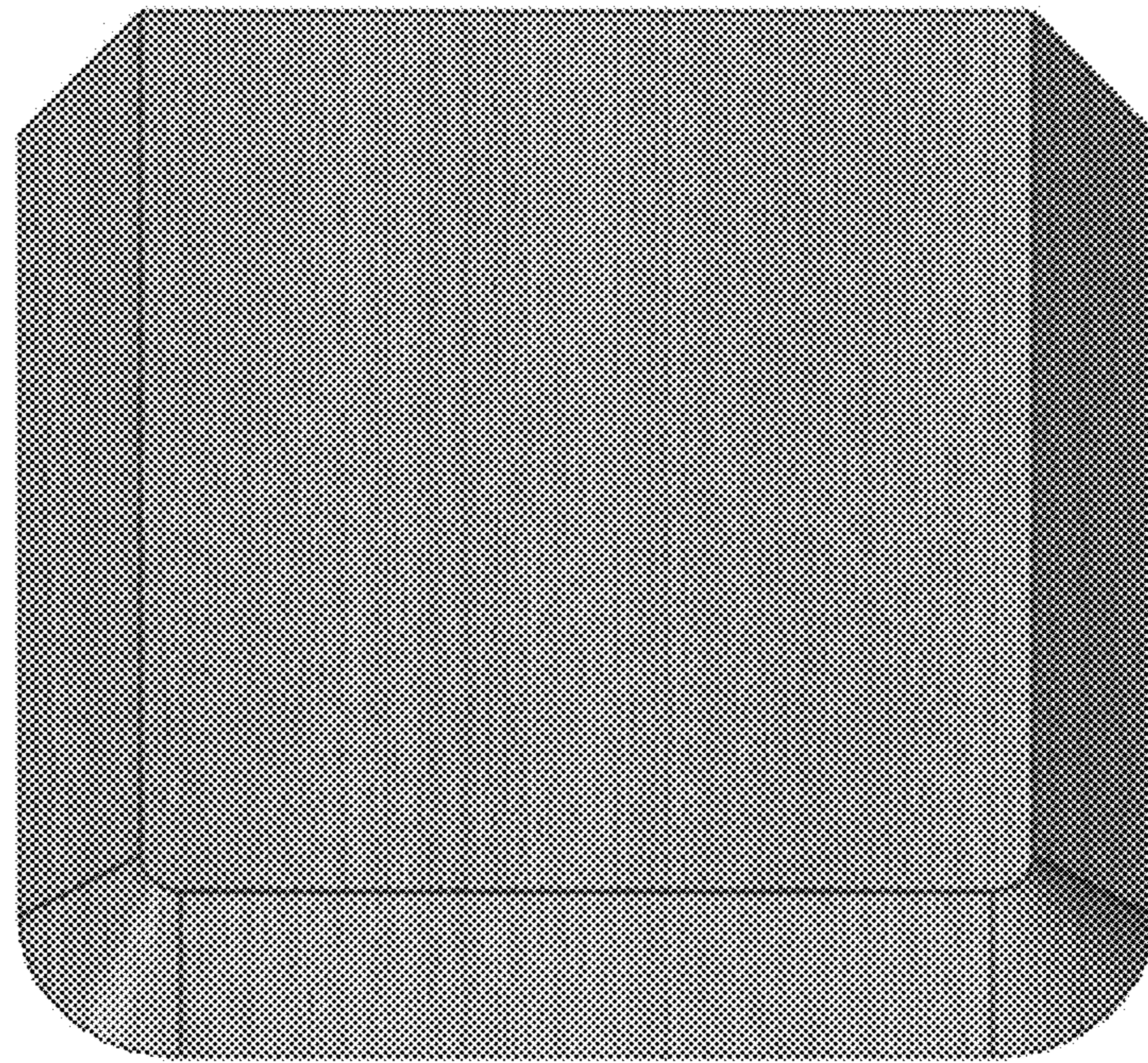


FIG. 5

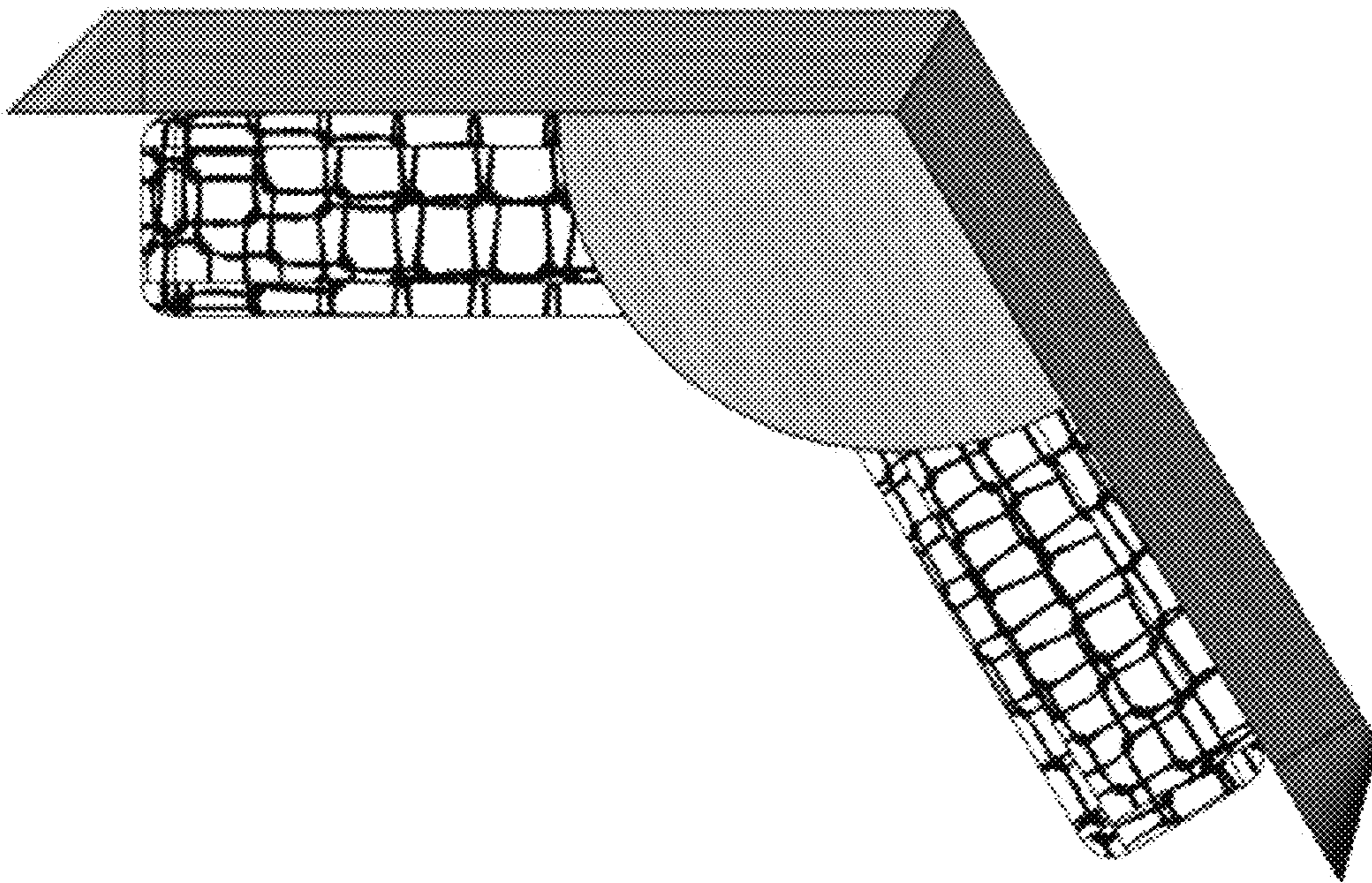


FIG. 6



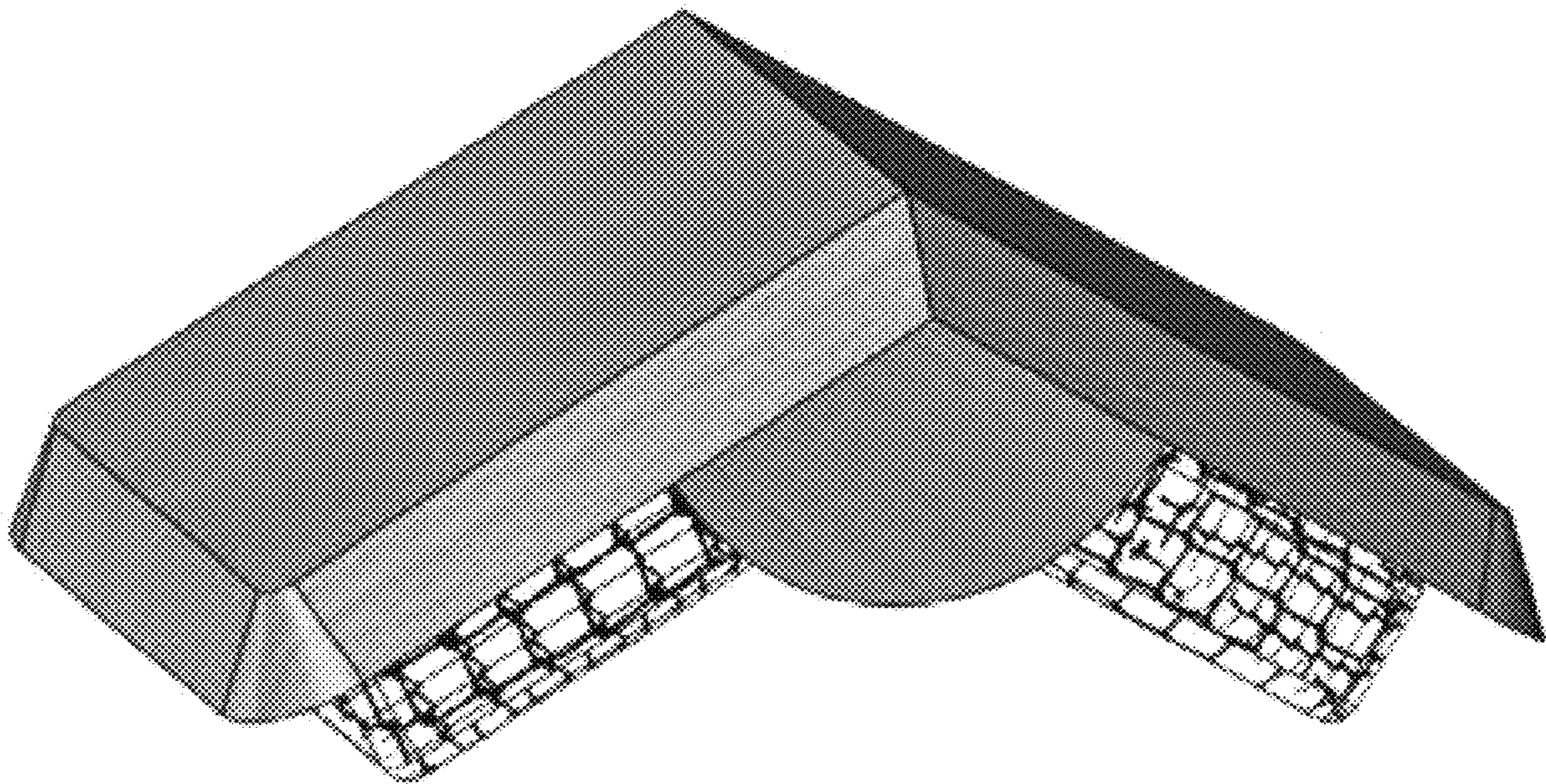


FIG. 7