



US00D880783S

(12) **United States Design Patent**
Clow

(10) **Patent No.:** **US D880,783 S**

(45) **Date of Patent:** **** Apr. 7, 2020**

- (54) **BEEHIVE BEE ESCAPE**
- (71) Applicant: **Ceracell Beekeeping Supplies (NZ) Limited, Drury (NZ)**
- (72) Inventor: **Harold Bruce Clow, Drury (NZ)**
- (73) Assignee: **CERACELL BEEKEEPING SUPPLIES (NZ) LIMITED, Drury (NZ)**

(**) Term: **15 Years**

(21) Appl. No.: **29/667,380**

(22) Filed: **Oct. 21, 2018**

(51) **LOC (12) Cl.** **30-02**

(52) **U.S. Cl.**
USPC **D30/108; D30/119; D30/199**

(58) **Field of Classification Search**
USPC **D30/108-119, 160, 161, 199**
CPC **A01K 67/003; A01K 47/00; A01K 59/00;**
A01K 53/00; A01K 47/06; A01K 1/0245;
A01K 1/00; A01K 1/02; A01K 1/03;
A01K 1/031

See application file for complete search history.

(56) **References Cited**

U.S. PATENT DOCUMENTS

- 860,852 A * 7/1907 Cary A01K 47/06
449/10
- 4,229,848 A * 10/1980 Shaparew A01K 47/06
449/23
- 5,830,039 A * 11/1998 Fraser-Jones A01K 47/04
449/2
- D433,165 S * 10/2000 Moreau D25/156
- 6,530,819 B1 * 3/2003 Rovera A01K 47/04
449/44
- D617,958 S * 6/2010 Benincasa D30/108

- D659,293 S * 5/2012 Ferguson D30/108
- D754,404 S * 4/2016 Jansen D30/119
- D839,494 S * 1/2019 Wrathall D30/120
- 2011/0306272 A1 * 12/2011 Ferguson A01K 47/06
449/25
- 2014/0199914 A1 * 7/2014 Collinson A01K 47/06
449/2
- 2016/0227745 A1 * 8/2016 Reed A01K 47/02
- 2017/0135323 A1 * 5/2017 Gerogiannis A01K 47/00

OTHER PUBLICATIONS

“The Great Escape—(10 Frame)—Ceracell” available Aug. 12, 2019, [online], [site visited Aug. 12, 2019]. Retrieved from Internet, URL:https://www.ceracell.co.nz/ceracell-great-escape-10-frame-hive-size/ (Year: 2019).*

* cited by examiner

Primary Examiner — Michael C Stout

Assistant Examiner — Katrina N Gonzalez

(74) *Attorney, Agent, or Firm* — FisherBroyles, LLP; Ariel Reinitz

(57) **CLAIM**

The ornamental design for a beehive bee escape, as shown and described.

DESCRIPTION

FIG. 1 is a top perspective view of a beehive bee escape showing my new design;

FIG. 2 is a bottom perspective view thereof;

FIG. 3 is a top view thereof;

FIG. 4 is a cross sectional view along line 4-4 of FIG. 3;

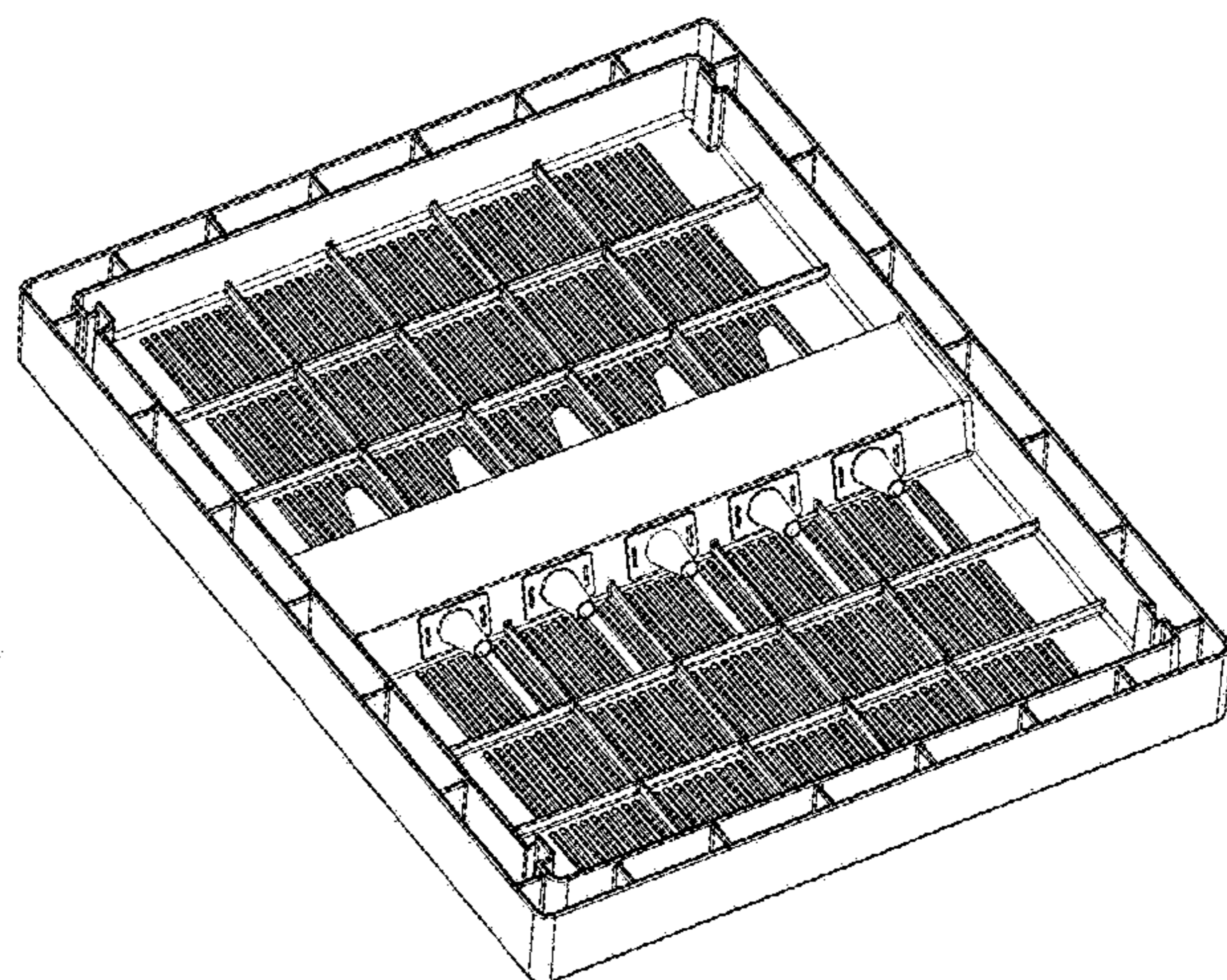
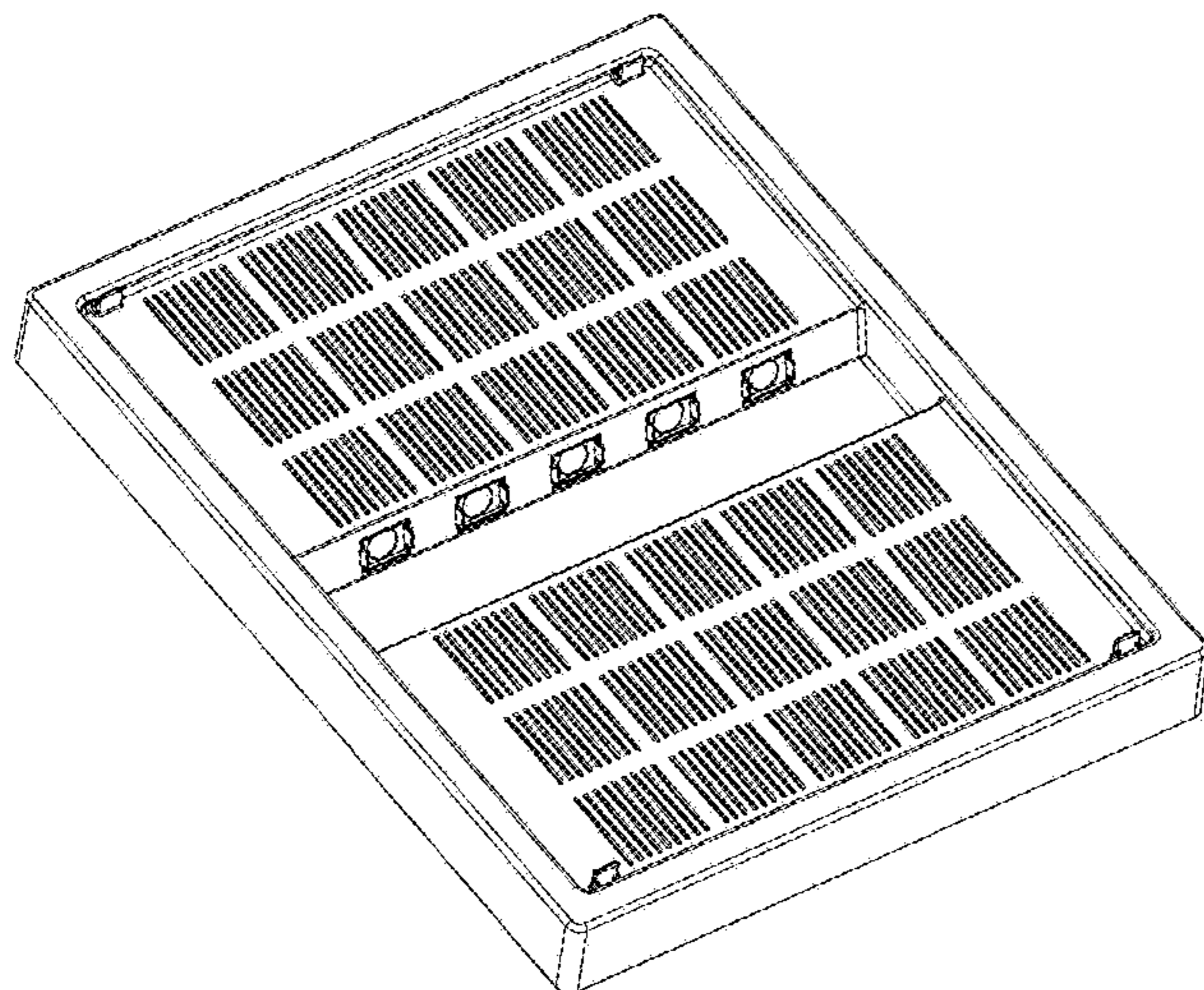
FIG. 5 is a cross sectional view along line 5-5 of FIG. 3;

FIG. 6 is a bottom view thereof;

FIG. 7 is an end view, the opposite end being identical; and,

FIG. 8 is a side view, the opposite side being identical.

1 Claim, 8 Drawing Sheets



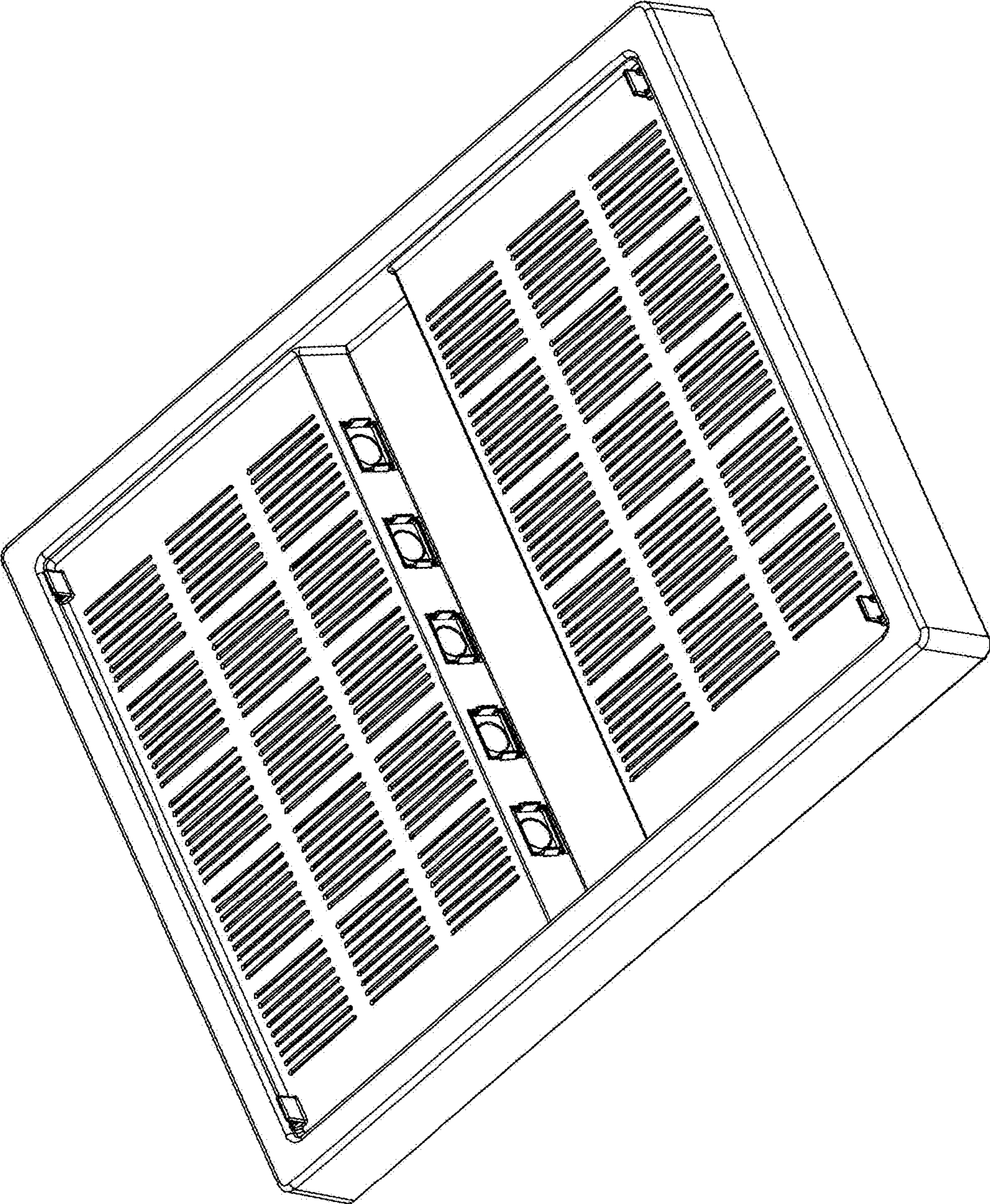


FIG. 1

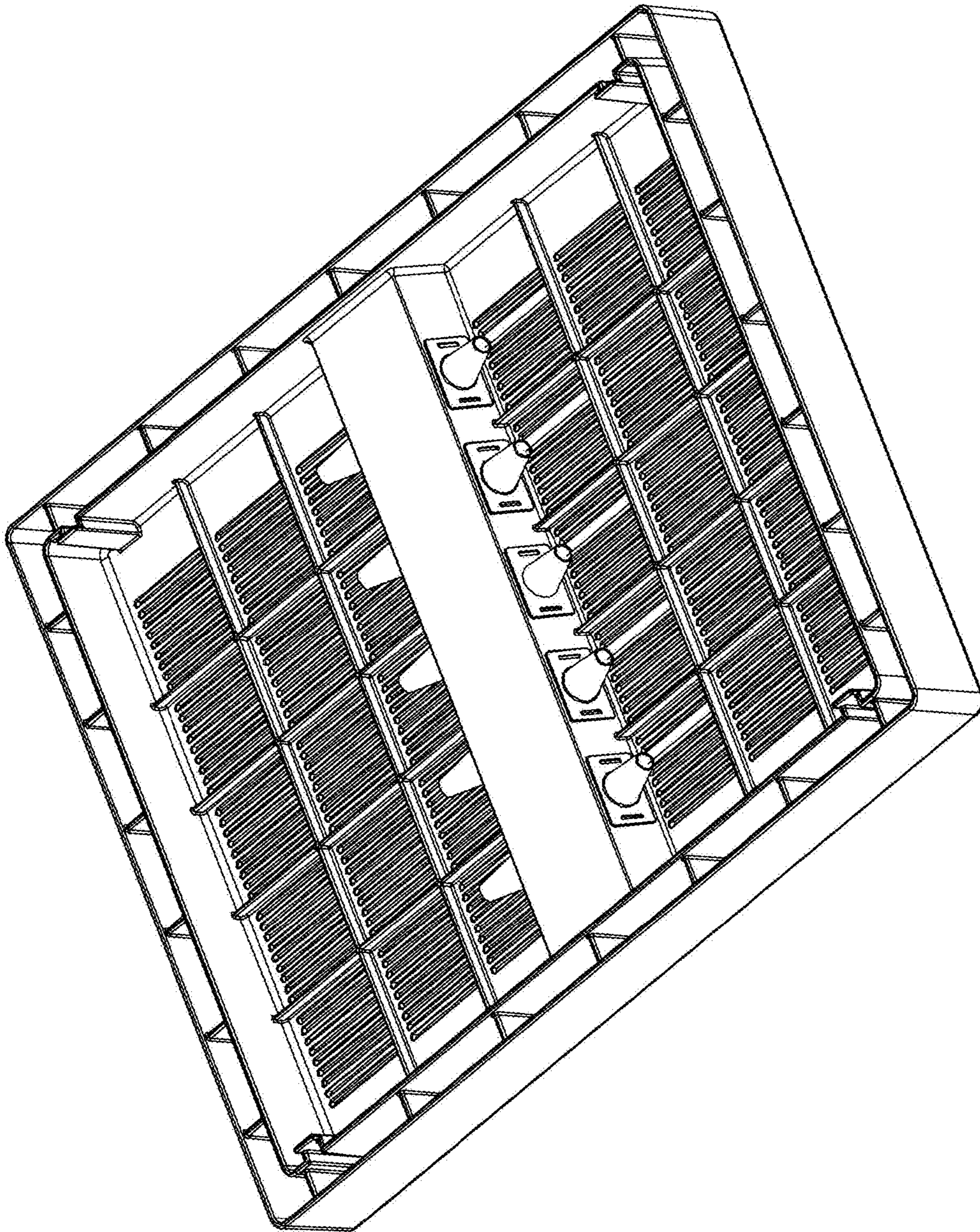


FIG. 2

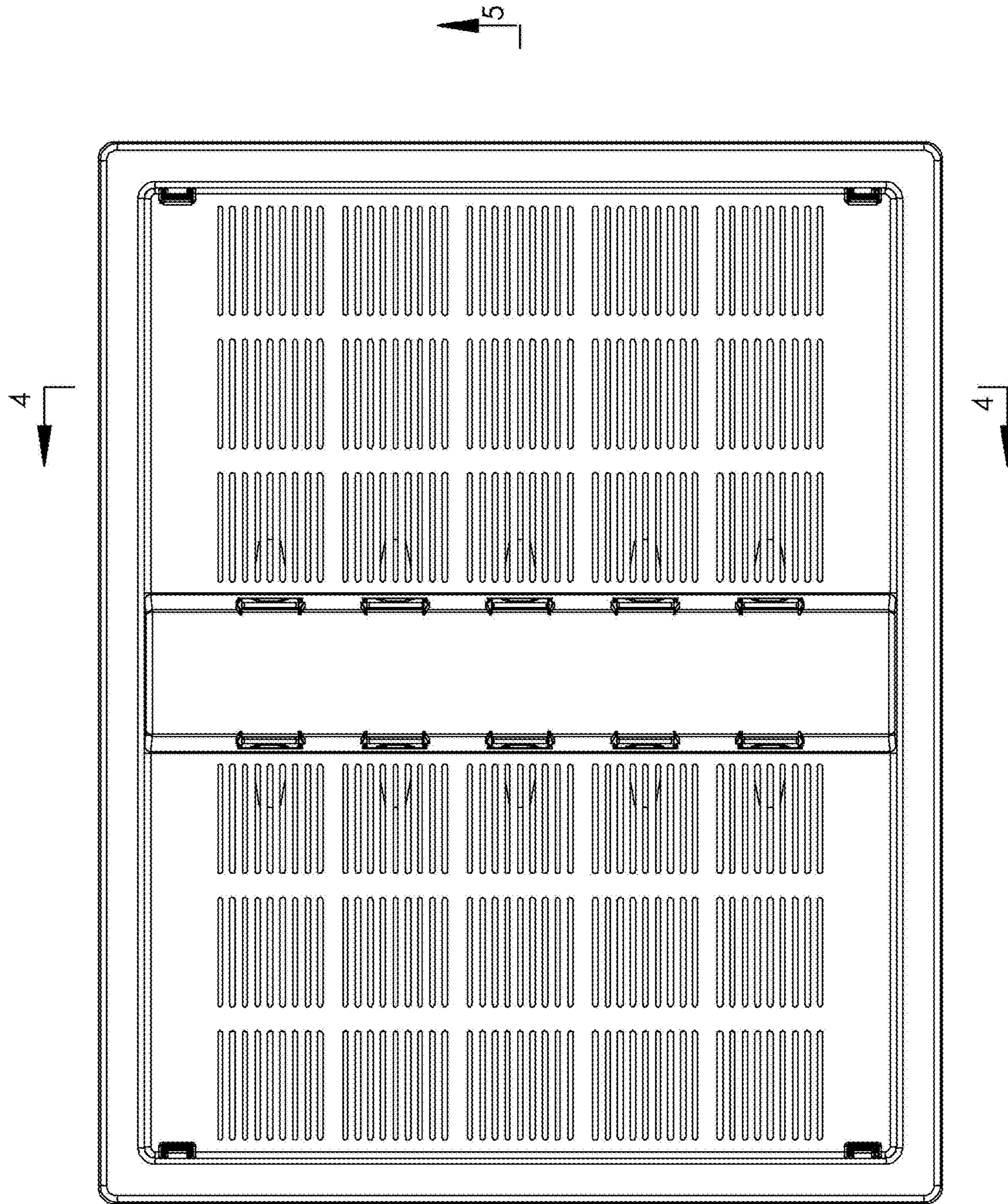


FIG. 3

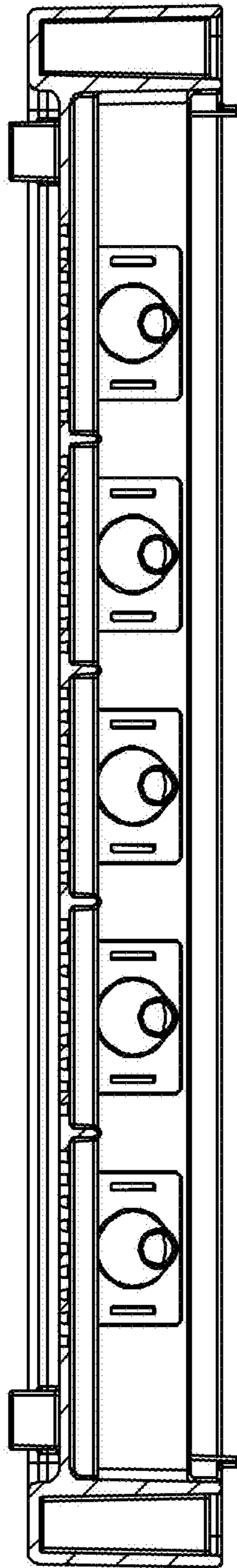


FIG. 4

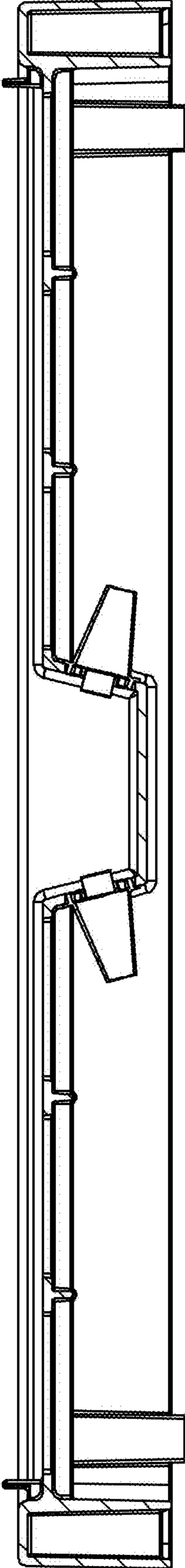


FIG. 5

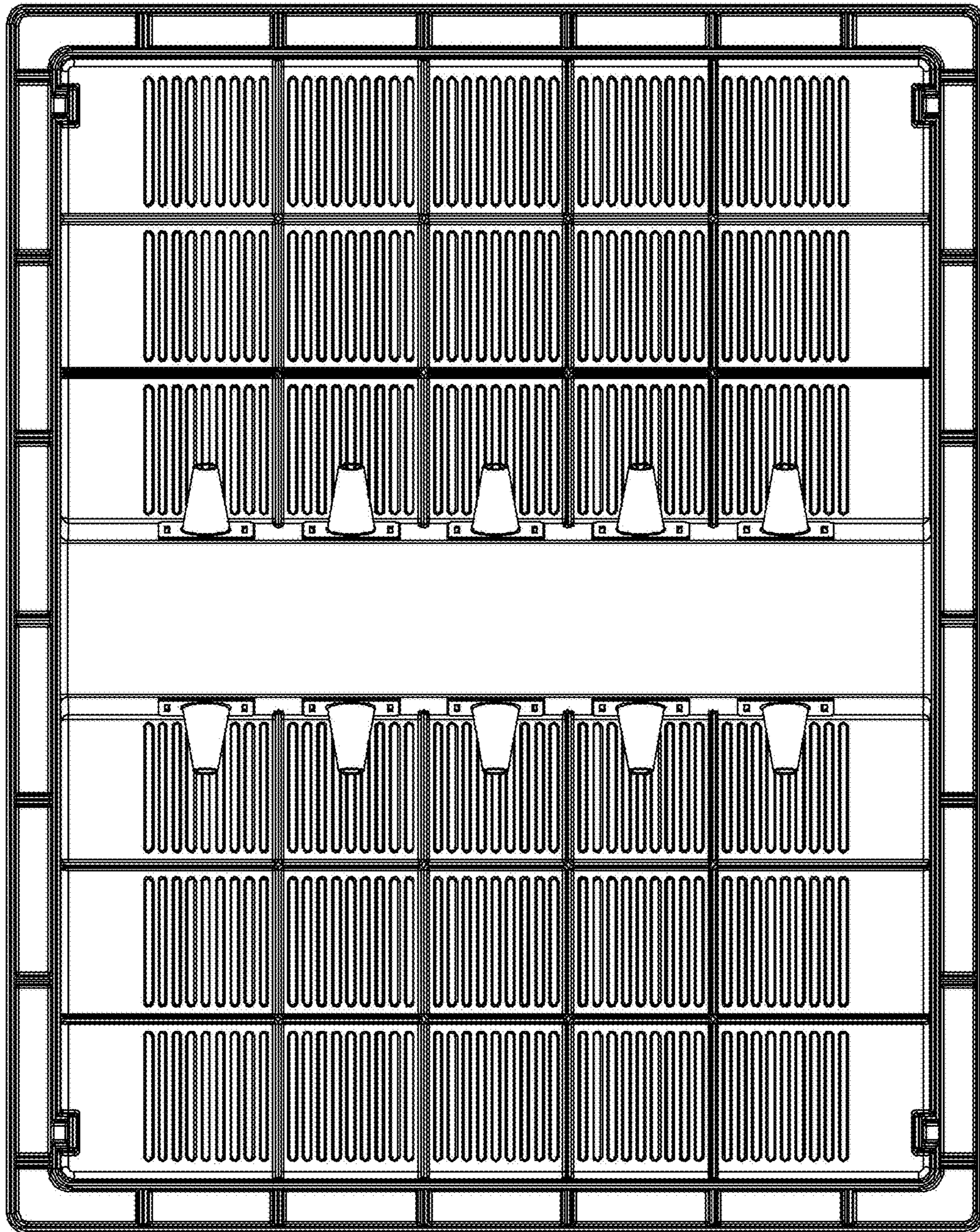


FIG. 6

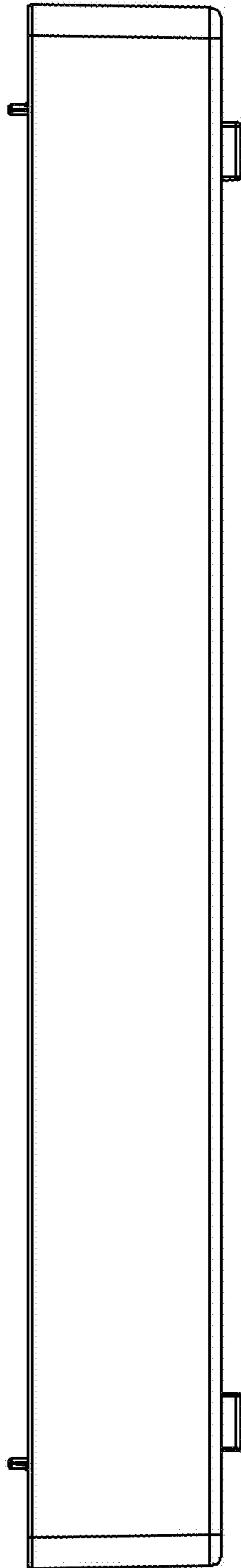


FIG. 7

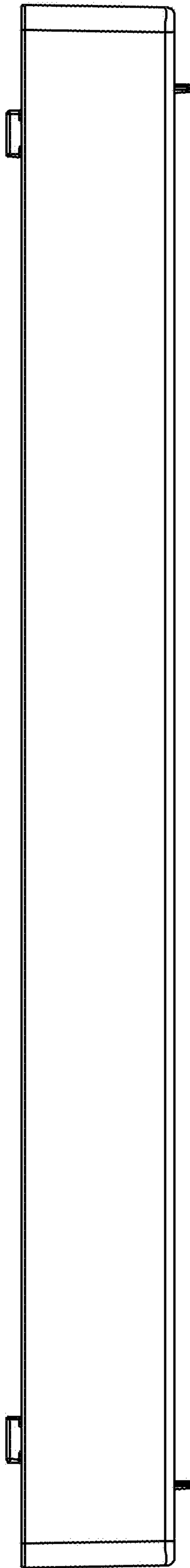


FIG. 8