



US00D880782S

(12) **United States Design Patent** (10) **Patent No.:** **US D880,782 S**  
**Lomis** (45) **Date of Patent:** **\*\* Apr. 7, 2020**

(54) **ANIMAL HABITAT FOR USE IN VETERINARY HOSPITALS**  
(71) Applicant: **BigCity Design Pty Ltd**, Hornsby (AU)  
(72) Inventor: **Dimitra Lomis**, Wahroonga (AU)  
(73) Assignee: **BigCity Design Pty Ltd** (AU)  
(\*\*) Term: **15 Years**  
(21) Appl. No.: **29/666,769**  
(22) Filed: **Oct. 16, 2018**  
(30) **Foreign Application Priority Data**

Apr. 16, 2018 (AU) ..... 201812214  
(51) **LOC (12) Cl.** ..... **30-02**  
(52) **U.S. Cl.**  
USPC ..... **D30/108**  
(58) **Field of Classification Search**  
USPC ..... D30/108–119, 160, 161, 199; 119/19,  
119/29, 482, 622, 702, 708  
CPC ..... A01K 1/0245; A01K 1/00; A01K 1/02;  
A01K 1/03; A01K 1/031; A01K 15/024;  
A01K 15/025; A01K 15/026; A01K  
15/027; A01K 1/0254; A01K 29/00  
See application file for complete search history.

(56) **References Cited**  
**U.S. PATENT DOCUMENTS**  
D358,277 S \* 5/1995 Frost, Jr. .... D6/661  
D793,627 S \* 8/2017 Spaile ..... D30/108  
D848,685 S \* 5/2019 Song ..... D30/160  
D853,057 S \* 7/2019 Itzhak-Sigron ..... D30/160  
2018/0139924 A1 \* 5/2018 Lomis ..... A01K 1/033

**FOREIGN PATENT DOCUMENTS**  
WO 2016179626 A1 11/2016

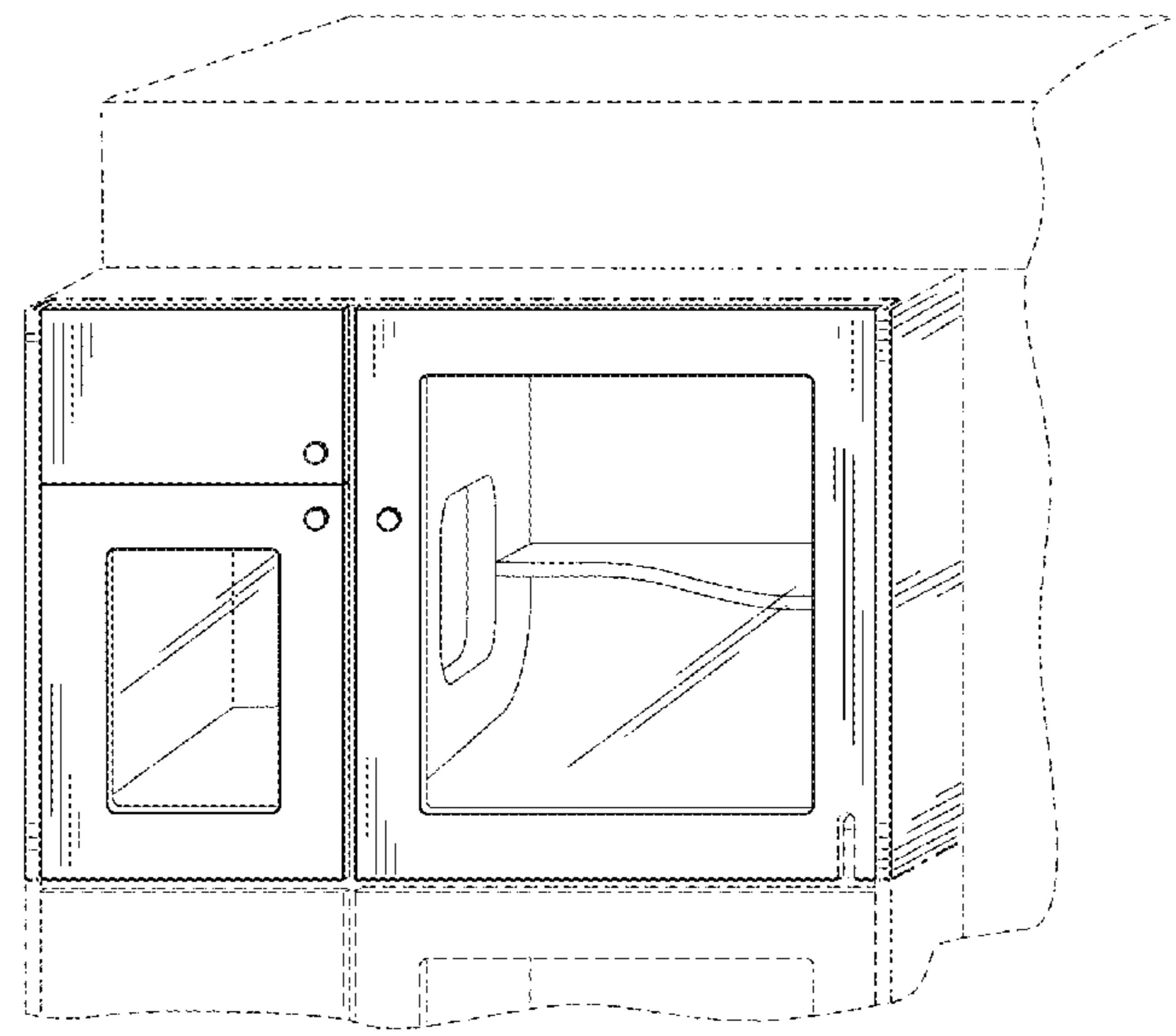
**OTHER PUBLICATIONS**  
“Cat Veterinary Cage Modular Ventilated” available Aug. 12, 2019, [online], [site visited Aug. 12, 2019]. Retrieved from Internet, URL: <http://www.medicalexpo.com/prod/doctorgimo/product-83853-837312.html> (Year: 2019).\*

\* cited by examiner  
*Primary Examiner* — Michael C Stout  
*Assistant Examiner* — Katrina N Gonzalez  
(74) *Attorney, Agent, or Firm* — Greenberg Traurig, LLP

(57) **CLAIM**  
I claim the ornamental design for an animal habitat for use in veterinary hospitals, as shown and described.

**DESCRIPTION**  
FIG. 1 is a front perspective view of an animal habitat for use in veterinary hospitals, showing my new design;  
FIG. 2 is a front view thereof;  
FIG. 3 is a top view thereof;  
FIG. 4 is a right side view thereof, the left side being symmetrical to the right;  
FIG. 5 is an enlarged detail view of the animal habitat for use in veterinary hospitals shown in FIG. 1;  
FIG. 6 is another enlarged detail view of the animal habitat for use in veterinary hospitals shown in FIG. 1;  
FIG. 7 is an enlarged detail view of FIG. 2;  
FIG. 8 is a cross-sectional view taken along and in the direction of line 8-8 in FIG. 7;  
FIG. 9 is a cross-sectional view taken along and in the direction of line 9-9 in FIG. 7; and,  
FIG. 10 is a cross-sectional view taken along and in the direction of line 10-10 in FIG. 7.  
The dash-dash broken lines in the figures represent environmental detail and form no part of the claimed design. The dash-dot broken lines represent the bounds of the claim and form no part of the claimed design.

**1 Claim, 7 Drawing Sheets**



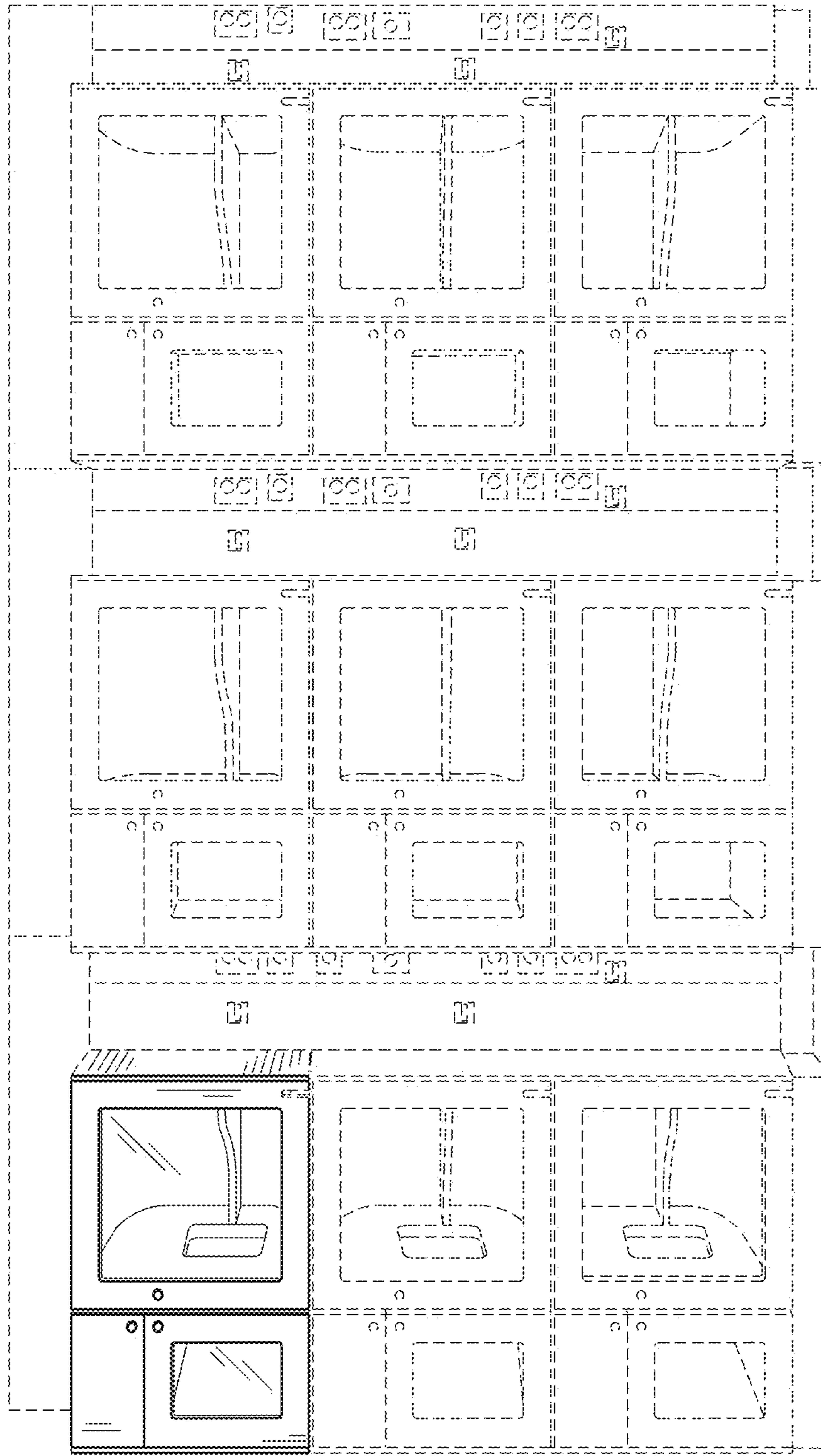


FIG. 1

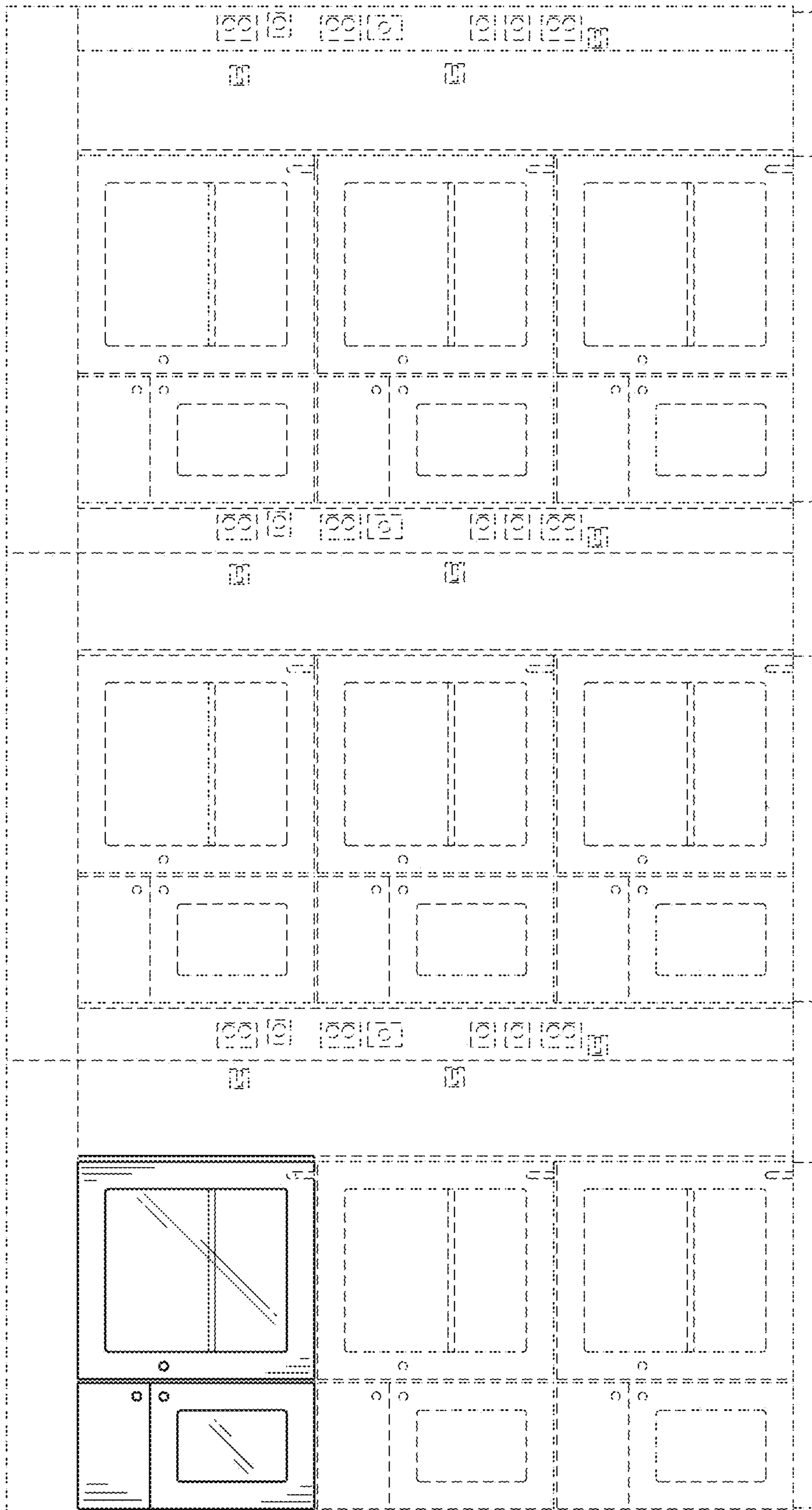


FIG. 2

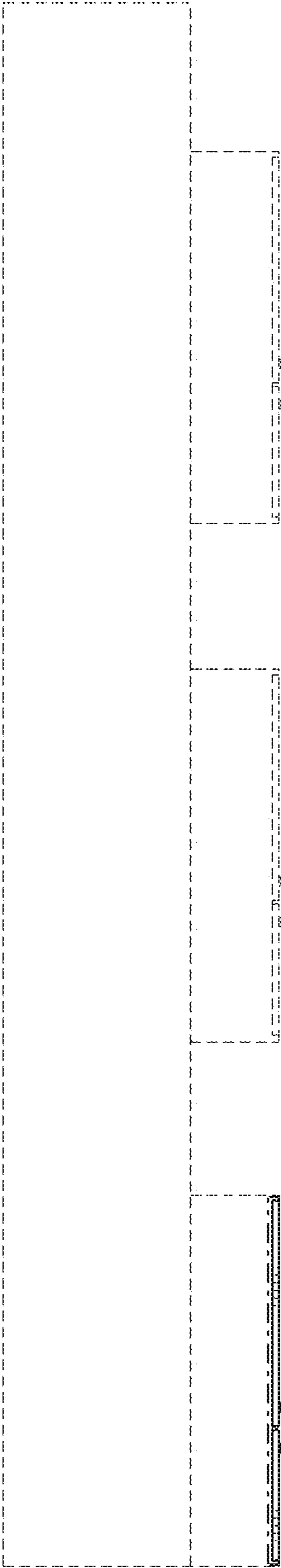


FIG. 3

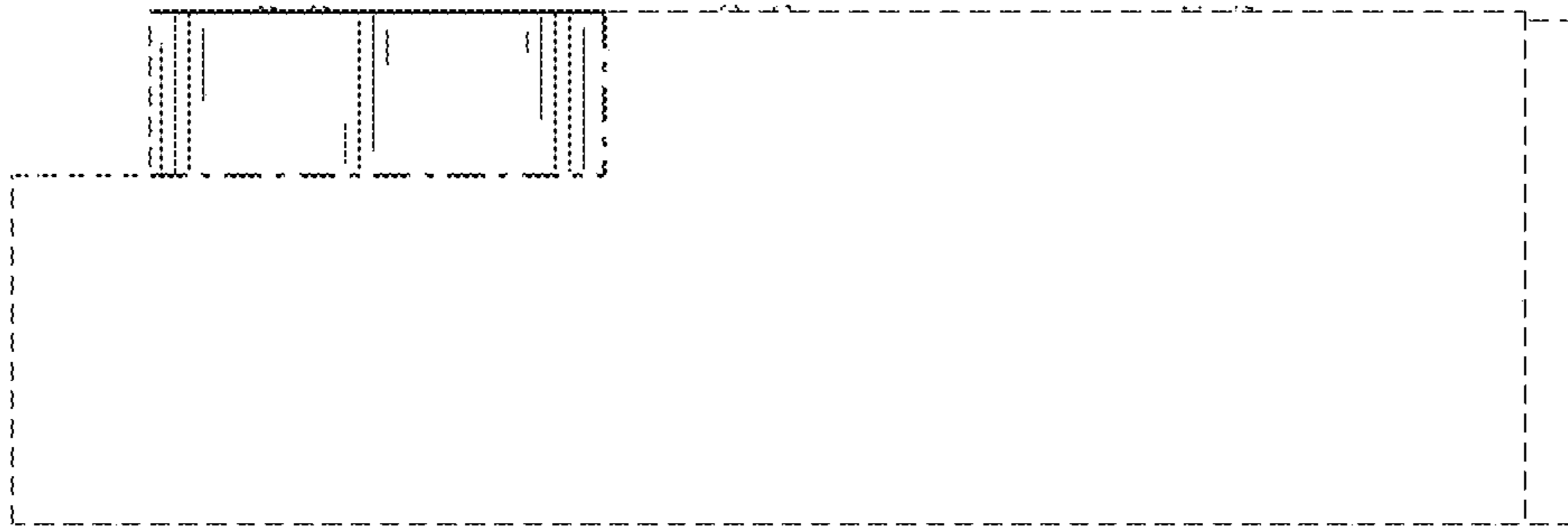


FIG. 4



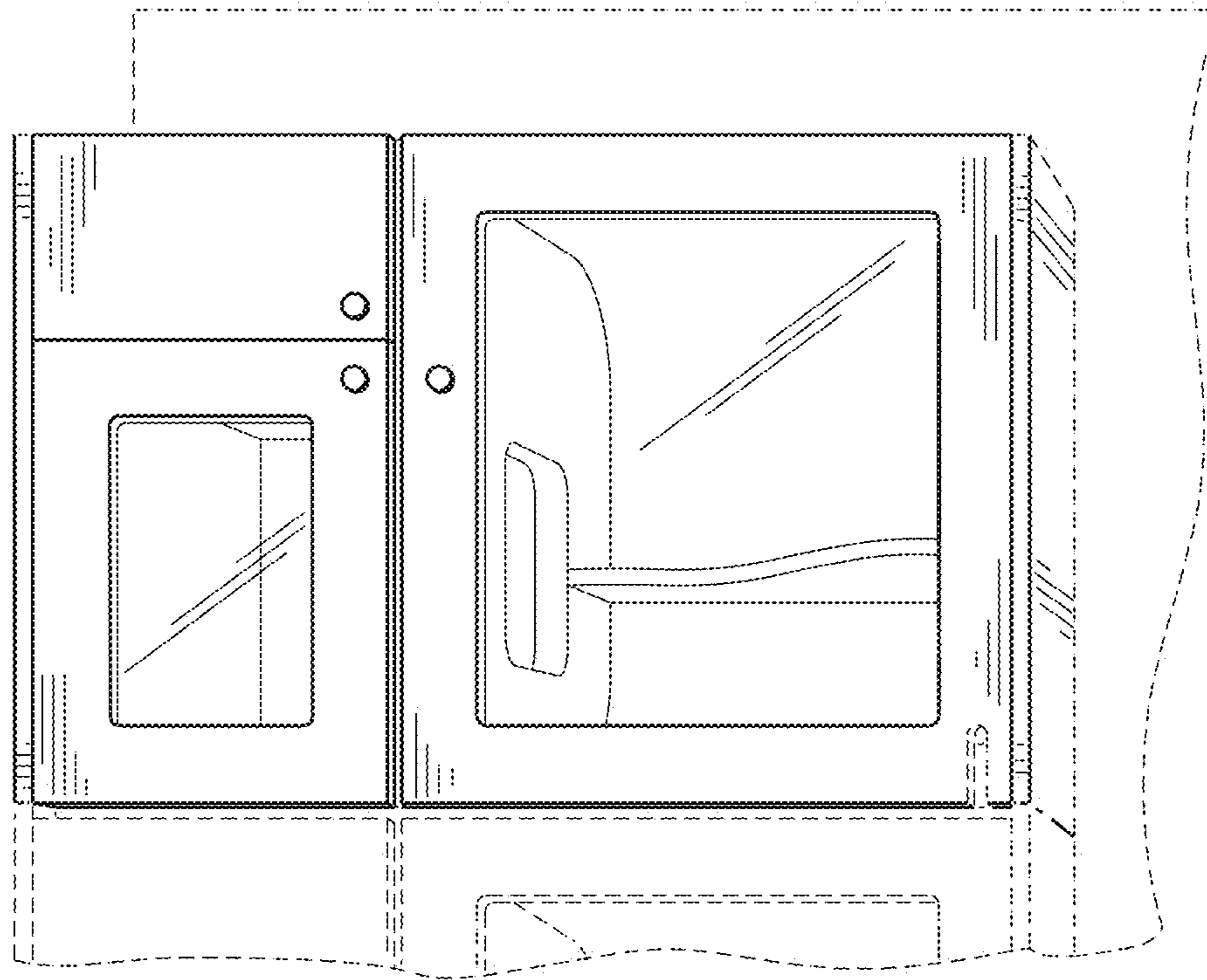


FIG. 5

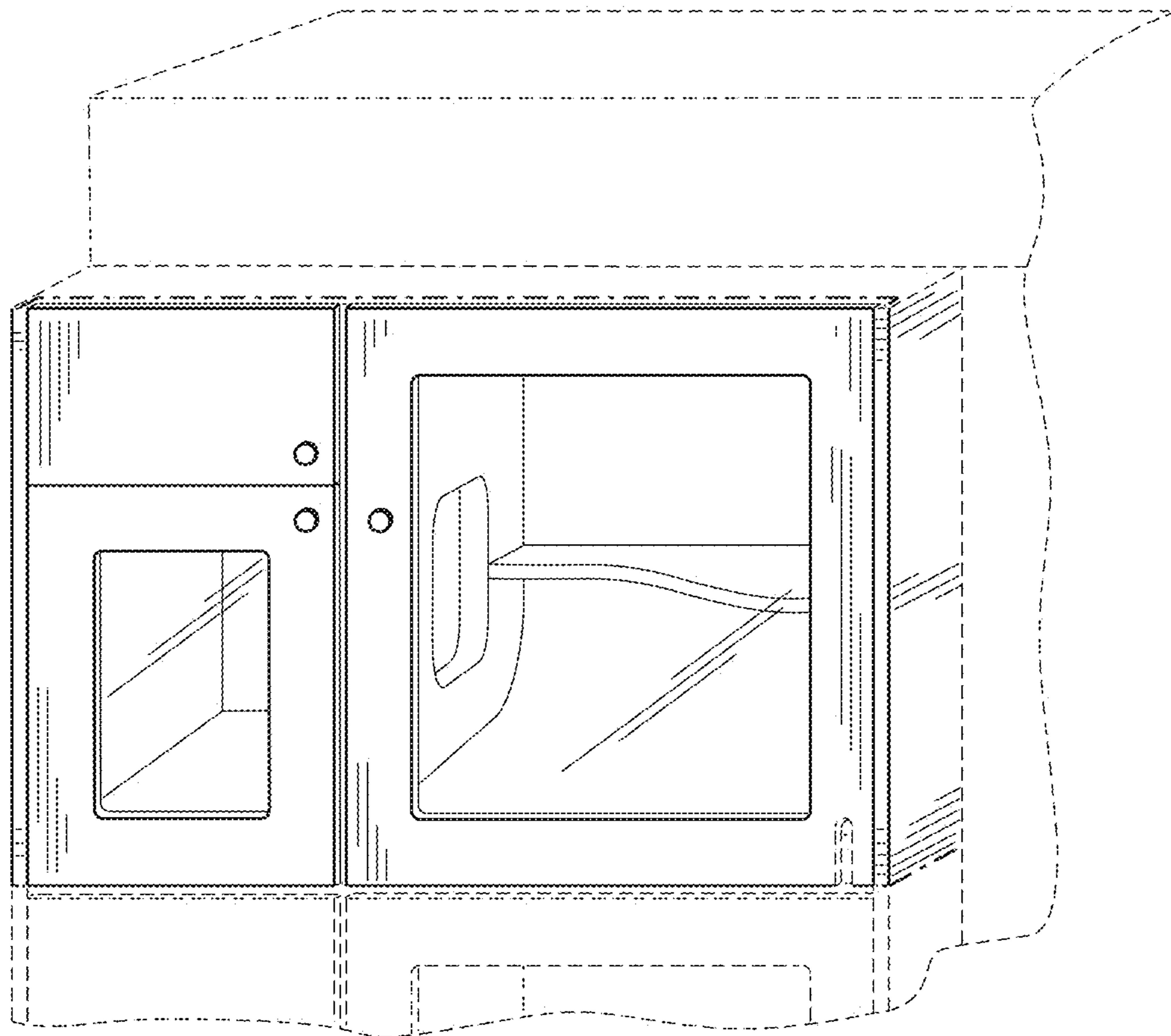


FIG. 6

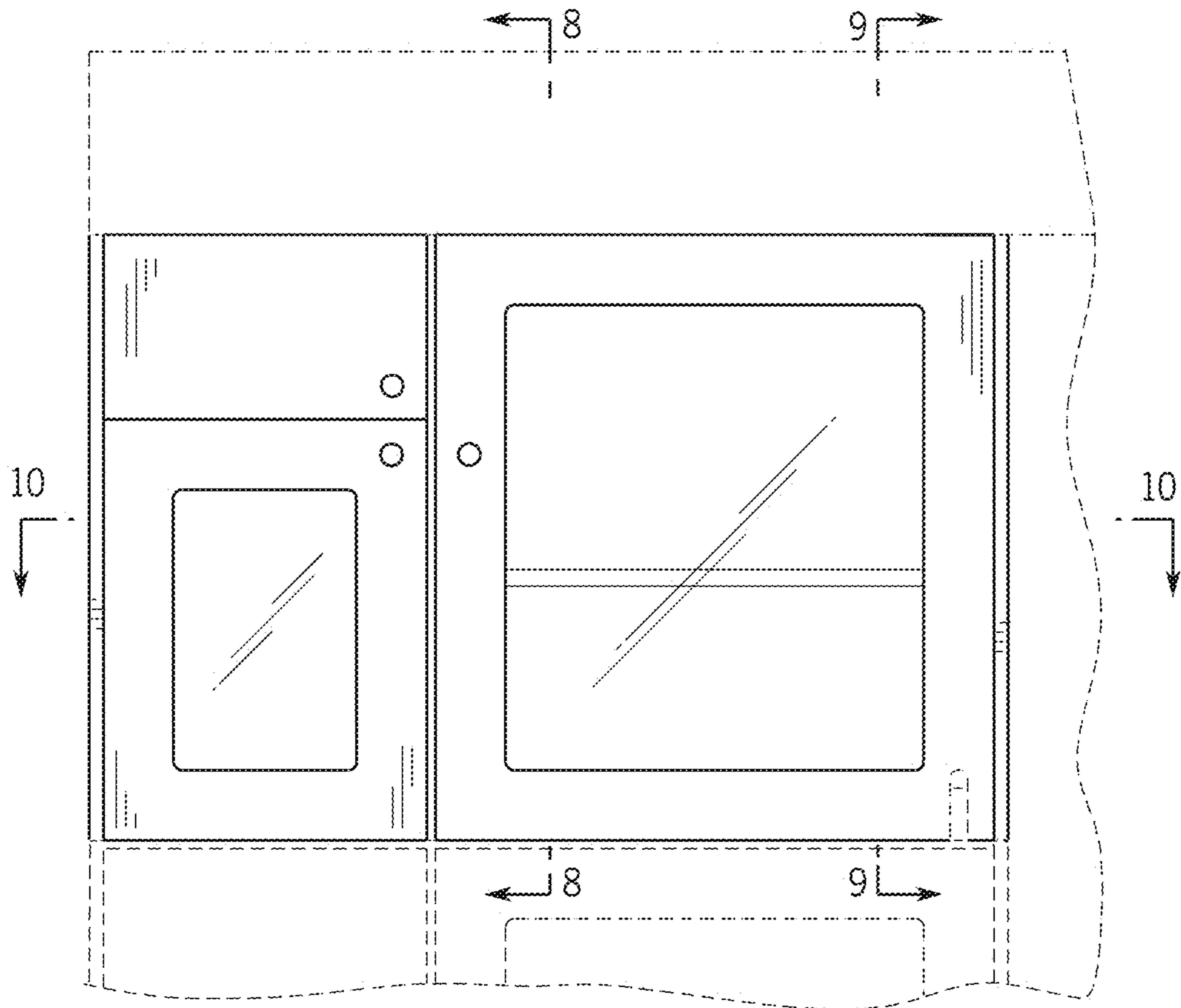


FIG. 7

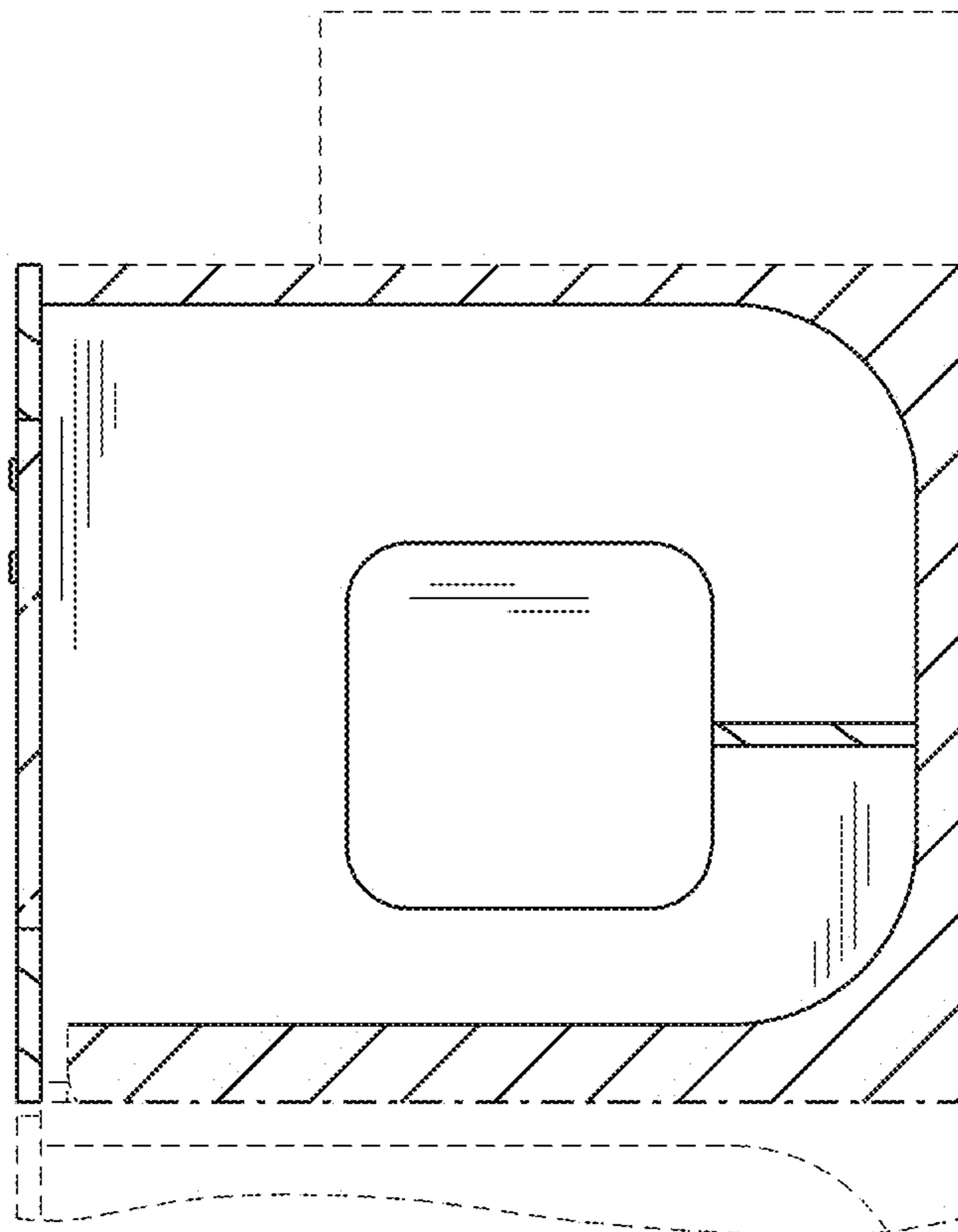


FIG. 8

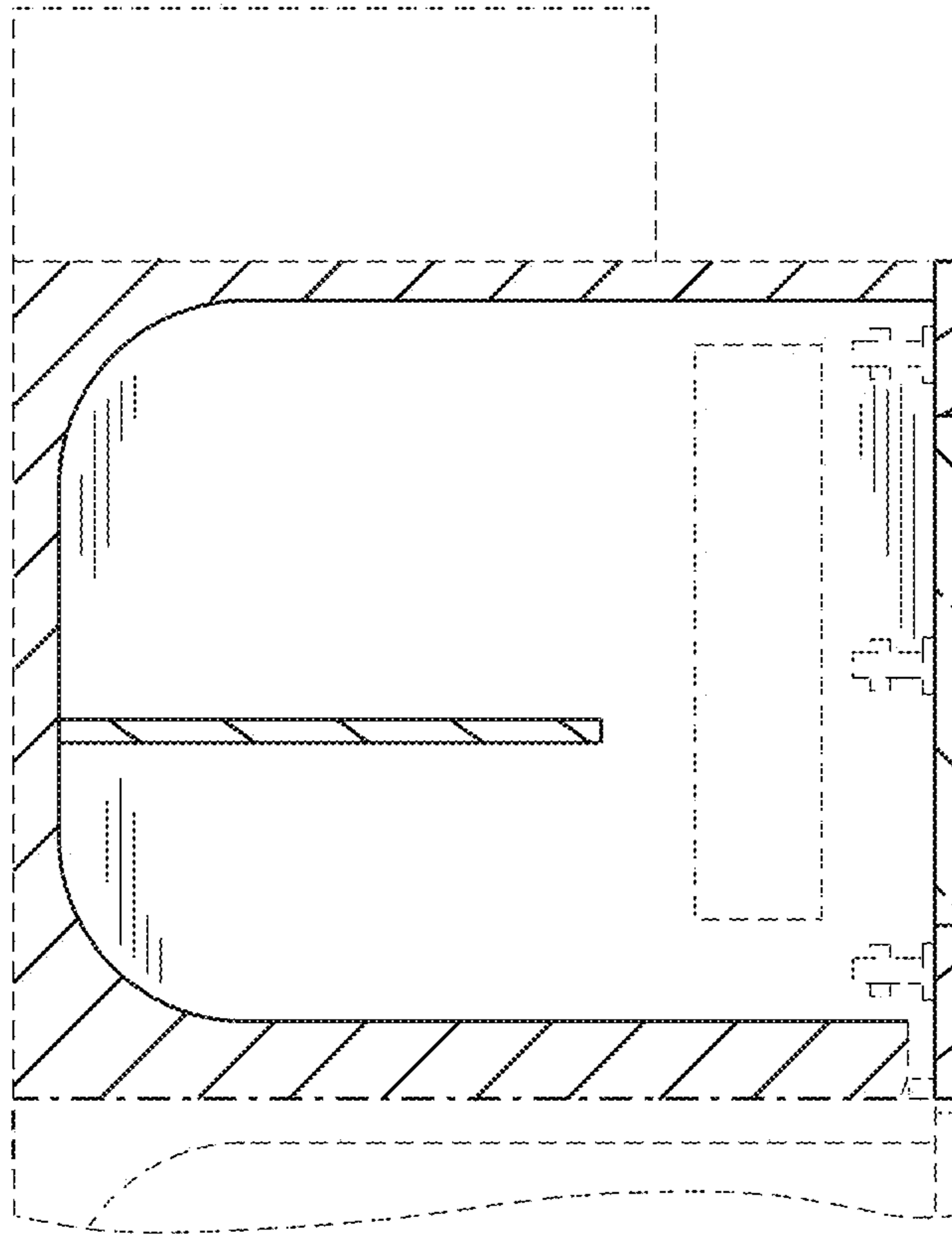


FIG. 9

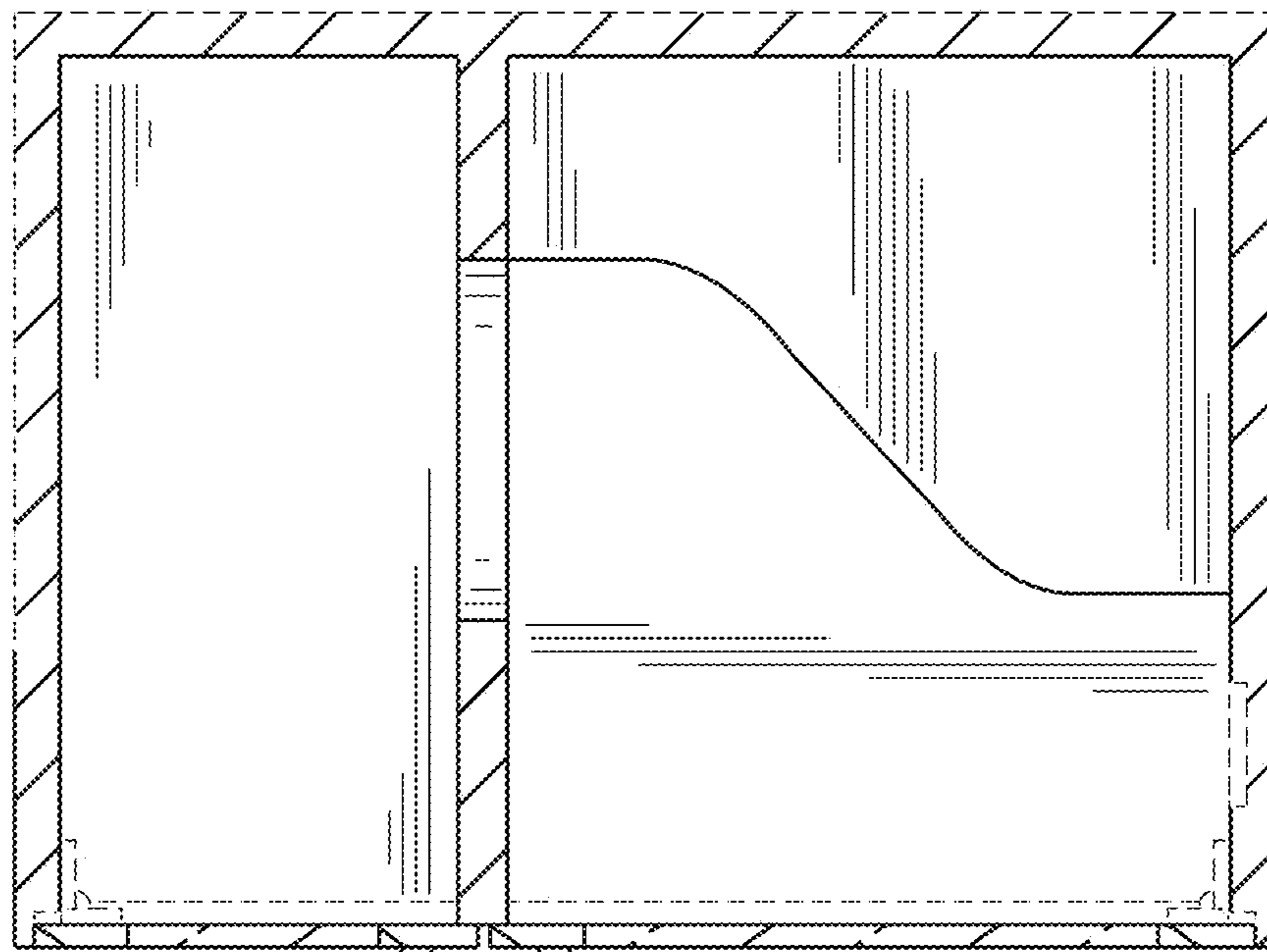


FIG. 10