



US00D880781S

(12) **United States Design Patent**
Crye

(10) **Patent No.:** **US D880,781 S**

(45) **Date of Patent:** **** Apr. 7, 2020**

(54) **KNEEPAD**

D789,616 S * 6/2017 Votel D29/121.1
D797,998 S * 9/2017 Kelly D29/121.1
D827,246 S * 9/2018 Piombino D2/711

(71) Applicant: **Caleb Crye**, Brooklyn, NY (US)

* cited by examiner

(72) Inventor: **Caleb Crye**, Brooklyn, NY (US)

(73) Assignee: **LINEWEIGHT LLC**, Brooklyn, NY (US)

Primary Examiner — Randall H Gholson
(74) *Attorney, Agent, or Firm* — Patterson Intellectual Property Law, P.C.; Ryan D. Levy

(**) Term: **15 Years**

(21) Appl. No.: **29/634,372**

(57) **CLAIM**

(22) Filed: **Jan. 21, 2018**

What is claimed is the ornamental design for a kneepad, as shown and described.

(51) **LOC (12) Cl.** **29-02**

(52) **U.S. Cl.**
USPC **D29/121.1**

(58) **Field of Classification Search**
USPC D29/121.1, 100, 115, 116.3, 120.1, 122;
D2/711, 713; 128/95.1, 96.1, 98.1, 846,
128/891; 602/67, 72, 73, 96, 108, 114;
2/2, 455; 450/38, 228, 267, 403, 405;
623/7; 604/352, 353, 395; D6/601
CPC A41D 13/05; A41D 13/0525; A63B 71/08
See application file for complete search history.

DESCRIPTION

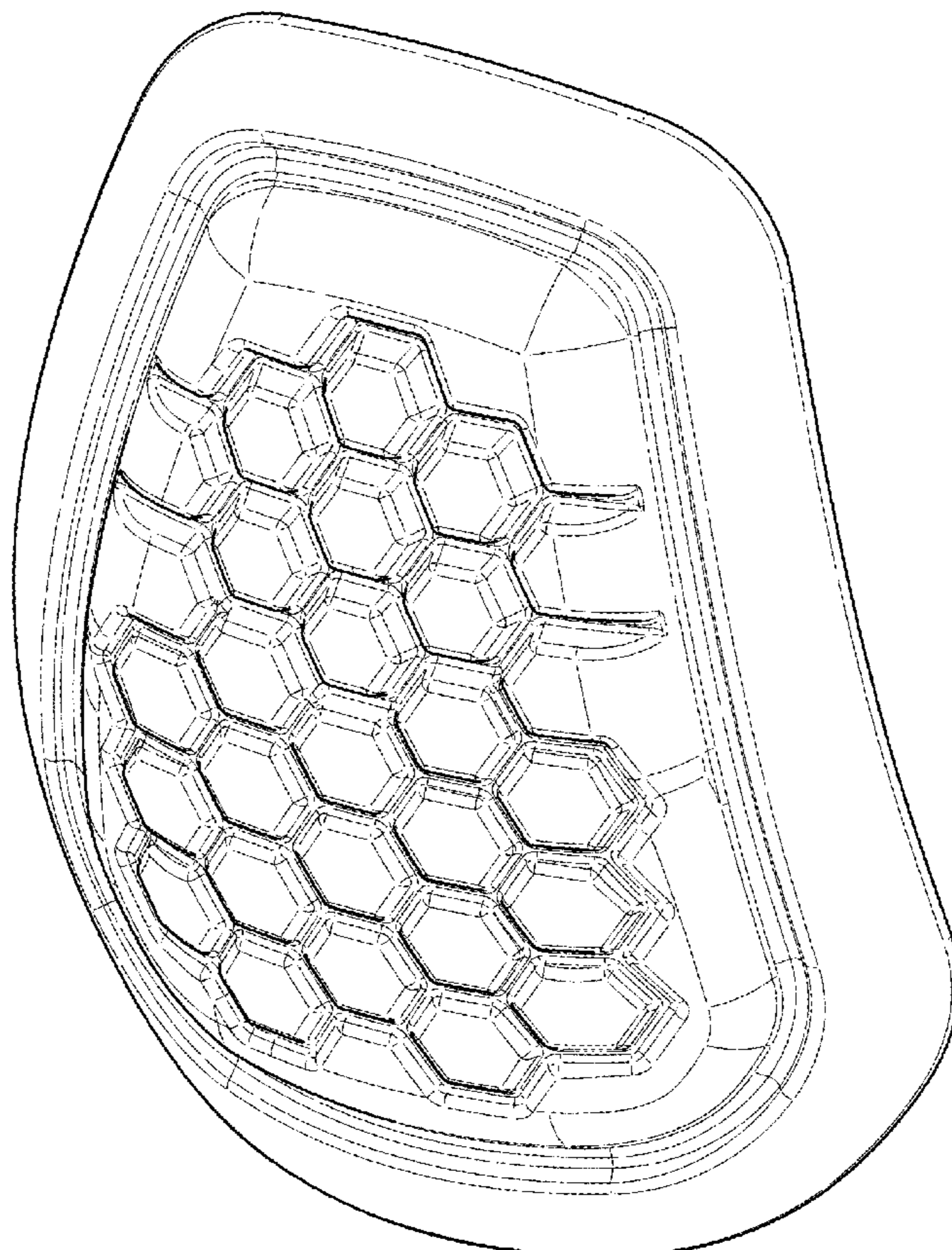
FIG. 1 is a front perspective view showing the kneepad of Applicant's invention.
FIG. 2 is a front view of the kneepad of Applicant's invention.
FIG. 3 is a side view of the kneepad of Applicant's invention.
FIG. 4 is a top view of the kneepad of Applicant's invention;
FIG. 5 is a bottom view of the kneepad of Applicant's invention; and,
FIG. 6 is a top view of the kneepad of Applicant's invention.

(56) **References Cited**

U.S. PATENT DOCUMENTS

D389,692 S * 1/1998 Graebe D6/601
5,924,140 A * 7/1999 Chi A41D 13/0568
2/16

1 Claim, 4 Drawing Sheets



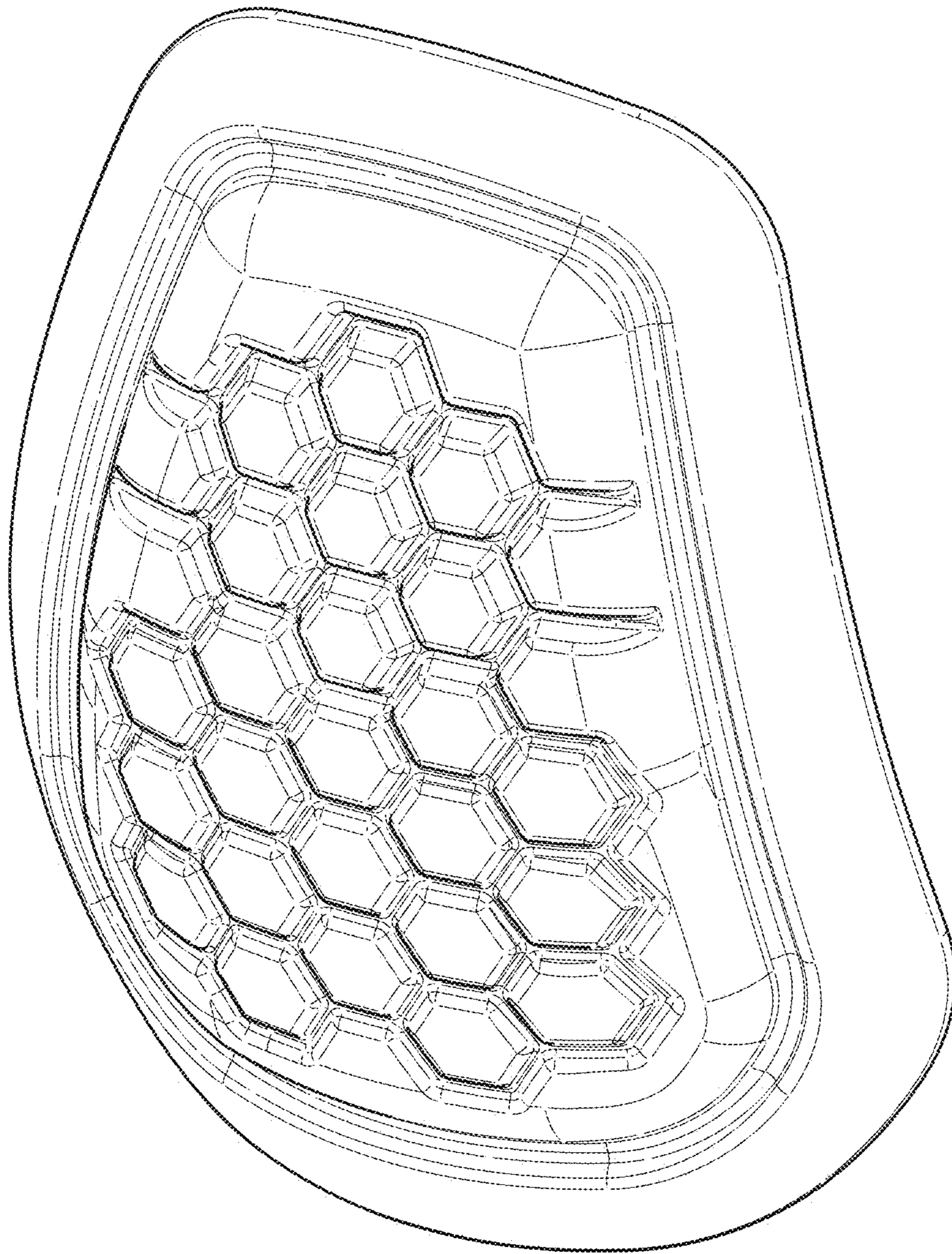


FIG. 1

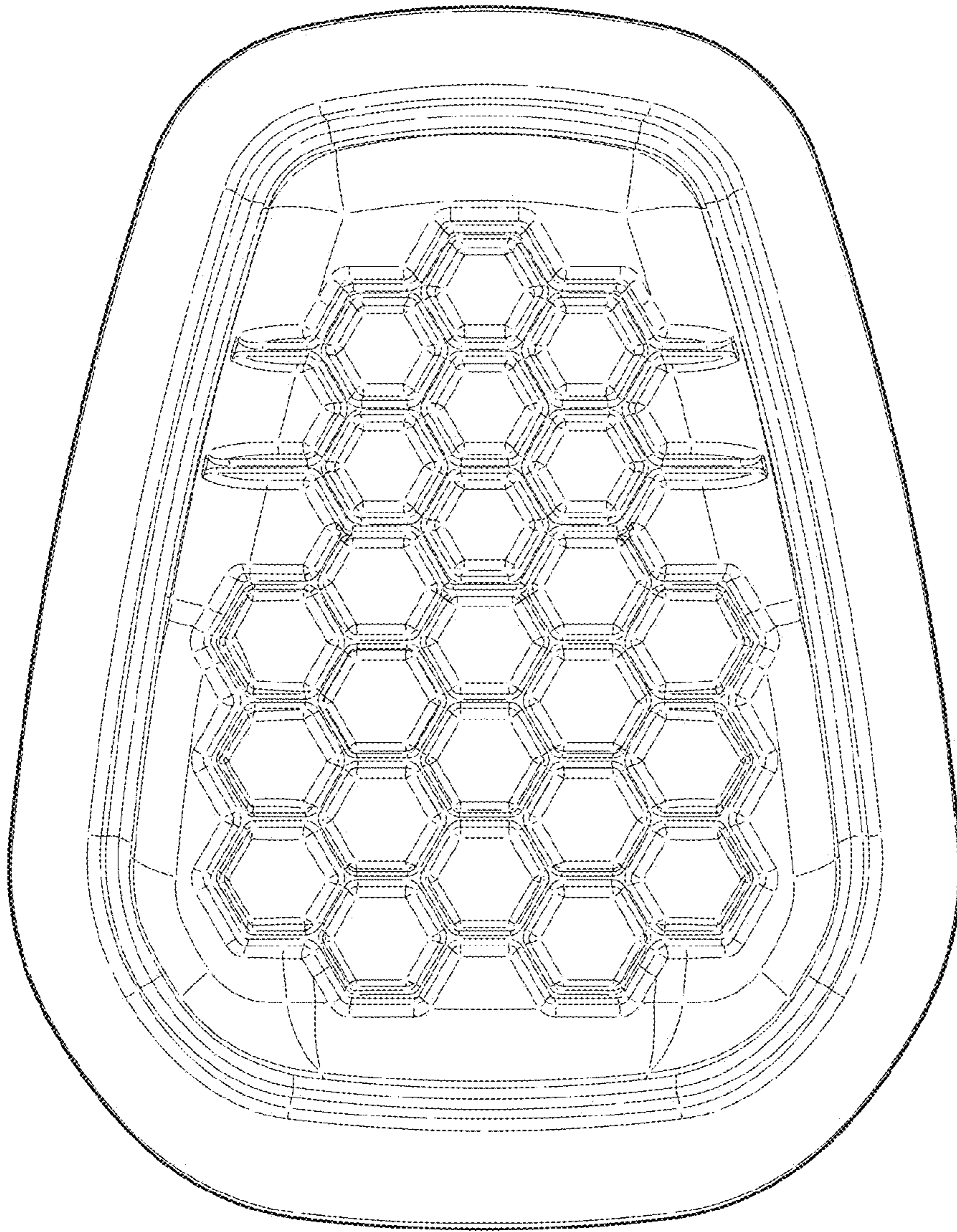


FIG. 2

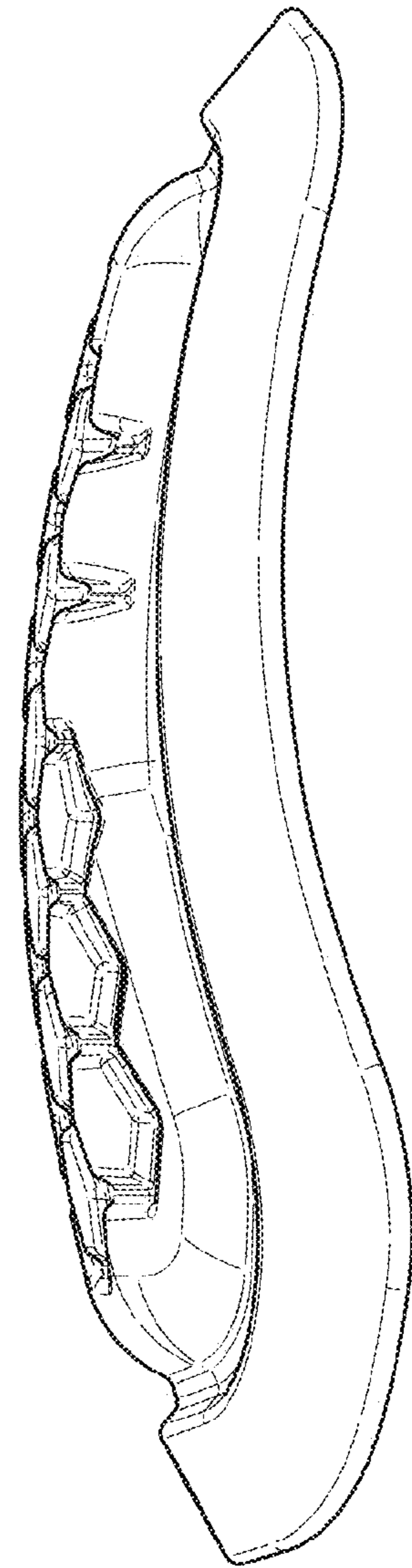


FIG. 3



FIG. 4

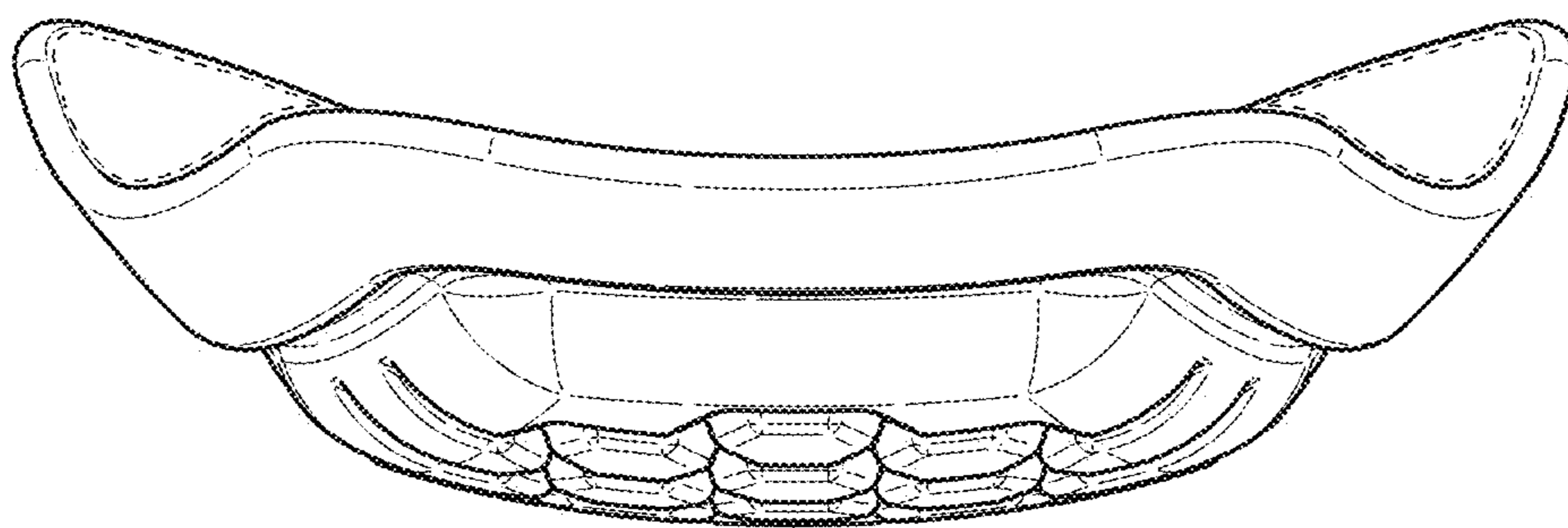


FIG. 5

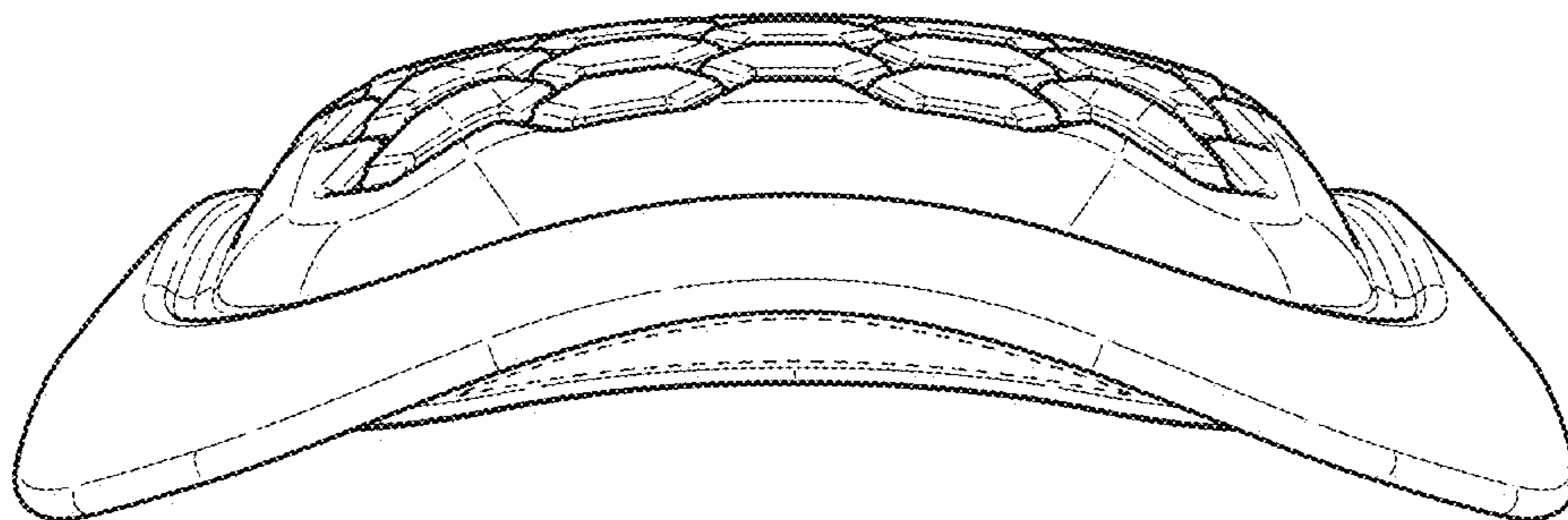


FIG. 6