



US00D880775S

(12) **United States Design Patent** (10) **Patent No.:** **US D880,775 S**  
**Wong et al.** (45) **Date of Patent:** **\*\* Apr. 7, 2020**

(54) **COSMETIC KIT**

1,748,491 A 2/1930 May  
D93,317 S \* 9/1934 Zell ..... D28/78  
2,010,909 A \* 8/1935 Zell ..... A45D 33/28  
132/297

(71) Applicant: **HCT GROUP HOLDINGS LIMITED**, Central (CN)

(Continued)

(72) Inventors: **Michelle Wong**, Montrose, CA (US);  
**Armando Villarreal**, Los Angeles, CA (US)

**FOREIGN PATENT DOCUMENTS**

CN 1196212 A 10/1998  
CN 302767522 \* 3/2014

(Continued)

(73) Assignee: **HCT GROUP HOLDINGS LIMITED**, Hong Kong (HK)

**OTHER PUBLICATIONS**

(\*\*) Term: **15 Years**

Double Wing Door Kit, Extruflex, extruflex.com, author and date not listed © Extruflex Group, online, site visited Nov. 25, 2019. Available from Internet, URL: <https://extruflex.com/sites/default/files/docs-free/SWING%20DOORS%20-%20Brochure.pdf> (Year: 2019).\*

(21) Appl. No.: **29/597,110**

(22) Filed: **Mar. 14, 2017**

(51) **LOC (12) Cl.** ..... **28-03**

(52) **U.S. Cl.**  
USPC ..... **D28/76**

(58) **Field of Classification Search**  
USPC ..... D28/76-78, 83-84; 132/294, 303-304, 132/314-315; D3/205, 901; 206/193, 206/534.1-534.2, 557, 561, 745; D9/426, D9/430, 432, 759-760; D19/103-106  
CPC .. A45D 40/00; A45D 40/0087; A45D 40/222; A45D 33/00; A45D 33/006; A45D 33/025; A45D 2040/225; A45D 2034/007; A45D 33/003; A45D 33/18  
See application file for complete search history.

*Primary Examiner* — Marissa J Cash

*Assistant Examiner* — Altaira J Swangin

(74) *Attorney, Agent, or Firm* — Seager, Tufte & Wickhem LLP

(57) **CLAIM**

The ornamental design for a cosmetic kit, as shown and described.

**DESCRIPTION**

FIG. 1 is a front, left, perspective view of a cosmetic kit showing the new design;  
FIG. 2 is a front view thereof;  
FIG. 3 is a rear view thereof;  
FIG. 4 is a right side view thereof;  
FIG. 5 is a left view thereof;  
FIG. 6 is a top view thereof; and,  
FIG. 7 is a bottom view thereof.

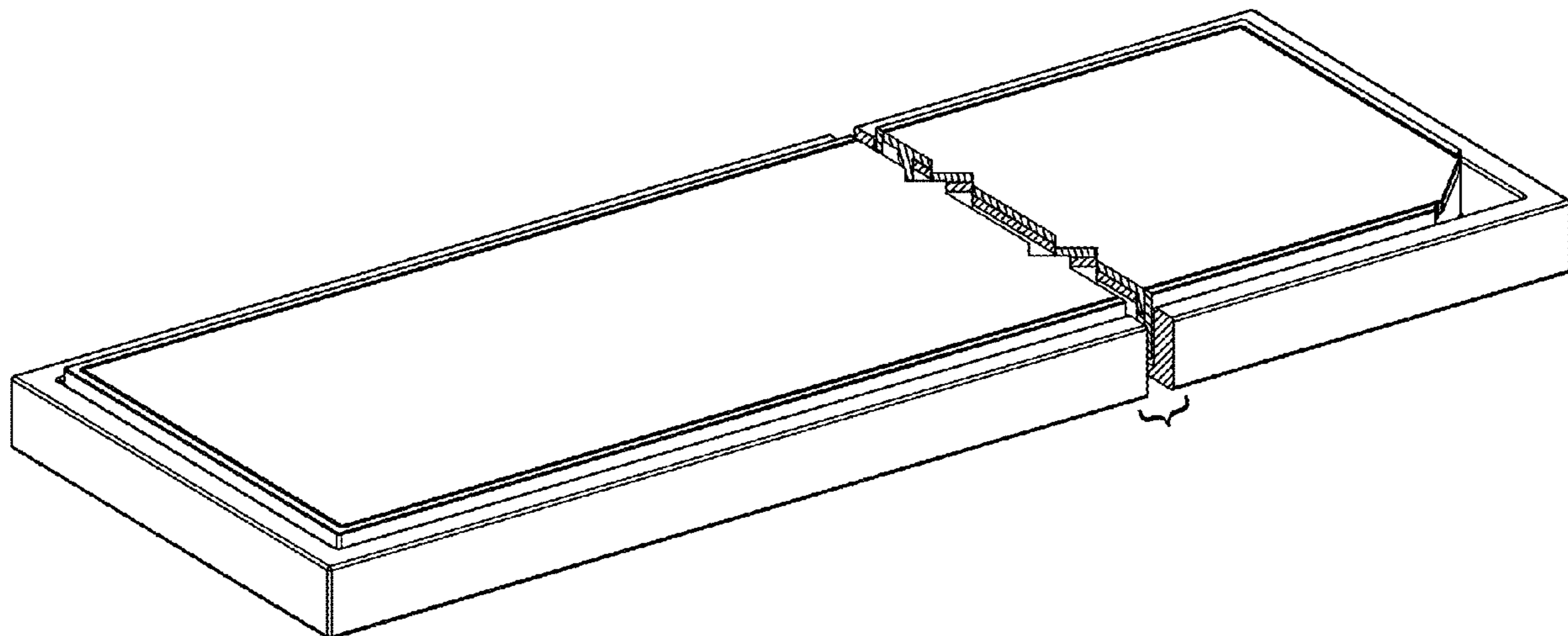
The cosmetic kit is shown with a symbolic break in its length. The appearance of any portion of the article between the break lines forms no part of the claimed design.

(56) **References Cited**

**U.S. PATENT DOCUMENTS**

1,527,052 A 2/1925 McAndrews  
1,616,381 A 2/1927 Harold  
1,620,002 A 3/1927 Barany  
1,642,780 A 9/1927 Kole et al.  
1,668,658 A 5/1928 Reutter  
1,682,534 A \* 8/1928 Martinat ..... A45D 40/22  
132/297

**1 Claim, 7 Drawing Sheets**



(56)

**References Cited**

U.S. PATENT DOCUMENTS

<p>2,041,960 A * 5/1936 Rioux ..... A45D 24/08 132/103</p> <p>2,055,389 A 9/1936 George</p> <p>D101,850 S * 11/1936 Bowen ..... D28/83</p> <p>2,085,502 A * 6/1937 Lampl ..... A45D 33/006 132/287</p> <p>2,196,801 A * 4/1940 Kreisler ..... A45D 40/221 206/823</p> <p>2,224,995 A * 12/1940 Vogel ..... A45D 33/008 132/304</p> <p>2,468,161 A * 4/1949 Beseke ..... A45D 33/32 132/288</p> <p>2,469,267 A * 5/1949 Hutt ..... A45D 33/28 132/315</p> <p>D156,974 S * 1/1950 Knowles ..... D19/103</p> <p>D172,943 S * 9/1954 Aprile ..... D28/77</p> <p>2,701,659 A 2/1955 Baltosser</p> <p>3,039,132 A 6/1962 Coleman</p> <p>3,100,589 A 8/1963 Love</p> <p>3,476,123 A 11/1969 Flax</p> <p>3,552,402 A 1/1971 Levy</p> <p>3,637,278 A * 1/1972 Easterbrooks ..... A45D 40/22 132/294</p> <p>D227,860 S * 7/1973 Schuman ..... D9/759</p> <p>D263,634 S * 3/1982 Ballereaud ..... D28/83</p> <p>D268,292 S 3/1983 Chevassus</p> <p>4,421,127 A 12/1983 Geer</p> <p>D275,713 S * 9/1984 Bosworth ..... D28/82</p> <p>D279,688 S * 7/1985 Kitai ..... D18/7</p> <p>D281,731 S 12/1985 Phu</p> <p>4,681,127 A 7/1987 Gueret</p> <p>4,696,317 A 9/1987 Shioi et al.</p> <p>D293,612 S 1/1988 Bulwik</p> <p>D303,582 S * 9/1989 Gavin ..... D28/78</p> <p>4,951,692 A * 8/1990 Yuhara ..... A45C 13/1084 132/293</p> <p>D311,210 S * 10/1990 Bottcher ..... D19/103</p> <p>5,005,697 A 4/1991 Jimbo et al.</p> <p>D316,763 S 5/1991 Ferrari</p> <p>5,092,354 A * 3/1992 Pacelli, Jr. .... A45D 40/22 132/294</p> <p>5,107,871 A 4/1992 Butcher et al.</p> <p>5,107,984 A 4/1992 Welschoff</p> <p>D345,826 S * 4/1994 Byars ..... D28/83</p> <p>5,348,031 A 9/1994 Cloud</p> <p>5,353,818 A 10/1994 Suzuki et al.</p> <p>5,431,176 A 7/1995 Favre</p> <p>D365,892 S 1/1996 Markham</p> <p>5,495,209 A 2/1996 Gerstenberg</p> <p>5,603,340 A 2/1997 Gueret</p> <p>5,655,553 A 8/1997 Giese et al.</p> <p>5,704,378 A 1/1998 Machelett</p> <p>5,713,471 A 2/1998 Gueret</p> <p>5,769,234 A 6/1998 Gueret</p> <p>D398,079 S 9/1998 Denison</p> <p>5,813,420 A 9/1998 Sussman</p> <p>D399,135 S * 10/1998 Mecca ..... D9/423</p> <p>D401,017 S 11/1998 Thorpe</p> <p>5,875,795 A 3/1999 Bouix</p> <p>5,896,866 A 4/1999 Quennessen</p> <p>5,950,638 A 9/1999 Crosta</p> <p>5,988,185 A 11/1999 Gueret</p> <p>D422,120 S 3/2000 Orsomando</p> <p>6,053,183 A 4/2000 Rizzo</p> <p>6,070,749 A 6/2000 Joulia</p> <p>D428,209 S 7/2000 Kudo et al.</p> <p>6,119,891 A 9/2000 Favre</p> <p>6,138,686 A 10/2000 Yuhara</p> <p>6,149,008 A 11/2000 Yuhara</p> <p>D434,875 S 12/2000 Gavin</p> <p>6,173,719 B1 1/2001 Petit</p> <p>D439,019 S 3/2001 Motosko</p> <p>D439,376 S 3/2001 Lerolle</p> <p>D441,192 S * 5/2001 Park ..... D3/294</p>	<p>D442,338 S 5/2001 Roman</p> <p>6,234,181 B1 * 5/2001 Lou ..... A45D 33/00 132/313</p> <p>6,283,298 B1 9/2001 Seidler</p> <p>6,298,863 B1 10/2001 Byun</p> <p>6,311,701 B1 11/2001 Yuhara et al.</p> <p>6,336,460 B2 1/2002 Yuhara</p> <p>6,354,308 B1 3/2002 Kuk</p> <p>D457,687 S 5/2002 Millar</p> <p>D457,986 S 5/2002 Rodriguez et al.</p> <p>D462,809 S 9/2002 LaSpina et al.</p> <p>D468,058 S 12/2002 Thorpe</p> <p>D468,868 S * 1/2003 Thorpe ..... D28/83</p> <p>6,532,970 B2 3/2003 Phue</p> <p>D475,811 S * 6/2003 Bontempo ..... D28/83</p> <p>D478,689 S 8/2003 Thorpe</p> <p>D479,016 S 8/2003 Sgariboldi</p> <p>D479,630 S 9/2003 Lai</p> <p>D485,018 S 1/2004 Beilman</p> <p>6,712,076 B2 3/2004 Alexander et al.</p> <p>D493,919 S * 8/2004 Beilman ..... D28/77</p> <p>D498,024 S 11/2004 Leppla et al.</p> <p>D503,245 S 3/2005 Vanoncini</p> <p>D505,518 S 5/2005 Benjamin et al.</p> <p>D507,078 S 7/2005 Greenfield</p> <p>6,945,403 B2 9/2005 Lombardi</p> <p>6,997,321 B2 2/2006 Young</p> <p>7,083,354 B2 8/2006 Byun</p> <p>D539,481 S 3/2007 Lui</p> <p>7,240,402 B2 7/2007 Suzuki et al.</p> <p>D554,292 S 10/2007 Thorpe</p> <p>D554,293 S 10/2007 Thorpe</p> <p>D554,294 S 10/2007 Thorpe</p> <p>D554,804 S 11/2007 Bernard</p> <p>7,316,235 B2 1/2008 Maio et al.</p> <p>7,334,685 B2 2/2008 Mathiez</p> <p>D564,707 S 3/2008 Barresi</p> <p>7,337,787 B2 3/2008 Matsuoka</p> <p>D566,899 S 4/2008 De Baschmakoff</p> <p>D576,354 S 9/2008 Dominski et al.</p> <p>D576,770 S 9/2008 Mascotte et al.</p> <p>D581,597 S 11/2008 Martinez</p> <p>D583,997 S * 12/2008 Thorpe ..... D28/83</p> <p>D585,602 S * 1/2009 Thorpe ..... D28/83</p> <p>D586,504 S 2/2009 Moon</p> <p>7,494,030 B2 2/2009 Bennett</p> <p>D595,900 S 7/2009 Yamamoto</p> <p>D597,256 S * 7/2009 Liden ..... D28/83</p> <p>D600,857 S 9/2009 Maddy et al.</p> <p>D600,858 S * 9/2009 Thorpe ..... D28/83</p> <p>D601,757 S * 10/2009 Sagel ..... D28/83</p> <p>D603,564 S * 11/2009 Liden ..... D28/83</p> <p>7,614,405 B2 11/2009 Allen et al.</p> <p>D611,657 S 3/2010 Maddy et al.</p> <p>D626,289 S 10/2010 Lee</p> <p>D626,694 S * 11/2010 Ha ..... D28/83</p> <p>7,828,000 B2 11/2010 Lee</p> <p>7,832,564 B2 11/2010 Kim</p> <p>7,909,195 B2 3/2011 Rathbone et al.</p> <p>D642,333 S 7/2011 Praster</p> <p>D642,743 S * 8/2011 Shteyssel ..... D28/83</p> <p>8,006,707 B2 8/2011 Thorpe et al.</p> <p>D645,617 S 9/2011 Mahdavi</p> <p>8,025,067 B2 9/2011 Thorpe et al.</p> <p>D655,046 S 2/2012 Nakamura</p> <p>8,118,040 B2 2/2012 Bennett</p> <p>8,132,578 B2 3/2012 LoPrete</p> <p>D663,520 S * 7/2012 Antler ..... D3/205</p> <p>8,210,187 B1 7/2012 Zhang</p> <p>D666,773 S 9/2012 Greenfield</p> <p>8,286,648 B2 10/2012 Thorpe et al.</p> <p>8,322,354 B2 * 12/2012 Parker ..... A45D 33/20 132/287</p> <p>8,387,627 B2 3/2013 Yeom</p> <p>D682,475 S * 5/2013 Owen ..... D28/83</p> <p>D687,186 S * 7/2013 Lai ..... D28/83</p> <p>D687,187 S * 7/2013 Lai ..... D28/83</p> <p>D687,188 S * 7/2013 Lai ..... D28/83</p> <p>D688,420 S 8/2013 Lai</p>
---	---

(56)

References Cited

U.S. PATENT DOCUMENTS

D688,831 S \* 8/2013 Giardina ..... D28/83  
 8,590,545 B2 11/2013 Won  
 8,678,222 B2 3/2014 Thorpe et al.  
 8,839,803 B2 9/2014 Holloway  
 D722,725 S \* 2/2015 Jin ..... D28/83  
 D723,219 S \* 2/2015 Goswell ..... D28/83  
 D723,220 S 2/2015 Guor  
 D723,742 S \* 3/2015 Shteyssel ..... D28/83  
 D728,860 S 5/2015 Blanch  
 D736,468 S 8/2015 Goswell  
 D756,804 S \* 5/2016 Gross ..... D9/759  
 9,643,752 B2 \* 5/2017 Wang ..... B65D 21/0223  
 9,889,532 B2 2/2018 Osaki et al.  
 D830,637 S \* 10/2018 Yoo ..... D28/83  
 D831,890 S \* 10/2018 Von Drachenberg ..... D28/83  
 D843,660 S \* 3/2019 Staab ..... D28/83  
 10,248,230 B2 \* 4/2019 Park ..... G06F 3/041  
 D861,992 S \* 10/2019 Staab ..... D28/83  
 D863,685 S \* 10/2019 Staab ..... D28/83  
 2002/0056660 A1 5/2002 Gueret  
 2002/0096185 A1 7/2002 Givens  
 2002/0096448 A1 \* 7/2002 Lee ..... A45C 15/00  
 206/459.1  
 2002/0162565 A1 11/2002 Sebban  
 2003/0024545 A1 2/2003 Delage  
 2003/0150471 A1 \* 8/2003 Fraillon ..... A45D 33/008  
 132/304  
 2003/0154997 A1 8/2003 Lin  
 2004/0200755 A1 10/2004 Gueret  
 2004/0206370 A1 10/2004 Byun  
 2006/0027481 A1 2/2006 Gelardi et al.  
 2006/0118454 A1 6/2006 Kang  
 2006/0144743 A1 \* 7/2006 McDade ..... B65D 21/0215  
 206/503  
 2006/0186019 A1 8/2006 Lu  
 2006/0278665 A1 12/2006 Bennett  
 2007/0029226 A1 2/2007 Yuhara et al.  
 2007/0080094 A1 4/2007 Moon  
 2007/0131240 A1 6/2007 Prague  
 2007/0187284 A1 8/2007 Goto et al.  
 2007/0228079 A1 10/2007 Vogel et al.  
 2007/0235056 A1 10/2007 Vintimiglia et al.  
 2007/0261710 A1 11/2007 Son et al.  
 2008/0011320 A1 1/2008 Bouix et al.  
 2008/0023023 A1 1/2008 Boye et al.  
 2008/0078419 A1 4/2008 Hirst  
 2008/0142031 A1 \* 6/2008 Francis ..... A45D 33/008  
 132/200  
 2008/0178903 A1 7/2008 Thorpe et al.  
 2008/0302384 A1 12/2008 Parker  
 2009/0032052 A1 \* 2/2009 Lee ..... A45D 33/006  
 132/296  
 2009/0044825 A1 \* 2/2009 Lawrence ..... A45C 11/008  
 132/295  
 2009/0071502 A1 3/2009 Drugeon  
 2009/0126758 A1 \* 5/2009 Chen ..... A45D 33/22  
 132/295  
 2009/0272400 A1 11/2009 Park et al.  
 2009/0288677 A1 11/2009 Chen  
 2009/0293902 A1 12/2009 Ramos  
 2009/0320874 A1 12/2009 Boye et al.  
 2010/0008074 A1 1/2010 Kang  
 2010/0031971 A1 2/2010 Ha  
 2010/0051048 A1 \* 3/2010 Wang ..... A45D 33/006  
 132/296  
 2010/0132734 A1 \* 6/2010 Mills ..... A45D 40/24  
 132/294  
 2010/0288299 A1 11/2010 Won  
 2010/0307530 A1 12/2010 Bennett

2010/0319723 A1 \* 12/2010 Parker ..... A45D 33/20  
 132/287  
 2011/0253166 A1 10/2011 Lin  
 2011/0253167 A1 \* 10/2011 Shteyssel ..... A45D 40/24  
 132/314  
 2011/0253168 A1 \* 10/2011 Chen ..... A45D 40/222  
 132/315  
 2011/0266297 A1 11/2011 Thorpe et al.  
 2012/0136748 A1 5/2012 Shasteen et al.  
 2012/0272997 A1 \* 11/2012 Chen ..... A45D 33/20  
 132/316  
 2013/0068801 A1 3/2013 Lai  
 2013/0087165 A1 4/2013 Lee et al.  
 2013/0133686 A1 \* 5/2013 Shteyssel ..... A45D 40/24  
 132/314  
 2013/0161345 A1 6/2013 Tatin  
 2013/0220362 A1 \* 8/2013 Rogers ..... A45D 33/008  
 132/301  
 2013/0284202 A1 10/2013 Limongi et al.  
 2014/0014659 A1 1/2014 Thorpe et al.  
 2014/0023689 A1 1/2014 Kim et al.  
 2014/0138378 A1 \* 5/2014 Lequeux ..... A45C 13/1069  
 220/23.83  
 2014/0224271 A1 \* 8/2014 Green ..... A45D 33/22  
 132/200  
 2014/0299150 A1 \* 10/2014 Attard-Kingswell .....  
 A45D 33/006  
 132/287  
 2014/0299151 A1 \* 10/2014 Stroud ..... A45D 33/008  
 132/315  
 2015/0021347 A1 \* 1/2015 Yoshida ..... A45D 40/221  
 220/830  
 2015/0282588 A1 \* 10/2015 Hynek ..... A45D 33/008  
 132/315  
 2015/0374097 A1 \* 12/2015 Galyuk ..... A45D 33/28  
 206/581  
 2016/0007714 A1 \* 1/2016 Eberlein ..... A45D 33/20  
 220/505  
 2016/0083152 A1 3/2016 Eberlein  
 2017/0143099 A1 \* 5/2017 Carraro ..... A45D 33/008  
 2017/0156472 A1 \* 6/2017 Lin ..... A45D 33/003  
 2017/0265622 A1 \* 9/2017 Eberlein ..... A45D 40/22  
 2018/0116367 A1 \* 5/2018 Matsuura ..... A45D 33/008  
 2018/0263361 A1 \* 9/2018 Langdon ..... A45D 40/24  
 2018/0310688 A1 \* 11/2018 Lin ..... A45D 33/003  
 2019/0008261 A1 \* 1/2019 Olivari ..... A45D 34/00  
 2019/0075910 A1 \* 3/2019 Torres ..... A45D 40/24  
 2019/0110573 A1 \* 4/2019 DeCarlo ..... A45D 33/008  
 2019/0110578 A1 \* 4/2019 Maurin ..... A45D 40/221  
 2019/0133293 A1 \* 5/2019 Korba ..... A45D 33/008

FOREIGN PATENT DOCUMENTS

JP 2533414 Y2 4/1997  
 JP 3051335 B2 6/2000  
 JP 3080777 U 10/2001  
 JP 2002306236 A 10/2002  
 JP 2004222853 A 8/2004  
 JP 5945015 B2 4/2016  
 KR 200322309 Y1 7/2003  
 KR 200328446 Y1 9/2003  
 KR 20090004125 A 1/2009  
 KR 2009008597 U 8/2009  
 KR 20090104593 A 10/2009  
 KR 300699834.0000 \* 7/2013  
 KR 300753519.0000 \* 7/2014  
 RU 00080325 \* 11/2011  
 WO 2006101339 A1 9/2006  
 WO 2008010628 A1 1/2008

\* cited by examiner

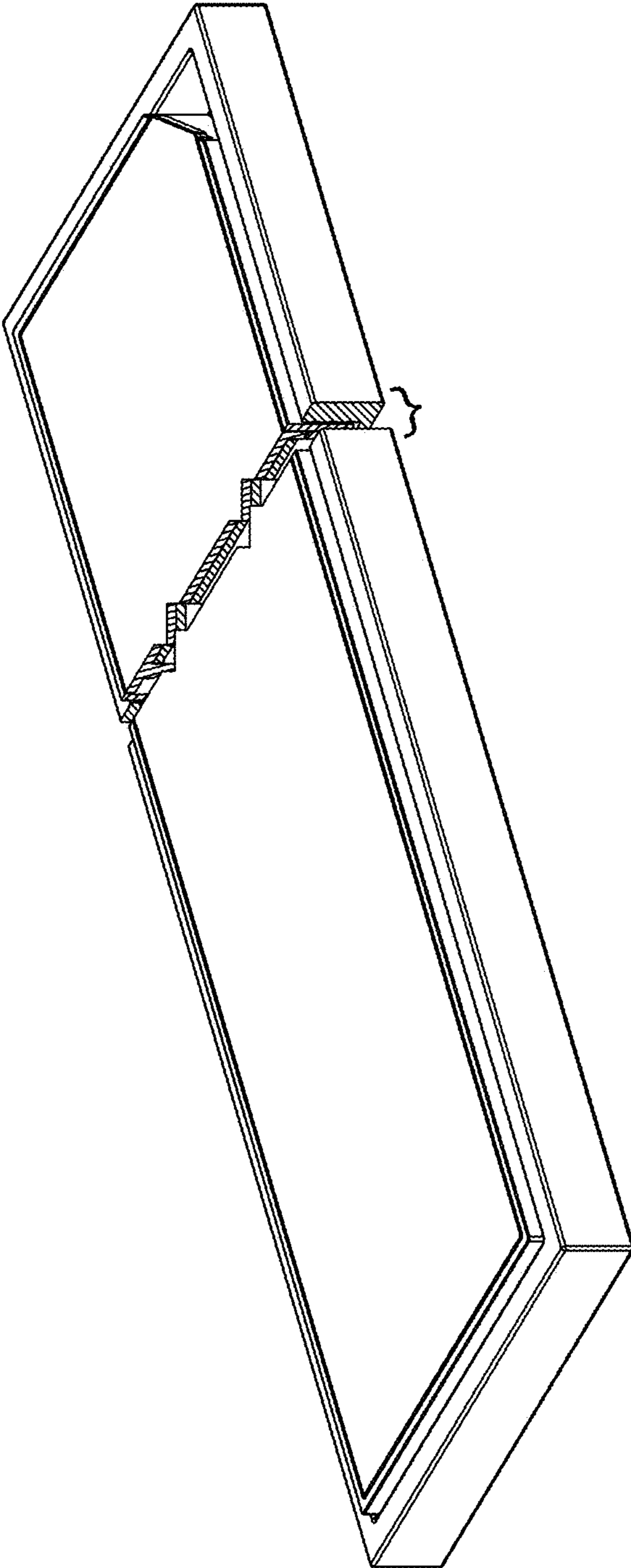


FIG. 1

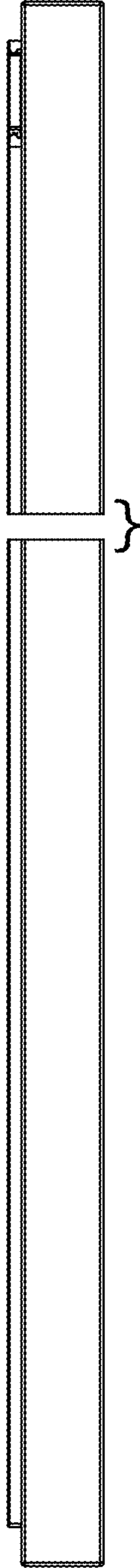


FIG. 2

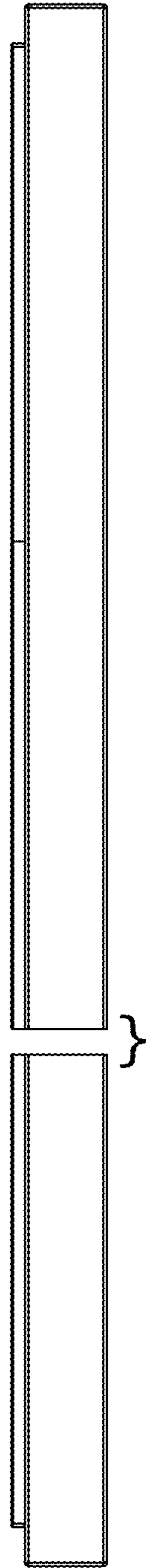


FIG. 3

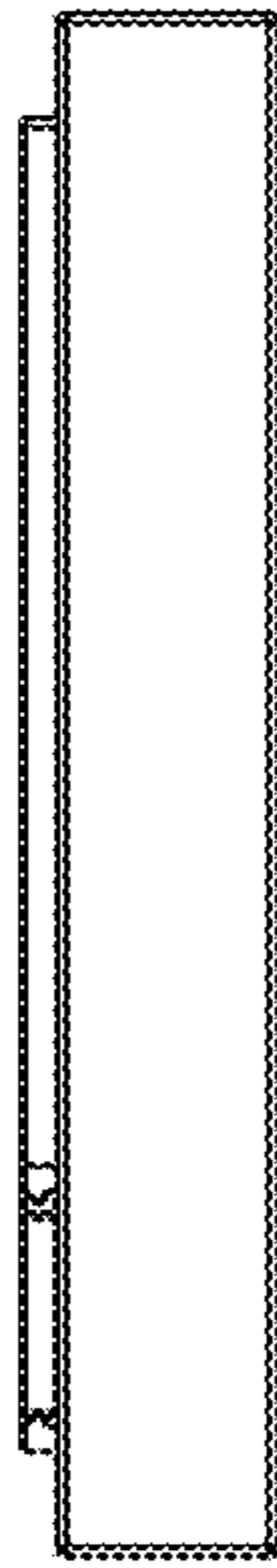


FIG. 4

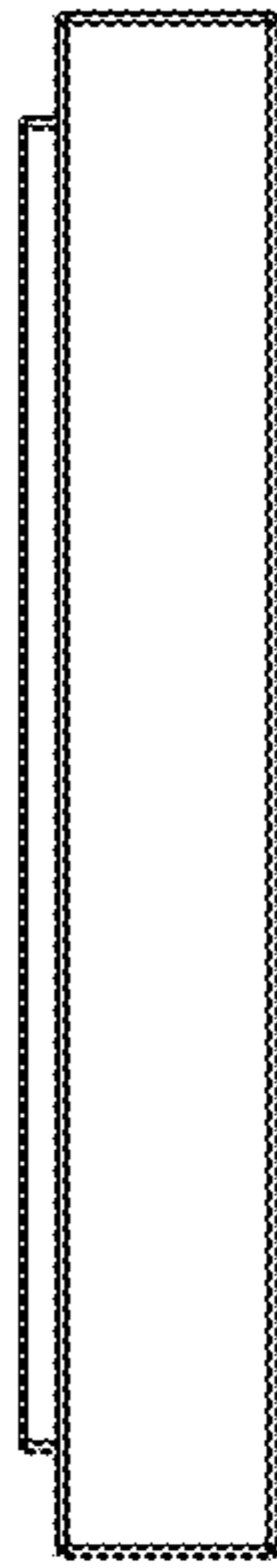


FIG. 5



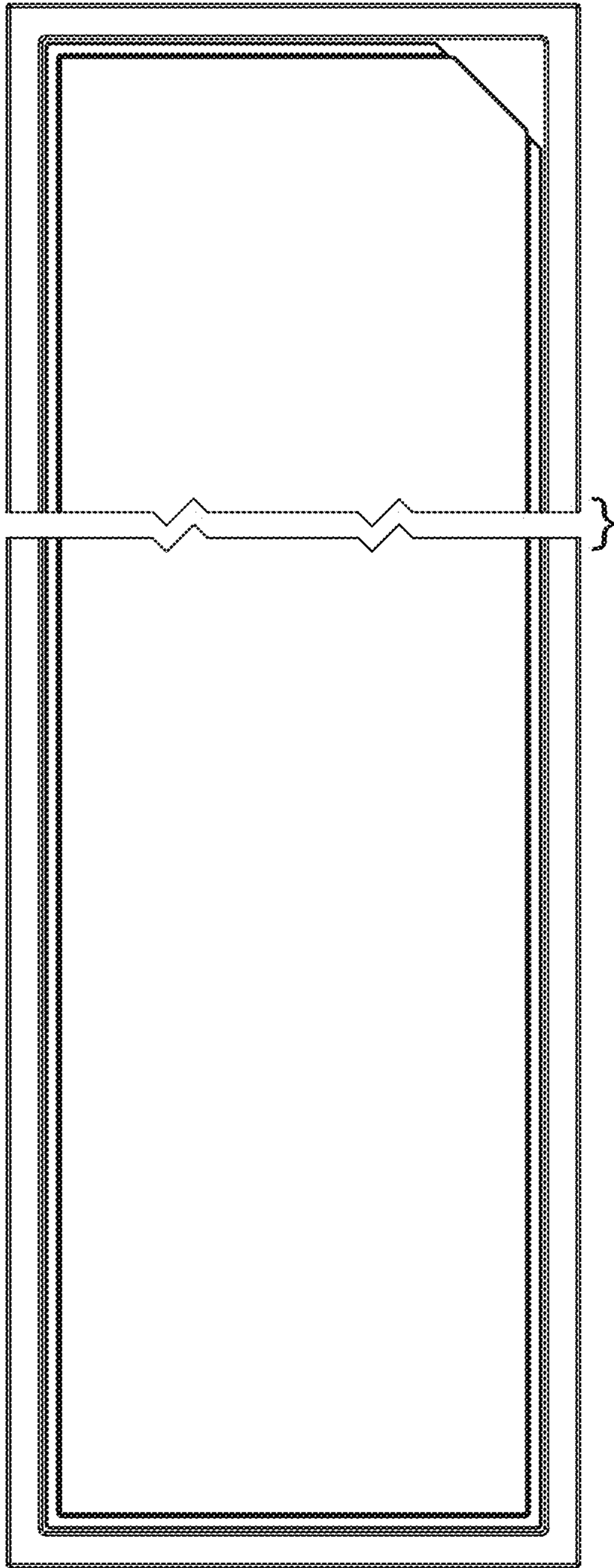


FIG. 6

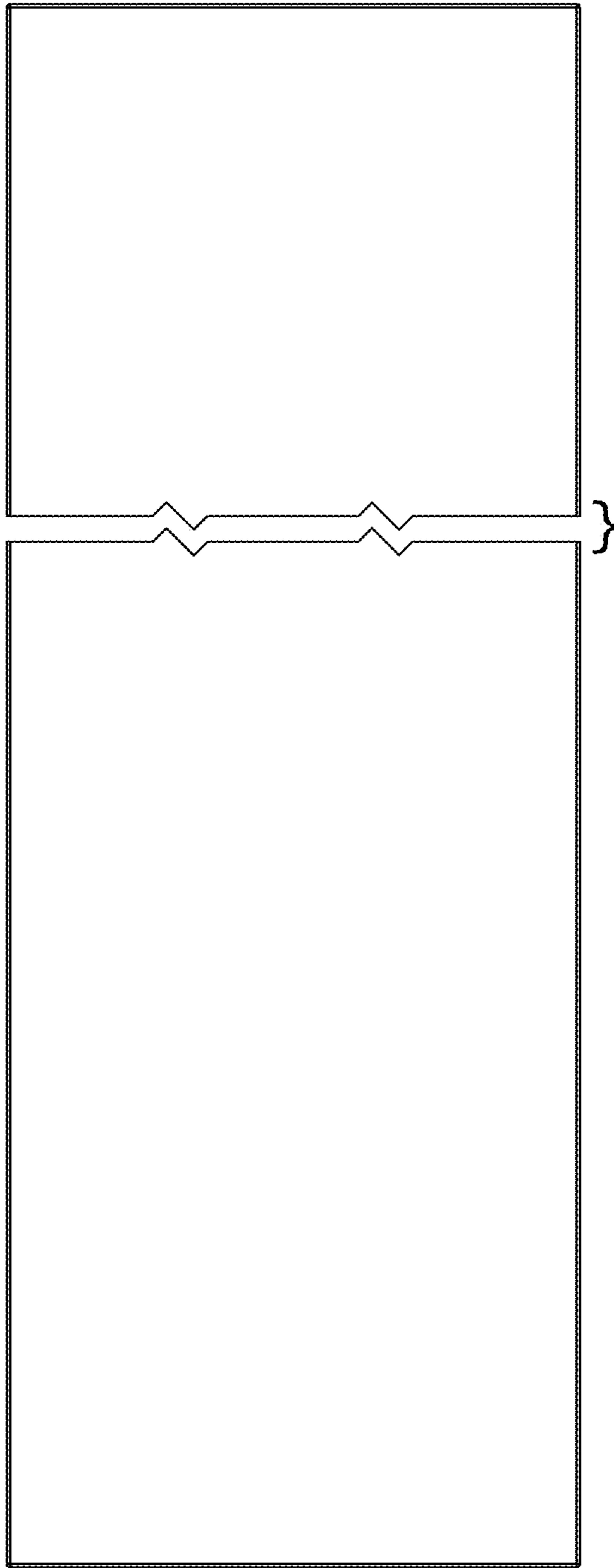


FIG. 7