



US00D880772S

(12) **United States Design Patent**
Nakamura

(10) **Patent No.:** **US D880,772 S**

(45) **Date of Patent:** **** Apr. 7, 2020**

(54) **HEEL FILE**

D486,268 S * 2/2004 Chien D28/59
D575,455 S 8/2008 Fiene et al.
D608,502 S * 1/2010 Andersson D28/59

(Continued)

(71) Applicant: **Kyowa Manufacturing Co., Ltd.**,
Osaka (JP)

(72) Inventor: **Naoki Nakamura**, Osaka (JP)

(73) Assignee: **KYOWA MANUFACTURING CO., LTD.**,
Osaka (JP)

(**) Term: **15 Years**

(21) Appl. No.: **29/645,547**

(22) Filed: **Apr. 27, 2018**

(30) **Foreign Application Priority Data**

Nov. 7, 2017 (JP) 2017-024824

(51) **LOC (12) Cl.** **28-03**

(52) **U.S. Cl.**
USPC **D28/59**

(58) **Field of Classification Search**
USPC D28/36-38, 57, 59, 73; D19/109;
D24/149

CPC A45D 29/04; A45D 29/11; A45D 29/18;
A45D 2/48; A45D 2/06; A45D 1/00;
A45D 1/03

See application file for complete search history.

(56) **References Cited**

U.S. PATENT DOCUMENTS

1,134,088 A * 3/1915 Mendelsohn A45D 29/04
132/75.6

4,712,552 A 12/1987 Pangburn

D388,904 S * 1/1998 Atkinson D28/57

5,732,719 A * 3/1998 Godbout A45D 29/04
132/76.4

5,799,666 A * 9/1998 Wu A45D 29/11
132/76.4

D463,070 S 9/2002 Fracassi

D476,446 S 6/2003 Chen

OTHER PUBLICATIONS

Damir Dry Heel Callus Remover, Damir, reviewed on Oct. 29, 2018
on amazon.com, retrieved on Mar. 10, 2019, retrieved from the
Internet URL: <https://www.amazon.com/Damir-Dry-Heel-Callus-Remover/dp/B07H942QMN>.*

(Continued)

Primary Examiner — Jennifer Rivard

Assistant Examiner — Alison M Ofstun

(74) *Attorney, Agent, or Firm* — IPUSA, PLLC

(57) **CLAIM**

The ornamental design for a heel file, as shown and
described.

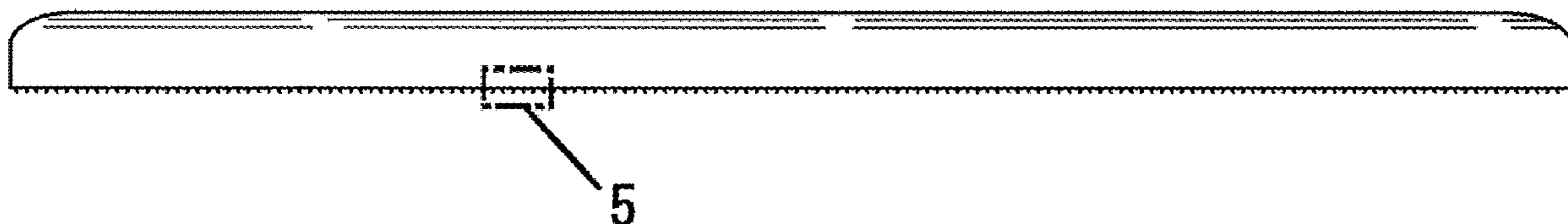
DESCRIPTION

FIG. 1 is a front view of a heel file showing our new design;
FIG. 2 is a right side view thereof;
FIG. 3 is a top plan view thereof;
FIG. 4 is a bottom plan view thereof;
FIG. 5 is a partially enlarged view thereof, of the portion
indicated "5" shown in FIG. 1; and,
FIG. 6 is a partially enlarged view thereof, of the portion
indicated "6" shown in FIG. 4.

The rear and left side views are omitted, because they are
mirror images of front and right side view, respectively. The
shading on the central portions of the heel file indicates
transparency. The shading near the outer edge of the heel file
indicates a sloped portion around the outer edge of the heel
file.

In the drawings, the dot-dash lines represent the designation
of enlargement views and their origin and form no part of the
claimed design.

1 Claim, 3 Drawing Sheets



(56)

References Cited

U.S. PATENT DOCUMENTS

D617,498 S	6/2010	Martin	
D631,199 S *	1/2011	Helm	D28/59
D640,874 S	7/2011	Huang	
D654,625 S *	2/2012	Rieser	D28/59
D705,489 S	5/2014	Kliegman et al.	
D759,312 S	6/2016	Kliegman et al.	
D787,747 S *	5/2017	King	D28/57
D819,208 S *	5/2018	Lam	D24/147
2008/0000490 A1 *	1/2008	Jo	A45D 29/18 132/76.4
2009/0025744 A1 *	1/2009	Jensen	A45D 29/04 132/76.4
2010/0037906 A1 *	2/2010	Ionis	A61B 17/54 132/76.5

OTHER PUBLICATIONS

Office Action dated May 28, 2019 issued with respect to the related Design U.S. Appl. No. 29/664,118.

* cited by examiner

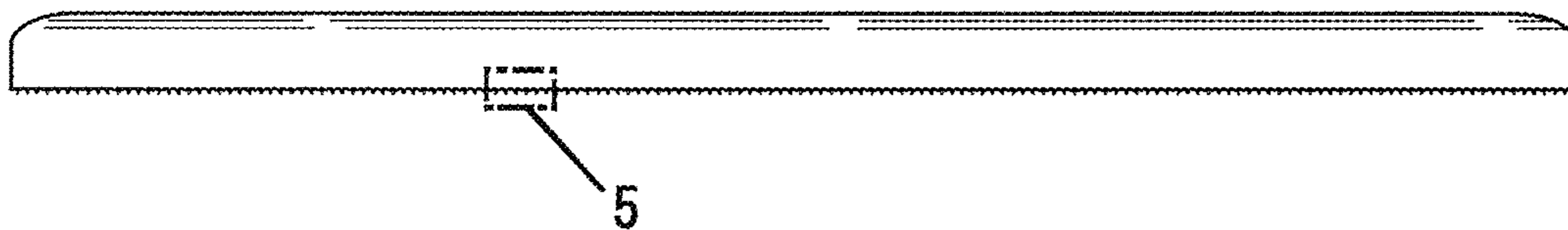


Fig. 1



Fig. 2

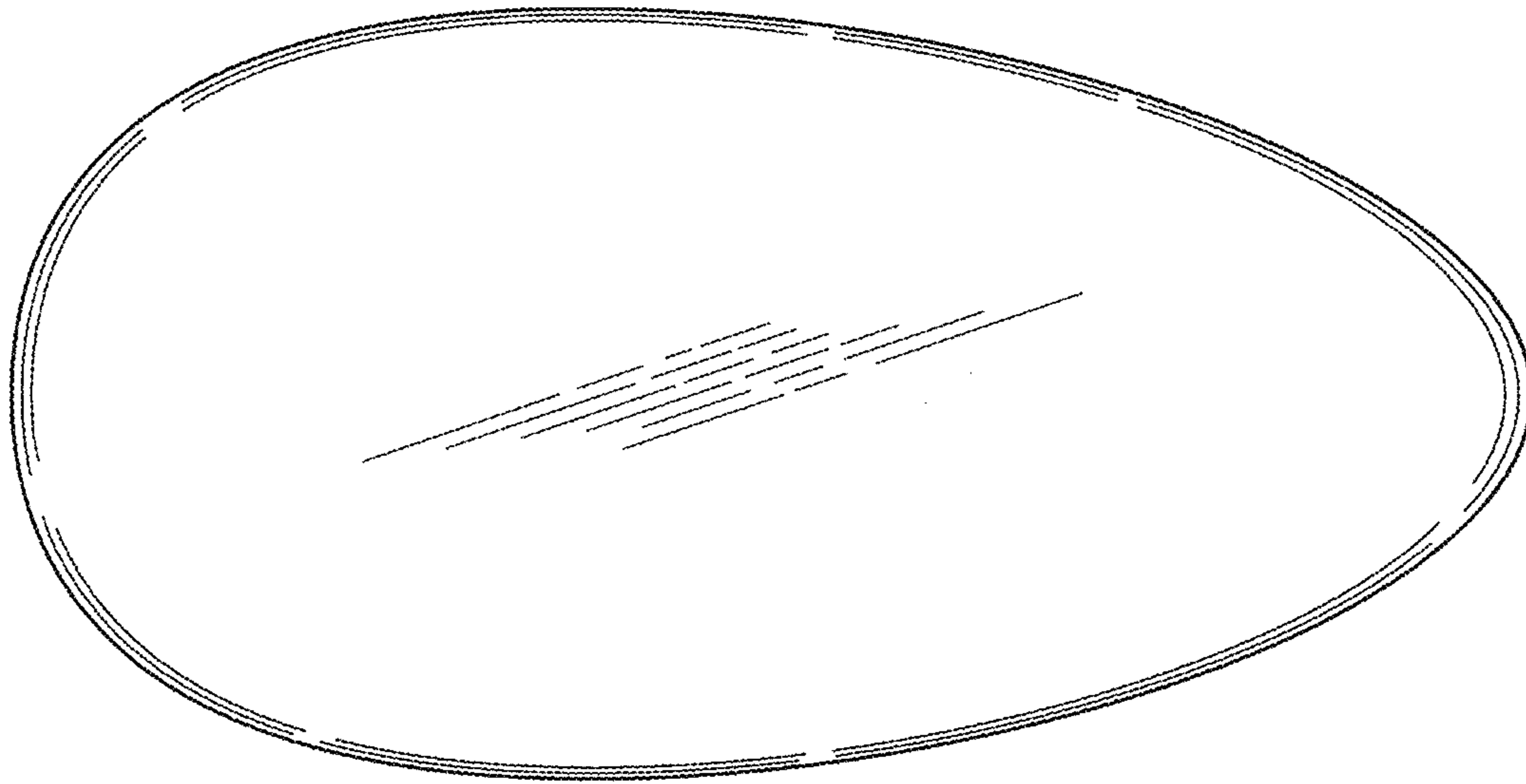


Fig. 3

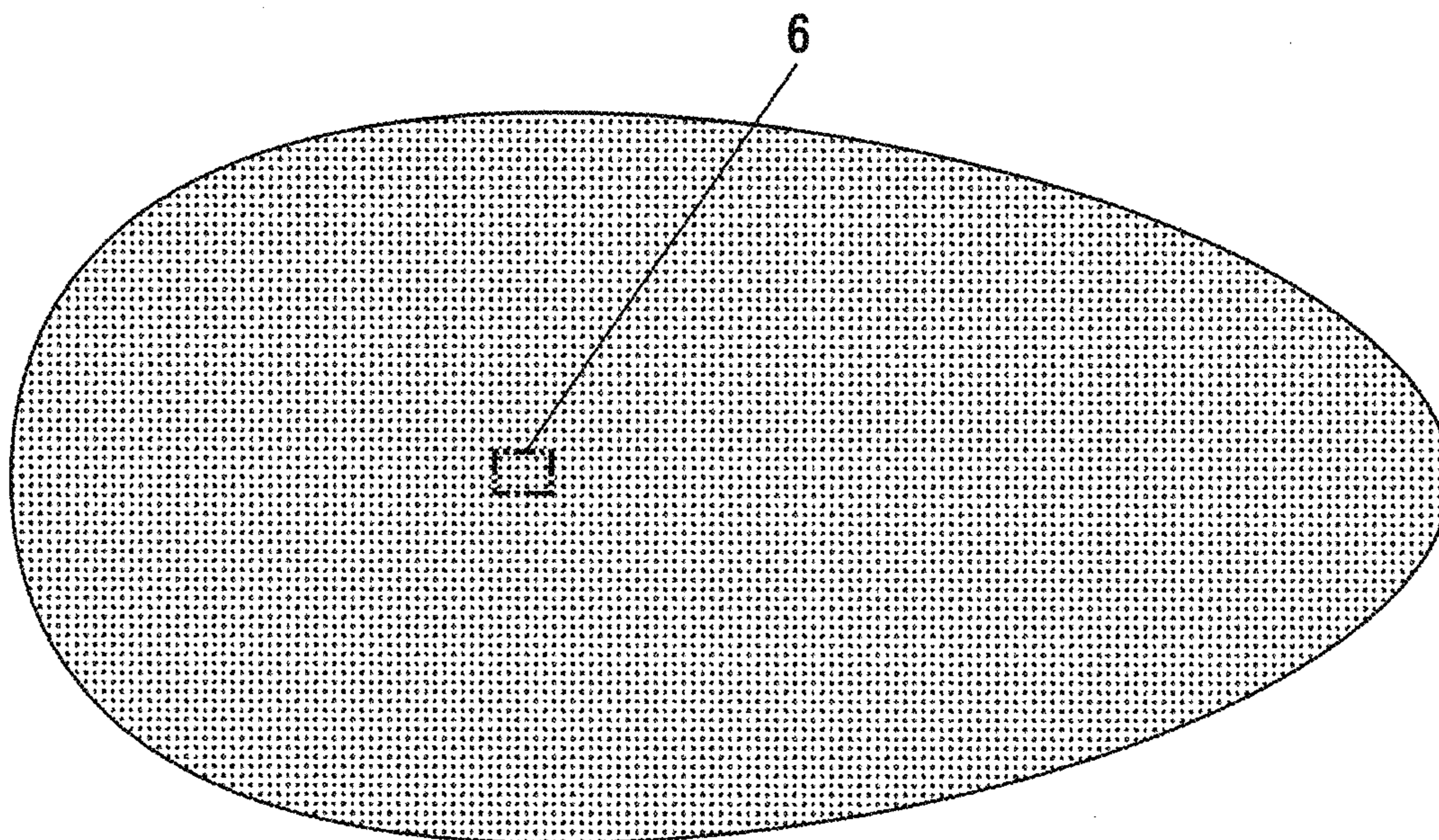


Fig. 4

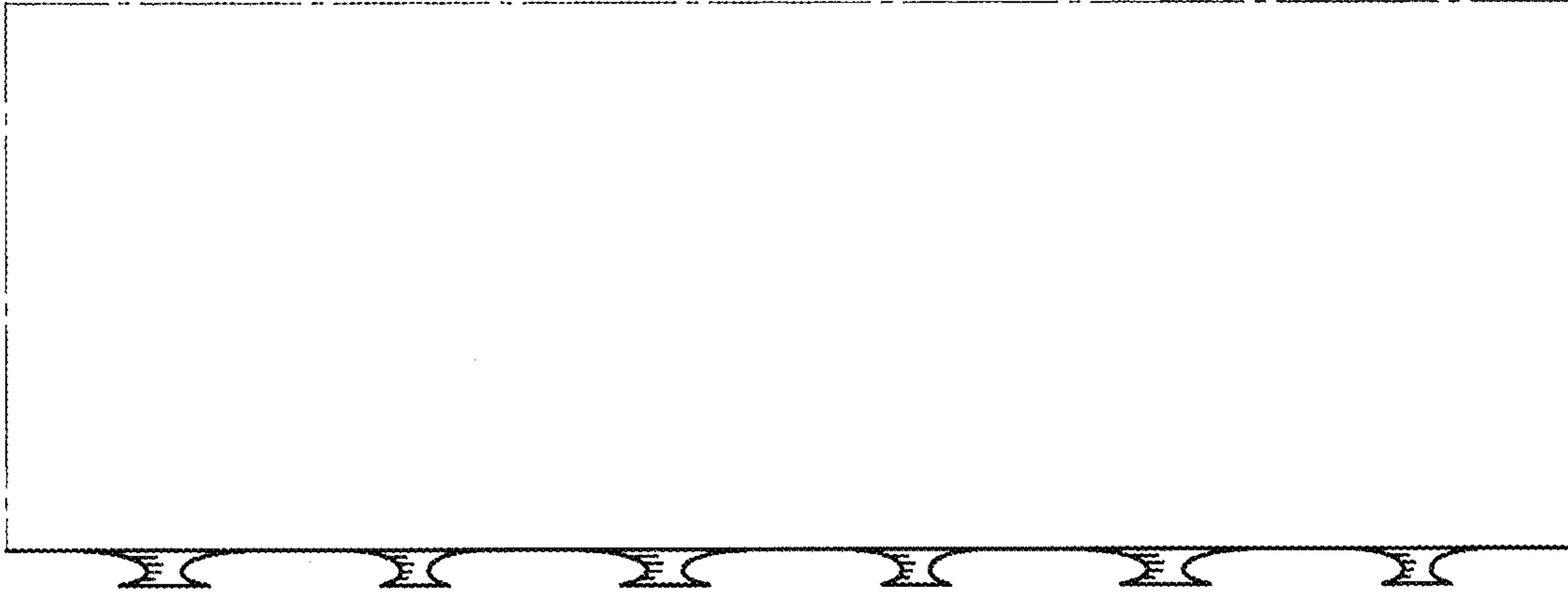


Fig. 5

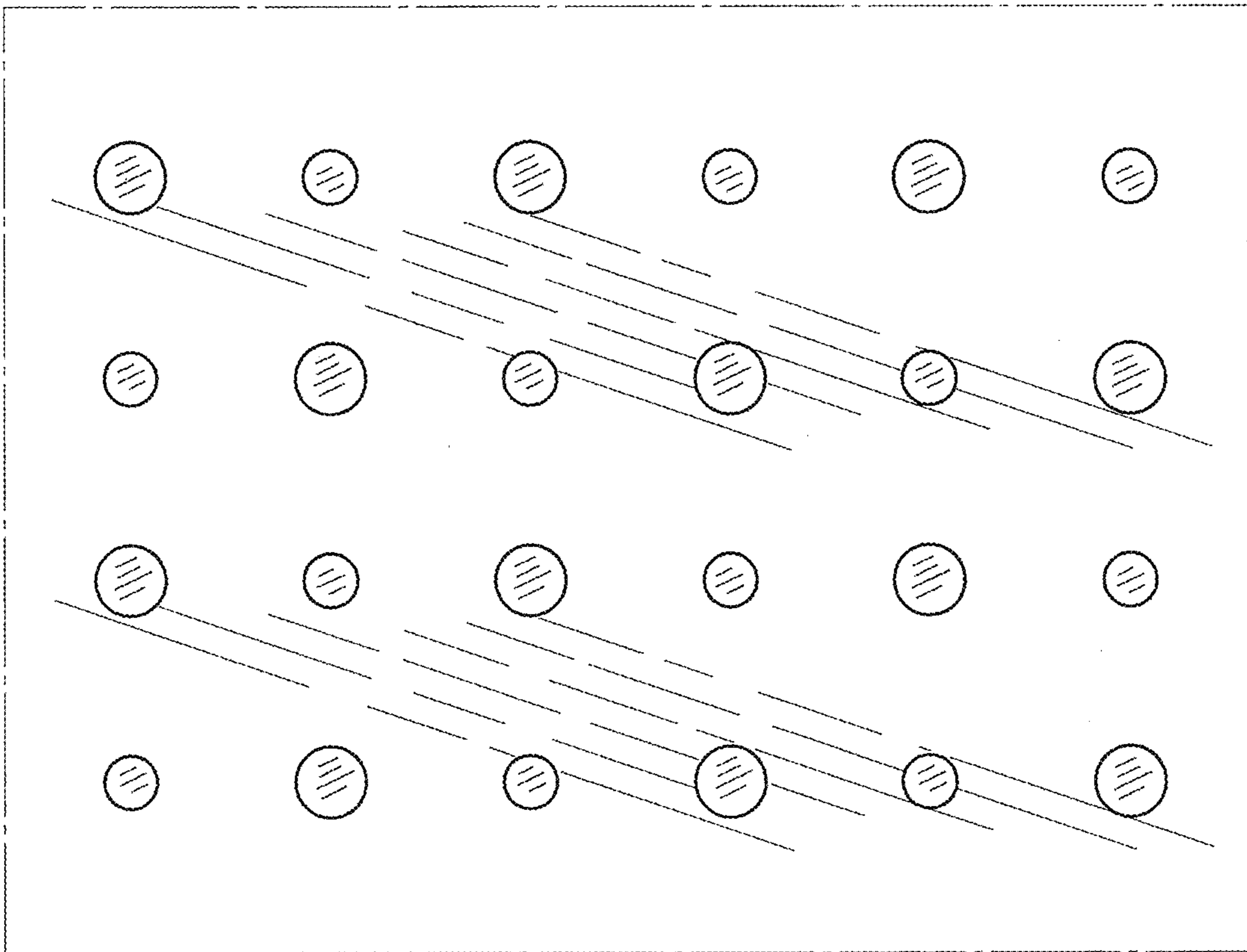


Fig. 6