



US00D880769S

(12) **United States Design Patent** (10) **Patent No.:** **US D880,769 S**  
**Dawson et al.** (45) **Date of Patent:** **\*\* Apr. 7, 2020**

(54) **HAIR TRIMMER DEVICE BODY**  
(71) Applicant: **Reckitt Benckiser (Brands) Limited**,  
Slough (GB)  
(72) Inventors: **Samuel Dawson**, Hull (GB); **Richard Gamble**, Slough (GB); **Jesse John Horne**, Warwickshire (GB); **Emma Raines**, Hull (GB); **David Sanders**, Warwickshire (GB)

D757,364 S \* 5/2016 Aulwes ..... D28/53  
D759,310 S \* 6/2016 Van Maanen ..... D28/54  
D805,691 S \* 12/2017 De Klein ..... D28/51  
D824,107 S \* 7/2018 Teteak ..... D28/53  
(Continued)

(73) Assignee: **RECKITT BENCKISER HEALTH LIMITED**, Slough (GB)

(\*\*) Term: **15 Years**

(21) Appl. No.: **29/644,231**

(22) Filed: **Apr. 16, 2018**

(30) **Foreign Application Priority Data**

Oct. 19, 2017 (EM) ..... 004411981-0005

(51) **LOC (12) Cl.** ..... **28-03**

(52) **U.S. Cl.**  
USPC ..... **D28/54**

(58) **Field of Classification Search**  
USPC ..... D28/45-54  
CPC ... B26B 21/00-12; B26B 21/14; B26B 21/16;  
B26B 21/165; B26B 21/18; B26B 21/185;  
B26B 21/20-227; B26B 19/00; B26B  
19/10; B26B 19/12; B26B 19/14; B26B  
19/38; B26B 19/02-107  
See application file for complete search history.

(56) **References Cited**

**U.S. PATENT DOCUMENTS**

D593,254 S \* 5/2009 Tamsiran ..... D28/51  
D608,051 S \* 1/2010 Tamsiran ..... D28/44.1  
D634,068 S \* 3/2011 Stowers ..... D28/53  
D696,461 S \* 12/2013 Prat-Pfister ..... D28/53  
D722,403 S \* 2/2015 Prat-Pfister ..... D28/54

**OTHER PUBLICATIONS**

How to use the Veet Sensitive Precision Expert™, VeetUK, published on May 12, 2018, retrieved on Jul. 11, 2019, retrieved from the Internet URL: <https://www.youtube.com/watch?v=j7XijDY6sE>.  
(Continued)

*Primary Examiner* — Jennifer Rivard  
*Assistant Examiner* — Alison M Ofstun  
(74) *Attorney, Agent, or Firm* — Troutman Sanders LLP;  
Ryan Schneider; Chris Davis

(57) **CLAIM**

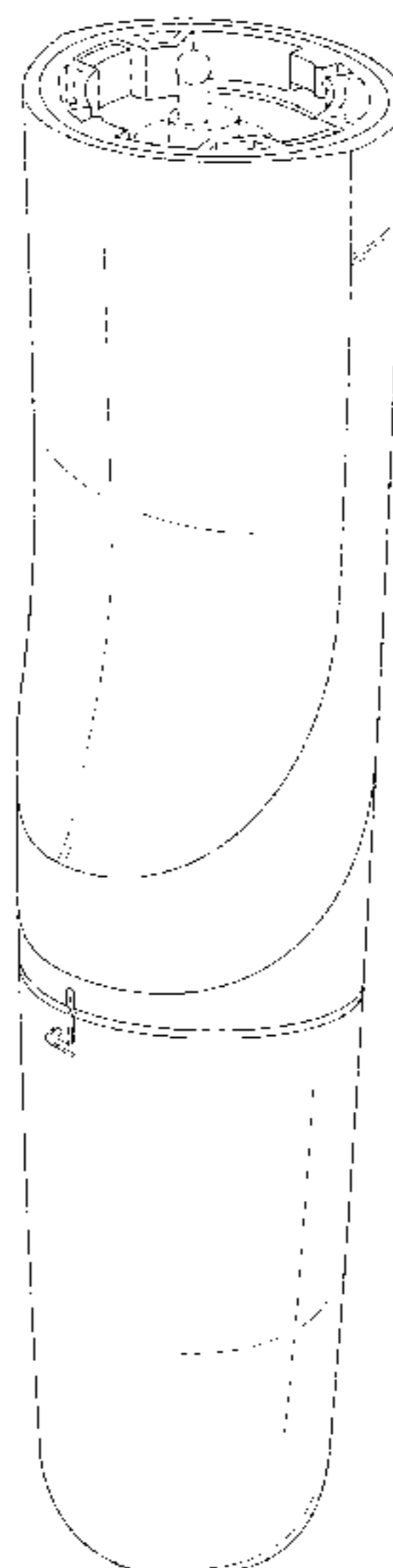
The ornamental design for a hair trimmer device body, as shown and described.

**DESCRIPTION**

FIG. 1 is a perspective view of the hair trimmer device body showing our new design;  
FIG. 2 is a front elevation view of the hair trimmer device body of FIG. 1;  
FIG. 3 is a side elevation view of the hair trimmer device body of FIG. 1;  
FIG. 4 is a back elevation view of the hair trimmer device body of FIG. 1;  
FIG. 5 is a side elevation view of the hair trimmer device body of FIG. 1, opposite the side shown in FIG. 3;  
FIG. 6 is a top plan view of the hair trimmer device body of FIG. 1; and,  
FIG. 7 is a bottom plan view of the hair trimmer device body of FIG. 1.

In the drawings, the broken lines represent portions of the article which form no part of the claimed design.

**1 Claim, 7 Drawing Sheets**



(56)

**References Cited**

U.S. PATENT DOCUMENTS

D824,108 S \* 7/2018 Teteak ..... D28/53  
D830,633 S \* 10/2018 Gamble ..... D28/53  
D830,634 S \* 10/2018 Gamble ..... D28/54  
2011/0308087 A1\* 12/2011 Rehbein ..... B26B 19/06  
30/34.1

OTHER PUBLICATIONS

How to use Veet Sensitive Precision™ Beauty Styler?, VeetUK, published on Jul. 22, 2016 on youtube.com, retrieved on Jul. 11, 2019, retrieved from the Internet URL: [https://www.youtube.com/watch?v=Rxw3N2E\\_Nyk](https://www.youtube.com/watch?v=Rxw3N2E_Nyk).\*

Veet Sensitive Precision Beauty Styler Expert\_ Veet, first available on Jan. 10, 2018 on amazon.co.uk, retrieved on Jul. 11, 2019, retrieved from the Internet URL: <https://www.amazon.co.uk/Veet-Sensitive-Precision-Beauty-Styler/dp/B078J39LBN>.\*

\* cited by examiner

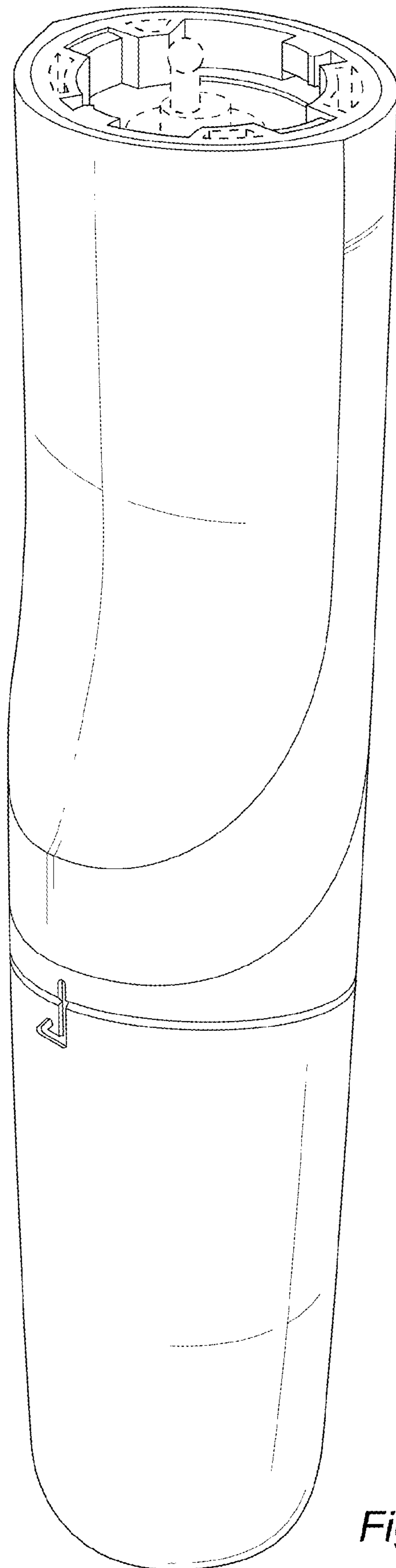


Fig. 1

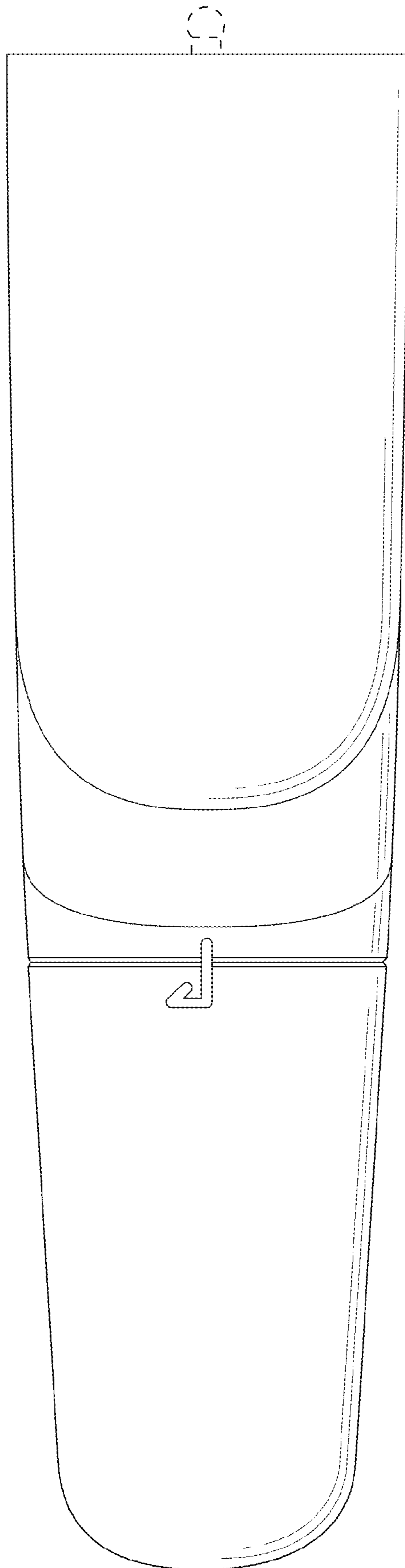


Fig. 2

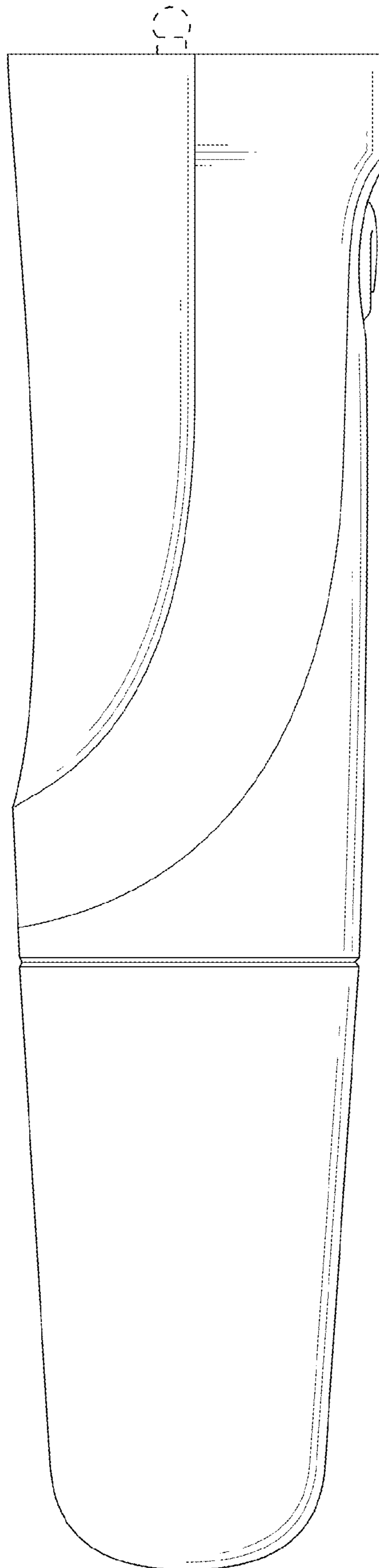


Fig. 3

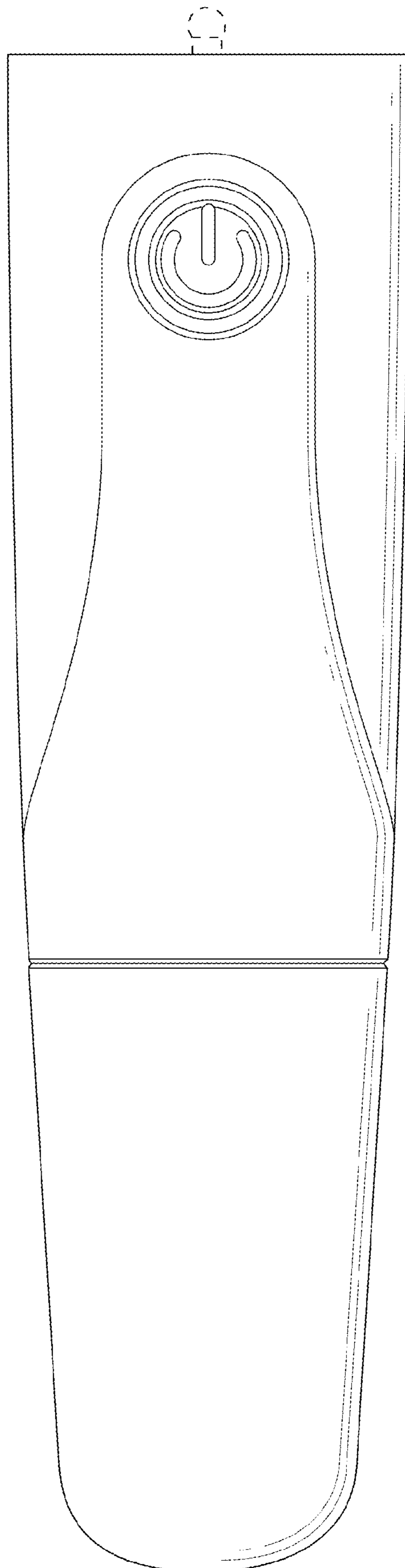


Fig. 4

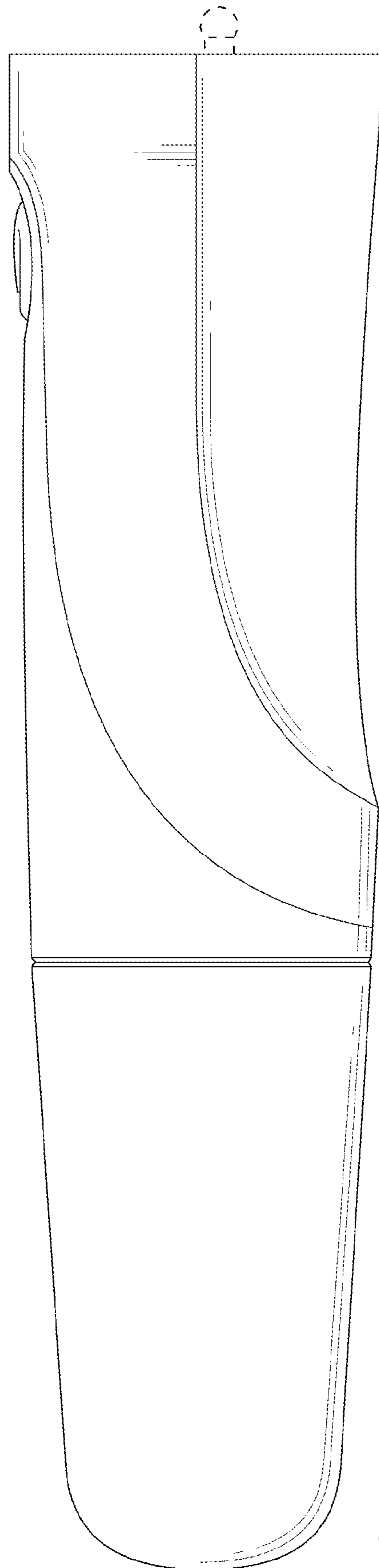
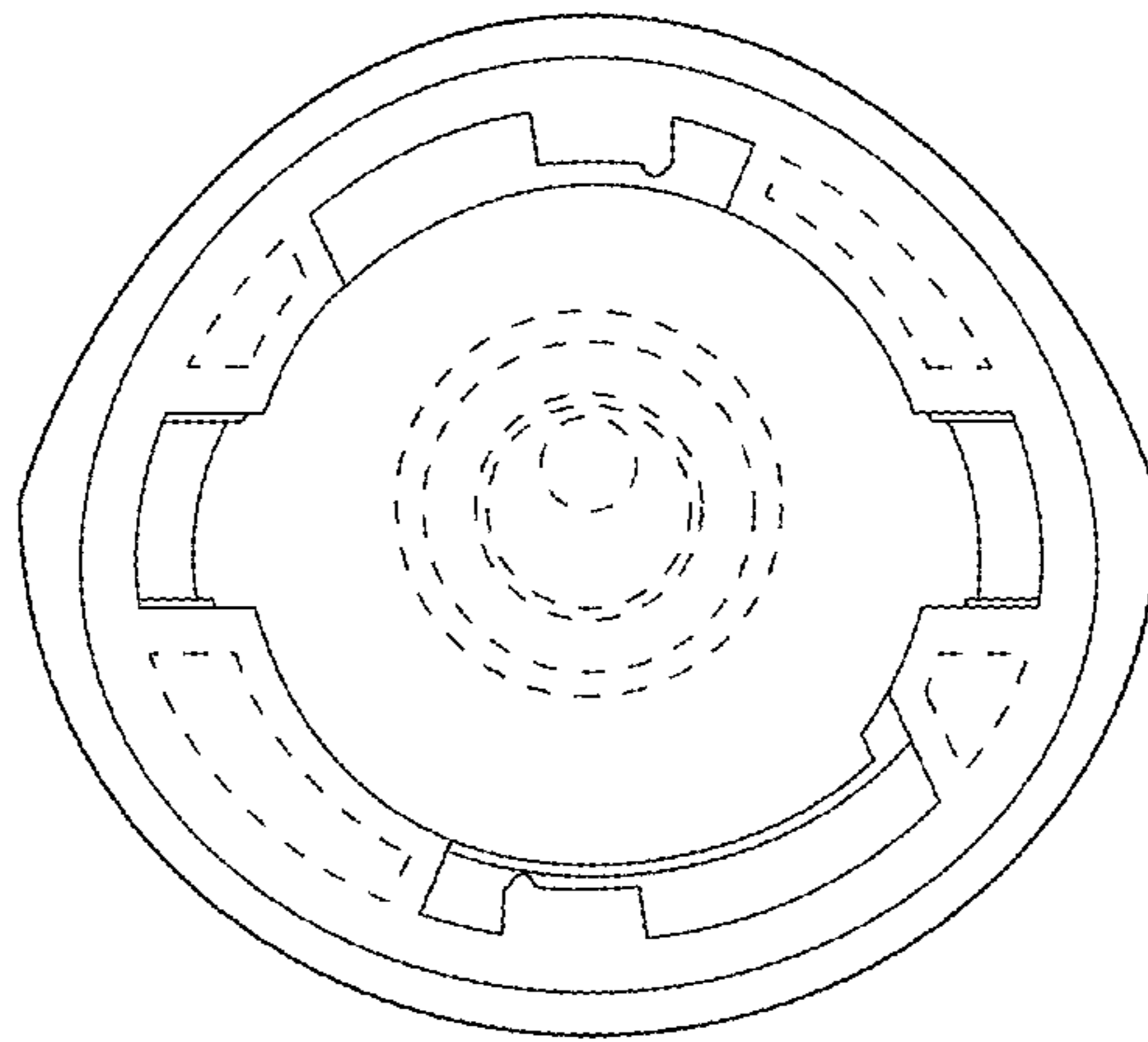
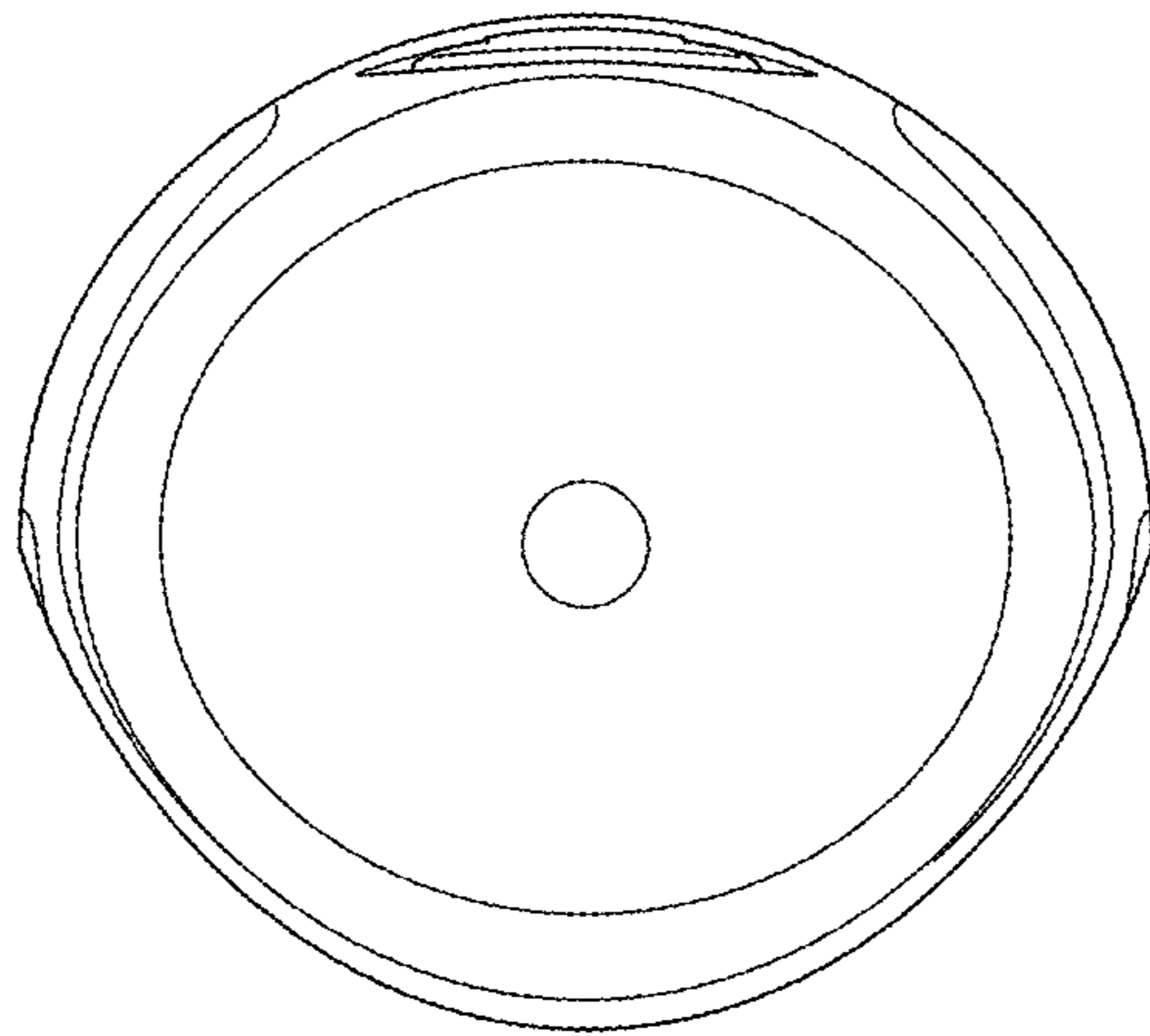


Fig. 5



*Fig. 6*





*Fig. 7*