



US00D880766S

(12) **United States Design Patent** (10) **Patent No.:** **US D880,766 S**
Chiu (45) **Date of Patent:** **** Apr. 7, 2020**

(54) **MAKE-UP BLENDER**
(71) Applicant: **ASQUAN LIMITED**, San Po Kong, Kowloon (HK)
(72) Inventor: **Long Yan Chiu**, Quarry Bay (HK)
(73) Assignee: **ASQUAN LIMITED**, San Po Kong, Kowloon (HK)
(**) Term: **15 Years**
(21) Appl. No.: **29/636,207**
(22) Filed: **Feb. 7, 2018**
(51) **LOC (12) Cl.** **28-02**
(52) **U.S. Cl.**
USPC **D28/7**
(58) **Field of Classification Search**
USPC D28/7, 8, 59, 82; D4/137; D21/455;
D24/119; D19/187; D32/40, 43;
132/320, 317
CPC A45D 2200/1009; A45D 2200/1018; A45D
34/04; A61K 8/02
See application file for complete search history.

D851,329 S * 6/2019 Celia D28/7
D852,414 S * 6/2019 Celia D28/7
D854,743 S * 7/2019 Siddiqui D28/7

OTHER PUBLICATIONS

<https://www.amazon.com/EmaxDesign-Sponges-Foundation-Blending-Concealer/dp/B07D6B8RJY/ref=> (Jun. 24, 2018).*

* cited by examiner

Primary Examiner — Marissa J Cash
Assistant Examiner — Rebecca Tsehaye
(74) *Attorney, Agent, or Firm* — Prol Intellectual Property Law, PLLC; H. Kenneth Prol

(57) **CLAIM**

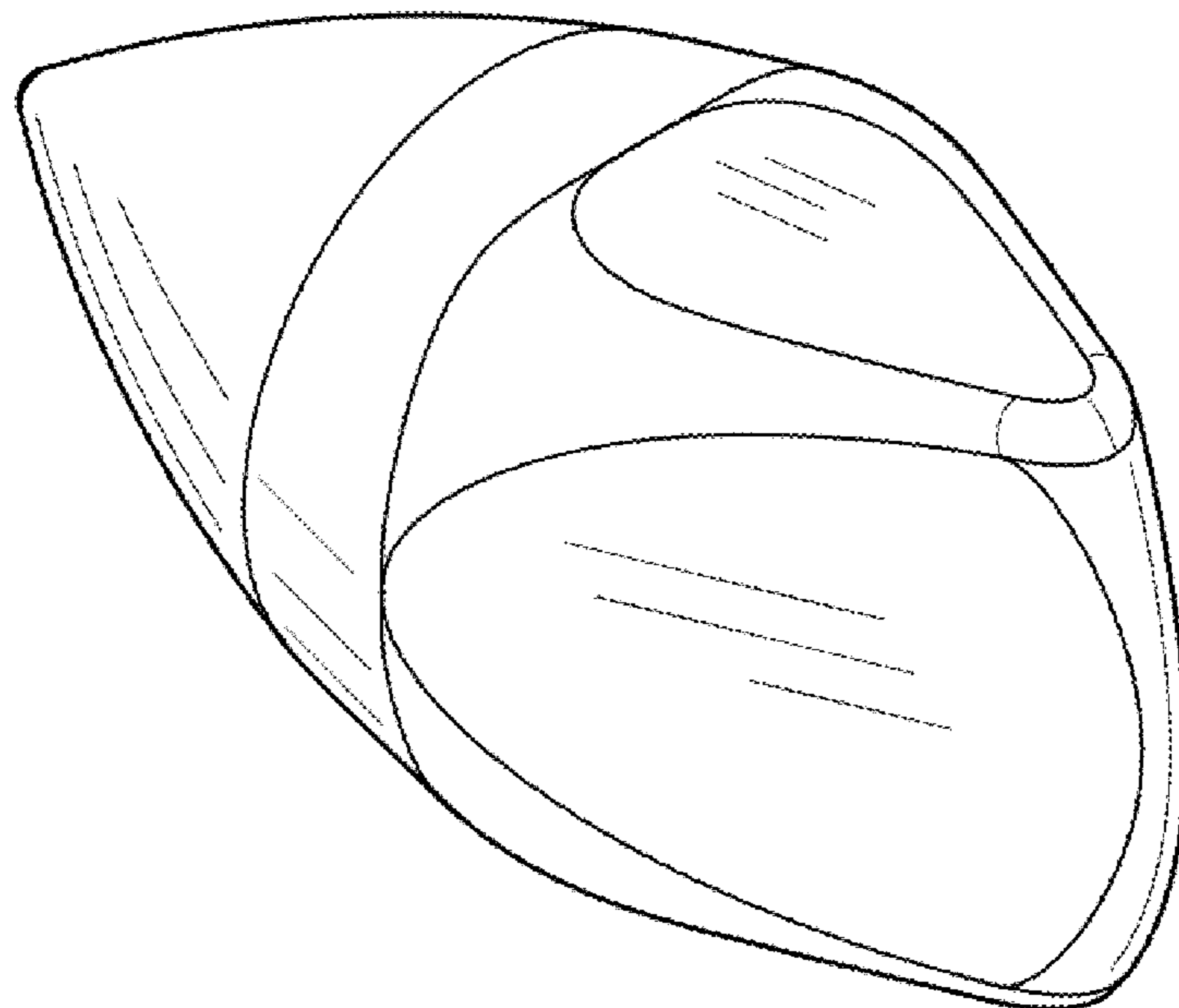
The ornamental design for a make-up blender, as shown and described.

DESCRIPTION

FIG. 1 is a rear perspective view of a make-up blender according to the new design;
FIG. 2 is a top view of the make-up blender of FIG. 1;
FIG. 3 is a front perspective view of the make-up blender of FIG. 1;
FIG. 4 is a front view of the make-up blender of FIG. 1;
FIG. 5 is a rear view of the make-up blender of FIG. 1;
FIG. 6 is a right side view of the make-up blender of FIG. 1;
FIG. 7 is a left side view of the make-up blender of FIG. 1;
FIG. 8 is another rear perspective view of the make-up blender of FIG. 1;
FIG. 9 is a bottom view of the make-up blender of FIG. 1; and,
FIG. 10 is another front perspective view of the make-up blender of FIG. 1.

1 Claim, 3 Drawing Sheets

(56) **References Cited**
U.S. PATENT DOCUMENTS
D659,330 S * 5/2012 Davis D32/40
D685,545 S * 7/2013 Ono D32/40
D709,646 S * 7/2014 Celia D28/7
D775,416 S * 12/2016 Celia, Jr. D28/7
D796,114 S * 8/2017 Nicoline D28/7
D809,707 S * 2/2018 Celia D28/7
D813,452 S * 3/2018 Celia D28/7
D822,277 S * 7/2018 Xavier D28/7
D827,926 S * 9/2018 Stark D28/7
D831,886 S * 10/2018 Patel D28/7
D832,923 S * 11/2018 Xie D19/187
D840,591 S * 2/2019 Villarreal D28/7



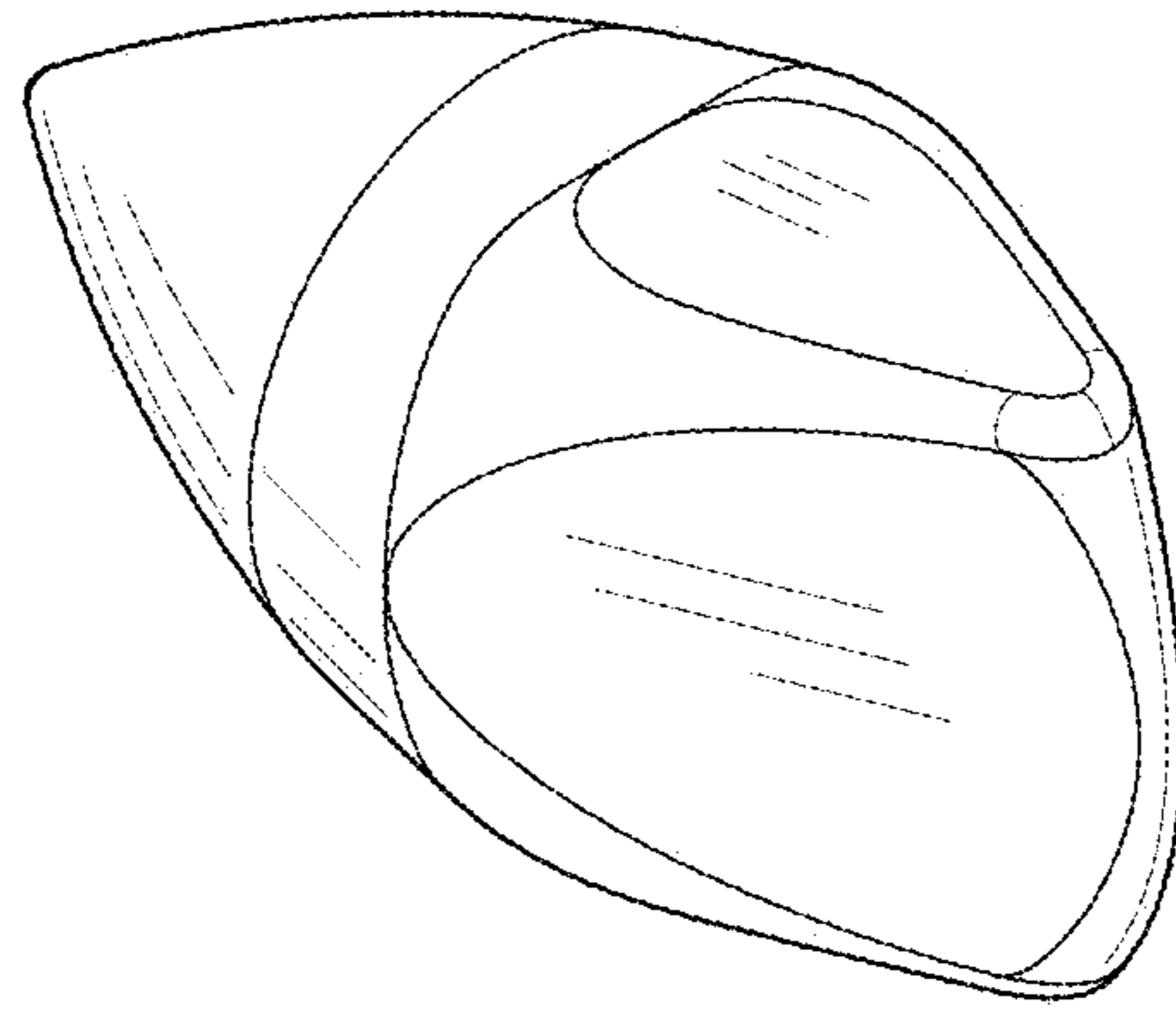


FIG. 1

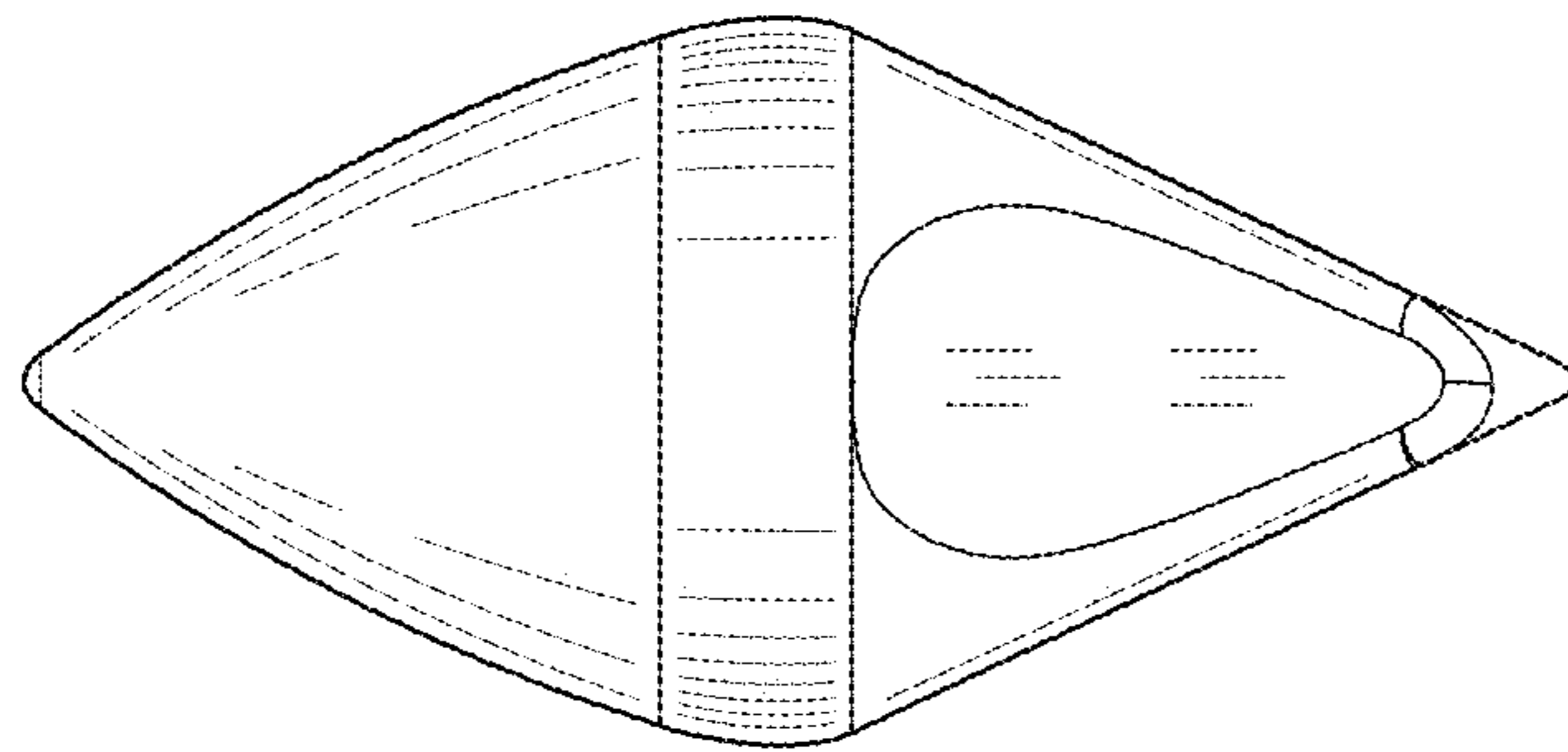


FIG. 2

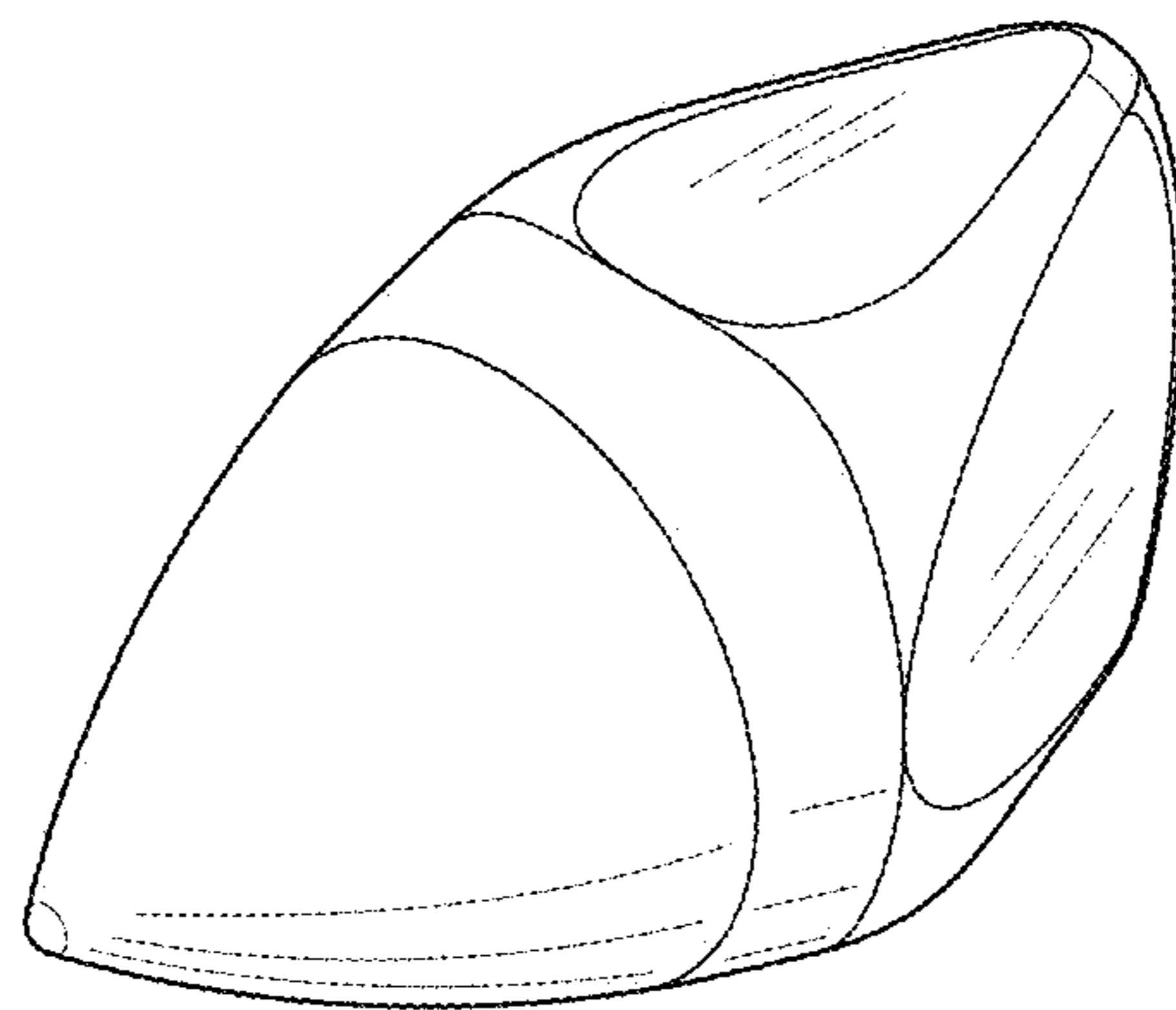


FIG. 3

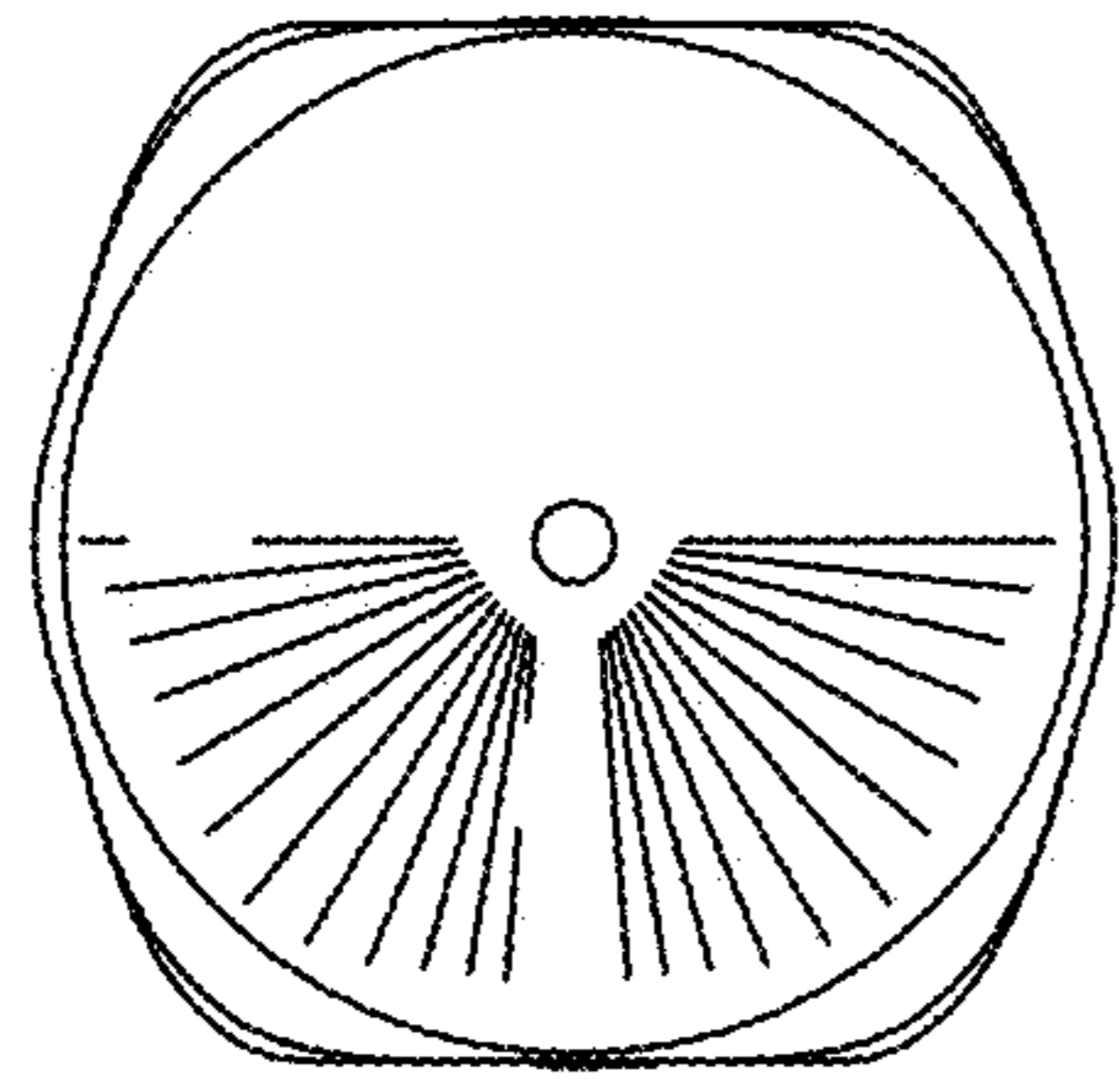


FIG. 4

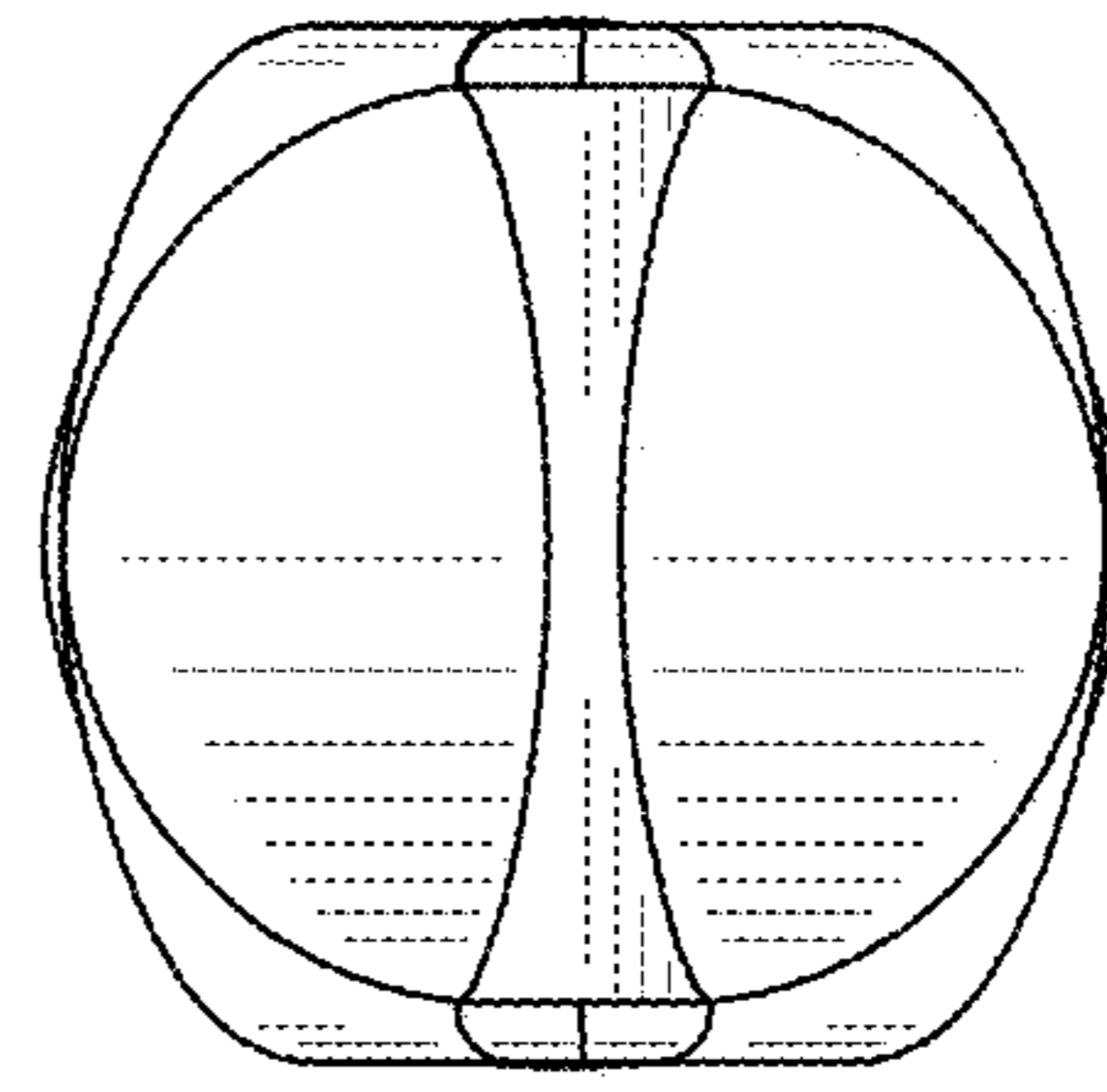


FIG. 5

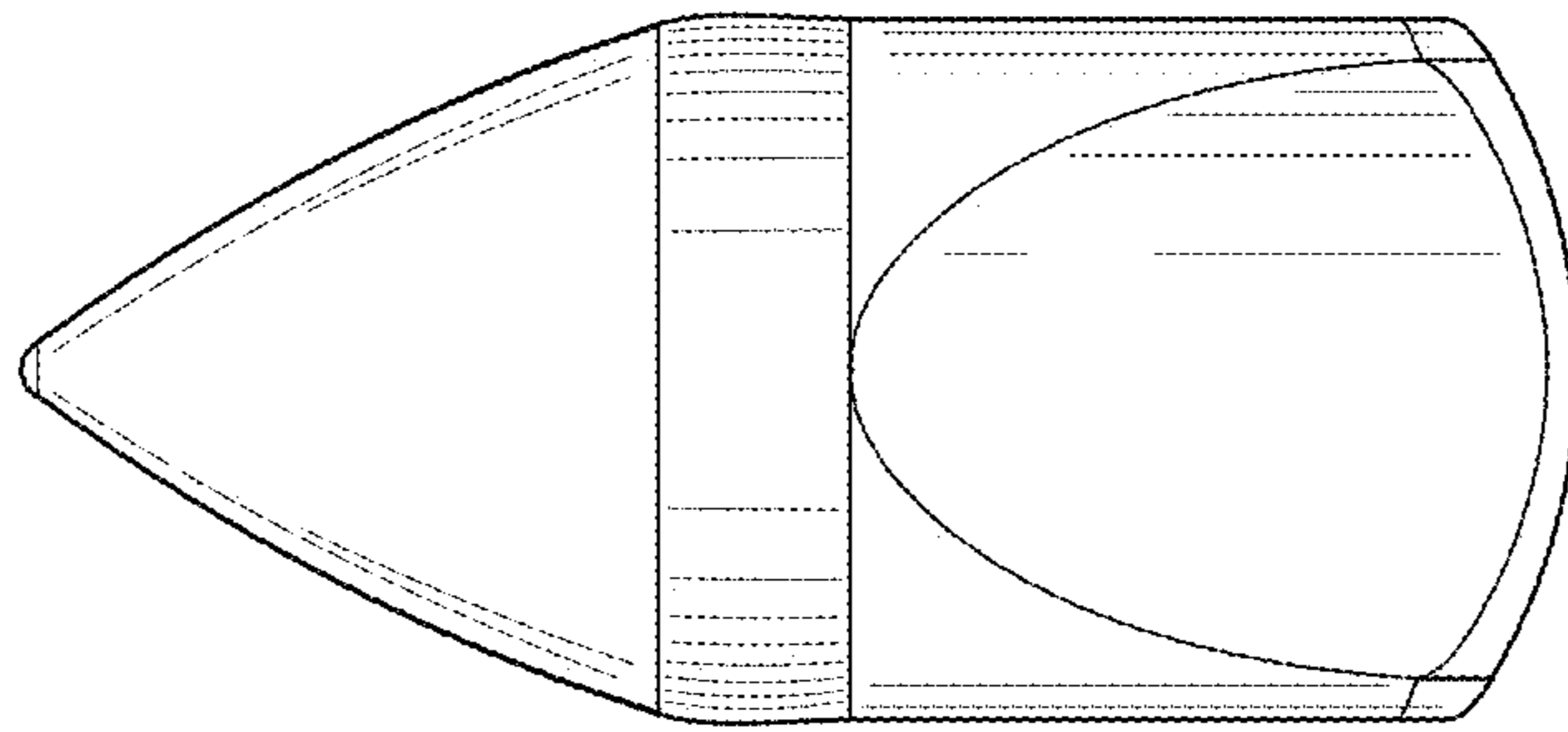


FIG. 6

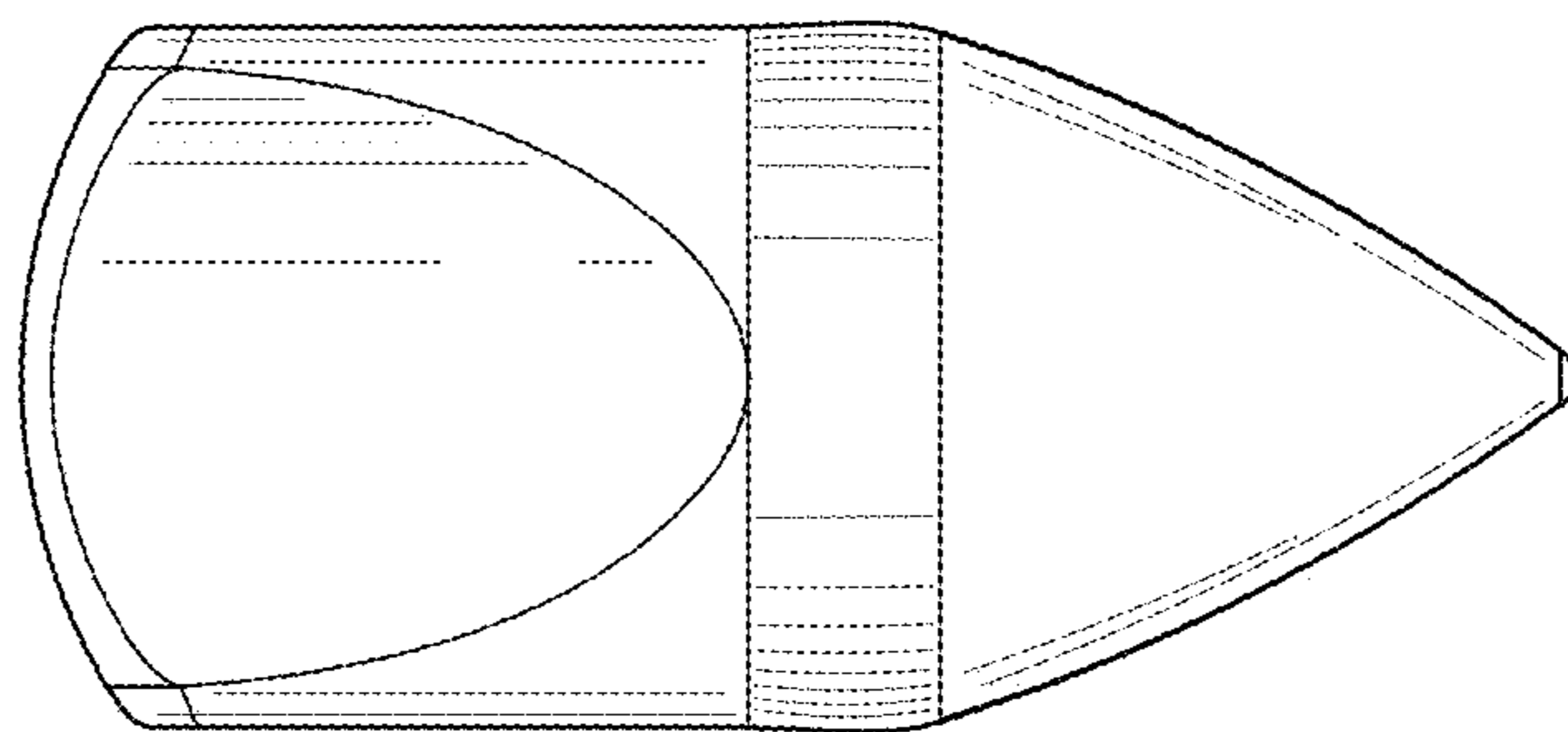


FIG. 7

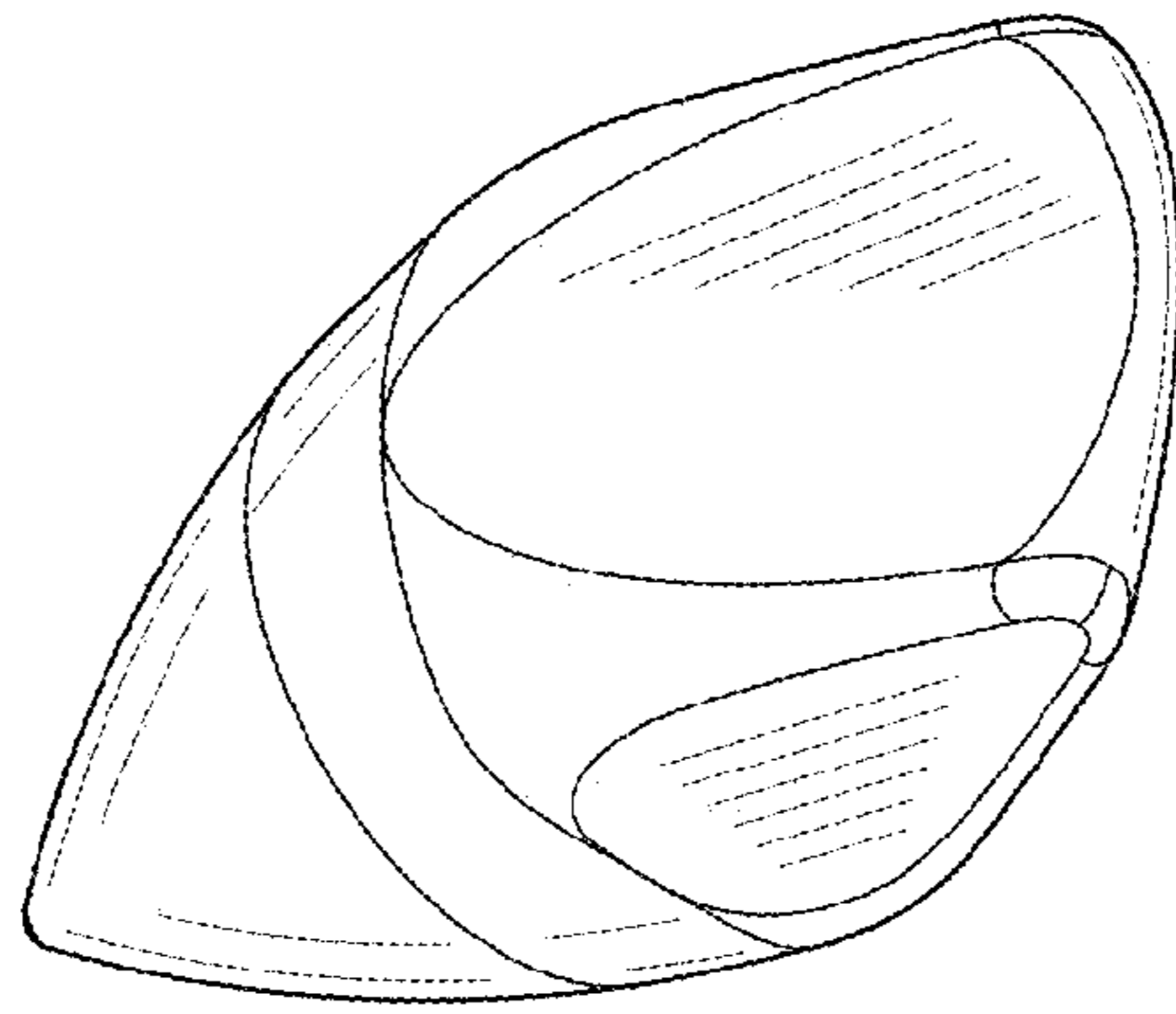


FIG. 8

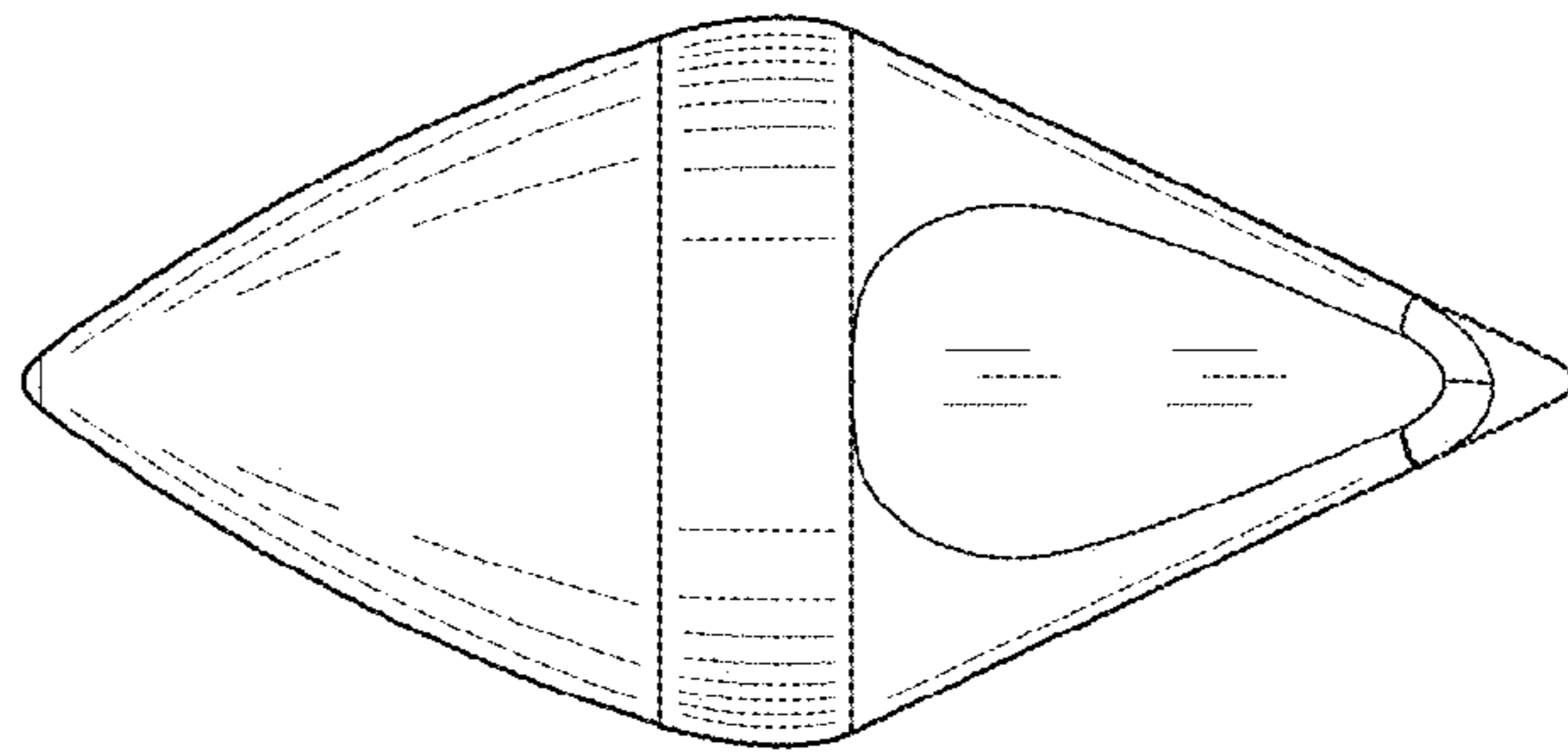


FIG. 9

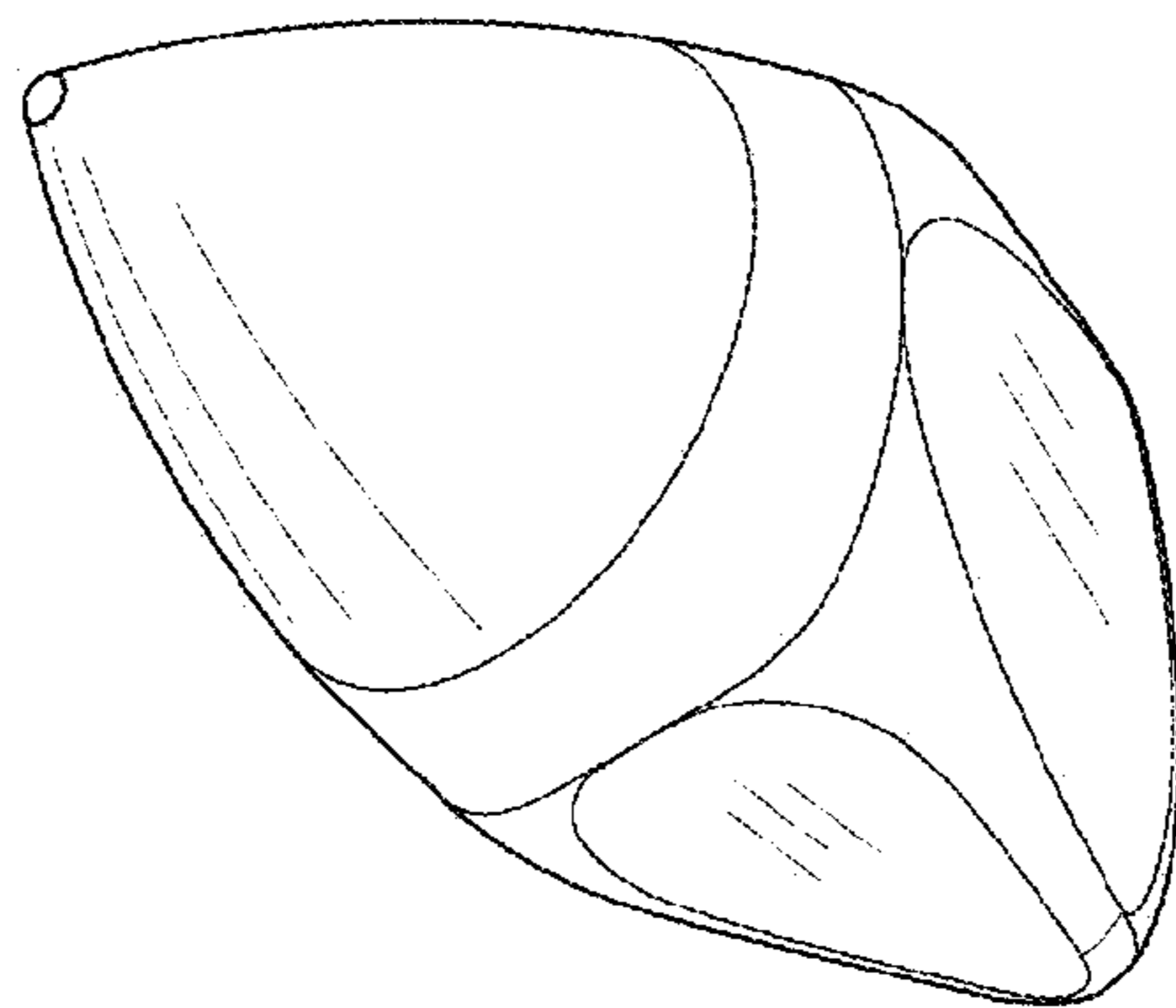


FIG. 10