



US00D880762S

(12) **United States Design Patent** (10) **Patent No.:** **US D880,762 S**
Hadjian et al. (45) **Date of Patent:** **** Apr. 7, 2020**

(54) **HOUSING FOR LED BOARD**
 (71) Applicant: **WESTGATE MFG, INC.**, Vernon, CA (US)
 (72) Inventors: **Ebrahim (Avi) Hadjian**, Los Angeles, CA (US); **Eshagh Hadjian**, Los Angeles, CA (US)

(**) Term: **15 Years**

(21) Appl. No.: **29/643,677**

(22) Filed: **Apr. 10, 2018**

(51) **LOC (12) Cl.** **26-05**

(52) **U.S. Cl.**
 USPC **D26/138**

(58) **Field of Classification Search**
 USPC D26/72, 74, 76, 78-83, 85, 86, 88, 90, D26/93, 111, 113, 118, 119, 120, 121, D26/122, 138, 139, 140, 141, 142, 152
 CPC F21S 2/00; F21S 4/00; F21S 4/003; F21S 4/005; F21S 4/006; F21S 4/007; F21S 4/008; F21S 6/00; F21S 8/00; F21S 8/024; F21S 8/026; F21S 8/031; F21S 8/033; F21S 8/035-037; F21S 8/04; F21S 8/043; F21S 8/063
 See application file for complete search history.

(56) **References Cited**

U.S. PATENT DOCUMENTS

D243,035 S * 1/1977 Kohlenstein D26/24
 D352,564 S * 11/1994 Marischen D26/26
 D411,634 S * 6/1999 Connelly D26/104
 D584,443 S * 1/2009 Bergmann D26/85

D623,344 S * 9/2010 Tsai D26/138
 D707,386 S * 6/2014 McKenzie D26/142
 D795,360 S * 8/2017 Ahn D21/499
 D819,441 S * 6/2018 Doster D9/432
 D827,183 S * 8/2018 Sonneman D26/85
 D834,235 S * 11/2018 Gambrel D26/89
 D849,992 S * 5/2019 Deng D26/120
 D855,244 S * 7/2019 Sonneman D26/113
 D856,570 S * 8/2019 Sonneman D26/113
 D857,289 S * 8/2019 Behnke H02G 3/20
 D870,364 S * 12/2019 Sonneman D26/138
 D870,365 S * 12/2019 Sonneman D26/138
 D874,056 S * 1/2020 Maltby D26/152
 2019/0309929 A1 * 10/2019 Hadjian F21V 15/01

* cited by examiner

Primary Examiner — Natasha Vujcic

(74) *Attorney, Agent, or Firm* — Payam Moradian

(57) **CLAIM**

We claim the ornamental design for a housing for LED board, as shown and described.

DESCRIPTION

FIG. 1 is a front top perspective view of the housing for LED board, showing our new design;
 FIG. 2 is a top view thereof;
 FIG. 3 is a front view thereof;
 FIG. 4 is a rear view thereof;
 FIG. 5 is a left side view thereof;
 FIG. 6 is a right side view thereof; and,
 FIG. 7 is a bottom view thereof.

The broken lines in FIG. 7 are for showing the bottom side of the housing and form no part of the claimed design.

1 Claim, 7 Drawing Sheets

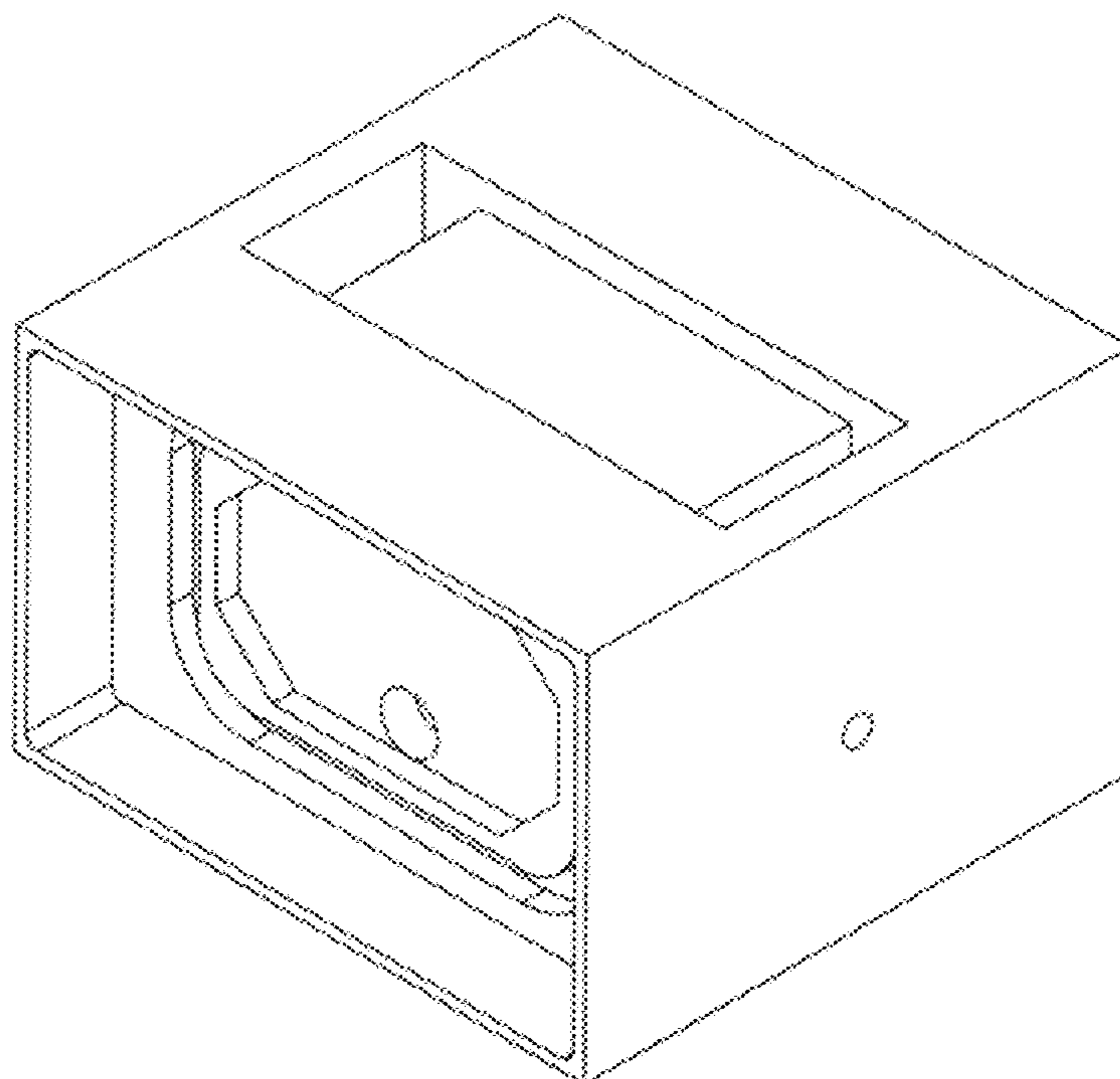


Fig. 1

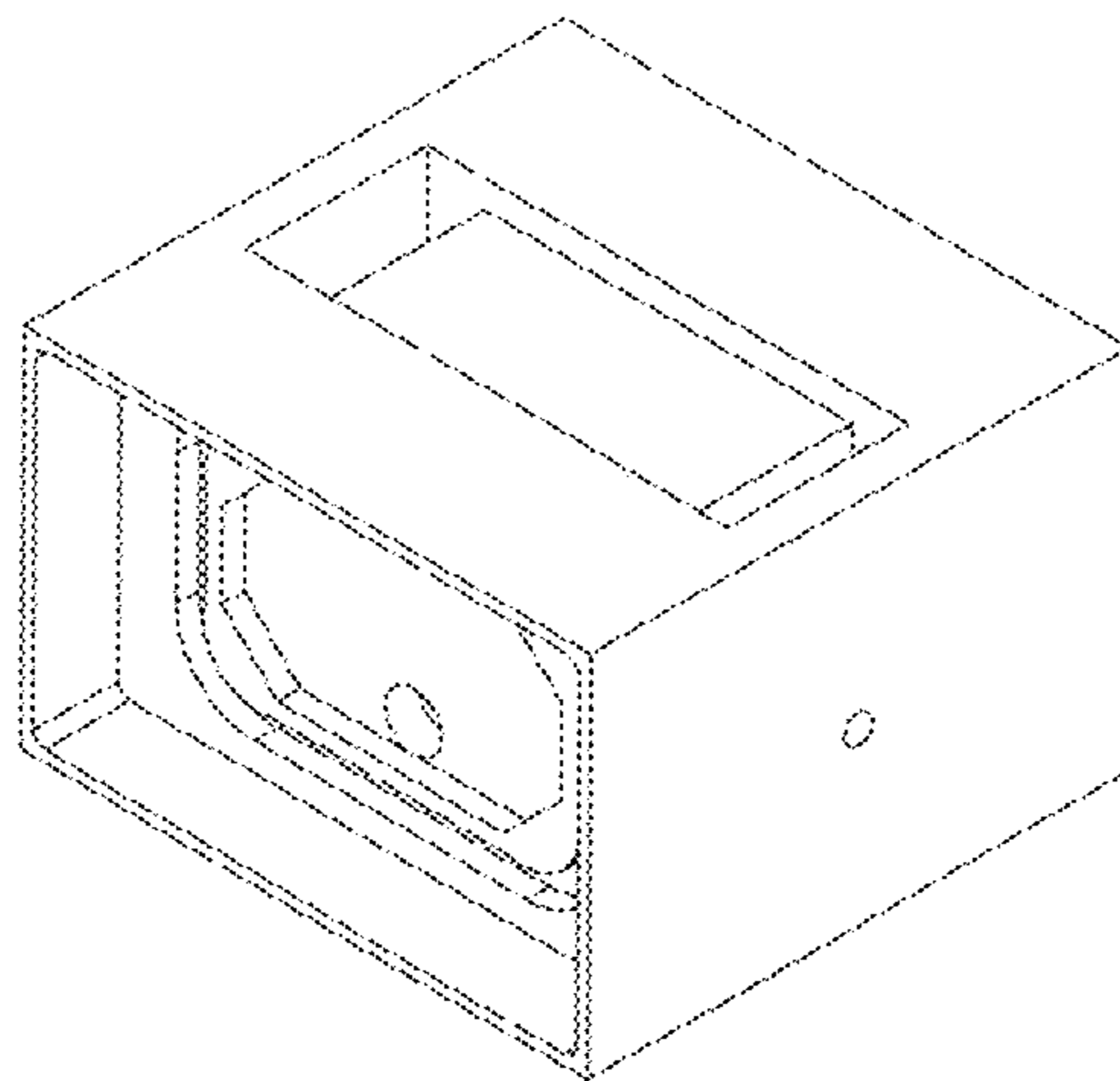


Fig 2

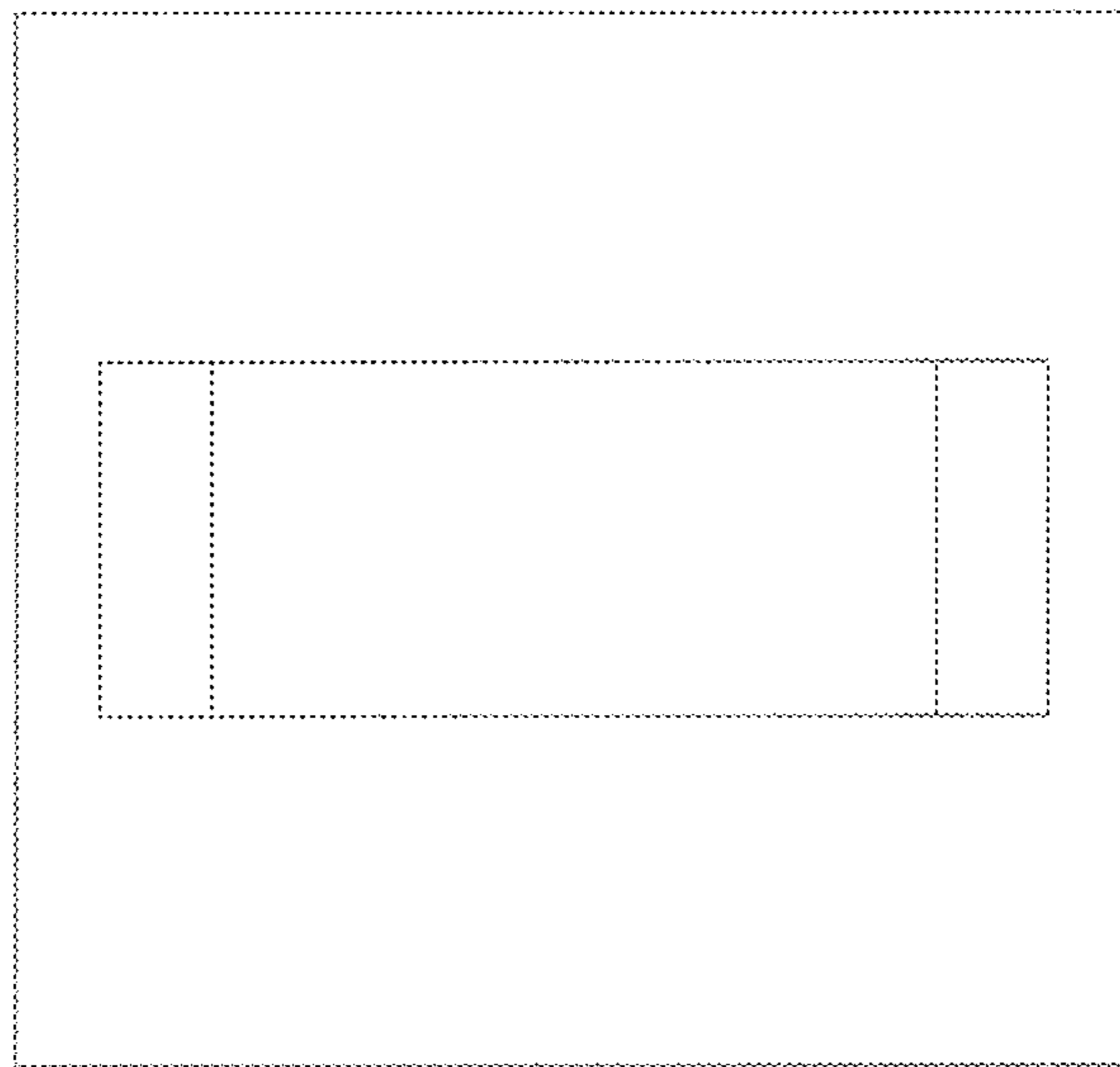


Fig. 3

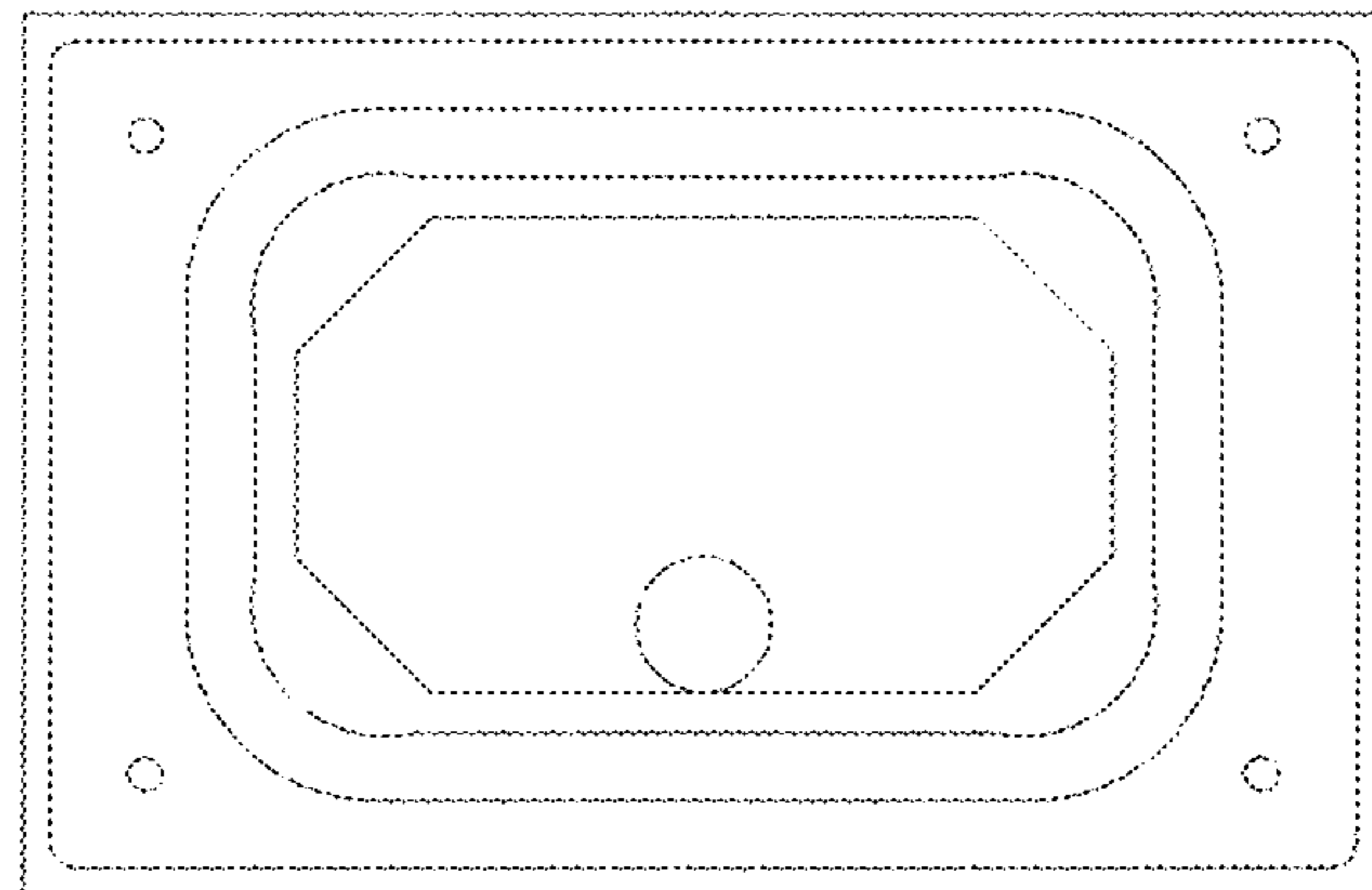


Fig. 9

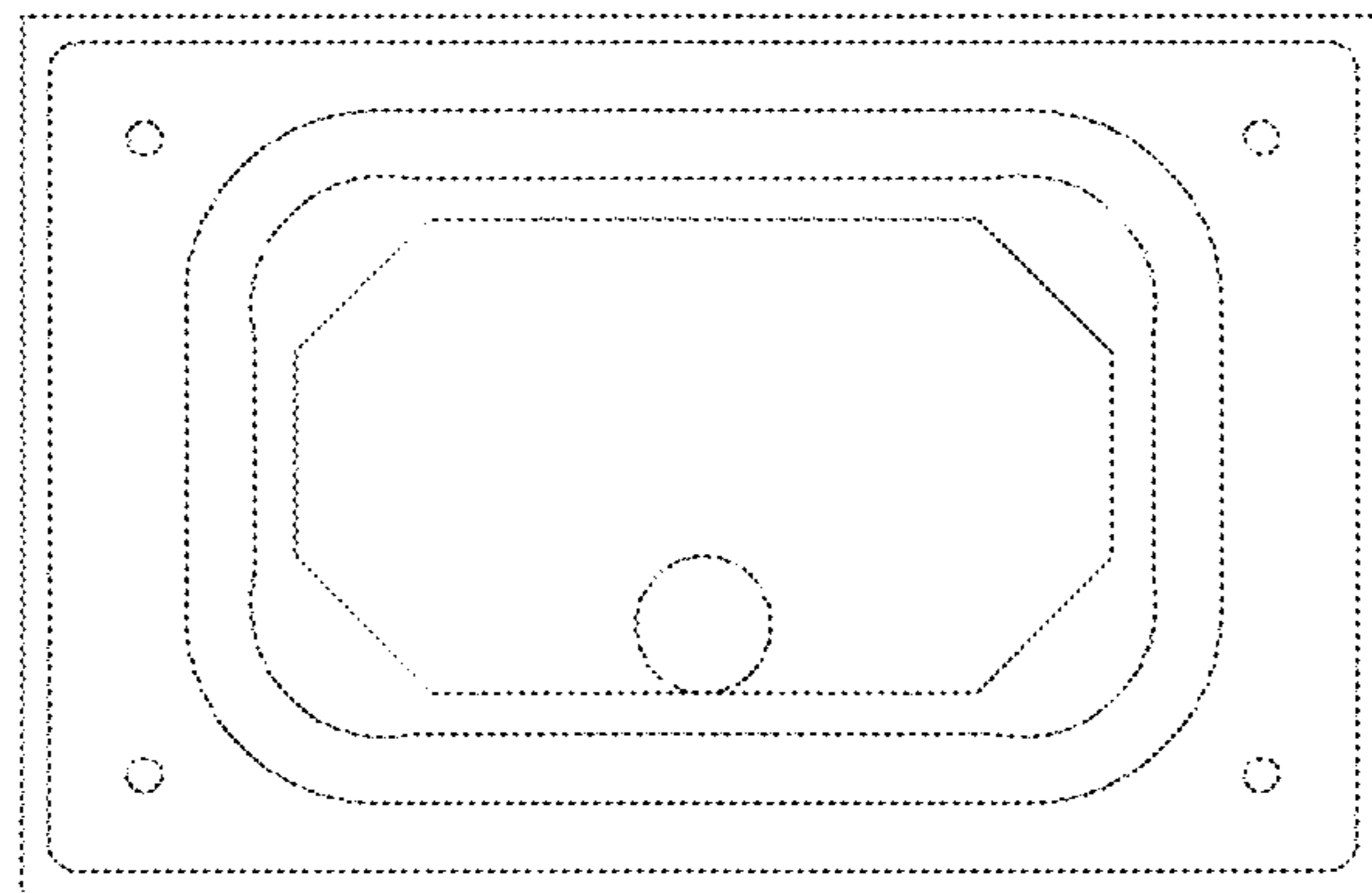


Fig. 5

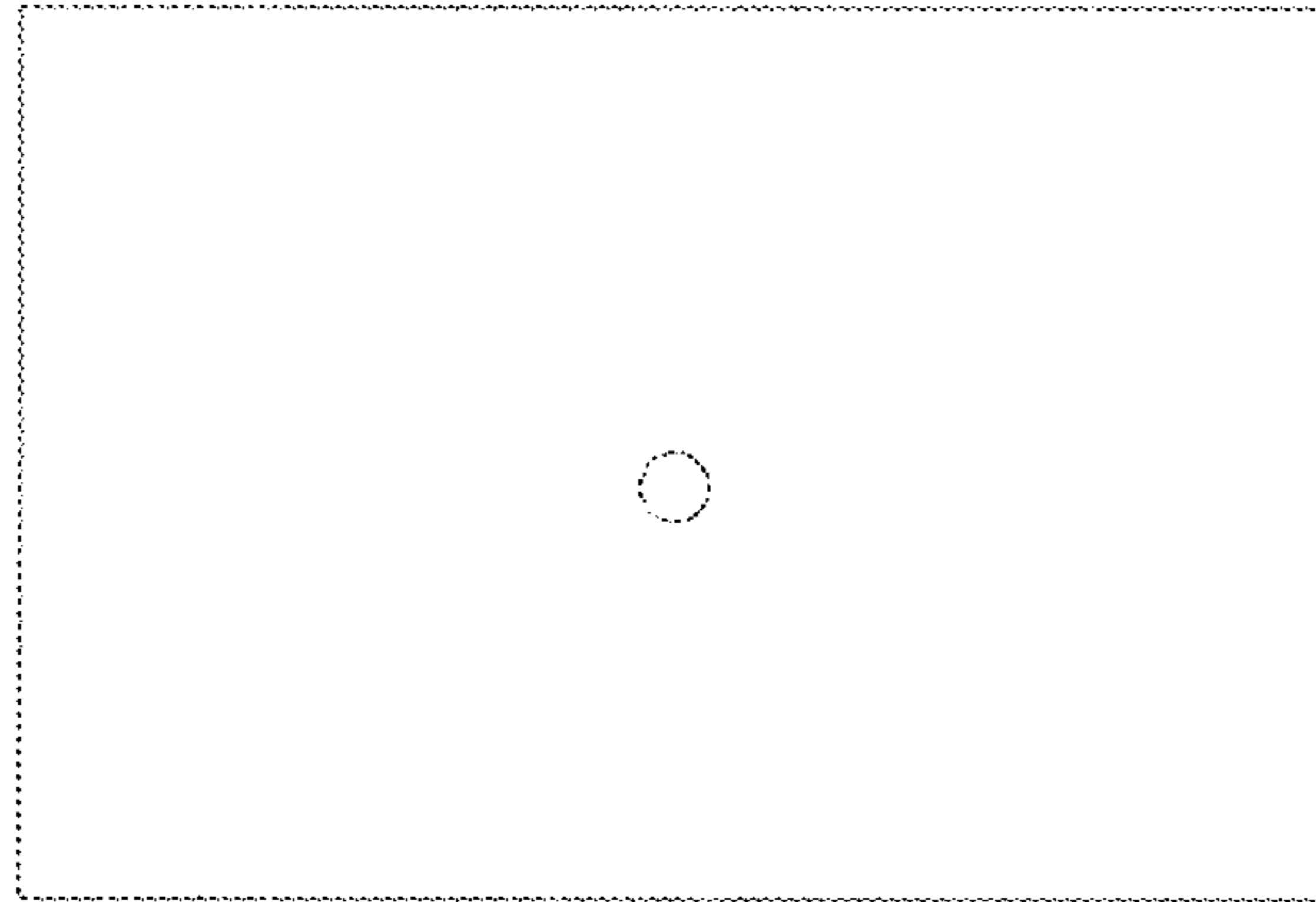


Fig 6

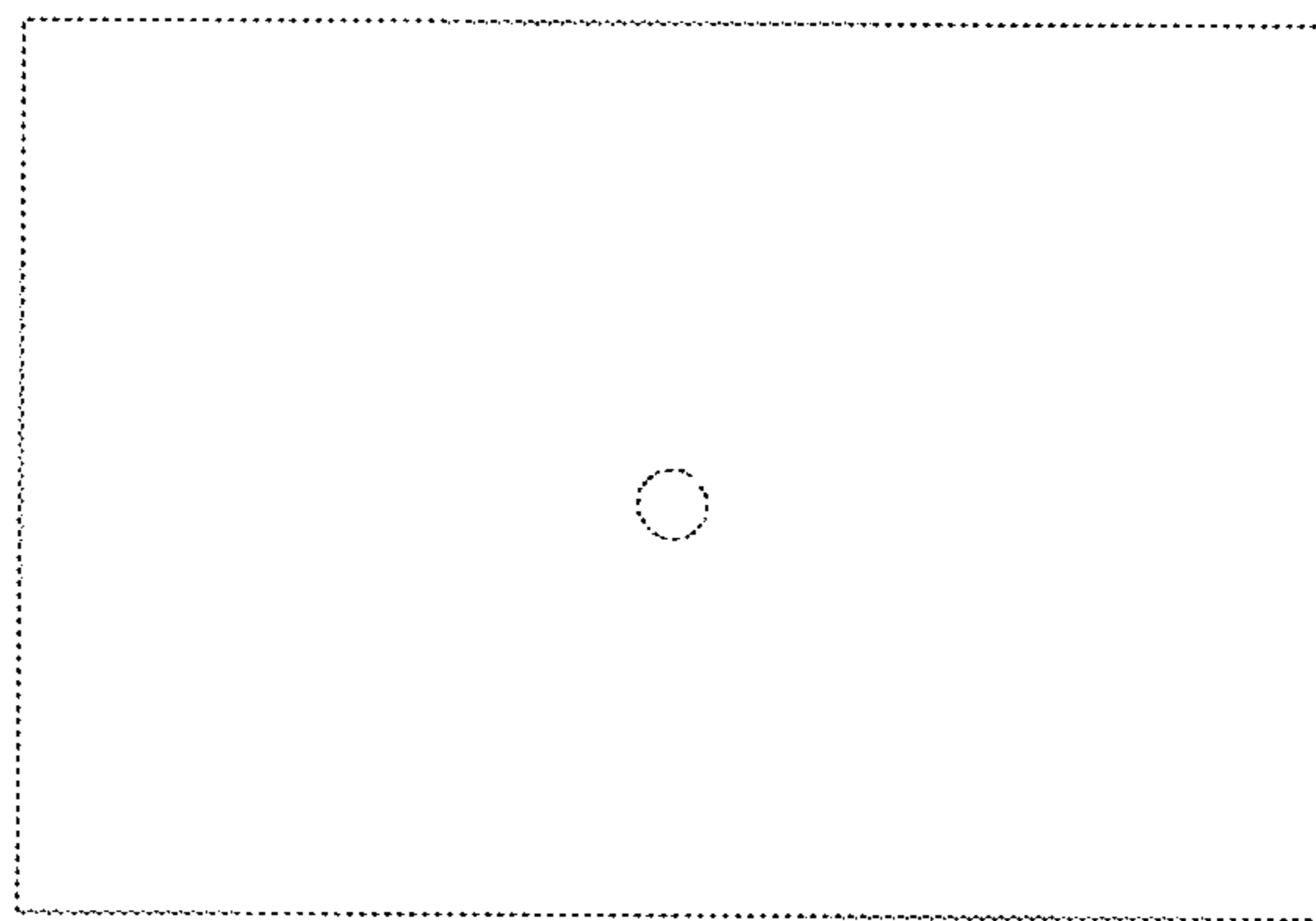


Fig. 7

