



US00D880760S

(12) **United States Design Patent**  
**Yi**

(10) **Patent No.:** **US D880,760 S**

(45) **Date of Patent:** **\*\* Apr. 7, 2020**

(54) **LAMP**

(71) Applicant: **Xiaoling Yi**, Shenzhen (CN)

(72) Inventor: **Xiaoling Yi**, Shenzhen (CN)

(\*\*) Term: **15 Years**

(21) Appl. No.: **29/714,536**

(22) Filed: **Nov. 24, 2019**

(51) **LOC (12) Cl.** ..... **26-03**

(52) **U.S. Cl.**  
USPC ..... **D26/106**

(58) **Field of Classification Search**

USPC ..... D26/24, 93, 95, 104, 106, 110, 112, 105

CPC .... F21S 6/00; F21S 6/002; F21S 6/004; F21S  
6/008; F21S 8/08; F21V 21/00; F21V  
21/02; F21W 2131/30

See application file for complete search history.

(56) **References Cited**

**U.S. PATENT DOCUMENTS**

D529,220 S	*	9/2006	Izardel	.....	D26/110
D629,150 S	*	12/2010	Douloubakas	.....	D26/93
D775,398 S	*	12/2016	Warden	.....	D26/106
D814,098 S	*	3/2018	Pina	.....	D26/106
D858,861 S	*	9/2019	Lin	.....	D26/108
D875,296 S	*	2/2020	Wen	.....	D26/110

**OTHER PUBLICATIONS**

“Bluetooth Speaker Lamp, Touch Sensor Night Light Bedside Table Lamp with Alarm Clock FM Radio,Dimmable Warm Light & 7 Color Changing Portable Camping Lantern,Gift for Girl Boy Women Men [Energy Class A+++]”, Retrieved Nov. 22, 2019]. Retrieved

from Internet, [https://www.amazon.co.uk/Bluetooth-Speaker-Dimmable-Changing-Portable/dp/B07YJMFWW3/ref=sr\\_1\\_154\\_sspa?keywords=lamp&qid=](https://www.amazon.co.uk/Bluetooth-Speaker-Dimmable-Changing-Portable/dp/B07YJMFWW3/ref=sr_1_154_sspa?keywords=lamp&qid=)

“Portable Bedside Night Light with Bluetooth Speaker, RAGZAN Color Touch Light, RGB Adjustable Night Light Table lamp Camping Light, Gift for Men, Women and Children”, Retrieved Nov. 22, 2019]. Retrieved from Internet, [https://www.amazon.co.uk/dp/B07Z1JFNKK/ref=sspa\\_dk\\_detail\\_7?psc=1&pd=](https://www.amazon.co.uk/dp/B07Z1JFNKK/ref=sspa_dk_detail_7?psc=1&pd=)

“MRCOOL Touch Bedside Lamp with Bluetooth Speaker, Dimmable Warm White Table Lamp RGB Colour Changing LED Speaker Mood Light, Best Present for Men Women Teens Children Kids Night Light”, Retrieved Nov. 22, 2019]. Retrieved from Internet, [https://www.amazon.co.uk/dp/B075RVY1K7/ref=sspa\\_dk\\_detail\\_11?psc=1&pd\\_rd\\_i=](https://www.amazon.co.uk/dp/B075RVY1K7/ref=sspa_dk_detail_11?psc=1&pd_rd_i=)

\* cited by examiner

*Primary Examiner* — Brian N. Vinson

(57) **CLAIM**

The ornamental design for a lamp, as shown and described.

**DESCRIPTION**

FIG. 1 is a perspective view of a lamp showing my new design;

FIG. 2 is another perspective view thereof;

FIG. 3 is a front elevational view thereof;

FIG. 4 is a rear elevational view thereof;

FIG. 5 is a left side elevational view thereof;

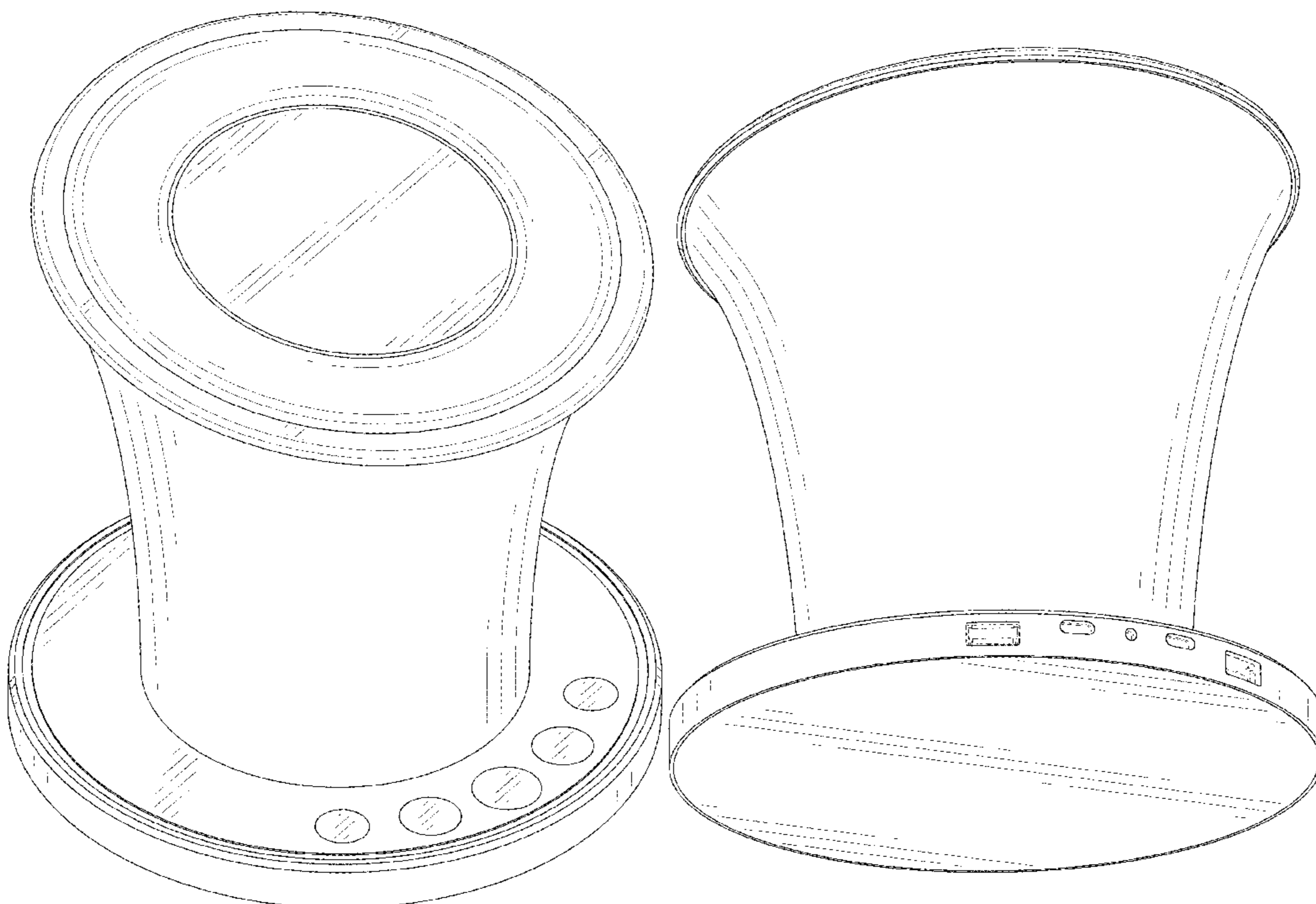
FIG. 6 is a right side elevational view thereof;

FIG. 7 is a top plan view thereof; and,

FIG. 8 is a bottom plan view thereof.

The broken lines in the drawings depict portions of the lamp that form no part of the claimed design.

**1 Claim, 8 Drawing Sheets**



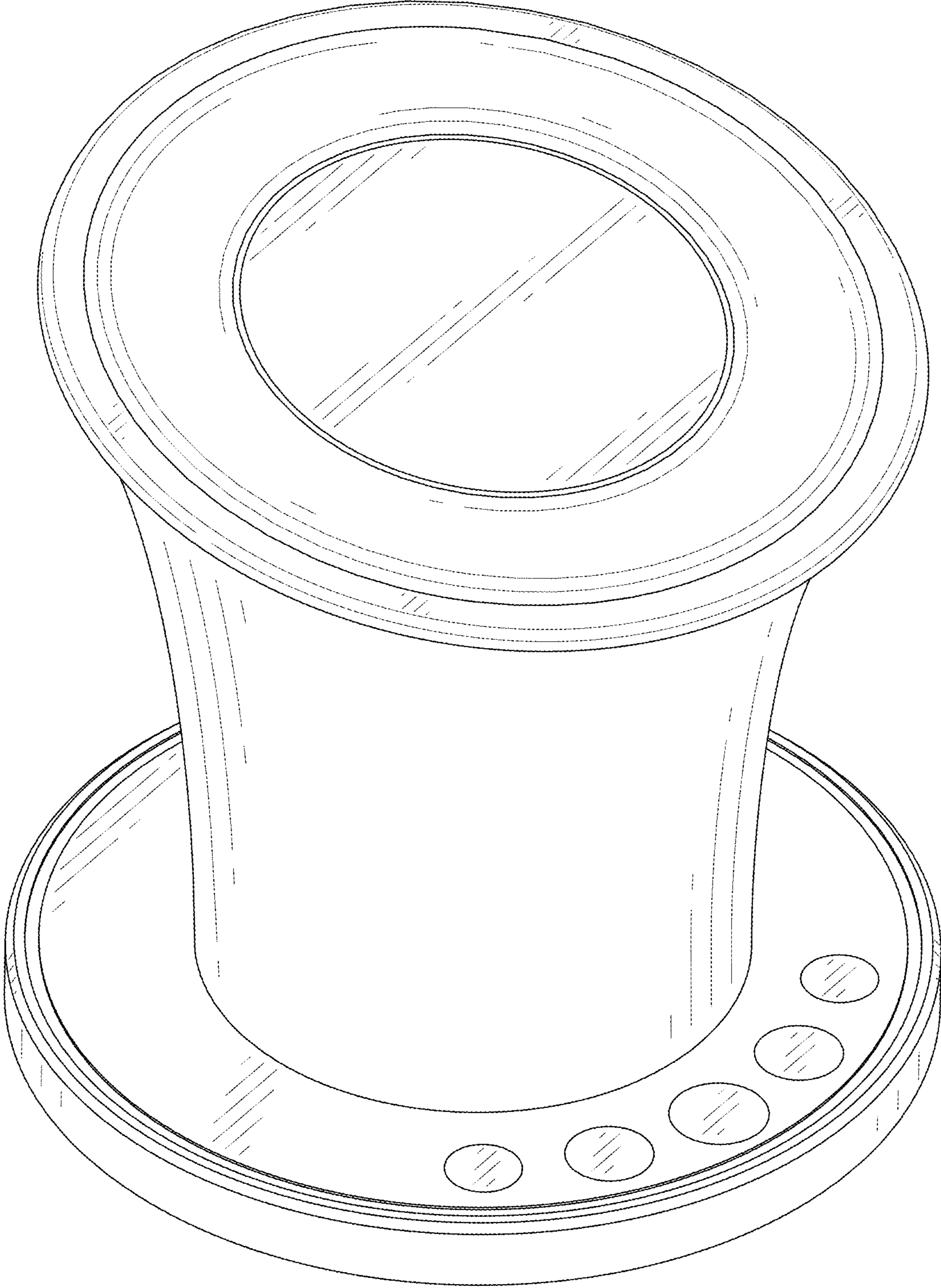


FIG. 1

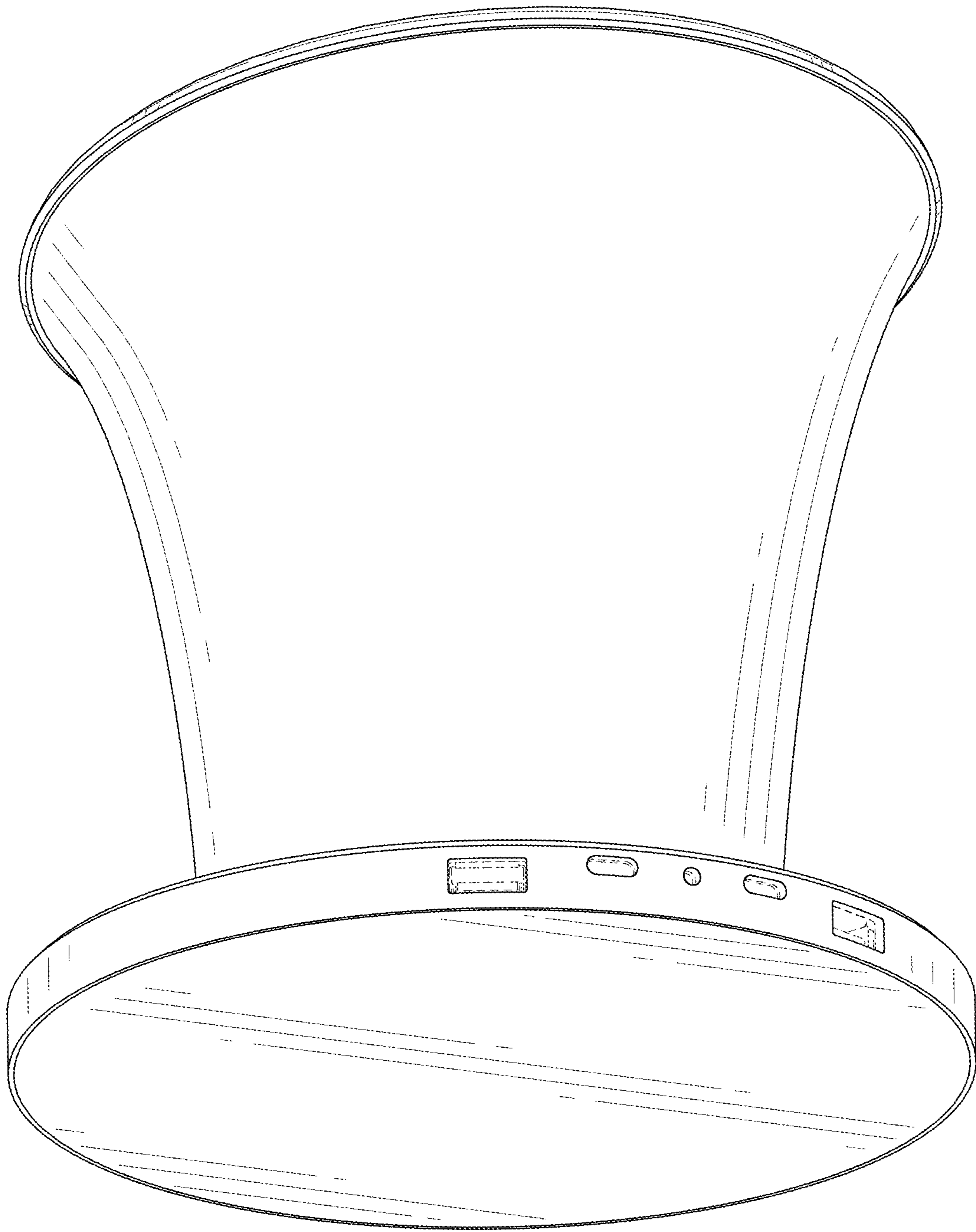


FIG. 2

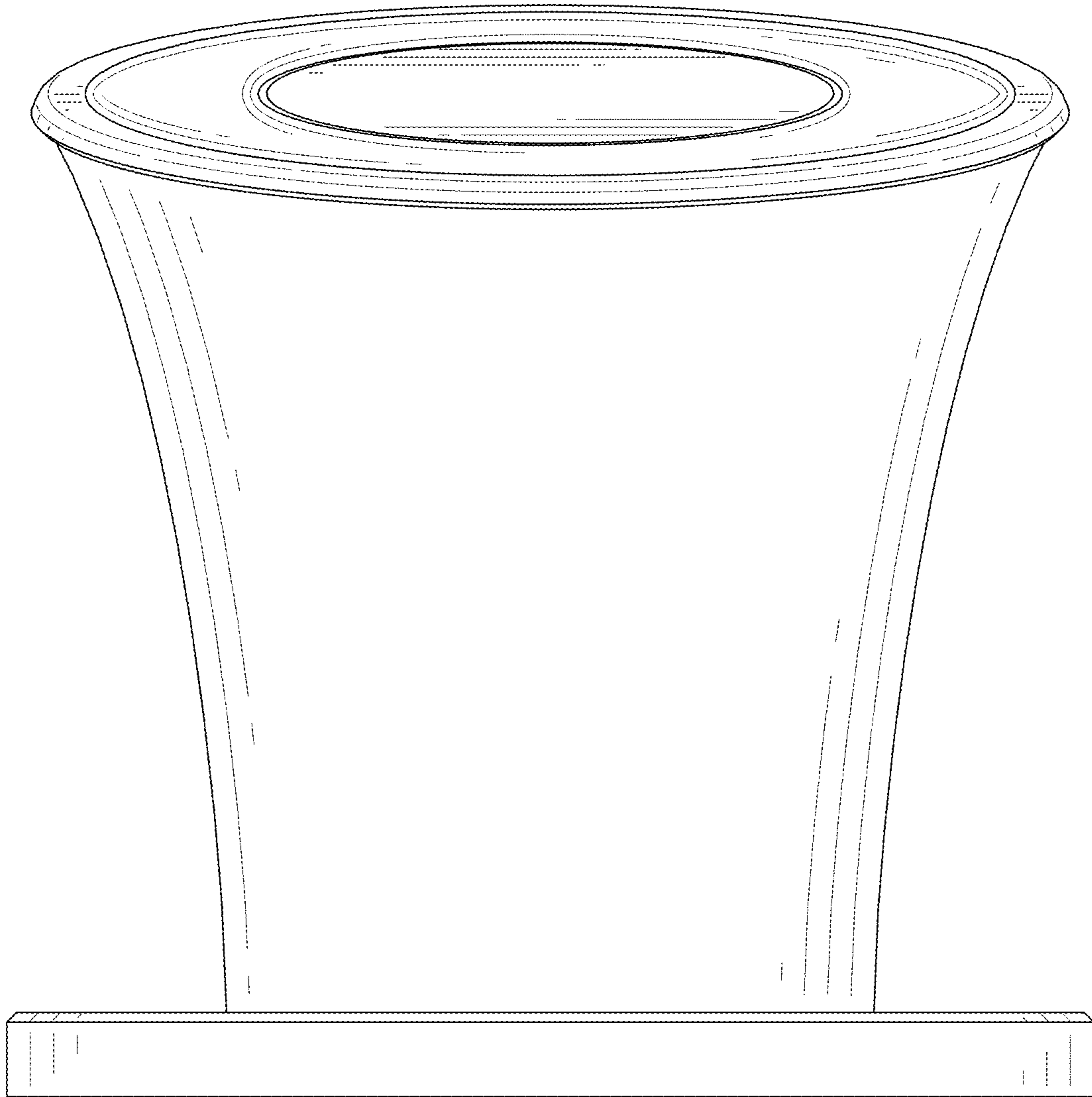


FIG. 3

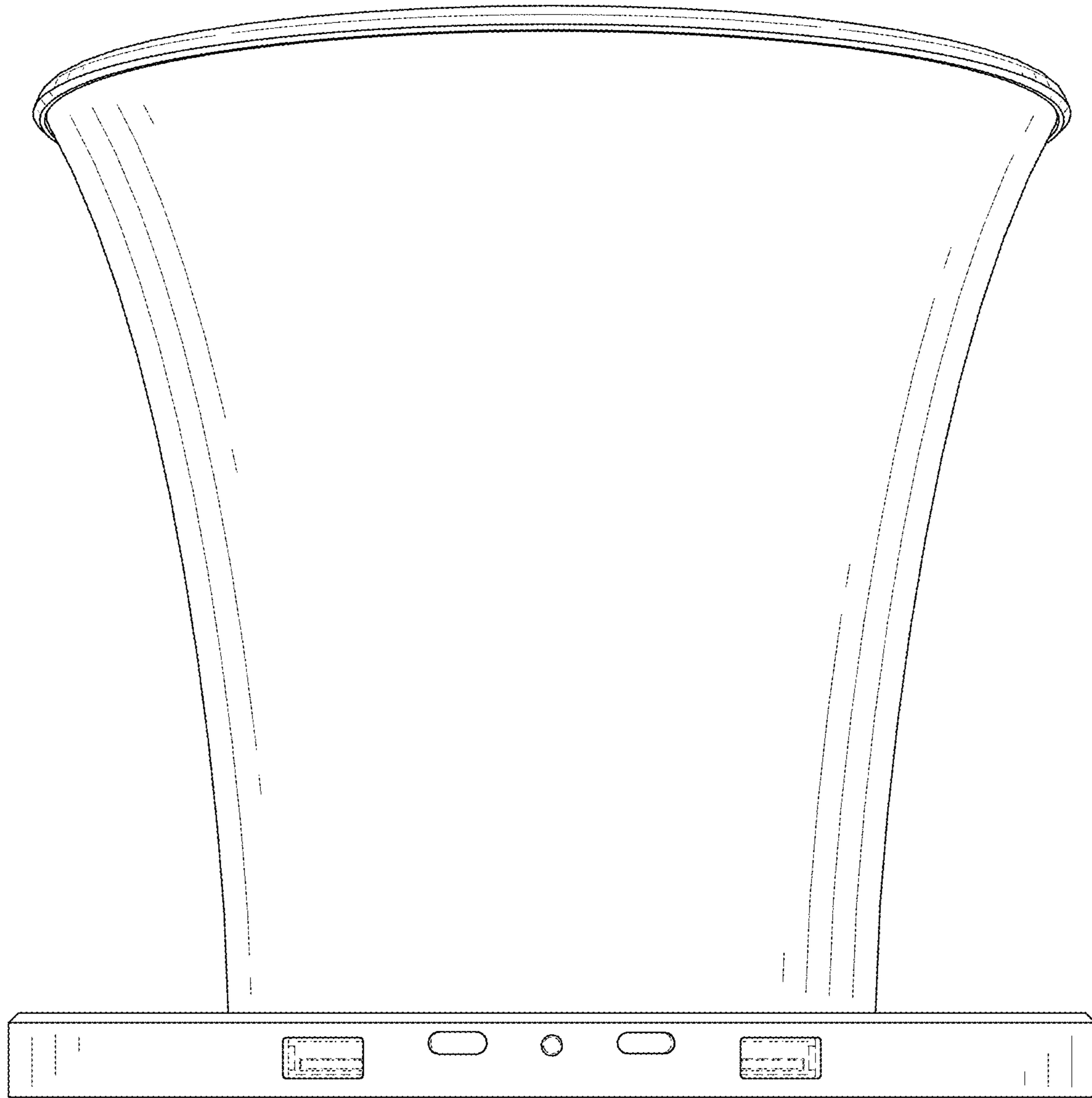


FIG. 4

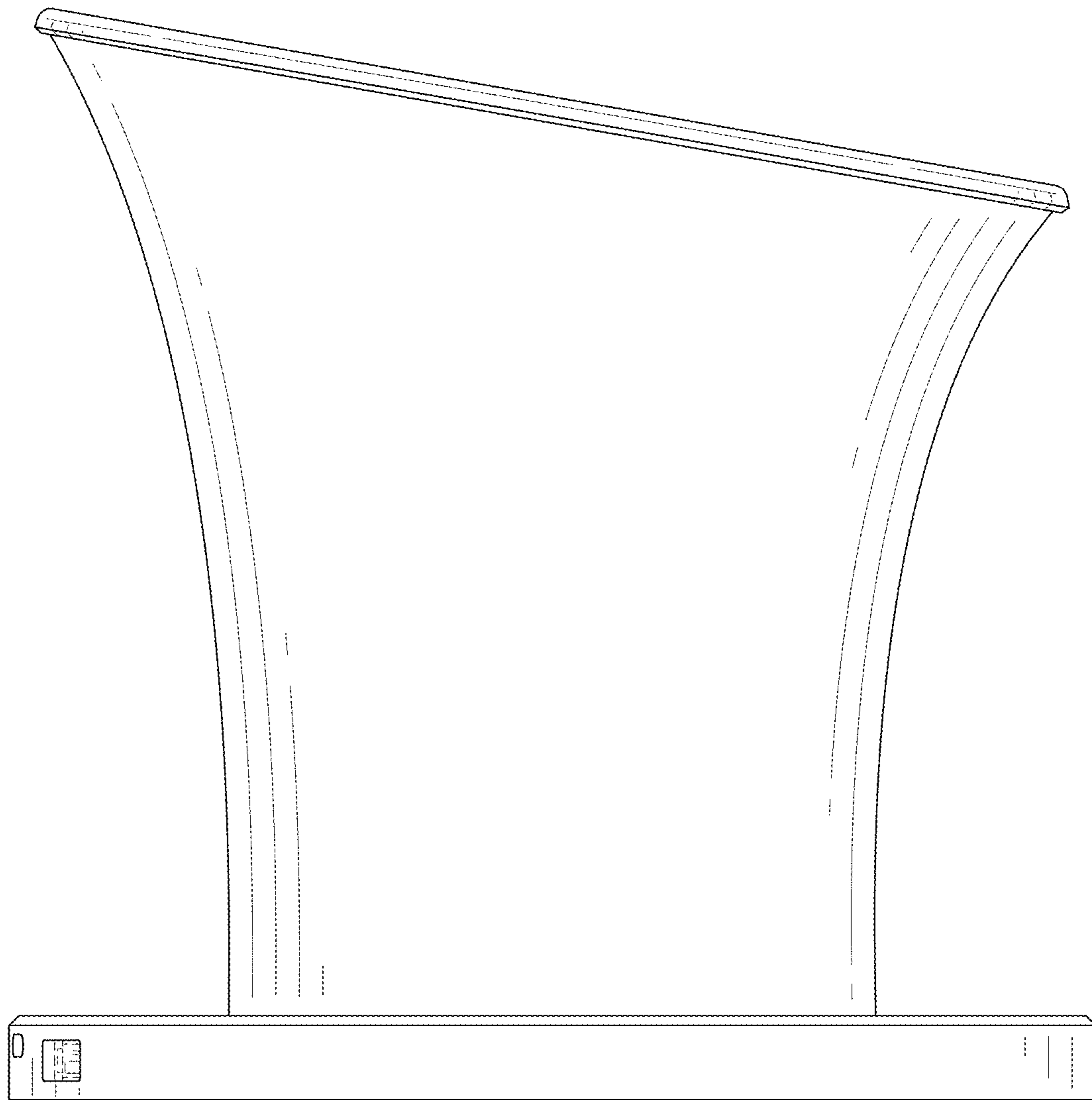


FIG. 5

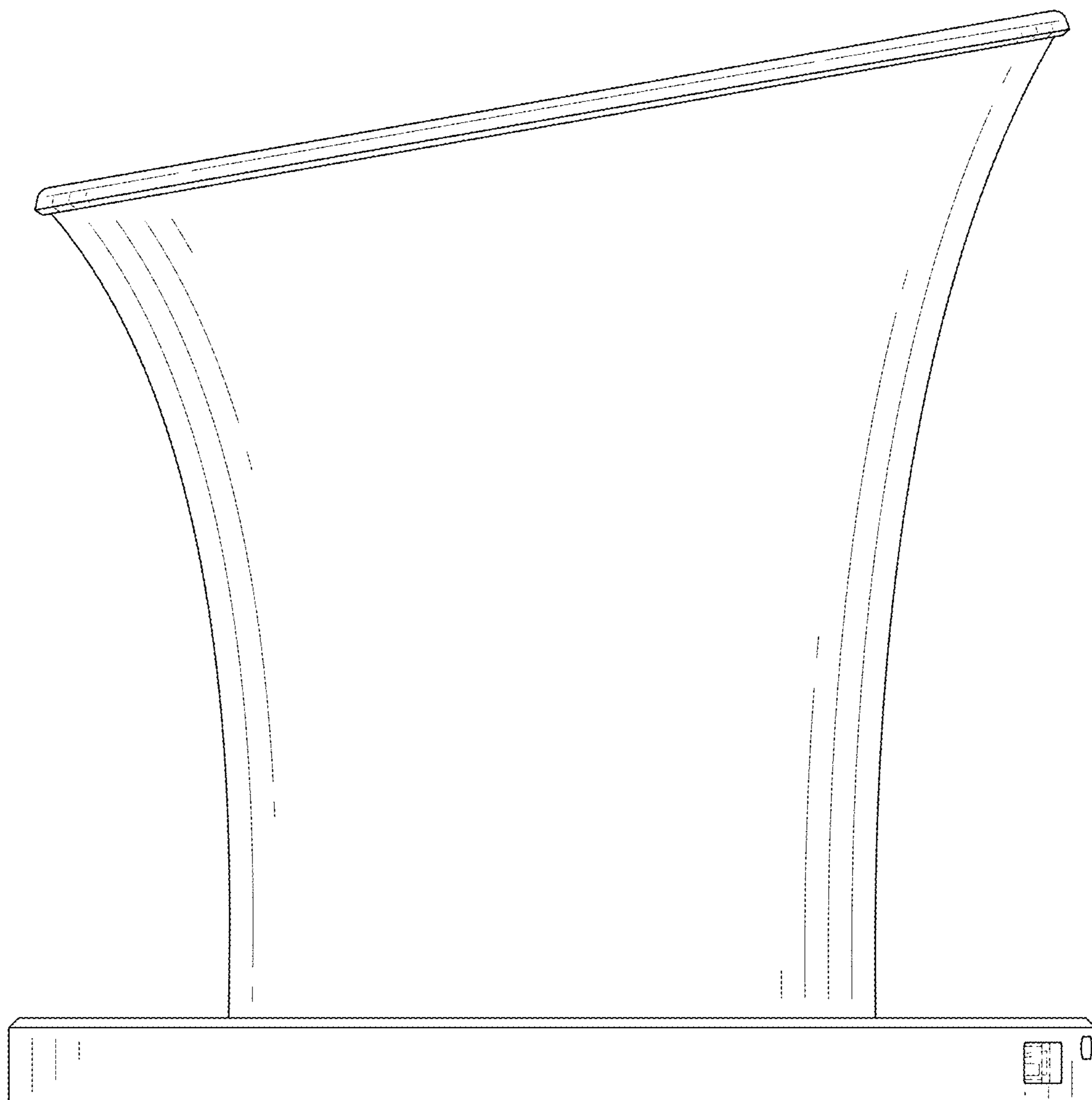


FIG. 6

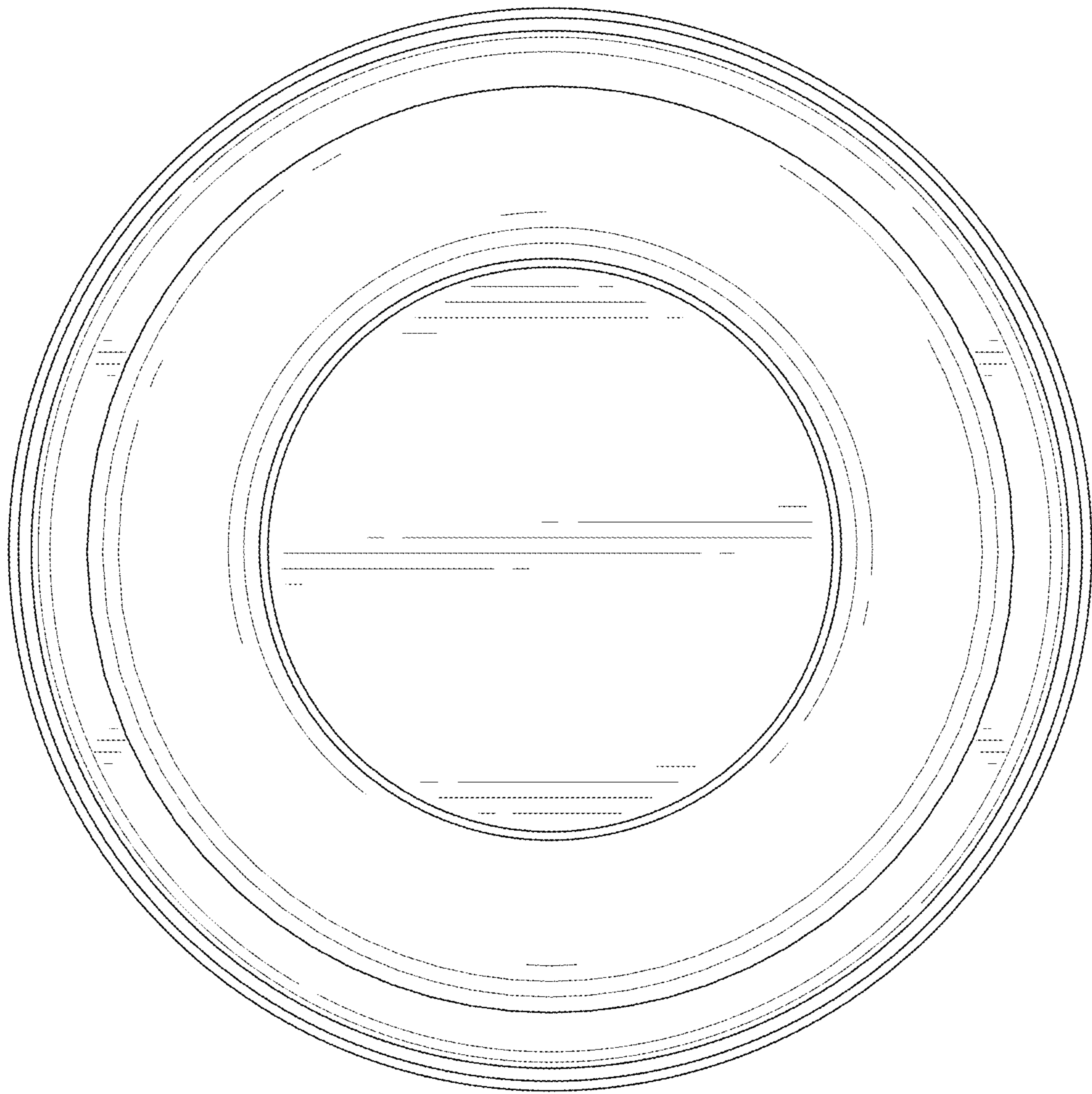


FIG. 7



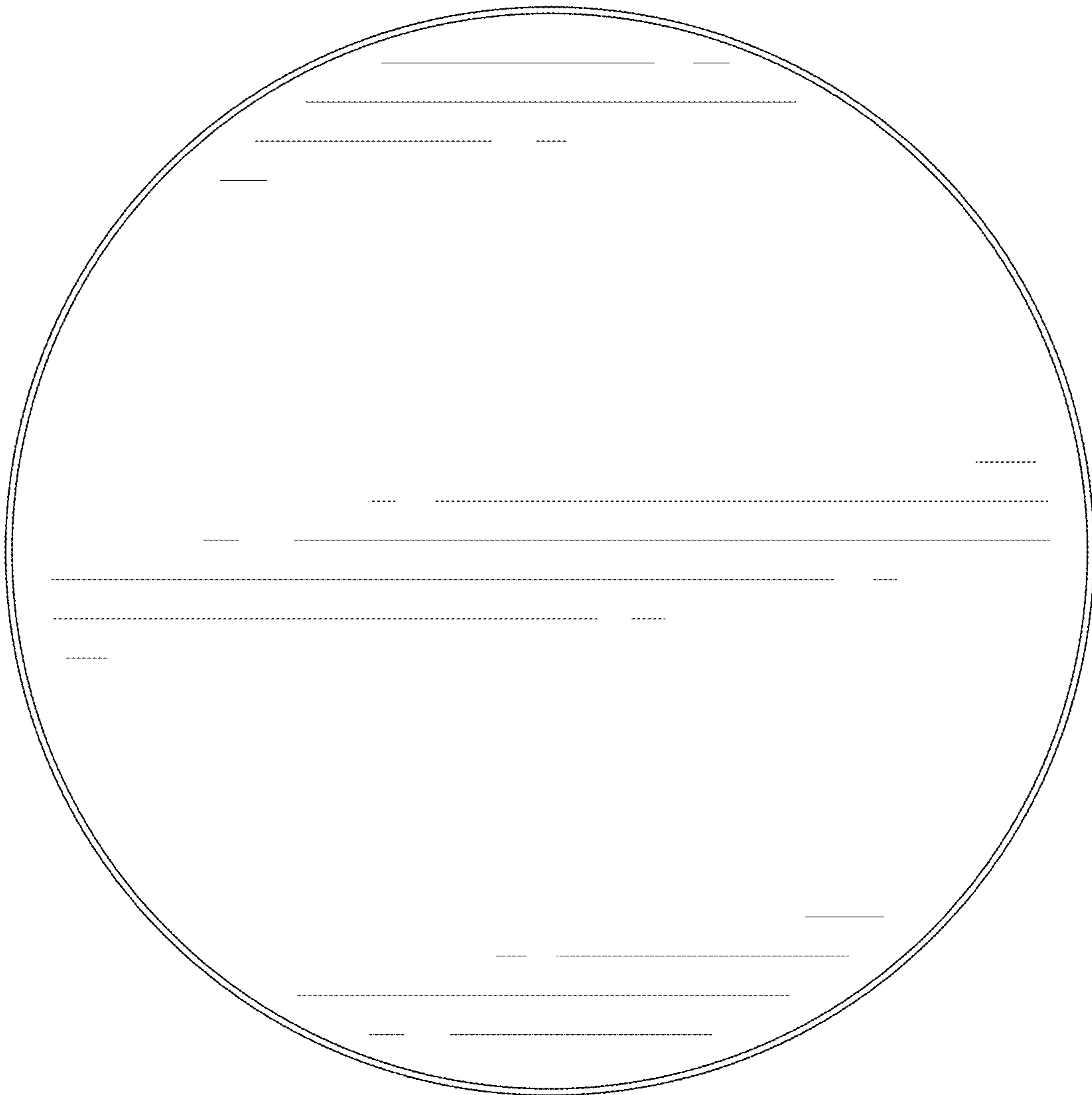


FIG. 8