



US00D880759S

(12) **United States Design Patent** (10) **Patent No.:** **US D880,759 S**  
**Smrstick** (45) **Date of Patent:** **\*\* Apr. 7, 2020**

(54) **TABLE LAMP**

(71) Applicant: **Blu Dot Design & Manufacturing, Inc.**, Minneapolis, MN (US)  
(72) Inventor: **Scott Smrstick**, Minneapolis, MN (US)  
(73) Assignee: **Blu Dot Design & Manufacturing, Inc.**, Minneapolis, MN (US)  
(\*\*) Term: **15 Years**  
(21) Appl. No.: **29/625,279**

(22) Filed: **Nov. 8, 2017**  
(51) **LOC (12) Cl.** ..... **26-03**  
(52) **U.S. Cl.**  
USPC ..... **D26/104**  
(58) **Field of Classification Search**  
USPC .... D26/1, 23, 24, 60-66, 93, 101, 104-110,  
D26/112, 113, 118, 120, 144, 154, 128,  
D26/131  
CPC .. F21S 6/002; F21S 6/003; F21S 6/004; F21S  
6/005; F21S 6/006; F21S 6/008; F21V  
21/02; F21V 21/08; F21W 2131/30  
See application file for complete search history.

(56) **References Cited**

**U.S. PATENT DOCUMENTS**

2,631,409 A \* 3/1953 Windiate ..... A47G 7/006  
362/122  
D280,850 S \* 10/1985 Merino ..... D26/102  
D397,208 S \* 8/1998 McCall ..... D26/104  
D488,253 S \* 4/2004 Chen ..... D26/128  
D606,235 S \* 12/2009 Mama ..... D26/93  
D720,492 S \* 12/2014 Gatchel ..... D26/104  
D796,725 S \* 9/2017 Recker ..... D26/104  
D819,872 S \* 6/2018 Zhou ..... D26/104

**OTHER PUBLICATIONS**

Blu Dot Catalog No. 16, Designed in Minneapolis, Minnesota, published 2015, pp. 1, 5, 7, 8, 13, 14, 18, 21-26, 33, 36, 37, 39.  
Blu Dot Catalog No. 17, Designed in Minneapolis, Minnesota, published 2015, pp. 4, 6, 14, 16, 19, 23-26, 29, 31, 34, 36, 38, 39, 49, 51.  
Blu Dot Catalog No. 18, Designed in Minneapolis, Minnesota, published 2016, pp. 11, 14, 17, 21, 23, 26, 31, 32, 35, 36, 38, 39, 51.  
Blu Dot Catalog No. 19, Designed in Minneapolis, Minnesota, published 2016, pp. 28, 38, 42, 47, 52.

\* cited by examiner

*Primary Examiner* — Brian N. Vinson

(74) *Attorney, Agent, or Firm* — Fredrikson & Byron, P.A.

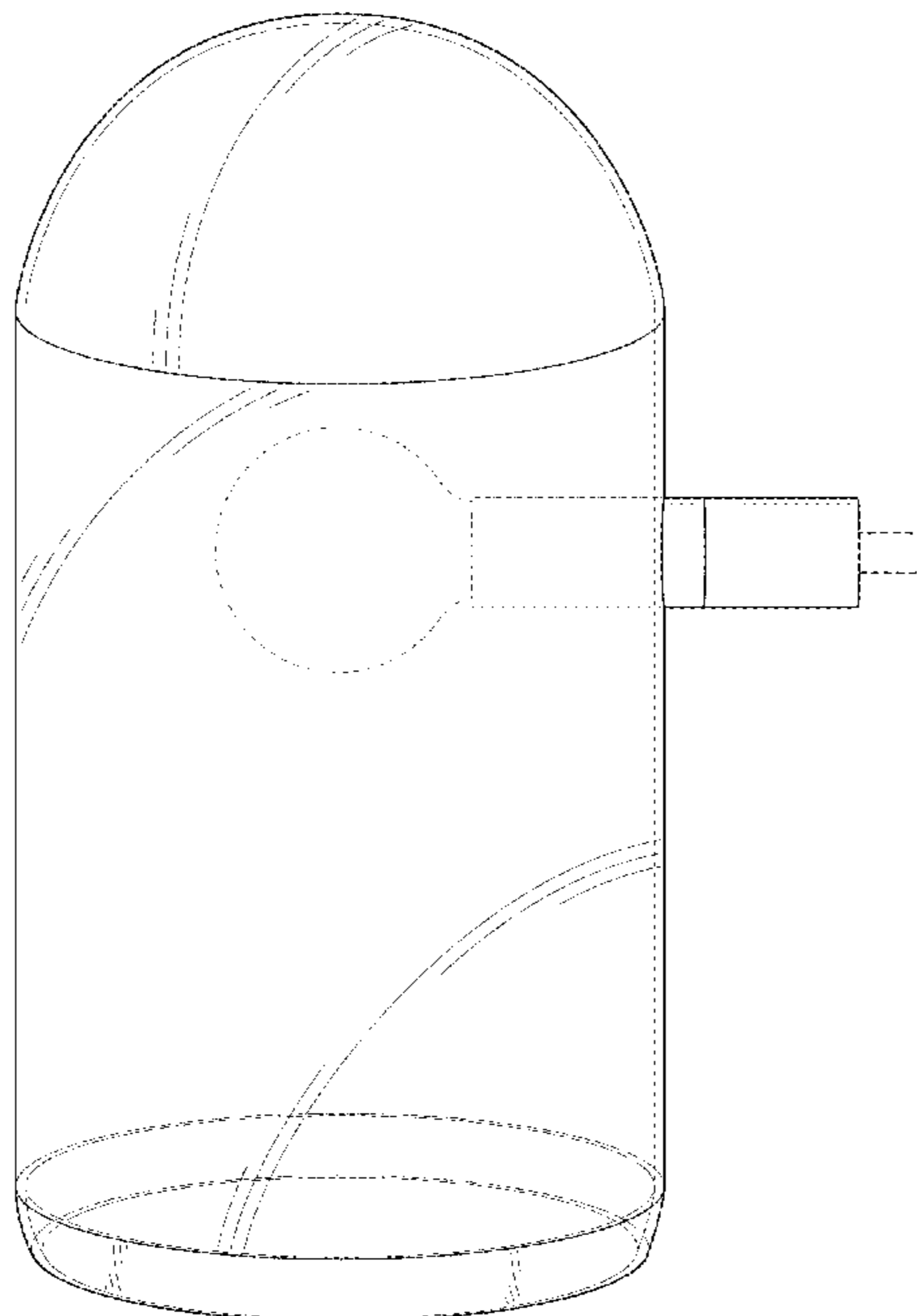
(57) **CLAIM**

I claim the ornamental design for a table lamp, as shown and described.

**DESCRIPTION**

FIG. 1 is a side upper perspective view of a table lamp of Applicant's design;  
FIG. 2 is a front elevational view thereof;  
FIG. 3 is a rear elevational view thereof;  
FIG. 4 is a first side elevational view thereof, the side elevational view opposite the first side elevational view being a mirror image thereof;  
FIG. 5 is a top plan view thereof; and,  
FIG. 6 is a bottom plan view thereof.  
The broken line disclosure represents portions of the lamp which form no part of the claimed design.

**1 Claim, 6 Drawing Sheets**



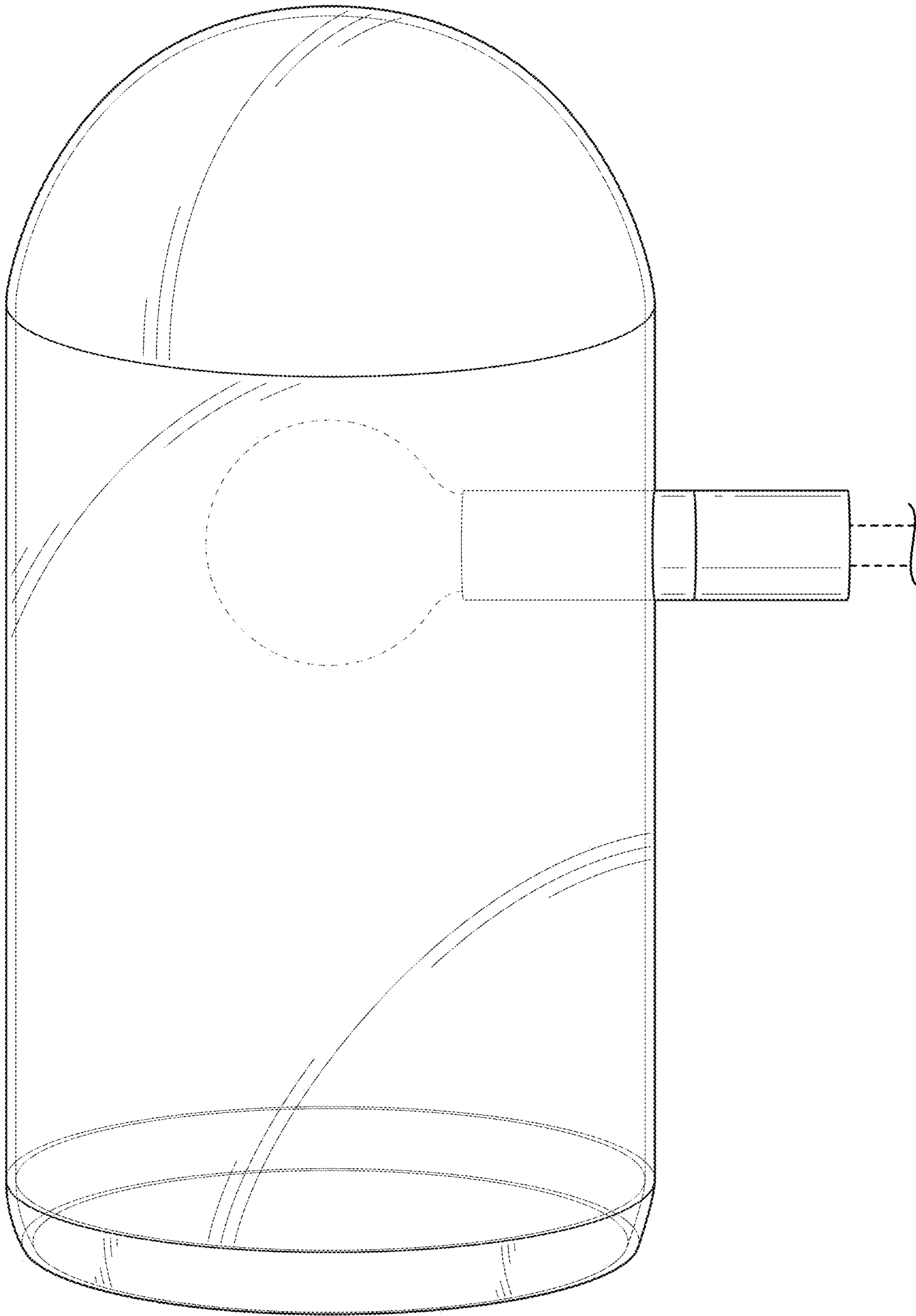


FIG. 1

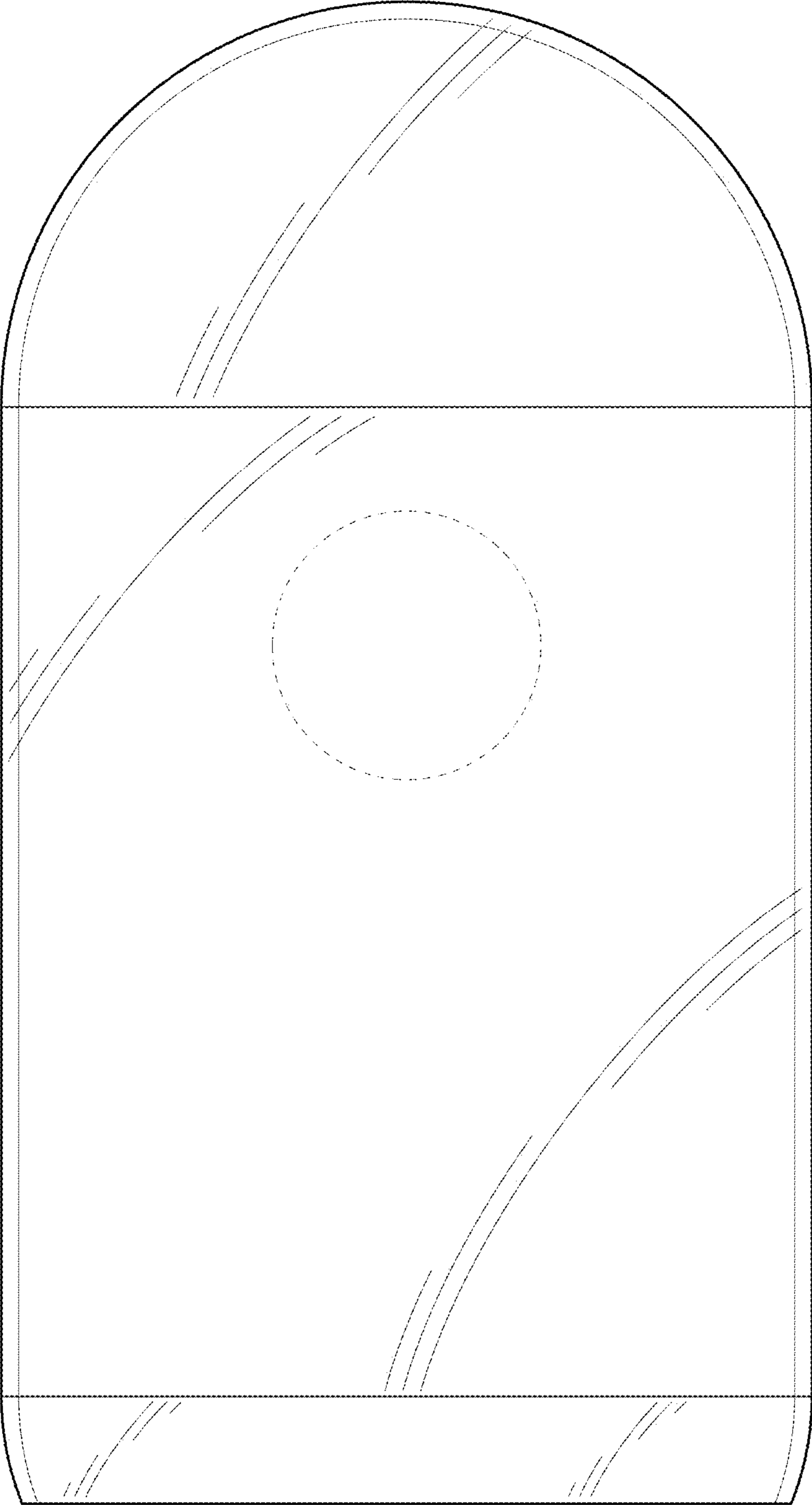


FIG. 2

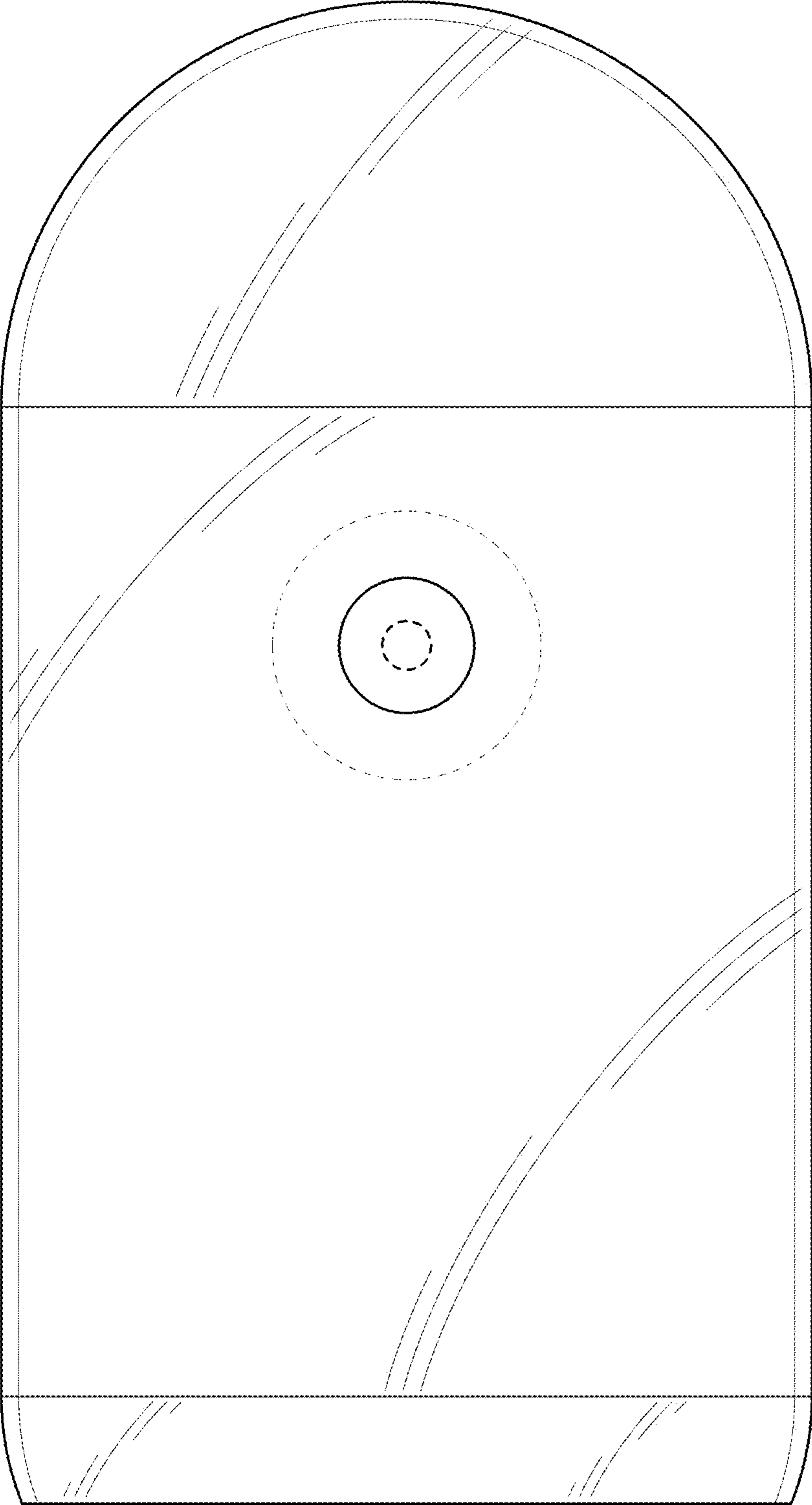


FIG. 3

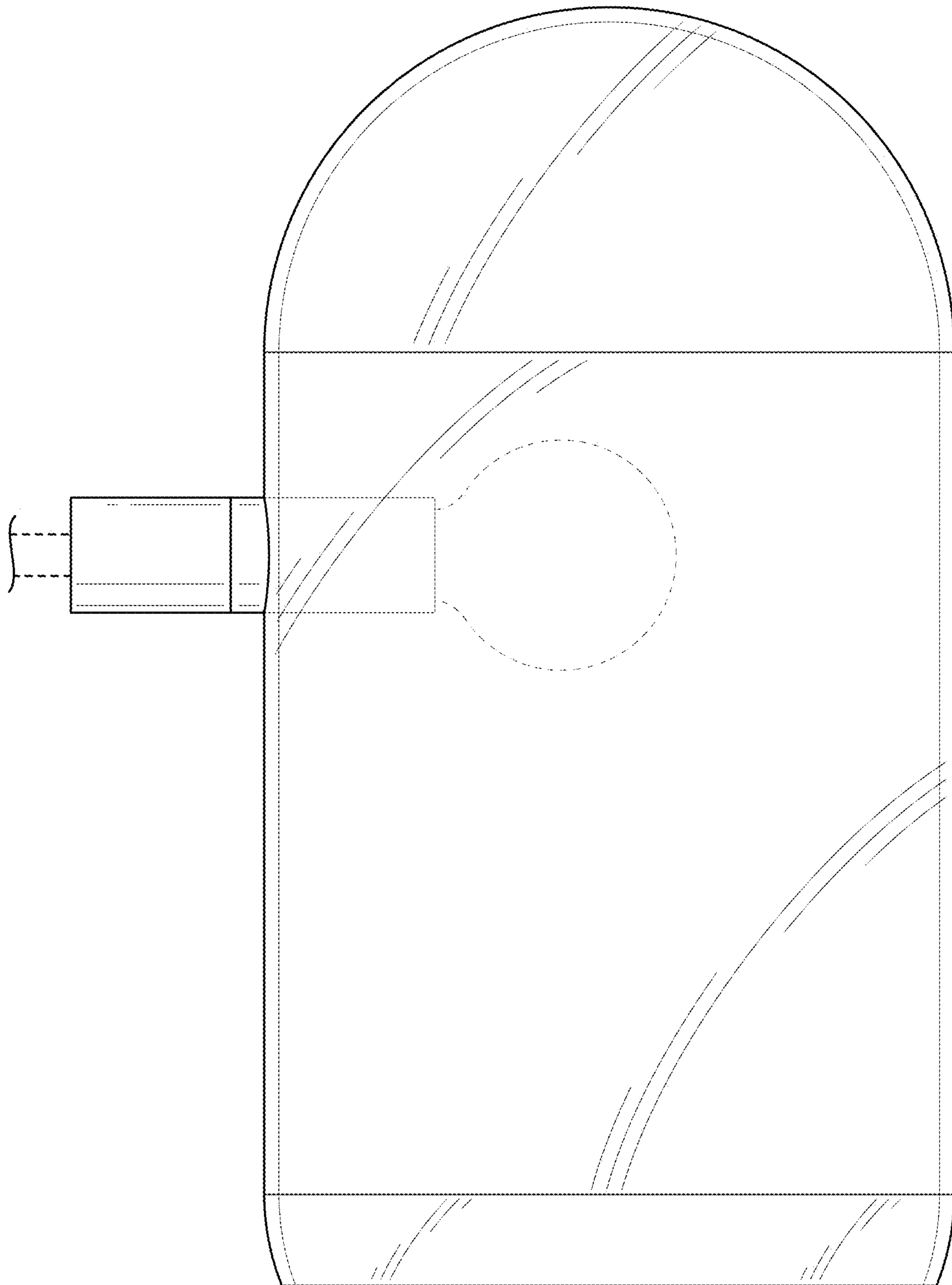


FIG. 4

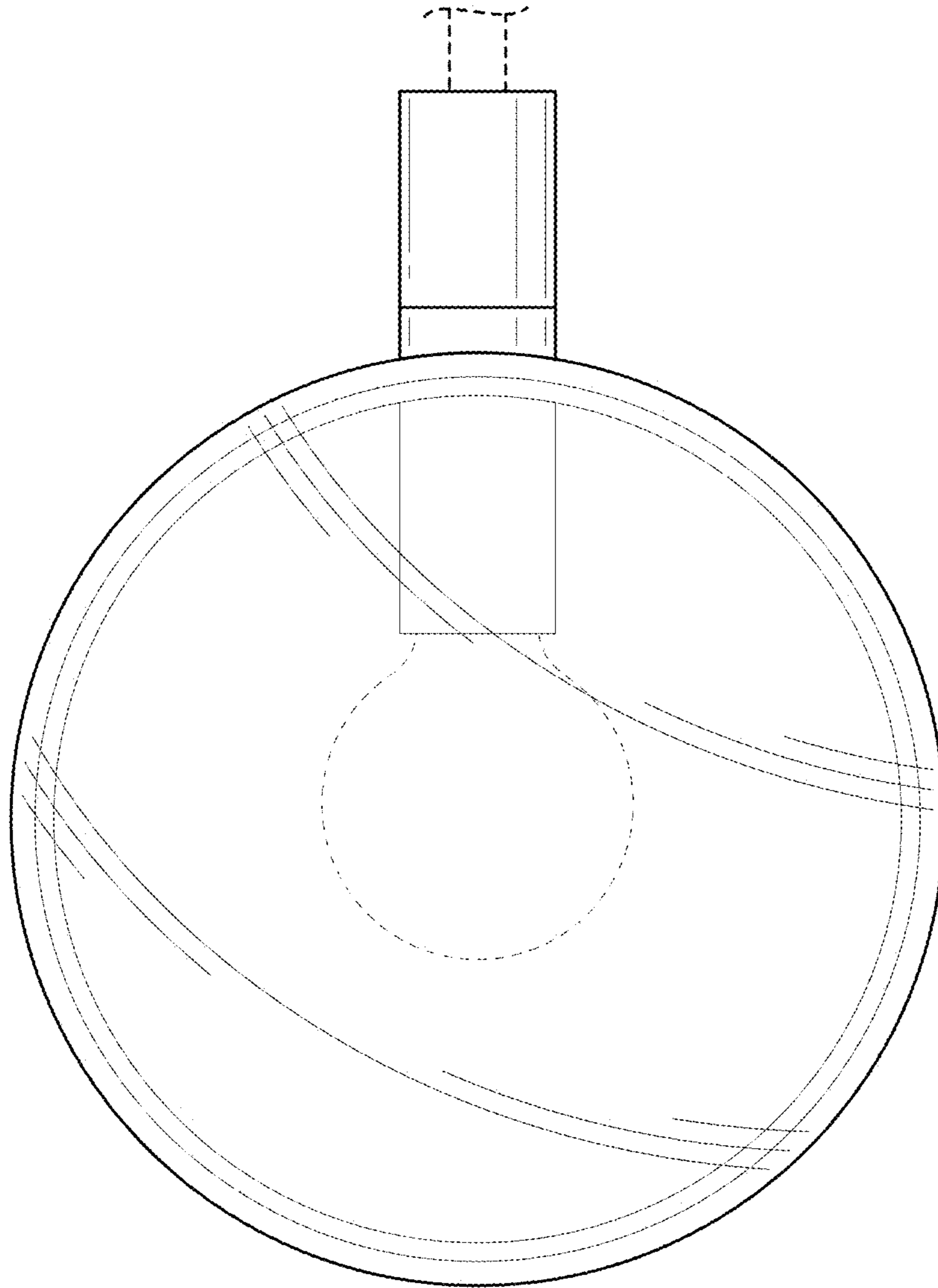


FIG. 5

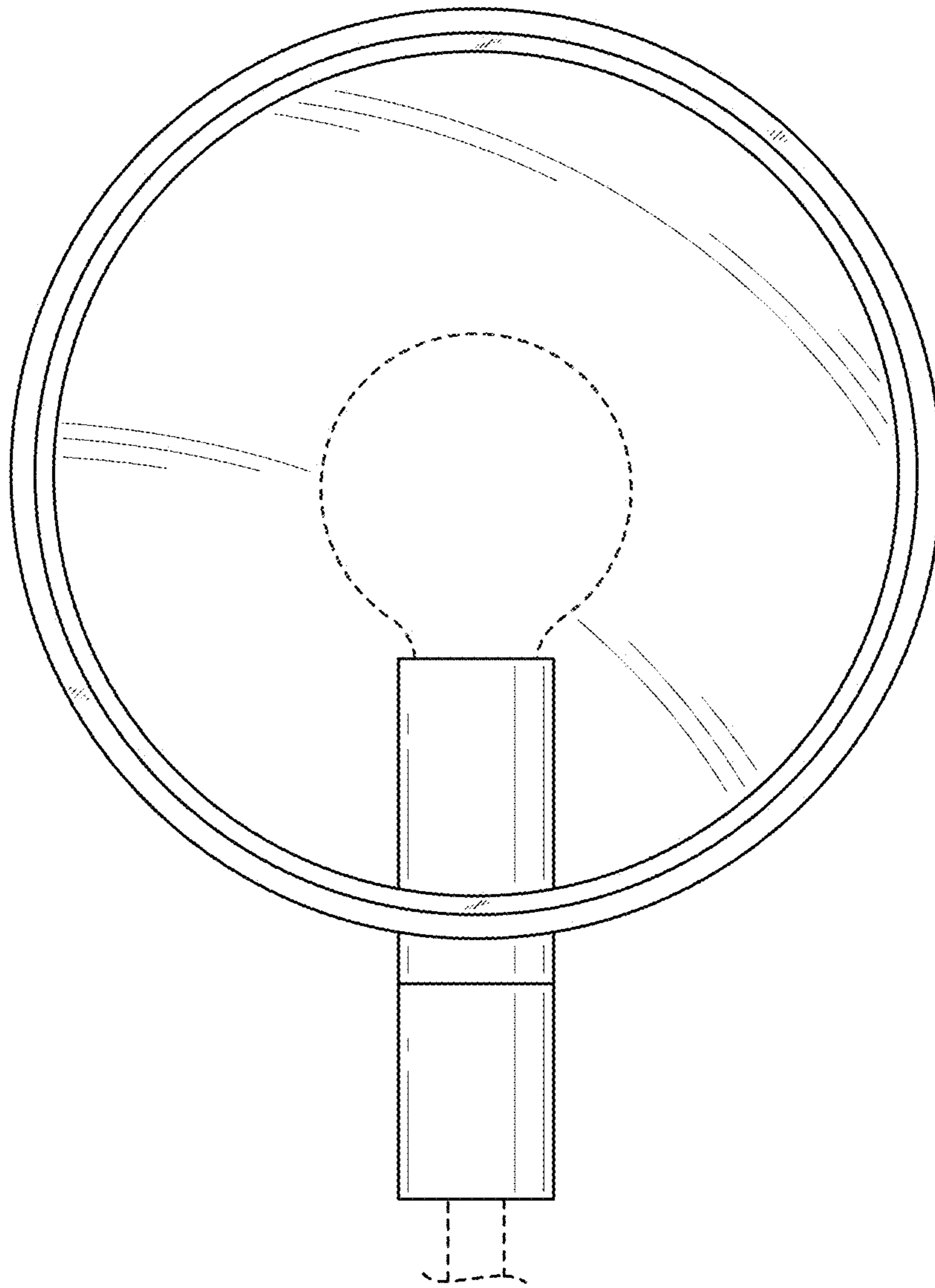


FIG. 6