



US00D880756S

(12) **United States Design Patent**
Cornelissen

(10) **Patent No.:** **US D880,756 S**

(45) **Date of Patent:** **** Apr. 7, 2020**

(54) **LUMINAIRE**

(71) Applicant: **Beta-Calco Inc.**, Toronto (CA)

(72) Inventor: **Serge C. R. H. Cornelissen**,
Kortrijk-Marke (BE)

(73) Assignee: **Beta-Calco Inc.**, Toronto (CA)

(**) Term: **15 Years**

(21) Appl. No.: **29/668,544**

(22) Filed: **Oct. 31, 2018**

(51) **LOC (12) Cl.** **26-03**

(52) **U.S. Cl.**
USPC **D26/88**

(58) **Field of Classification Search**
USPC D26/72, 81-86, 88-91
CPC F21S 8/04; F21S 8/043; F21S 8/046; F21S
8/06; F21S 8/061; F21S 8/063; F21S
8/065; G02B 6/0073

See application file for complete search history.

(56) **References Cited**

U.S. PATENT DOCUMENTS

D129,362 S *	9/1941	Pieper	D26/88
D459,525 S *	6/2002	Barry	D26/73
D469,562 S *	1/2003	Crasset	D26/90
D547,483 S *	7/2007	Pickett	D26/59
D556,361 S *	11/2007	Arbel	D26/88
D671,676 S *	11/2012	Komarov	D26/88
D683,884 S *	6/2013	Kim	D26/84
D686,771 S *	7/2013	Lastimoso	D26/88
D806,928 S *	1/2018	Amato	D26/88
D807,562 S *	1/2018	Amato	D26/88

D851,322 S *	6/2019	Anastassiades	D26/91
2015/0300605 A1 *	10/2015	Clark	F21V 1/22 362/367
2019/0339443 A1 *	11/2019	Ross	G02B 6/0011

OTHER PUBLICATIONS

Dimple LED Pendant by ET2 Lighting, from lumens.com visited Nov. 25, 2019. (Year: 2019).*

Grand Drum pendant from the Series: S2815 collection. From ScottArchLighting.com visited Nov. 25, 2019. (Year: 2019).*

* cited by examiner

Primary Examiner — Clare E Heflin

(74) *Attorney, Agent, or Firm* — Renner, Otto, Boisselle & Sklar, LLP

(57) **CLAIM**

The ornamental design for a luminaire, as shown and described.

DESCRIPTION

FIG. 1 is a perspective view of a luminaire showing the design;

FIG. 2 is a front view thereof;

FIG. 3 is a rear view thereof;

FIG. 4 is a right side view thereof;

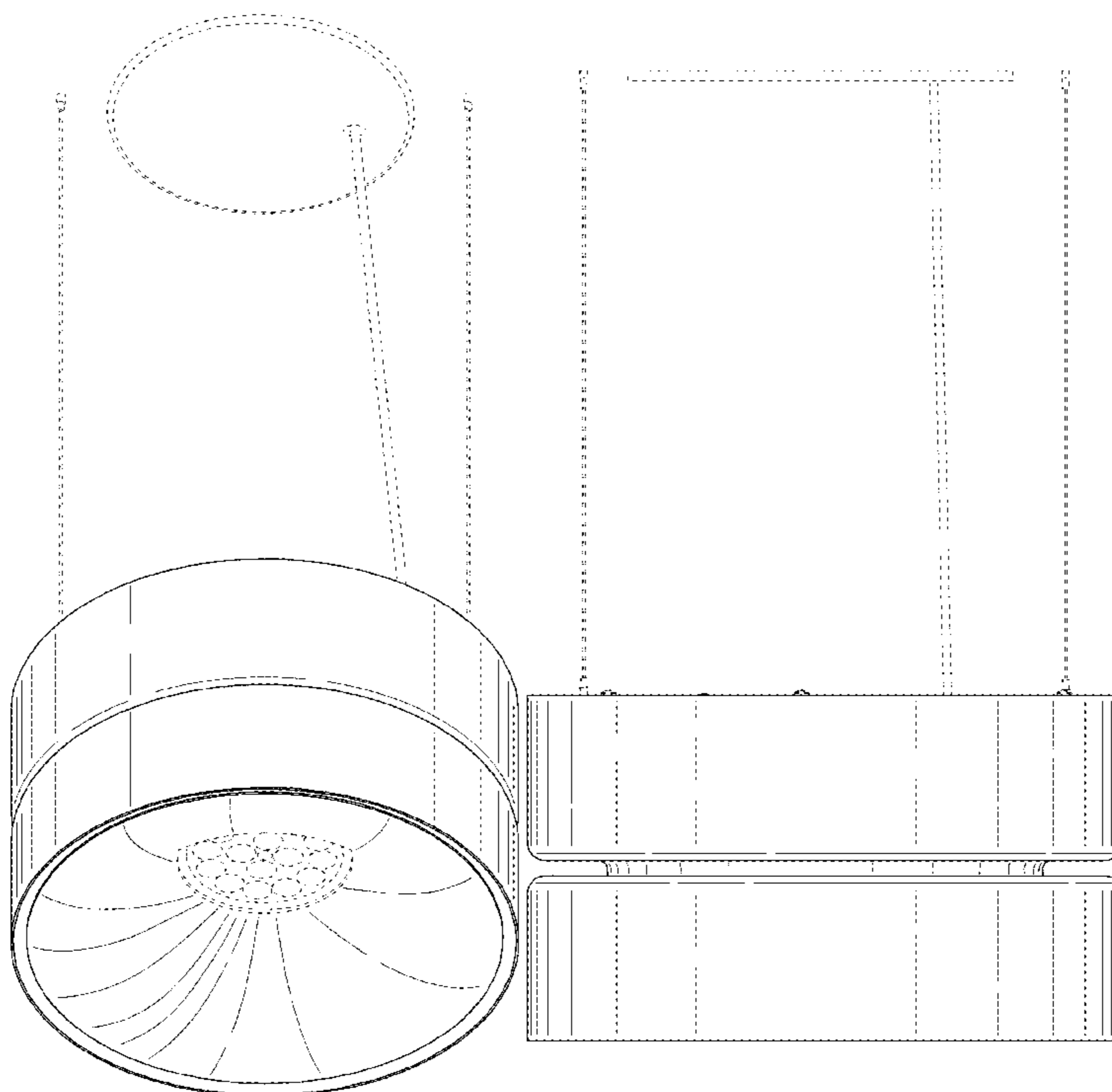
FIG. 5 is a left side view thereof;

FIG. 6 is a top view thereof; and,

FIG. 7 is a bottom view thereof.

The portions of the luminaire shown in broken lines form no part of the design.

1 Claim, 7 Drawing Sheets



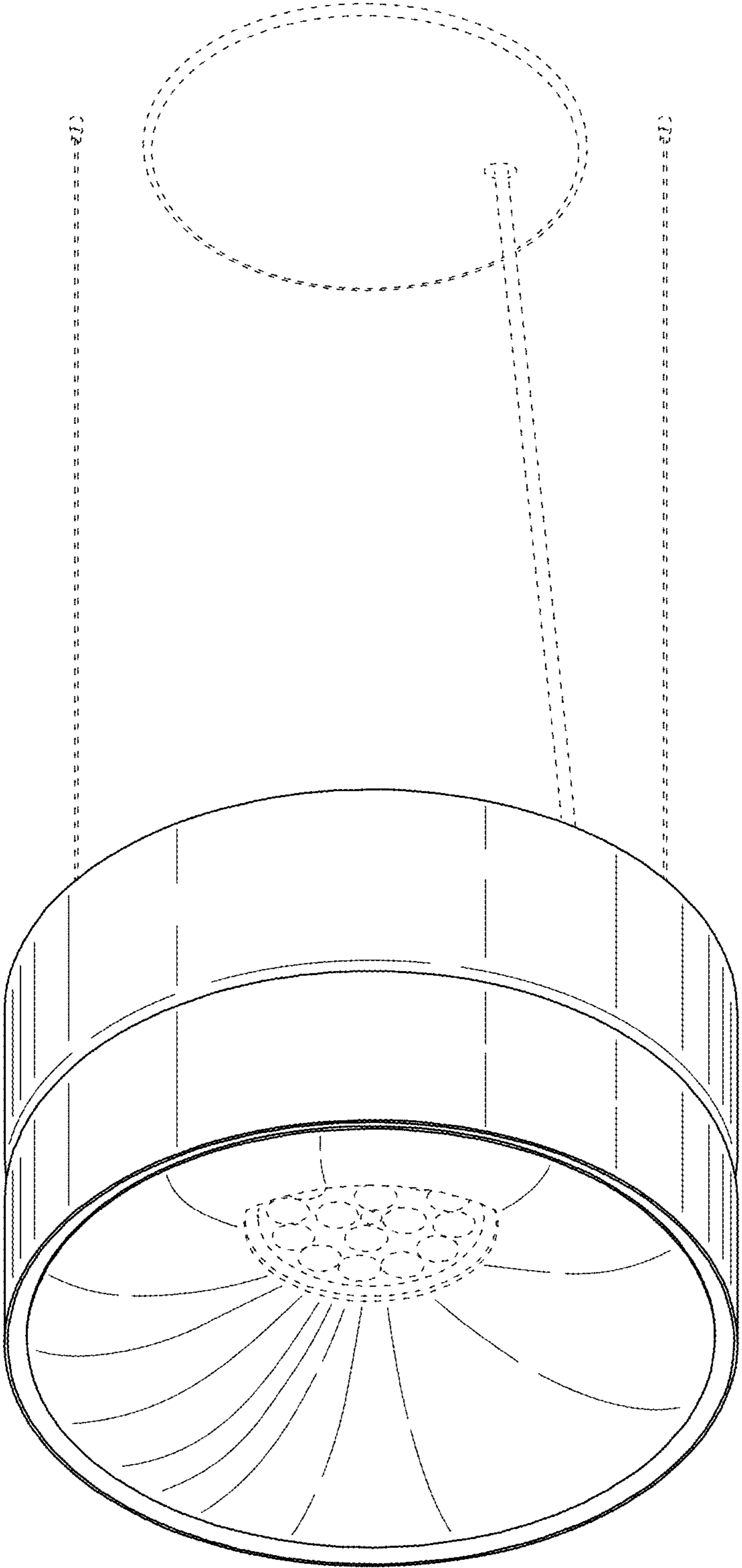


FIG. 1

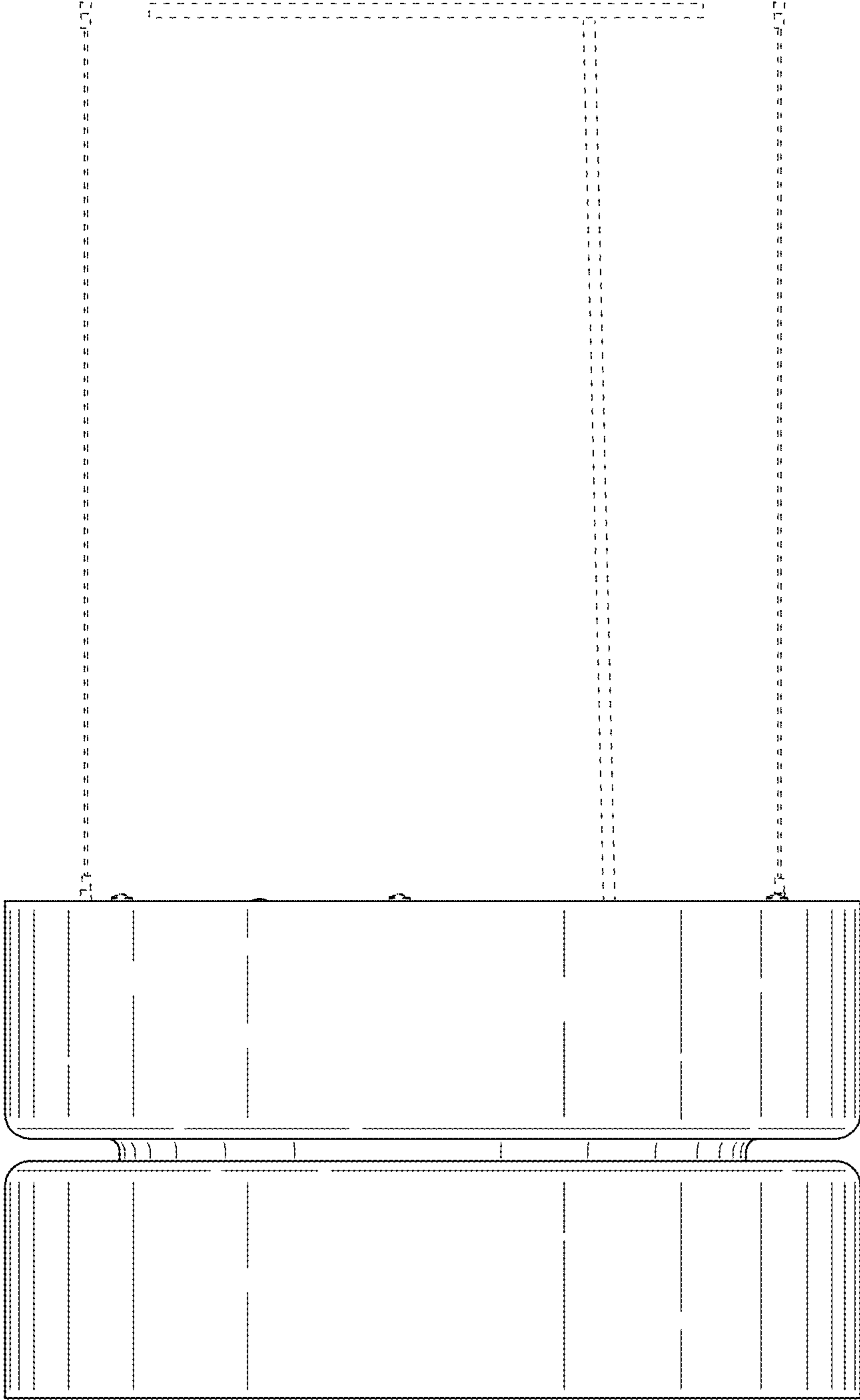


FIG. 2

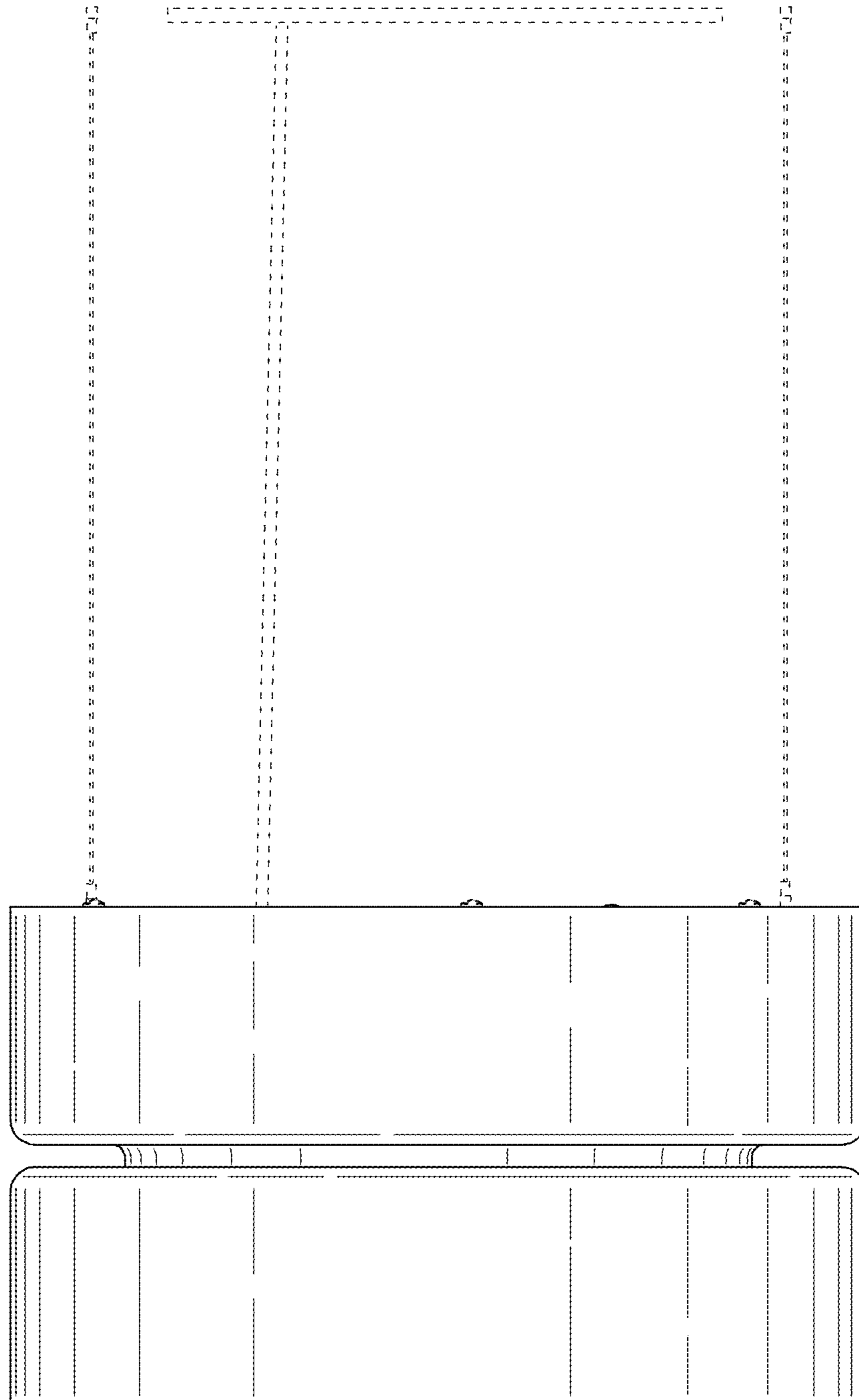


FIG. 3

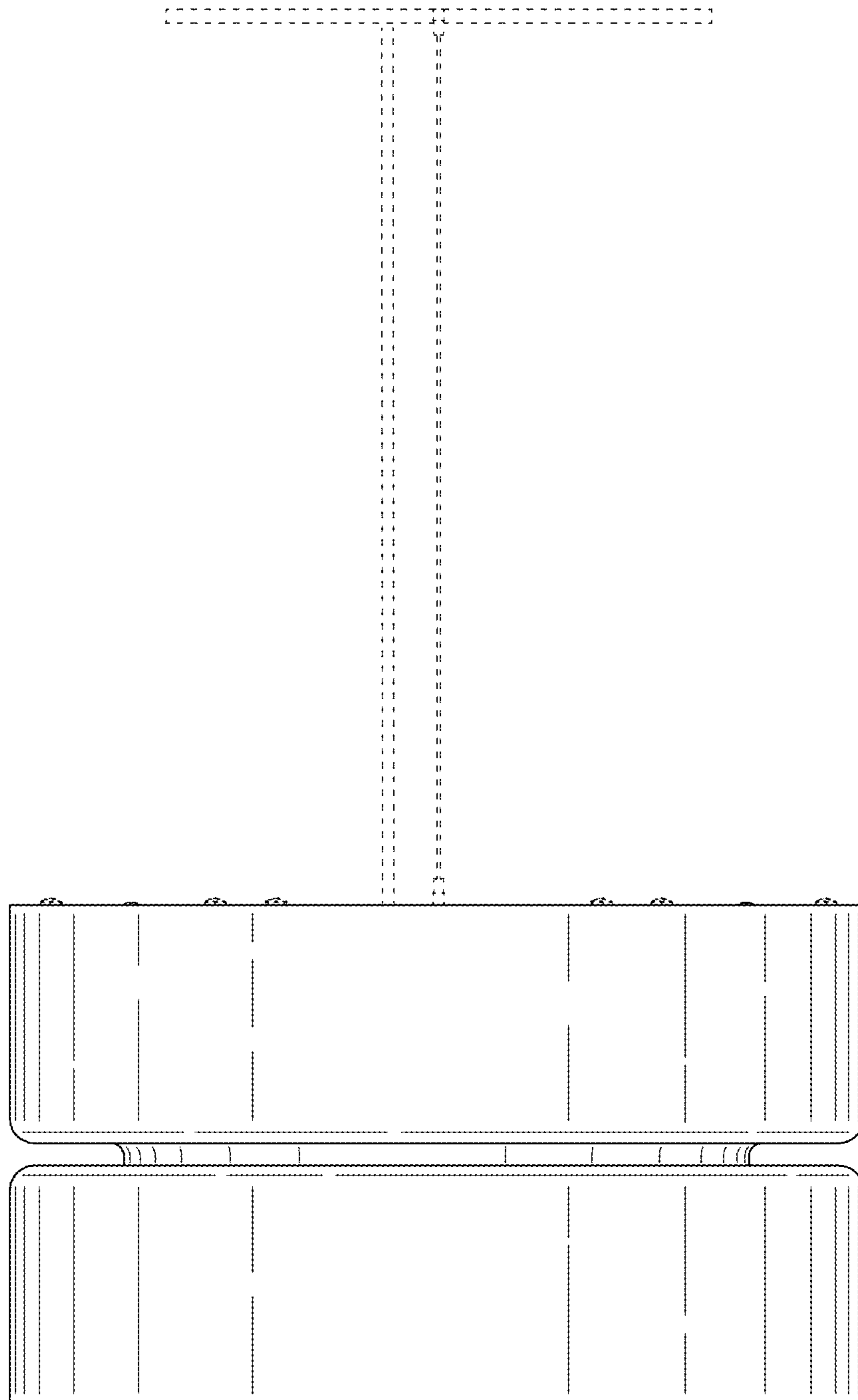


FIG. 4

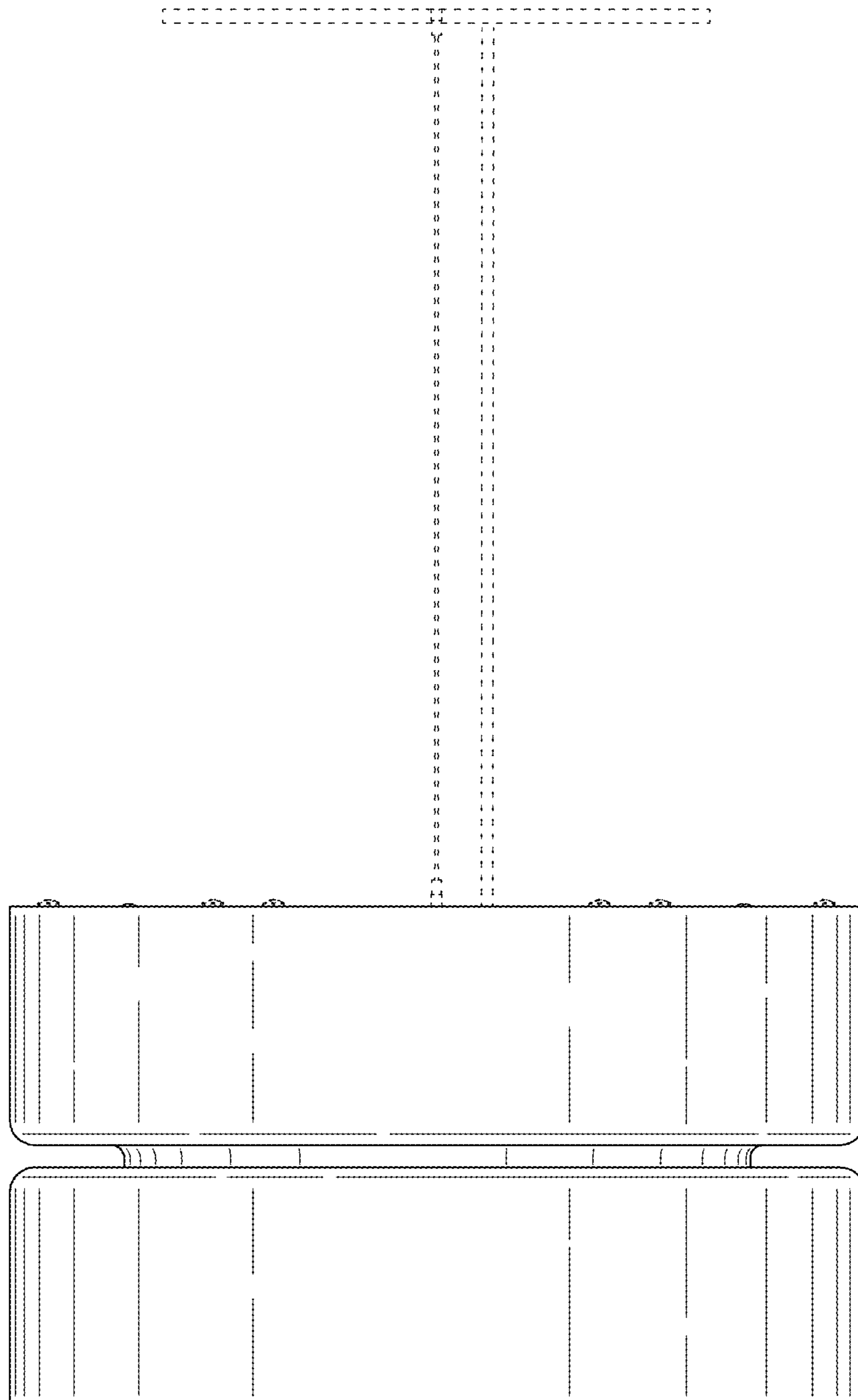


FIG. 5

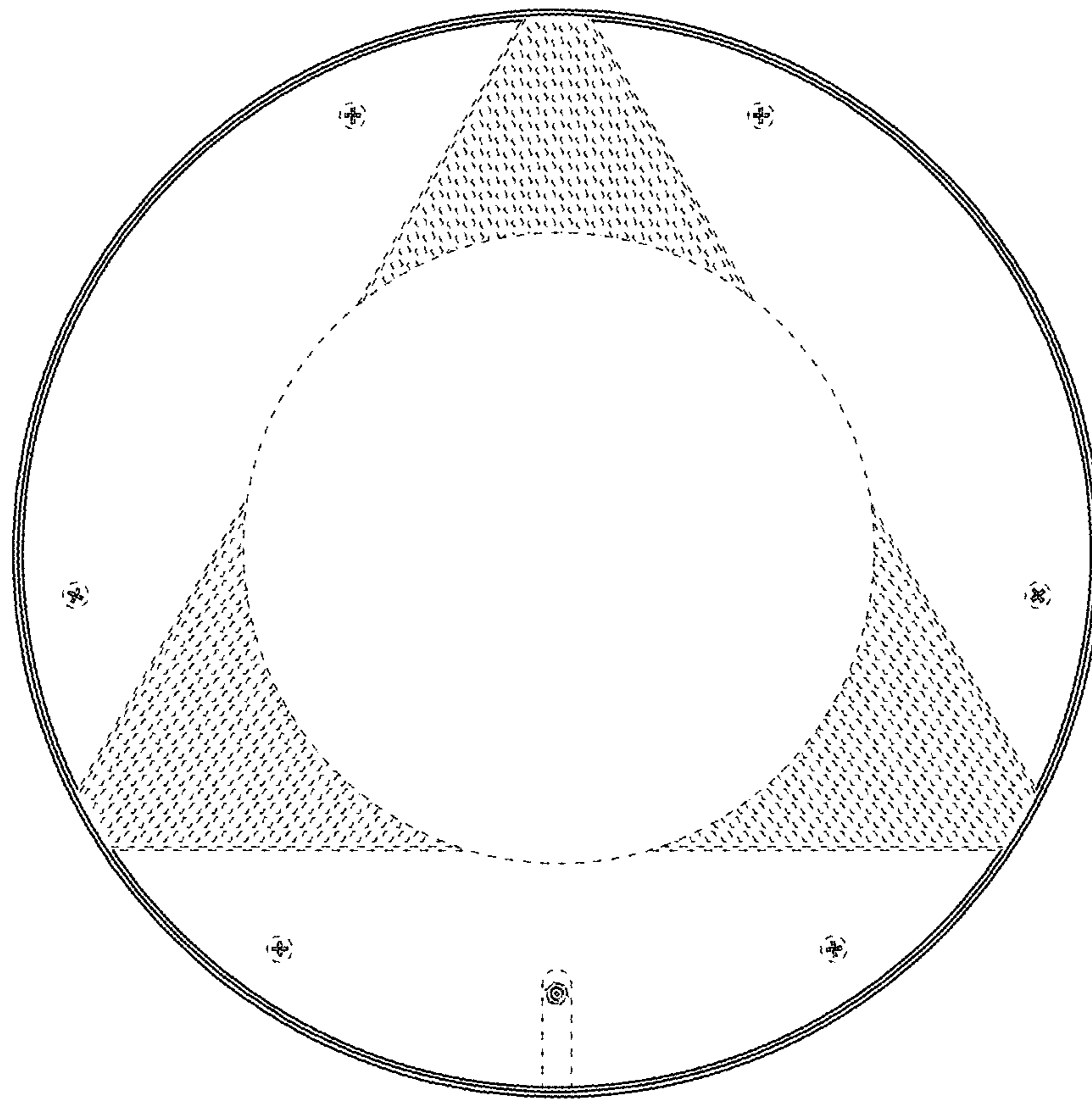


FIG. 6

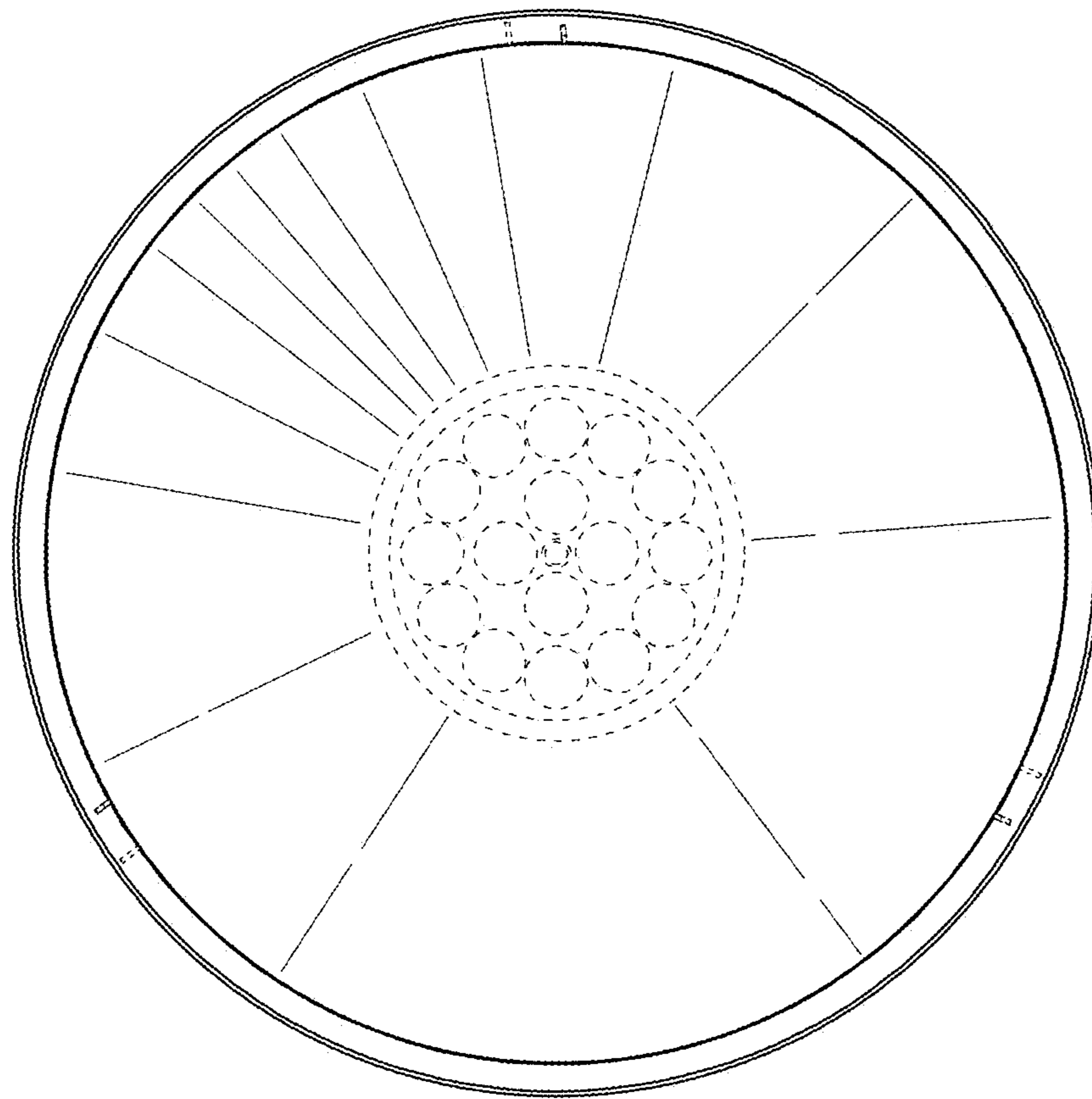


FIG. 7