



US00D880752S

(12) **United States Design Patent**  
**Yu et al.**

(10) **Patent No.:** **US D880,752 S**

(45) **Date of Patent:** **\*\* Apr. 7, 2020**

(54) **LED LAMP**

(71) Applicant: **Ningbo Ganpe Optoelectronics Co., Ltd.**, Ningbo (CN)

(72) Inventors: **Xiangjun Yu**, Ningbo (CN); **Zhongjie Sun**, Ningbo (CN)

(\*\*) Term: **15 Years**

(21) Appl. No.: **29/653,773**

(22) Filed: **Jun. 18, 2018**

(30) **Foreign Application Priority Data**

Apr. 19, 2018 (CN) ..... 2018 3 0163049

(51) **LOC (12) Cl.** ..... **26-03**

(52) **U.S. Cl.**  
USPC ..... **D26/76**

(58) **Field of Classification Search**  
USPC ... D26/3, 37, 67, 71, 72, 75, 78, 79, 80, 81,  
D26/82, 83, 85, 86, 88, 90, 113, 118  
CPC ..... F21S 8/06; F21S 8/031; F21S 4/00; F21Y  
2101/00  
See application file for complete search history.

(56) **References Cited**

**U.S. PATENT DOCUMENTS**

D724,776 S \* 3/2015 Sonneman ..... D26/85  
D817,535 S \* 5/2018 Feng ..... D26/76

D830,609 S \* 10/2018 Sonneman ..... D26/85  
D840,087 S \* 2/2019 Zeng ..... D26/76  
D854,727 S \* 7/2019 Cole ..... D26/76  
D862,766 S \* 10/2019 Kim ..... D26/76  
D864,456 S \* 10/2019 Lin ..... D26/76

\* cited by examiner

*Primary Examiner* — Brian N. Vinson

(74) *Attorney, Agent, or Firm* — W&K IP

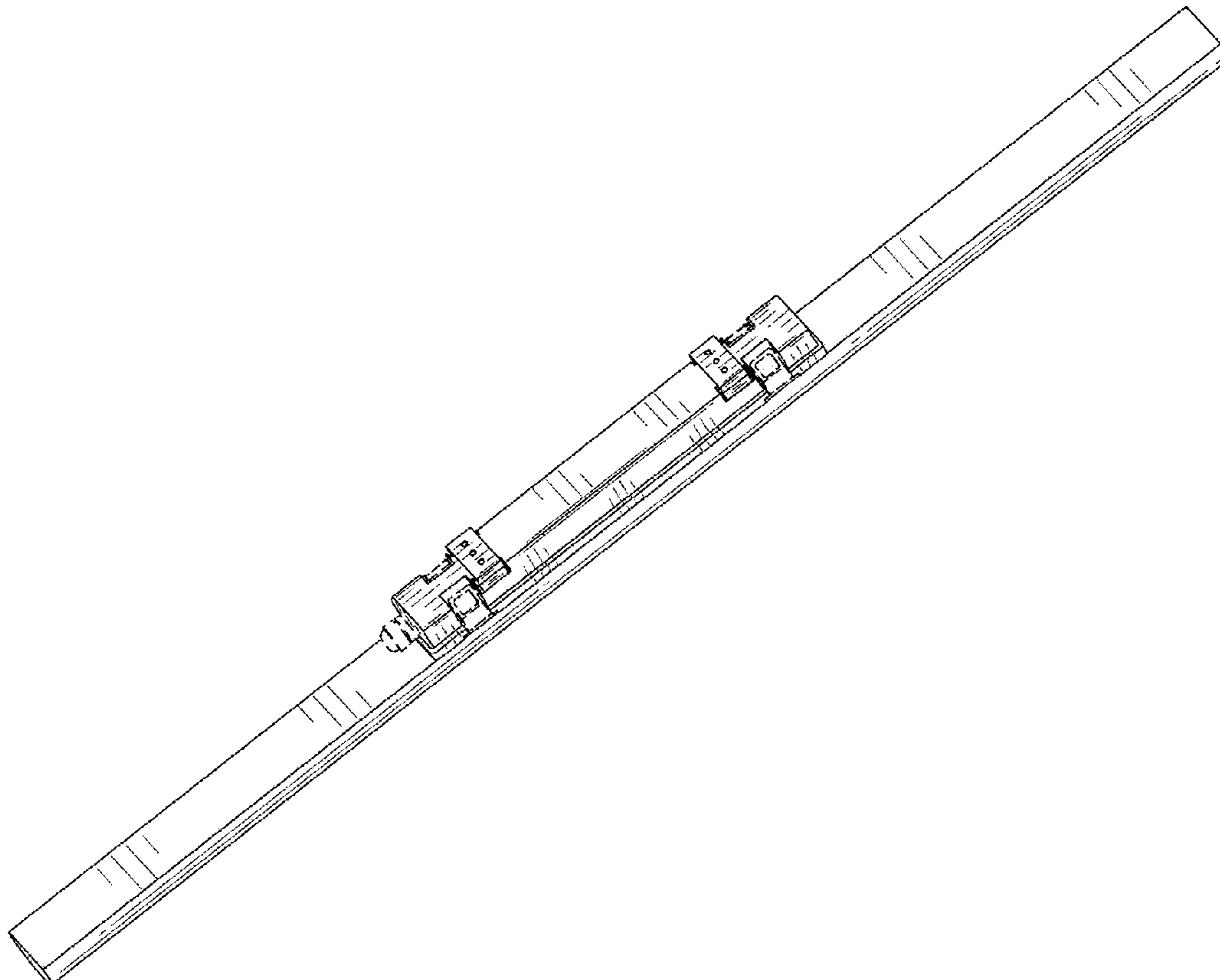
(57) **CLAIM**

The ornamental design for an LED lamp, as shown and described.

**DESCRIPTION**

FIG. 1 is a perspective view of an LED lamp;  
FIG. 2 is a front view thereof;  
FIG. 3 is a rear view thereof;  
FIG. 4 is a left view thereof;  
FIG. 5 is a right view thereof;  
FIG. 6 is a top view thereof; and,  
FIG. 7 is a bottom view thereof.  
The dashed or broken lines shown in the drawings depict portions of the LED lamp in which the design is embodied that form no part of the claimed design.

**1 Claim, 7 Drawing Sheets**



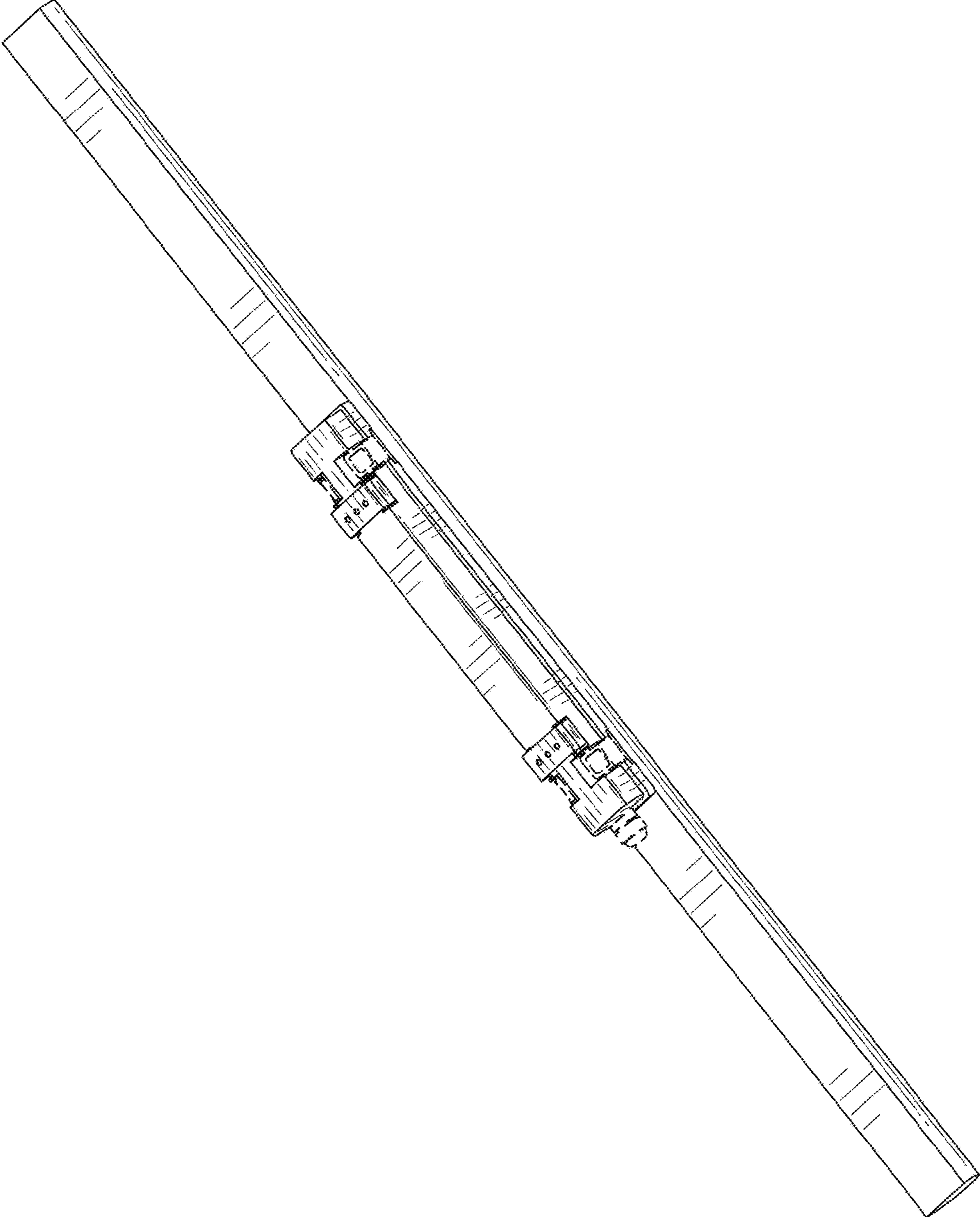


FIG. 1

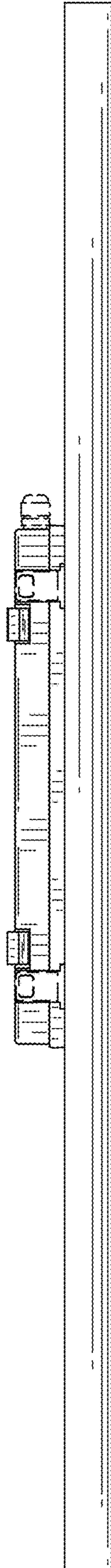


FIG. 2

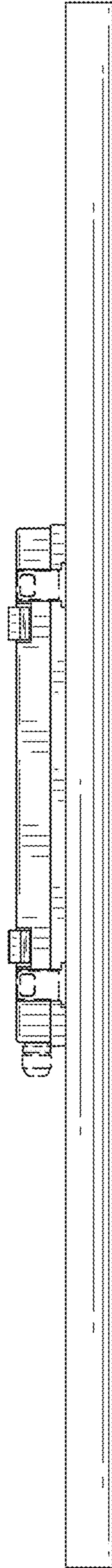


FIG. 3

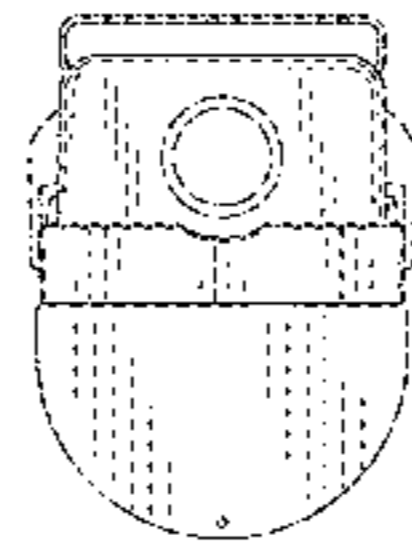


FIG. 4

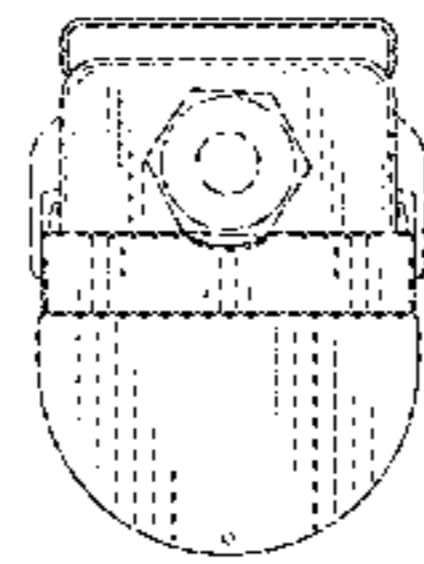


FIG. 5

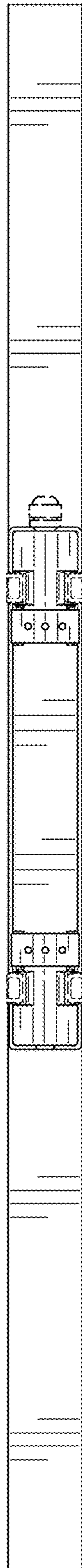


FIG. 6

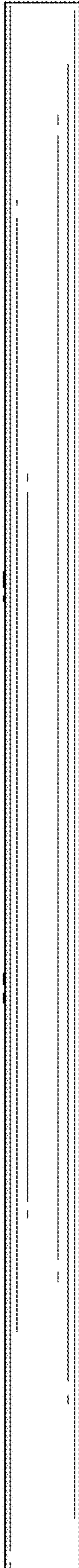


FIG. 7