



US00D880751S

(12) **United States Design Patent** (10) **Patent No.:** **US D880,751 S**
Ji et al. (45) **Date of Patent:** **** Apr. 7, 2020**

(54) **DOWNLIGHT LUMINAIRE**

(71) Applicant: **SIGNIFY HOLDING B.V.**, Eindhoven (NL)

(72) Inventors: **Ken Ji**, Kun Shan (CN); **Liang Bao**, Shanghai (CN); **Yong Jun Y J Hwang**, Shanghai (CN)

(73) Assignee: **SIGNIFY HOLDING B.V.**, Eindhoven (NL)

(**) Term: **15 Years**

(21) Appl. No.: **29/625,387**

(22) Filed: **Nov. 9, 2017**

(30) **Foreign Application Priority Data**

May 12, 2017 (EM) 003998163-0001

(51) **LOC (12) Cl.** **26-03**

(52) **U.S. Cl.**
USPC **D26/74**

(58) **Field of Classification Search**
USPC D26/72, 74, 79, 85, 88, 89
CPC F21S 8/00; F21S 8/02; F21S 8/026; F21V 21/04; F21V 21/042; F21V 21/044; F21V 21/047; F21V 29/00; F21V 29/74; F21V 29/75; F21V 29/76

See application file for complete search history.

(56) **References Cited**

U.S. PATENT DOCUMENTS

D681,862 S *	5/2013	Soni	D26/74
D767,194 S *	9/2016	Lee	D26/74
D777,966 S *	1/2017	Jeswani	D26/74
D786,472 S *	5/2017	Redfern	D26/74
D786,474 S *	5/2017	Fujisawa	D26/74
D808,058 S *	1/2018	Johnson	D26/74
D810,345 S *	2/2018	Redfern	D26/74
D824,074 S *	7/2018	Vidal	D26/74
D827,903 S *	9/2018	Wu	D26/74
D842,524 S *	3/2019	Rybol	D26/74

* cited by examiner

Primary Examiner — Brian N. Vinson

(74) *Attorney, Agent, or Firm* — Daniel J. Piotrowski

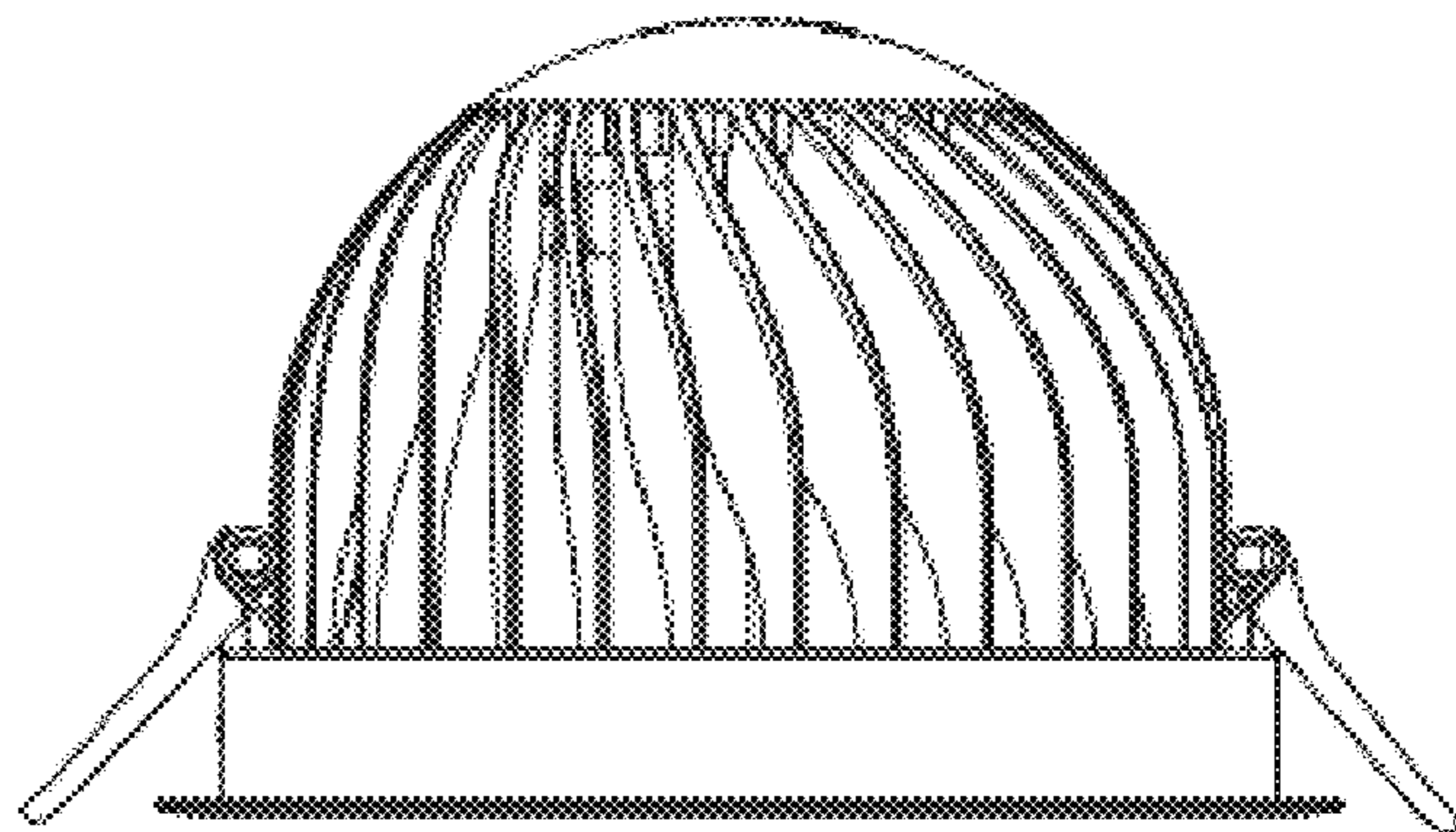
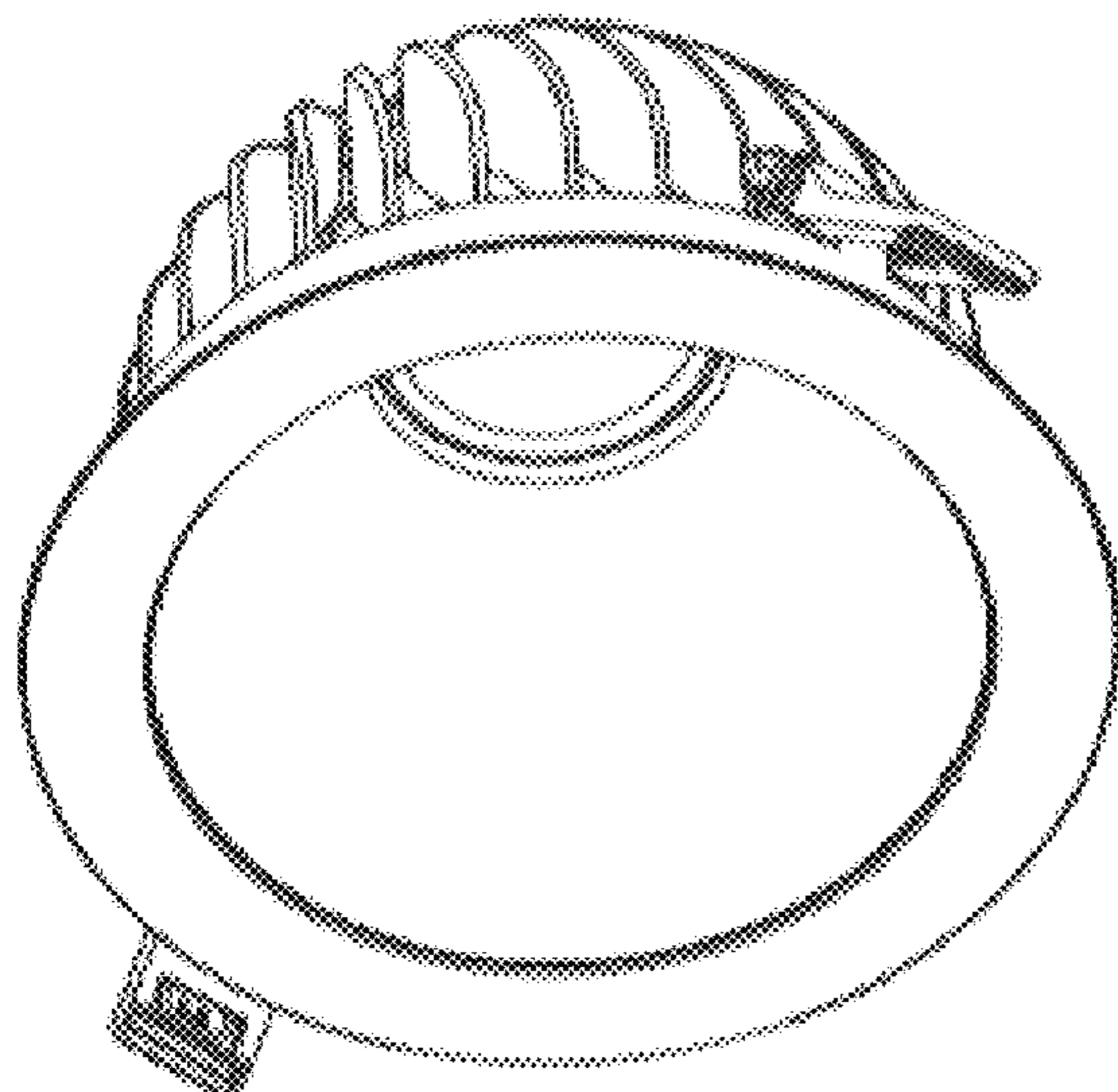
(57) **CLAIM**

The ornamental design for a “downlight luminaire”, as shown and described.

DESCRIPTION

FIG. 1 is a perspective view showing my design; FIG. 2 is a front elevational view thereof; FIG. 3 is a rear elevational view thereof; FIG. 4 is a right side elevational view thereof; FIG. 5 is a left side elevational view thereof; FIG. 6 is a top plan view thereof; and, FIG. 7 is a bottom plan view thereof.

1 Claim, 4 Drawing Sheets



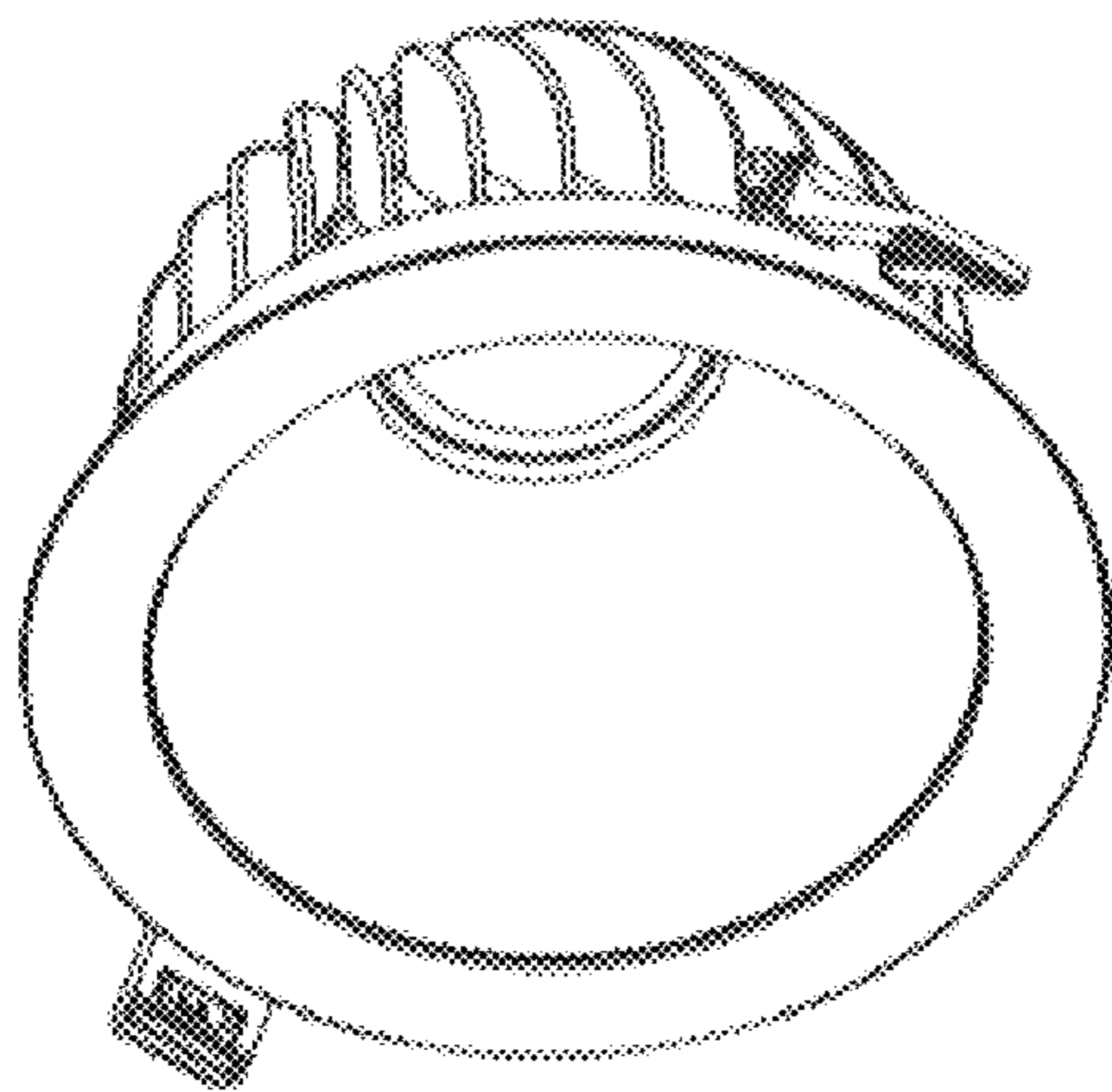


FIG. 1

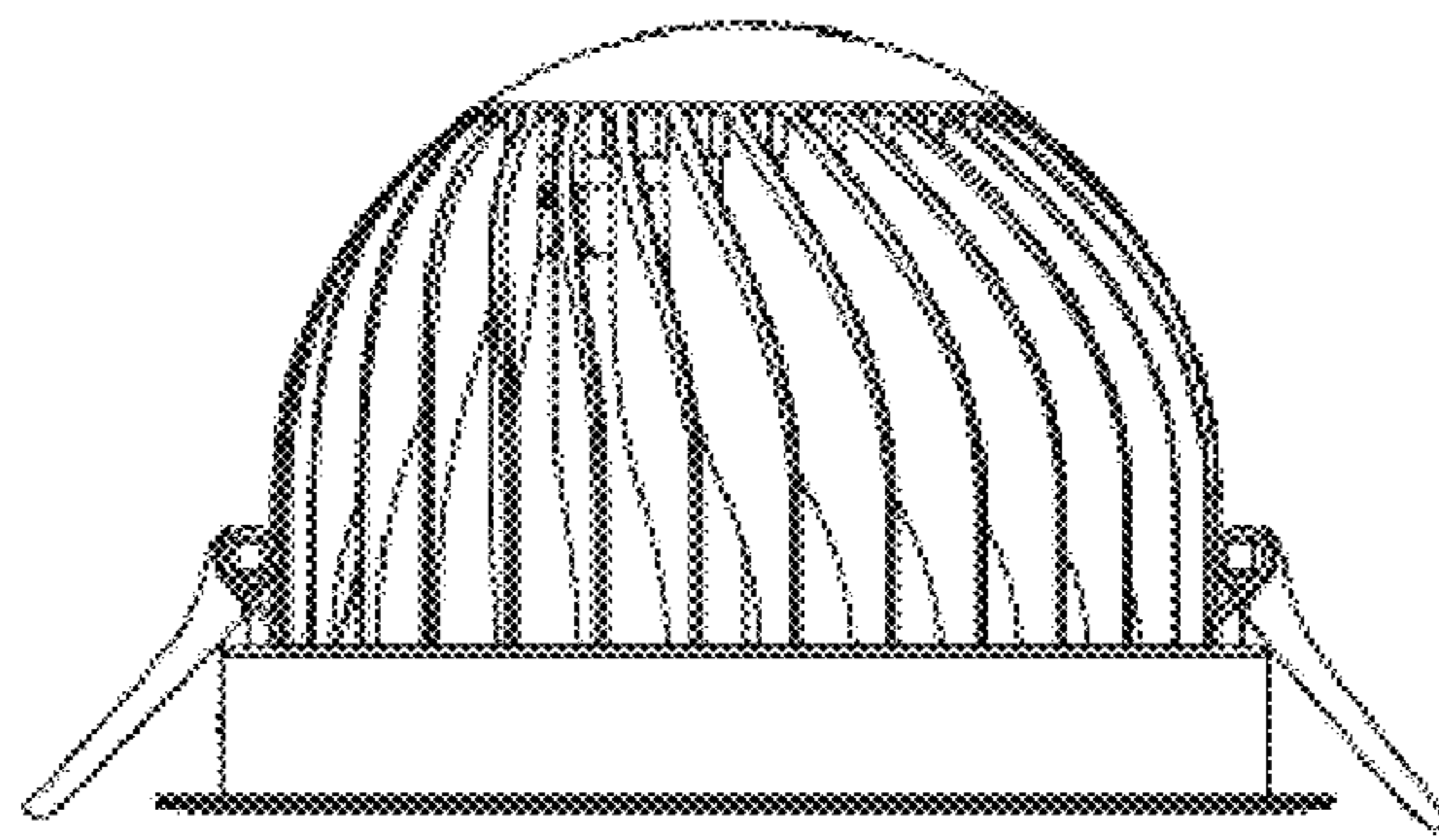


FIG. 2

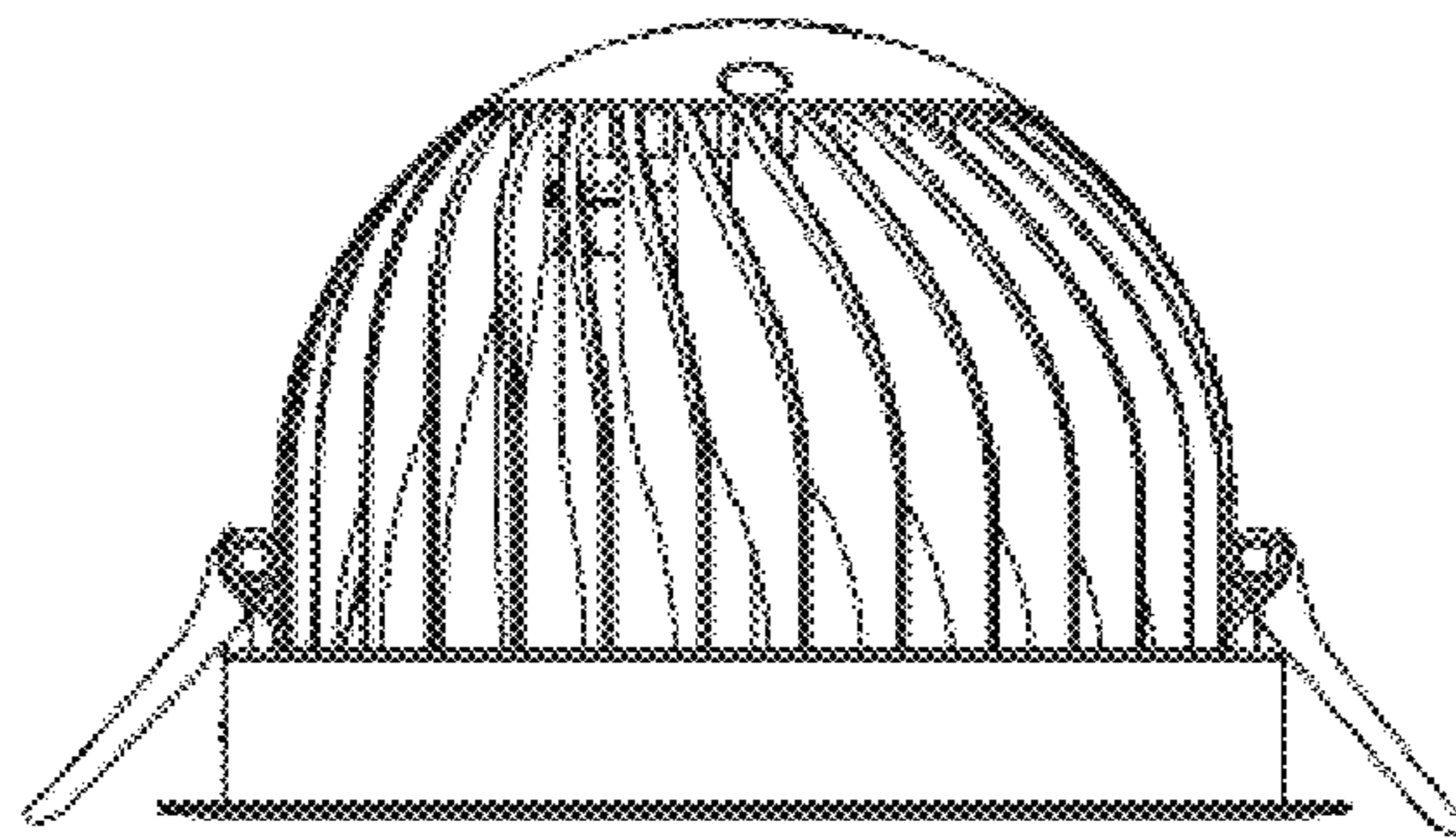


FIG. 3

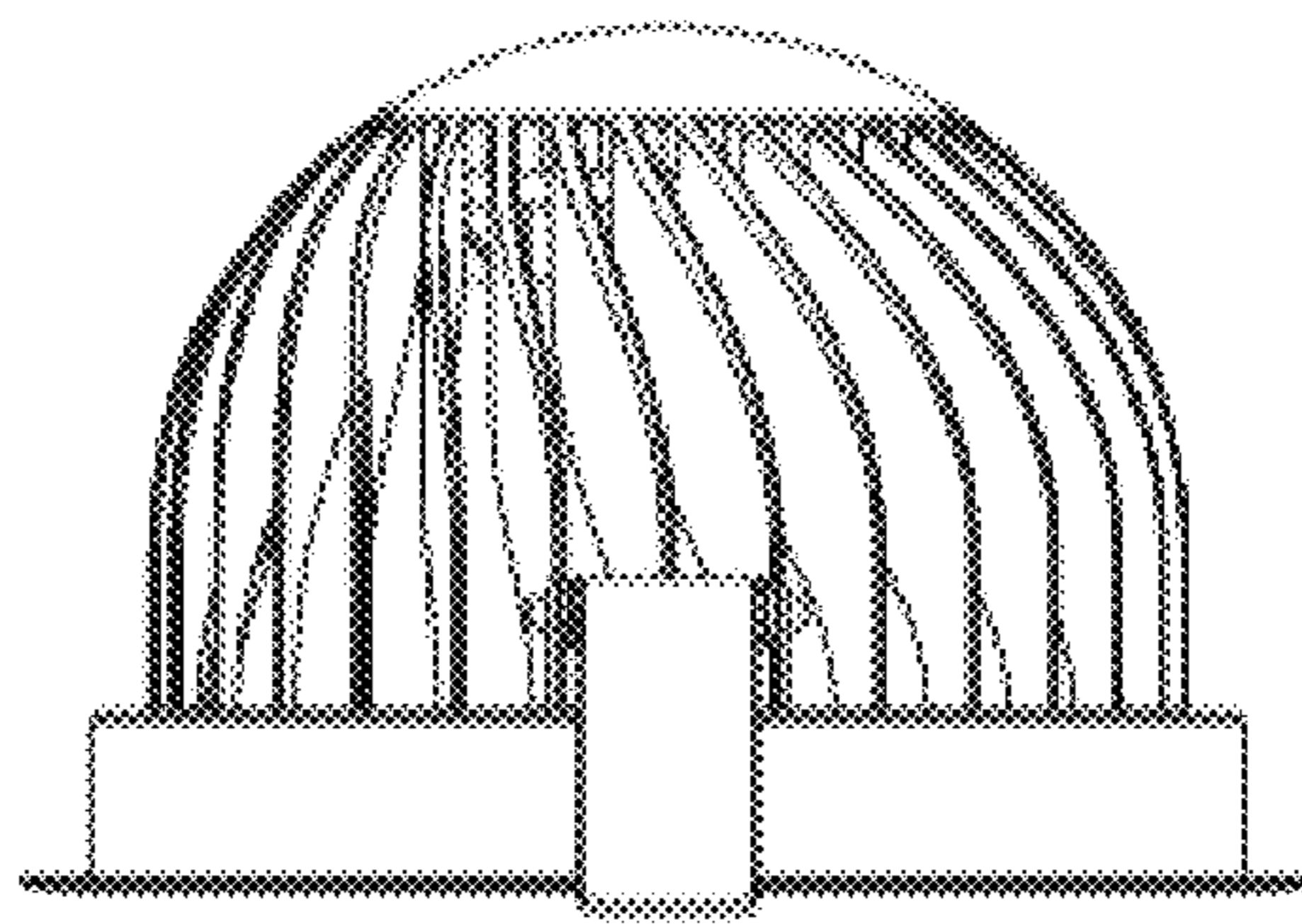


FIG. 4

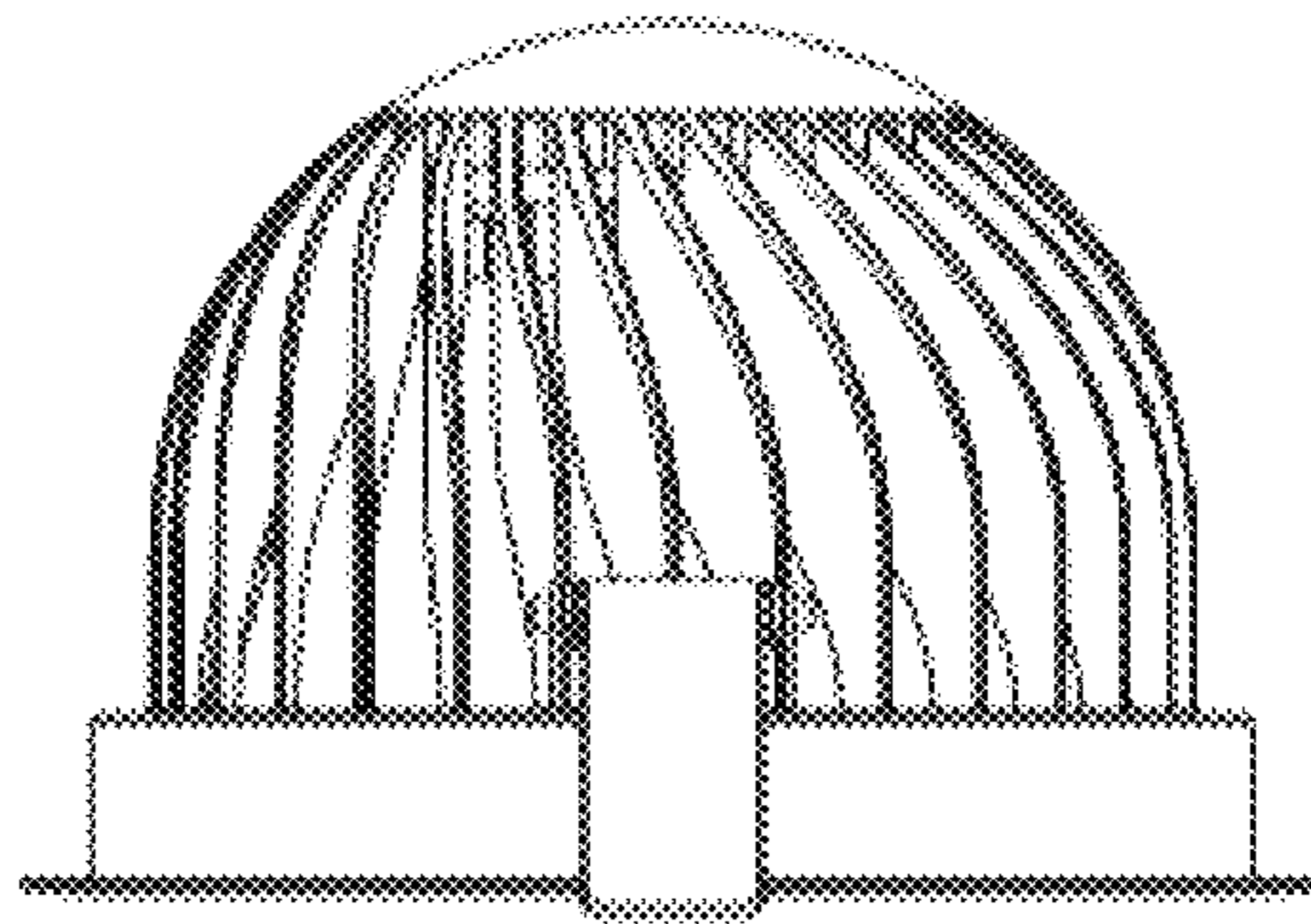


FIG. 5

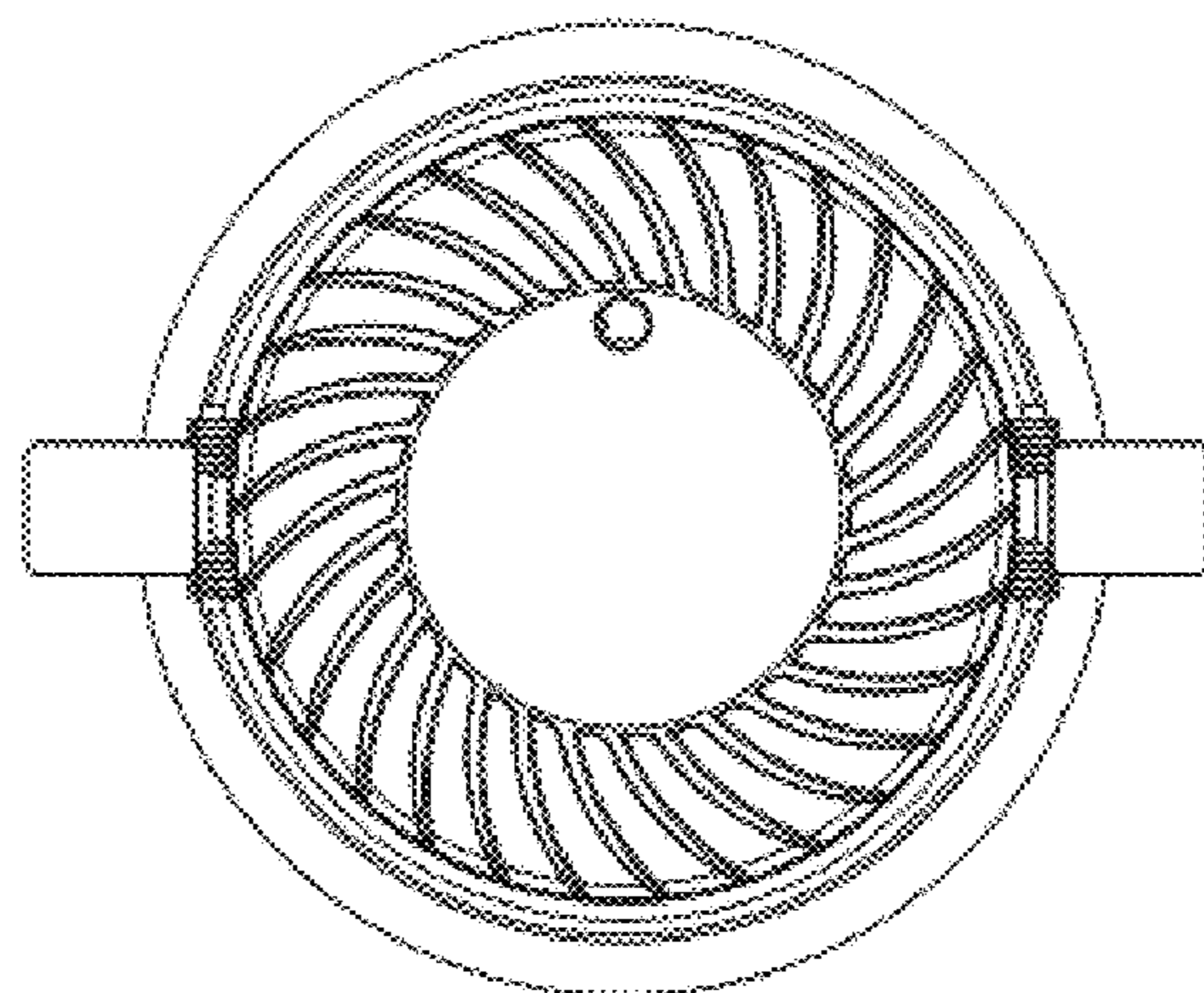


FIG. 6

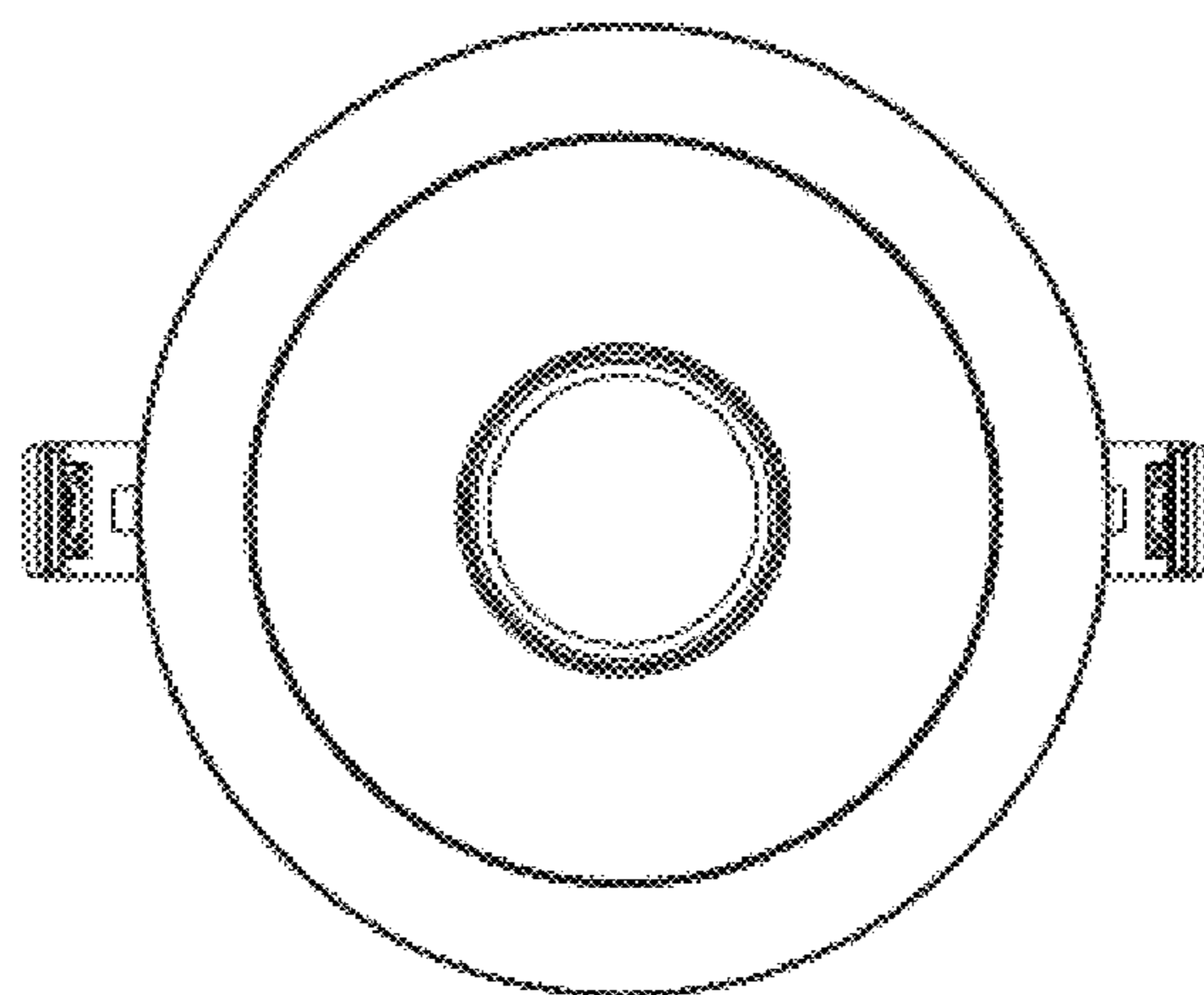


FIG. 7