



US00D880749S

(12) **United States Design Patent** (10) **Patent No.:** **US D880,749 S**
Memedi (45) **Date of Patent:** **** Apr. 7, 2020**

(54) **GLASS CEILING LAMP**

(71) Applicant: **Nafi Memedi**, Düren (DE)

(72) Inventor: **Nafi Memedi**, Düren (DE)

(**) Term: **15 Years**

(21) Appl. No.: **35/505,904**

(22) Filed: **May 24, 2018**

(80) **Hague Agreement Data**

Int. Filing Date: **May 24, 2018**

Int. Reg. No.: **DM/103178**

Int. Reg. Date: **May 24, 2018**

Int. Reg. Pub. Date: **Oct. 19, 2018**

(51) **LOC (12) Cl.** **26-05**

(52) **U.S. Cl.**
USPC **D26/73**

(58) **Field of Classification Search**
USPC D26/51, 57, 72, 73, 81, 83, 85, 86, 88,
D26/90, 93, 94, 101, 111, 113, 118, 119,
D26/120, 121, 122, 125, 127, 138, 139,
D26/140, 141, 142, 152
CPC F21S 2/00; F21S 4/00; F21S 4/003; F21S
4/005; F21S 4/006; F21S 4/007; F21S
4/008; F21S 6/00; F21S 8/00; F21S
8/024; F21S 8/026; F21S 8/031; F21S
8/033; F21S 8/035-037; F21S 8/04; F21S
8/043; F21S 8/063
See application file for complete search history.

(56) **References Cited**

U.S. PATENT DOCUMENTS

D59,478 S * 10/1921 Howell D26/156
D196,256 S * 9/1963 Dwyer et al. D26/127
D196,259 S * 9/1963 Dwyer et al. D26/127
D345,021 S * 3/1994 Storey D11/117
D370,291 S * 5/1996 Sole I Casas-Salat D26/127

D410,756 S * 6/1999 Kleinberg D26/19
D507,360 S * 7/2005 Yuen D26/26
D509,315 S * 9/2005 Weiser D26/101
D511,018 S * 10/2005 Sooferian D26/67
D537,191 S * 2/2007 Husbands D26/101
D551,785 S * 9/2007 Montgomery D26/26
D597,648 S * 8/2009 Heflin, III D23/367
7,628,524 B2 * 12/2009 Lemay G02B 6/0008
362/554
D614,279 S * 4/2010 Lesniak D23/367
D628,336 S * 11/2010 Baylar D26/88
D630,791 S * 1/2011 Wanders D26/127
D643,966 S * 8/2011 Postelmans D26/61
D698,102 S * 1/2014 Muhr D30/124
D698,103 S * 1/2014 Muhr D30/124
D732,731 S * 6/2015 Wang D26/127
D746,504 S * 12/2015 Sabernig D26/85
D780,434 S * 3/2017 Daniels D2/976
D792,009 S * 7/2017 Sonneman D26/86

(Continued)

Primary Examiner — Natasha Vujcic

(57) **CLAIM**

The ornamental design for glass ceiling lamp, as shown and described.

DESCRIPTION

1.-4. Glass ceiling lamp

1.1 : Front

1.2 : Cross-sectional

1.3 : Cross-sectional

2.1 : Front

2.2 : Cross-sectional

2.3 : Cross-sectional

3.1 : Front

3.2 : Cross-sectional

3.3 : Cross-sectional

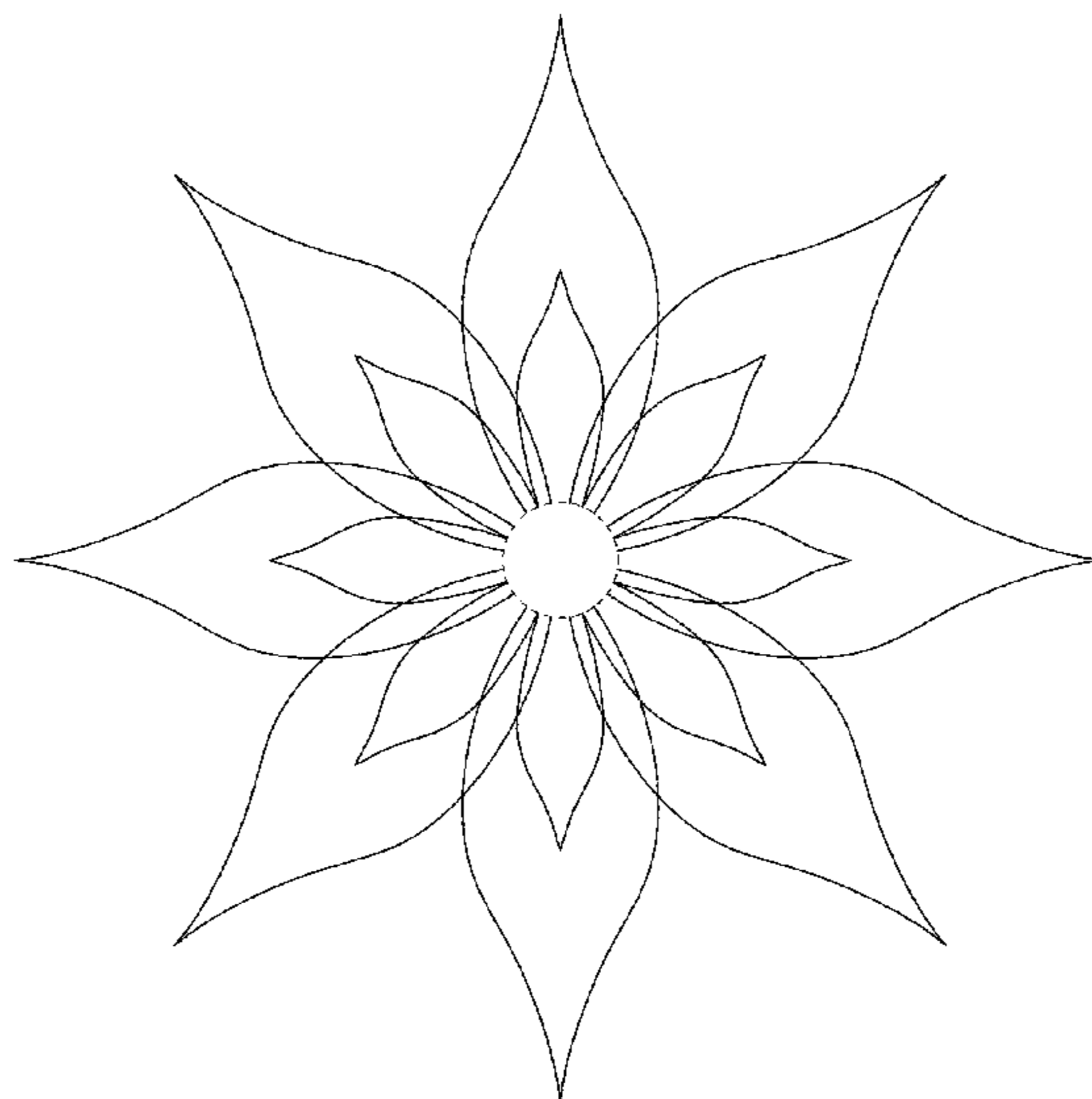
4.1 : Front

4.2 : Cross-sectional

4.3 : Cross-sectional

The broken ones appearing in the drawing are for illustrative purposes only and form no part of the claimed design.

1 Claim, 12 Drawing Sheets



(56)

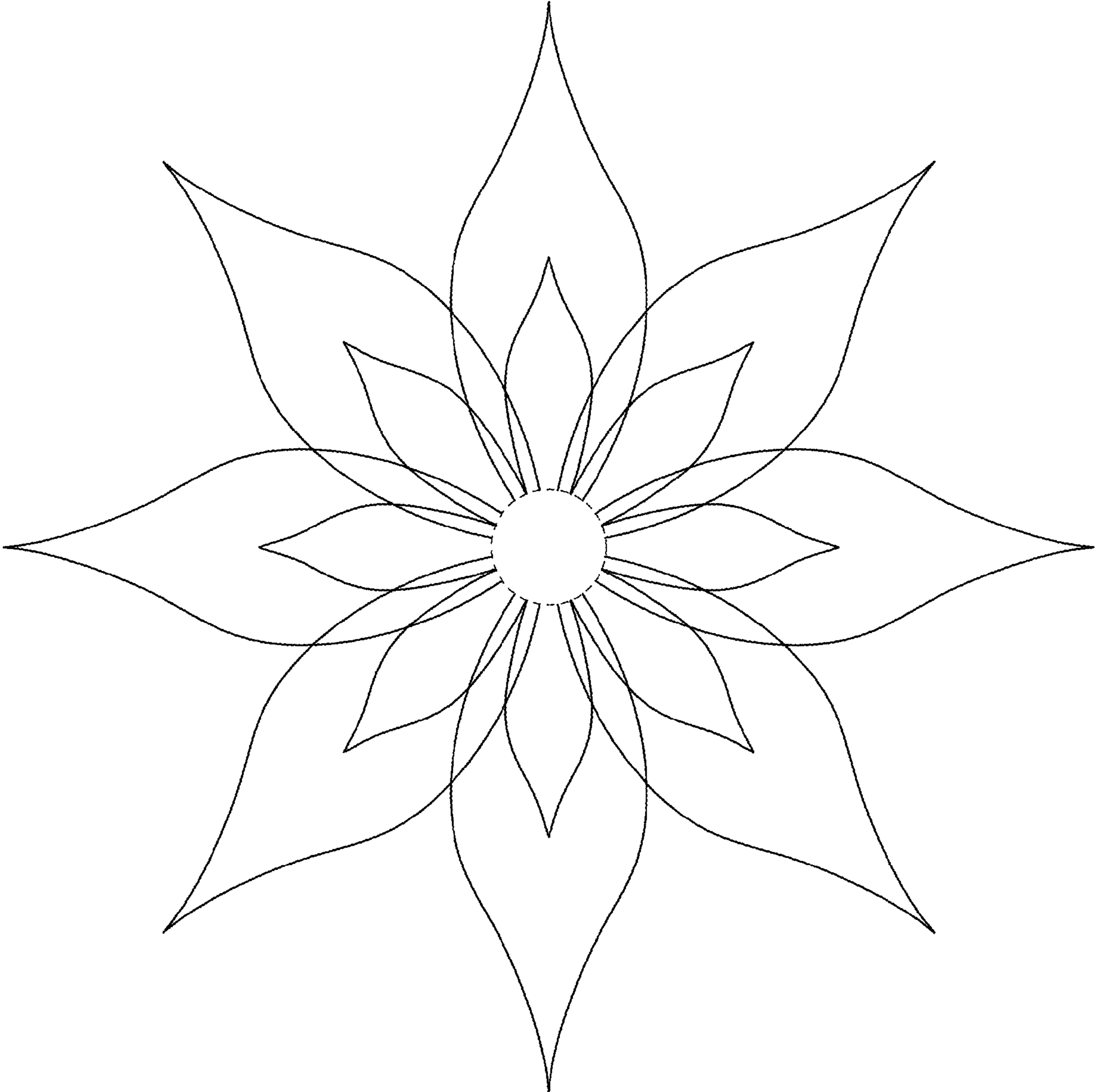
References Cited

U.S. PATENT DOCUMENTS

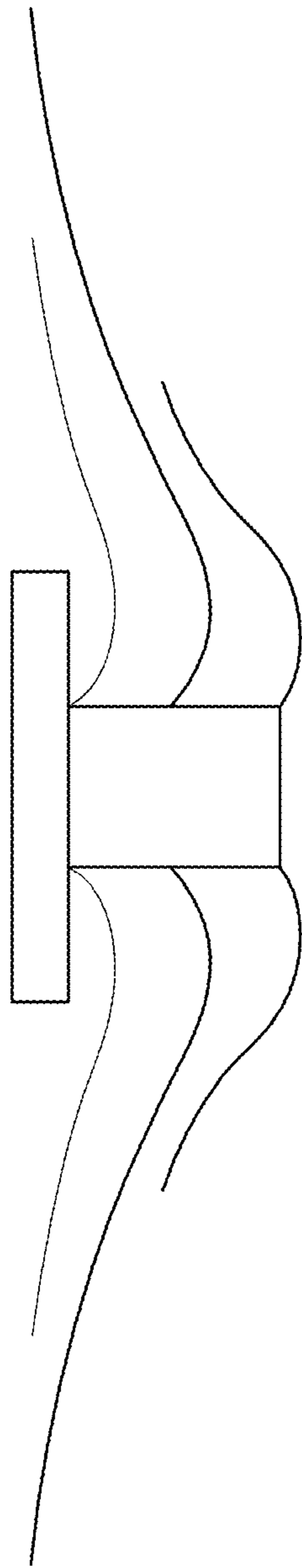
D827,181	S	*	8/2018	Farid	D26/73
D831,255	S	*	10/2018	Pelle	D26/73
D832,471	S	*	10/2018	Voss	D26/14
2010/0097790	A1	*	4/2010	Tseng	F21K 9/00 362/122
2013/0022946	A1	*	1/2013	Wetherbee	G09B 19/00 434/236

* cited by examiner

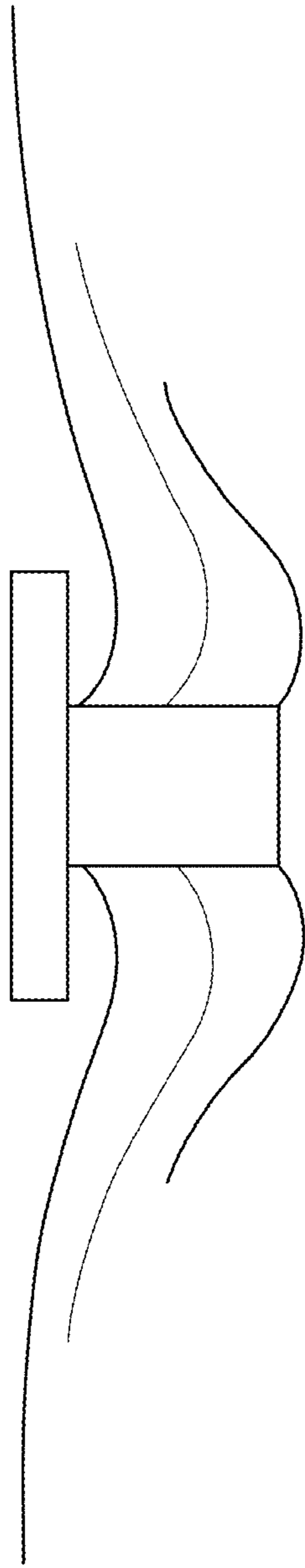
1.1



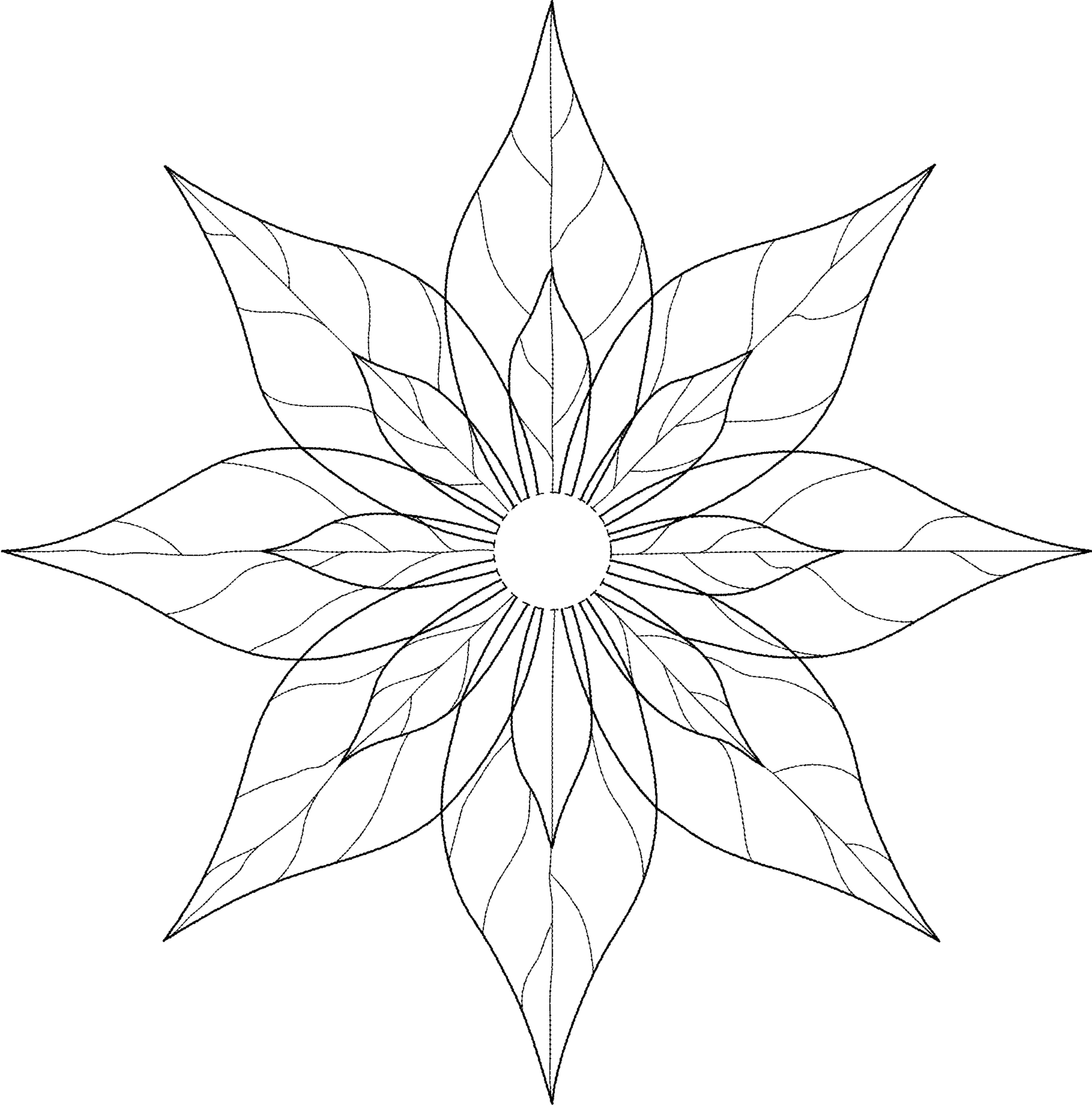
1.2



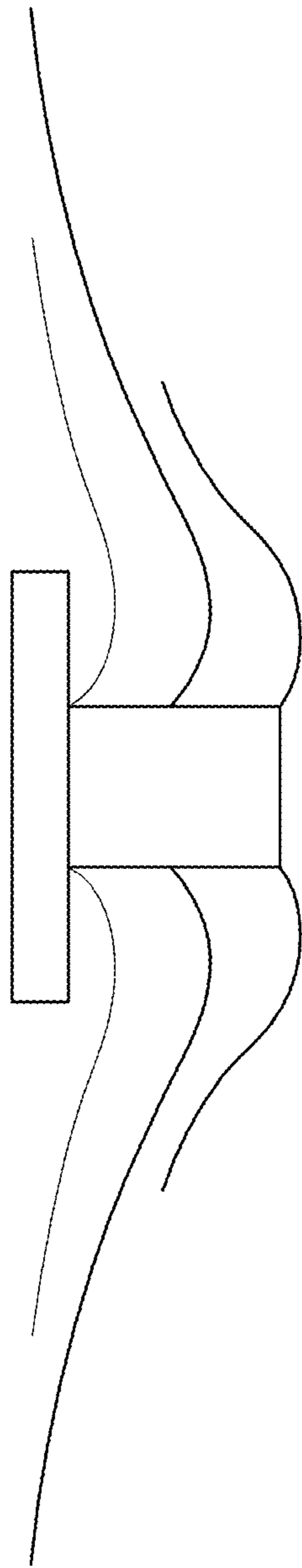
1.3



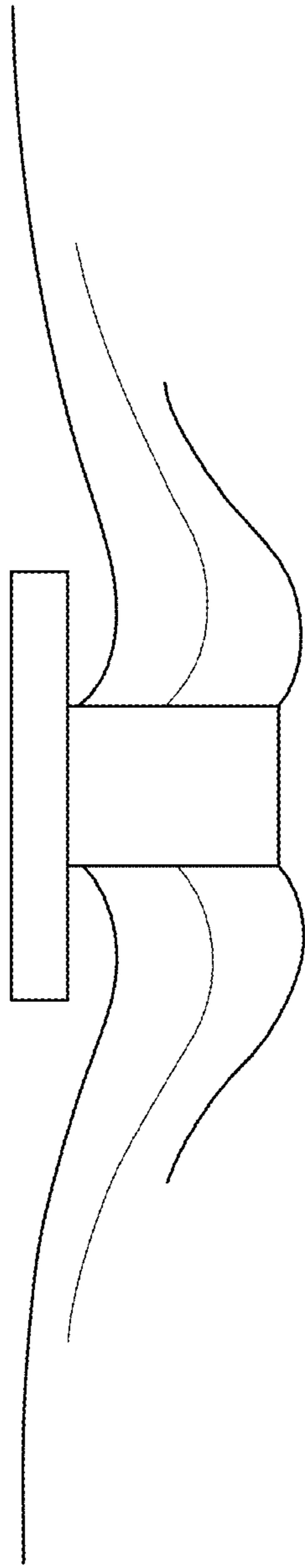
2.1



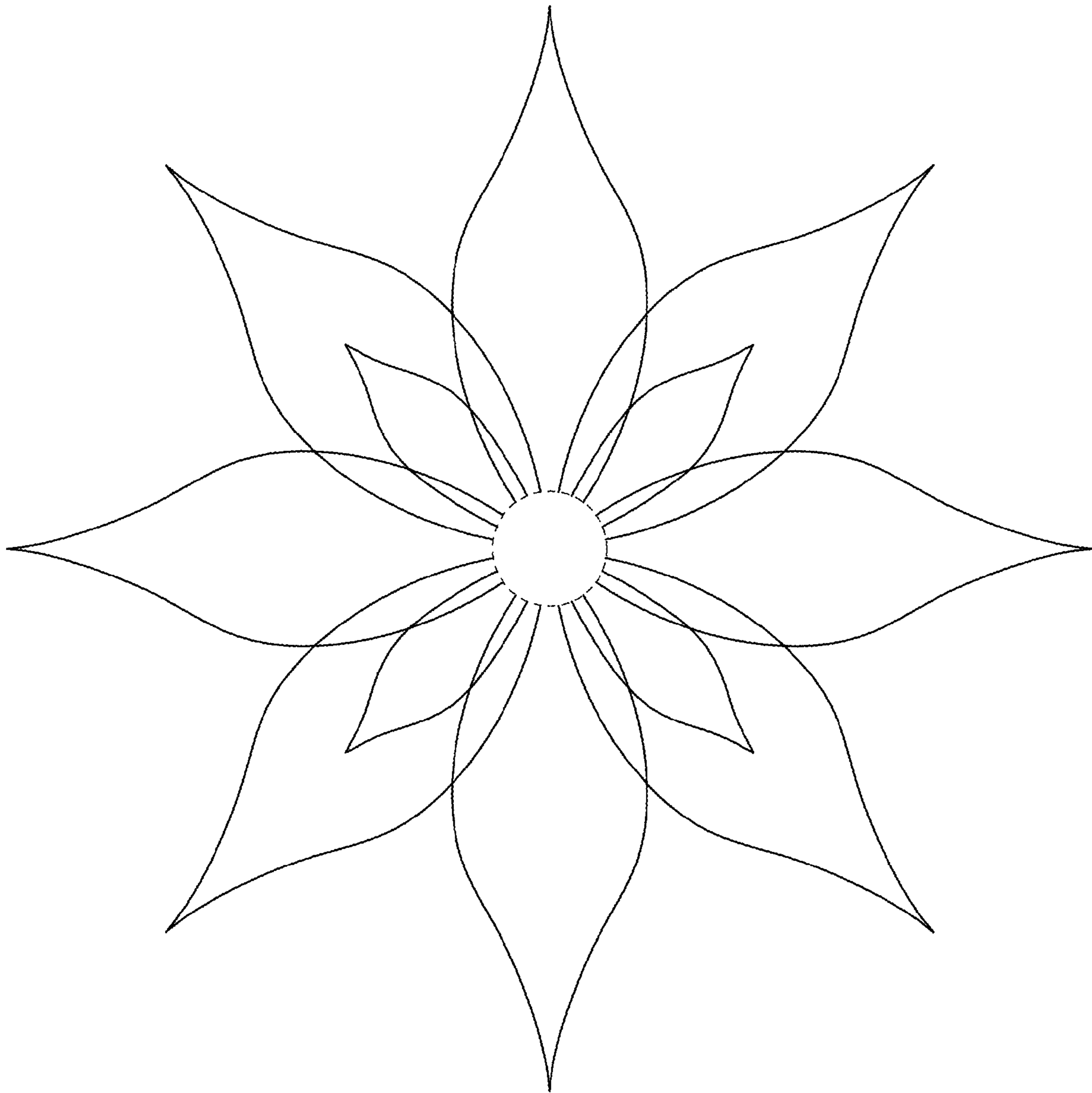
2.2



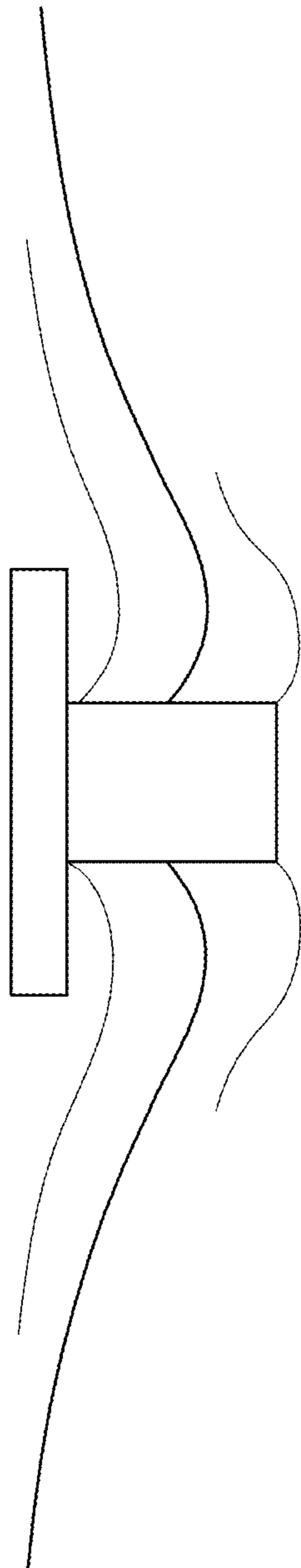
2.3



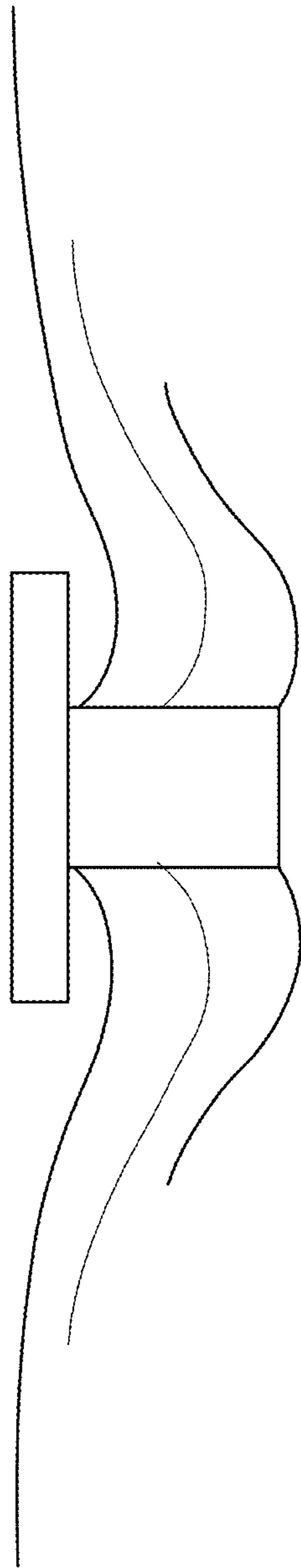
3.1



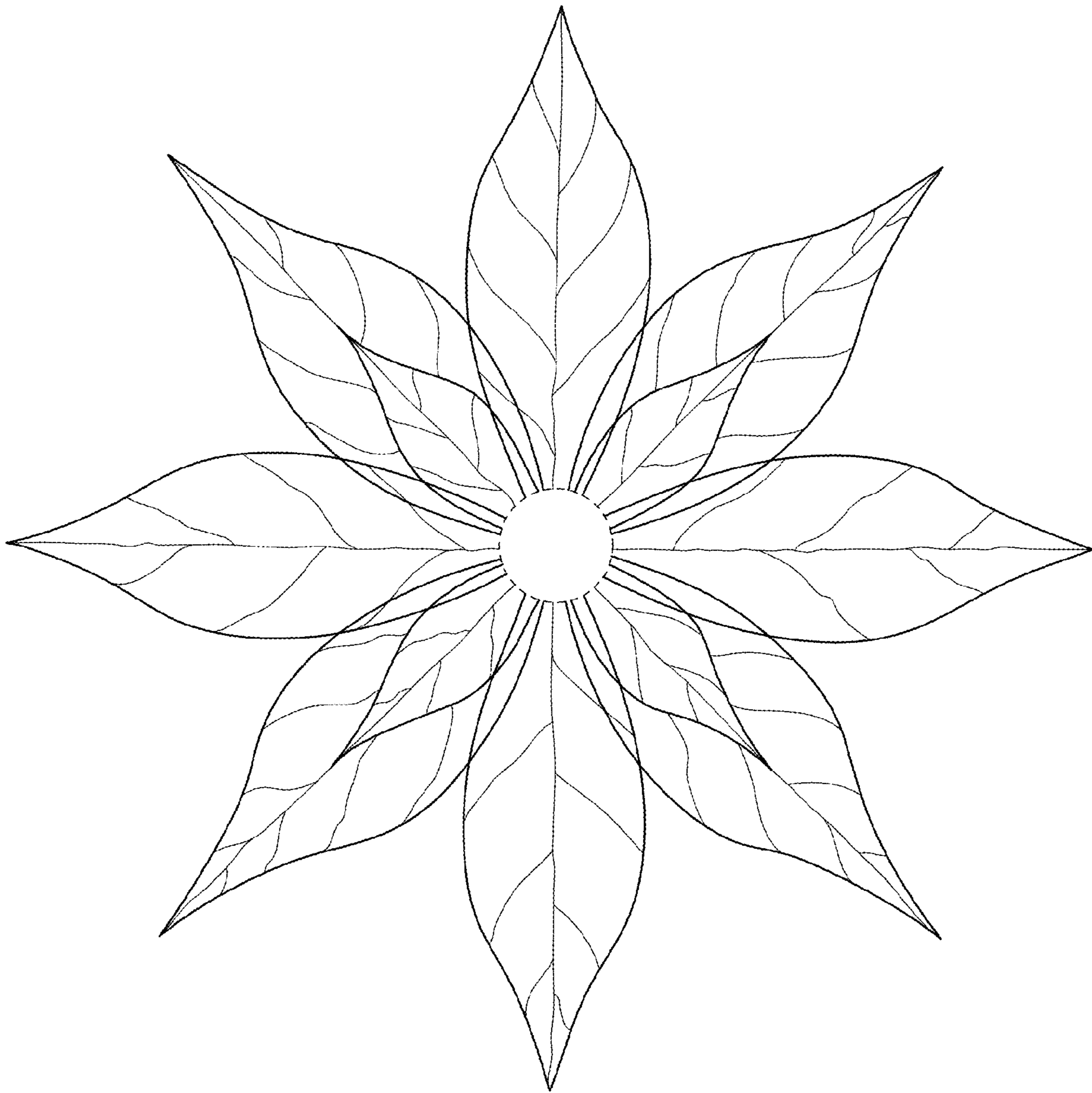
3.2



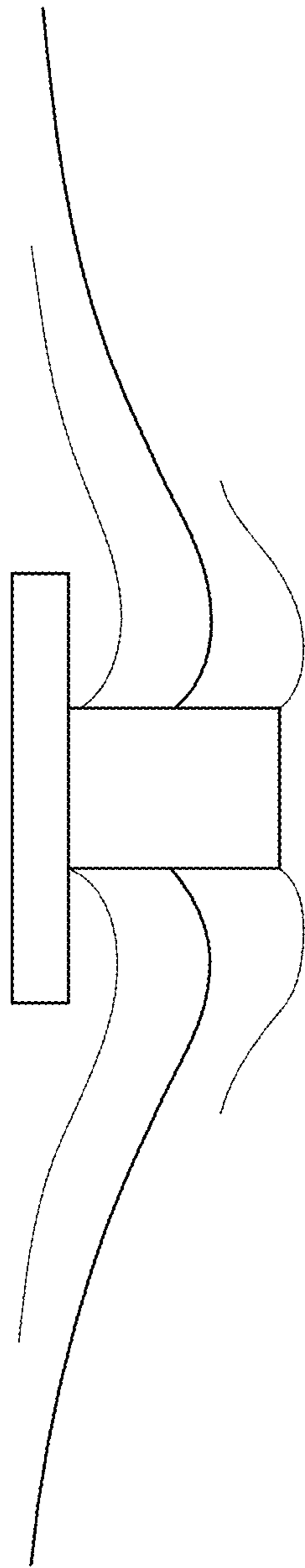
3.3



4.1



4.2



4.3

