



US00D880748S

(12) **United States Design Patent**  
**Calaceto**

(10) **Patent No.:** **US D880,748 S**  
(45) **Date of Patent:** **\*\* Apr. 7, 2020**

(54) **CYLINDRICAL LIGHT FIXTURE WITH FINS**

(71) Applicant: **RAB Lighting Inc.**, Northvale, NJ (US)

(72) Inventor: **Nicholas Calaceto**, Northvale, NJ (US)

(73) Assignee: **RAB Lighting Inc.**, Northvale, NJ (US)

(\*\*) Term: **15 Years**

(21) Appl. No.: **29/662,521**

(22) Filed: **Sep. 6, 2018**

(51) **LOC (12) Cl.** ..... **26-05**

(52) **U.S. Cl.**

USPC ..... **D26/72**

(58) **Field of Classification Search**

USPC ..... D26/63, 72, 80, 83, 85, 88, 89, 118;  
D13/179

(Continued)

(56) **References Cited**

**U.S. PATENT DOCUMENTS**

D205,770 S \* 9/1966 Coe ..... D13/179  
8,593,042 B1 \* 11/2013 Lee ..... F21V 29/006  
313/46

(Continued)

**OTHER PUBLICATIONS**

International Journal of Scientific & Engineering Research, vol. 7, Issue 6, Jun. 2016 229 ISSN 2229-5518/ 'Parametric Effects on a Heat Sink with Branched Fins under Natural Convection' by Krishna Kumar Singh and Dr. M.K. Sinha/ Fig. 1. Schematic diagram of the cylindrical heat sink. (Year: 2016).\*

Unknown light fixture, Image retrieved from Internet on or before Sep. 4, 2018.

*Primary Examiner* — Clare E Heflin

(74) *Attorney, Agent, or Firm* — Frost Brown Todd LLC;  
Douglas G. Gallagher; Kevin C. Oschman

(57) **CLAIM**

The ornamental design for a cylindrical light fixture with fins, as shown and described.

**DESCRIPTION**

FIG. 1 is a top perspective view of a first embodiment of the new design;

FIG. 2 is a bottom perspective view of the first embodiment of the new design;

FIG. 3 is a front view of the first embodiment of the new design;

FIG. 4 is a rear view of the first embodiment of the new design;

FIG. 5 is a top view of the first embodiment of the new design;

FIG. 6 is a bottom view of the first embodiment of the new design;

FIG. 7 is a right side view of the first embodiment of the new design;

FIG. 8 is a left side view of the first embodiment of the new design;

FIG. 9 is a top perspective view of a second embodiment of the new design;

FIG. 10 is a bottom perspective view of the second embodiment of the new design;

FIG. 11 is a front view of the second embodiment of the new design;

FIG. 12 is a rear view of the second embodiment of the new design;

FIG. 13 is a top view of the second embodiment of the new design;

FIG. 14 is a bottom view of the second embodiment of the new design;

FIG. 15 is a right side view of the second embodiment of the new design;

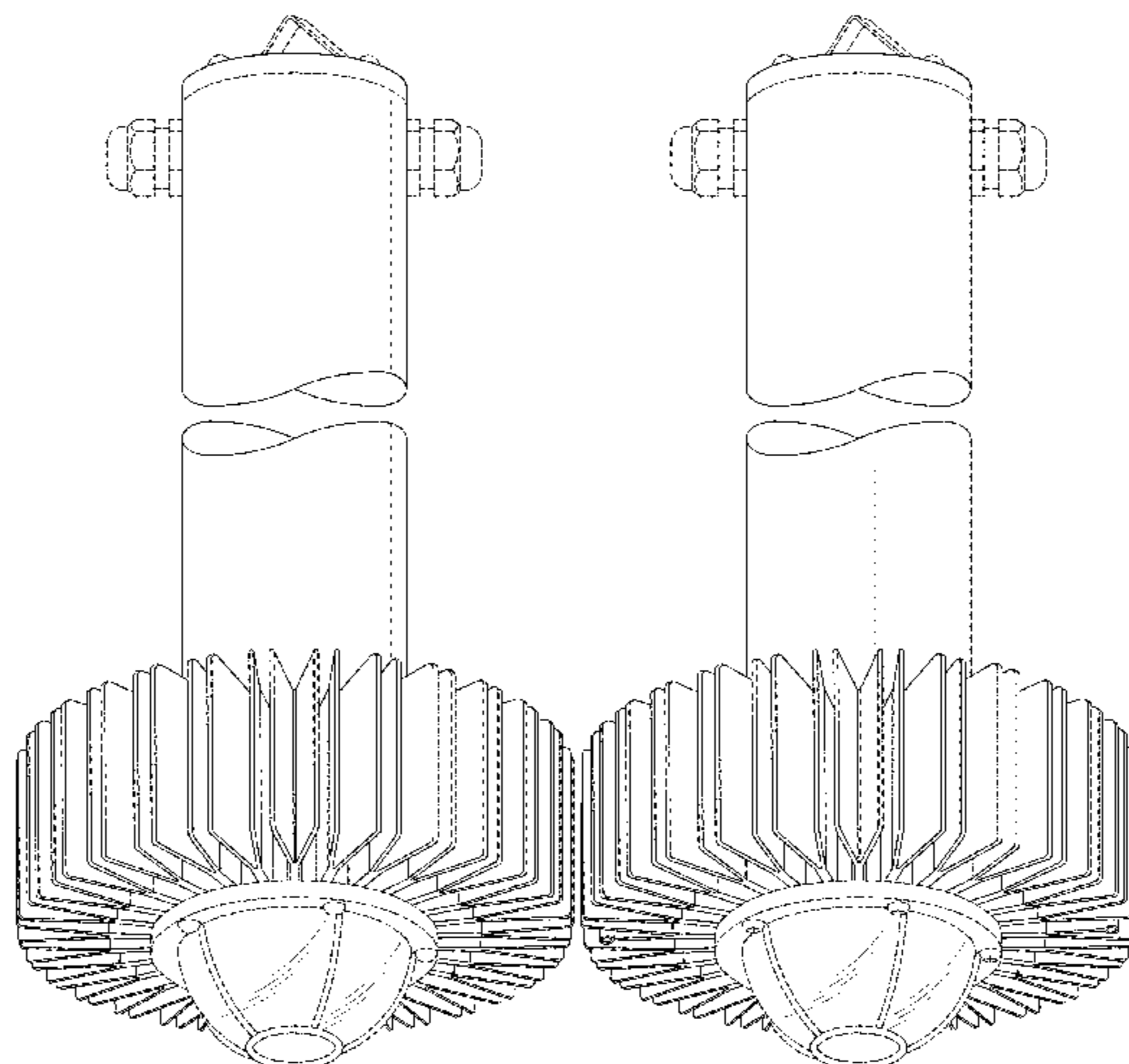
FIG. 16 is a left side view of the second embodiment of the new design;

FIG. 17 is a front view of a third embodiment of the new design; and,

FIG. 18 is a front view of a fourth embodiment of the new design.

The broken lines in the drawings are provided to show environmental structure or boundaries that form no part of

(Continued)



the claimed design. The embodiments of FIGS. 1-16 are shown with a symbolic break in the length of the design. The appearance of any portion of the article between the break lines forms no part of the claimed design.

FIG. 17 is the same as FIG. 3 with the symbolic break in the length of the design removed. The remaining views of the third embodiment the same as FIGS. 1, 2 and 4-8 with the symbolic break in the length of the design removed.

FIG. 18 is the same as FIG. 11 with the symbolic break in the length of the design removed. The remaining views of the third embodiment the same as FIGS. 9, 10 and 12-16 with the symbolic break in the length of the design removed.

**1 Claim, 18 Drawing Sheets**

**(58) Field of Classification Search**

CPC .... F21S 8/03; F21S 8/033; F21S 8/036; F21S 8/04; F21S 8/043; F21S 8/06; F21S 8/061; F21S 8/063; F21S 8/086; F21W 2121/1005; F21W 2121/402; F21W 2121/409; F21V 29/76; F21V 29/77; F21V 29/777; F21V 29/78; F21V 21/008; F21V 21/26

See application file for complete search history.

(56)

**References Cited**

U.S. PATENT DOCUMENTS

D762,181	S *	7/2016	Lin	.....	F21V 29/83 D13/179
D784,591	S *	4/2017	Bryant	.....	D26/72
D860,498	S *	9/2019	Engle	.....	D26/72
2009/0284155	A1 *	11/2009	Reed	.....	F21V 23/0442 315/32
2012/0206910	A1 *	8/2012	Watson	.....	F21V 31/005 362/218
2014/0021884	A1 *	1/2014	Fetterly	.....	H05B 33/0854 315/297
2014/0268730	A1 *	9/2014	Lui	.....	F21V 23/008 362/227
2015/0362156	A1 *	12/2015	Chien	.....	F21V 17/002 362/374
2015/0377473	A1 *	12/2015	Ha	.....	F21V 29/713 362/382
2016/0116150	A1 *	4/2016	Kiselev	.....	F21V 3/0625
2016/0281940	A1 *	9/2016	Kim	.....	F21V 19/003
2016/0298913	A1 *	10/2016	Guo	.....	F28F 13/18
2019/0093857	A1 *	3/2019	Zhang	.....	F21V 13/04

\* cited by examiner

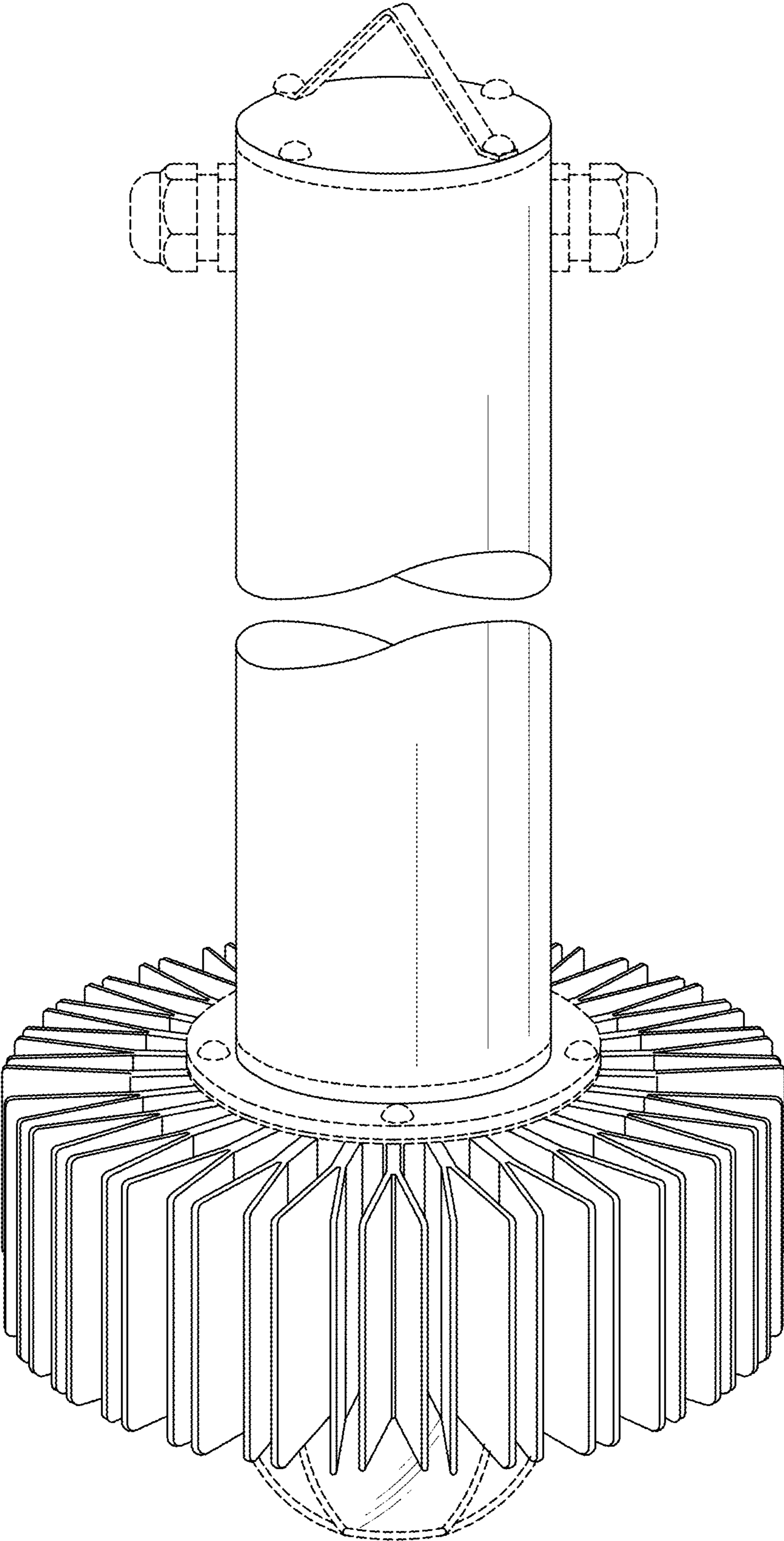


Fig. 1

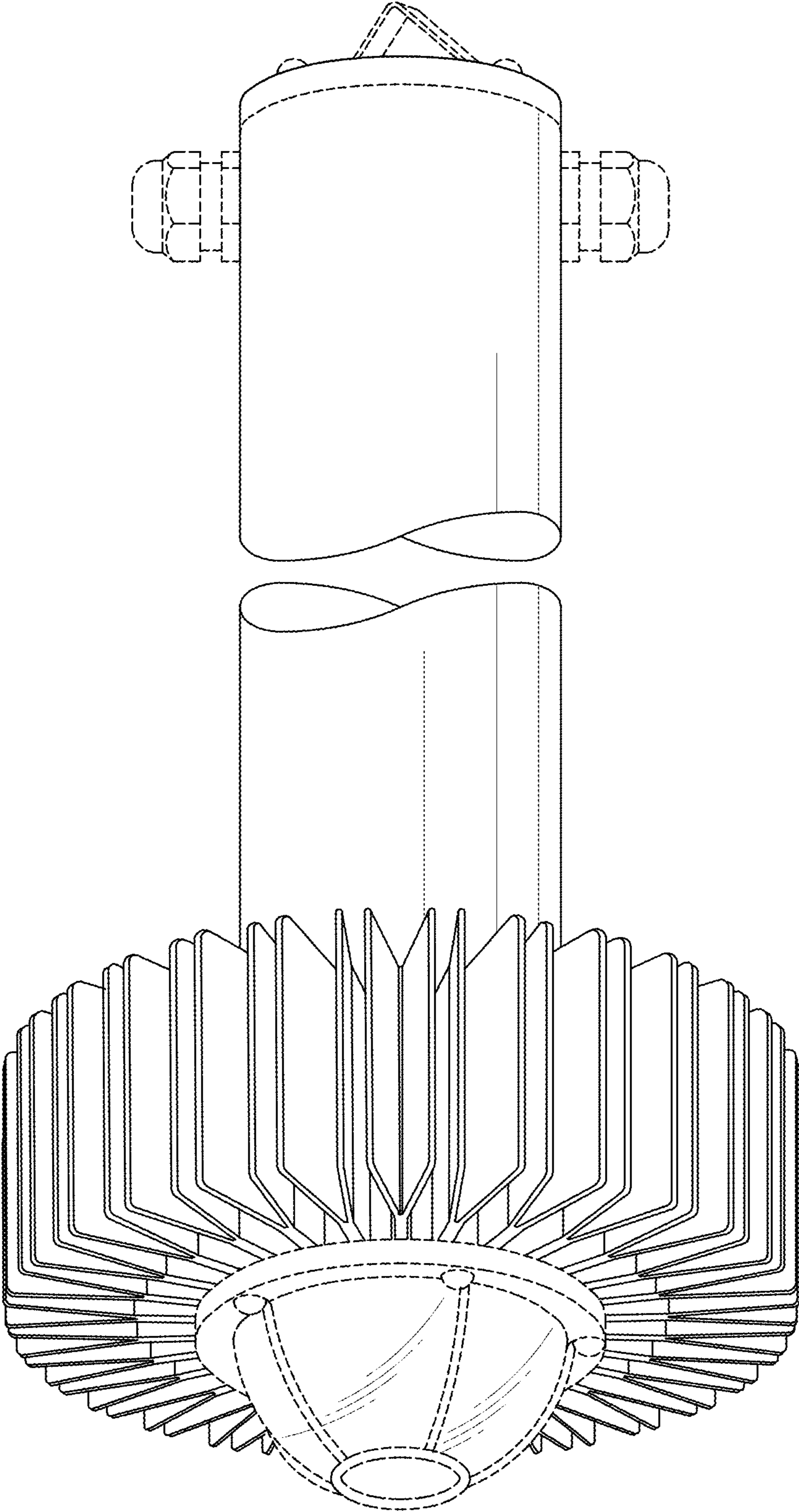


Fig. 2

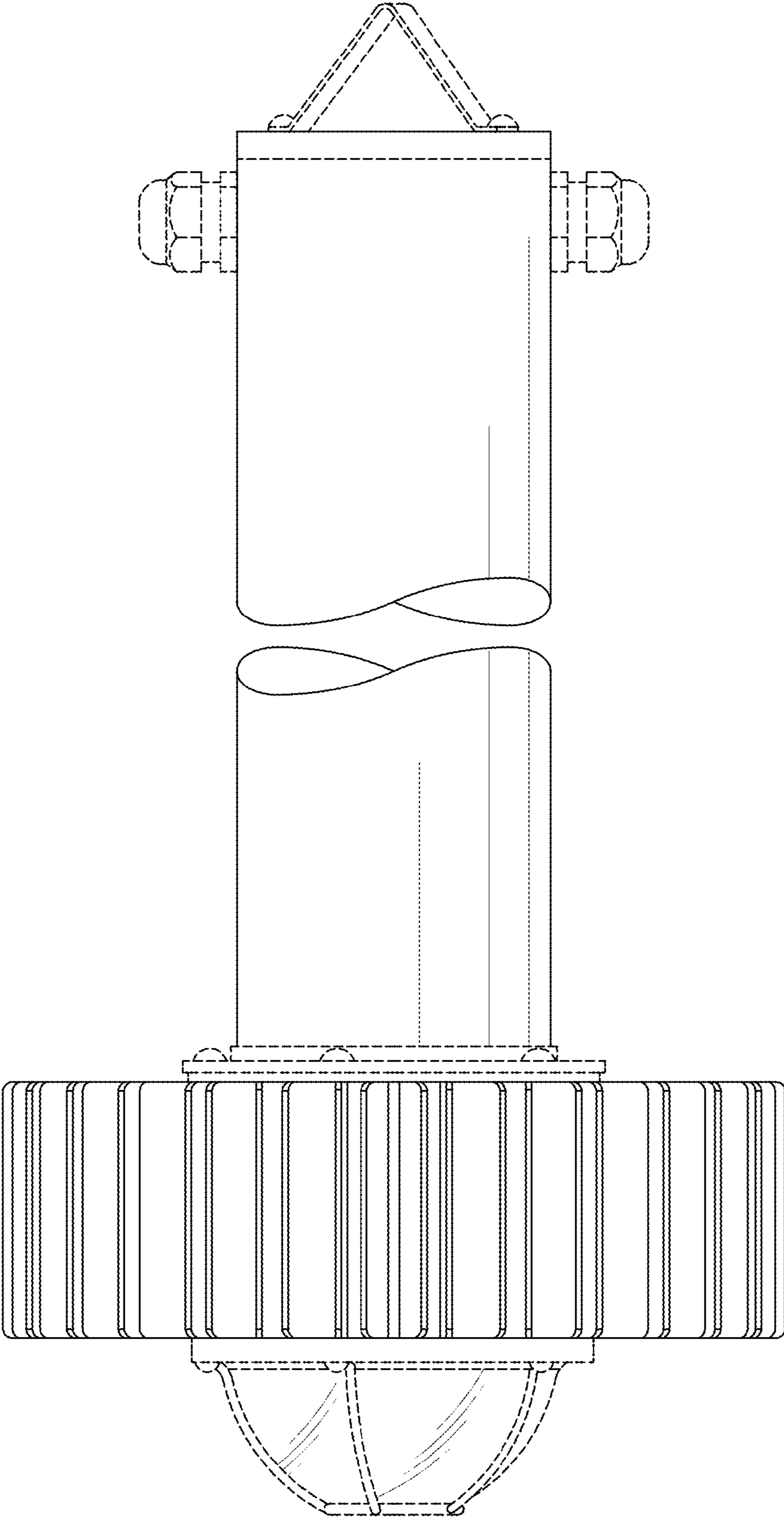


Fig. 3

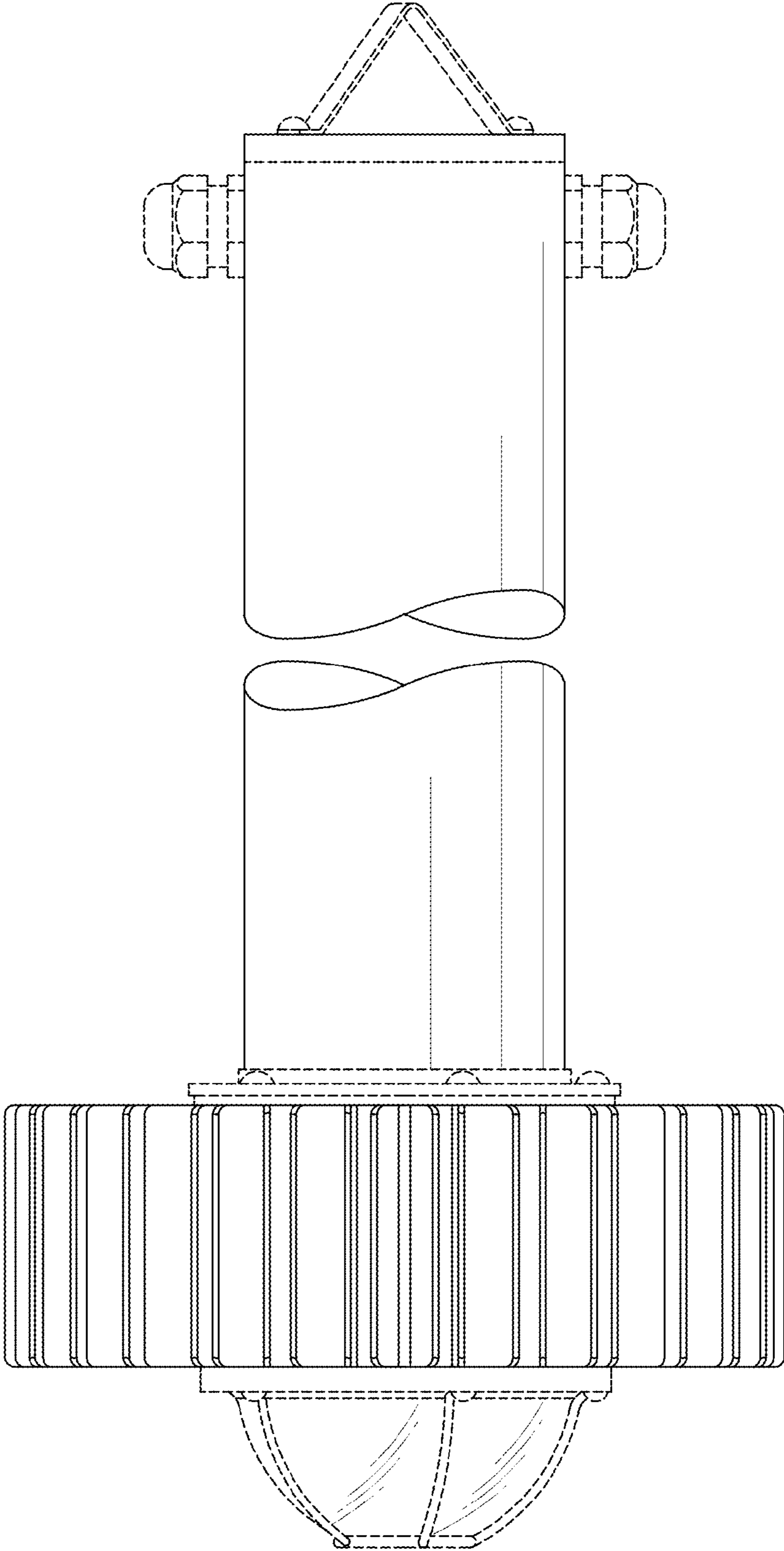


Fig. 4

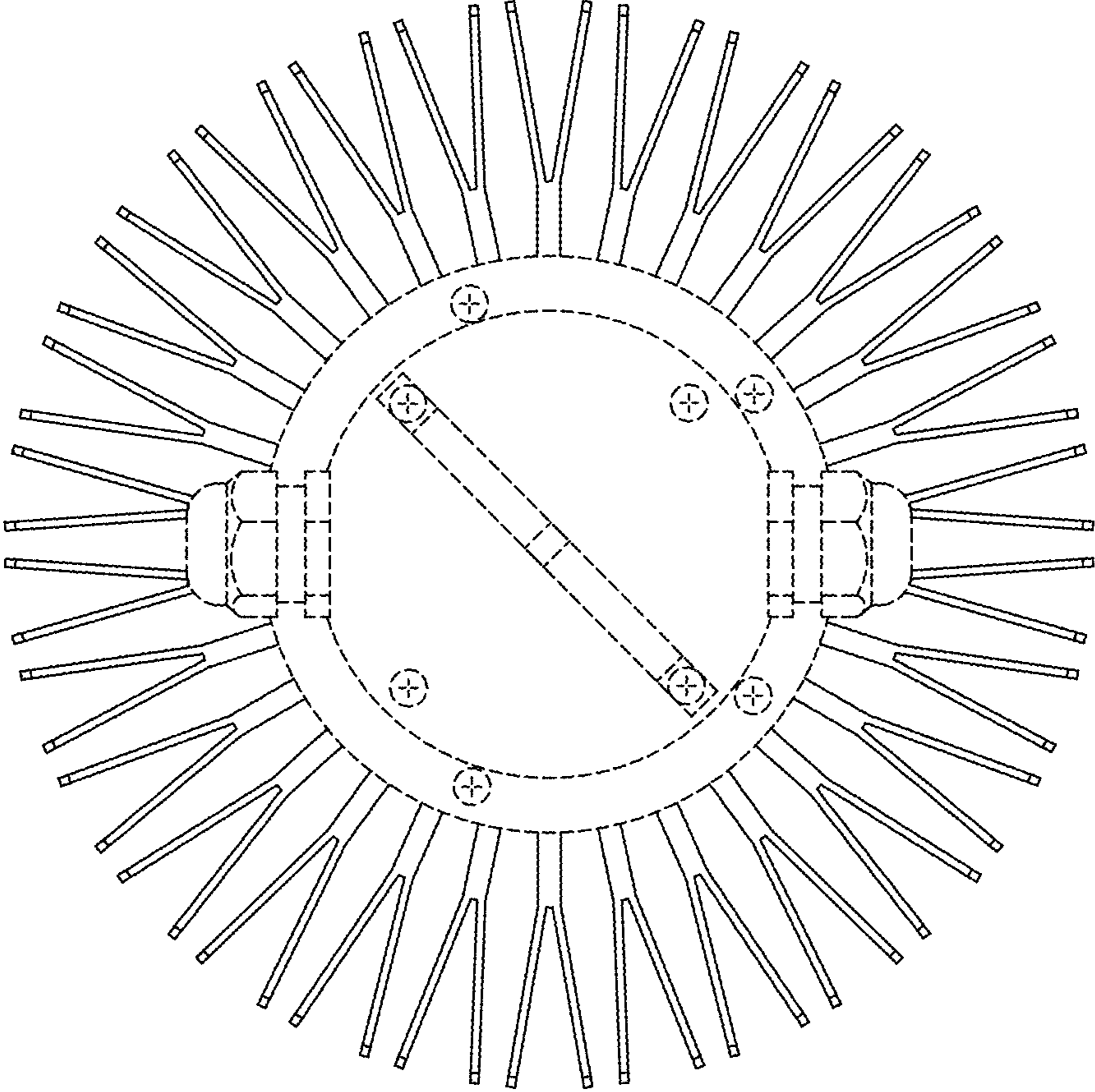


Fig. 5

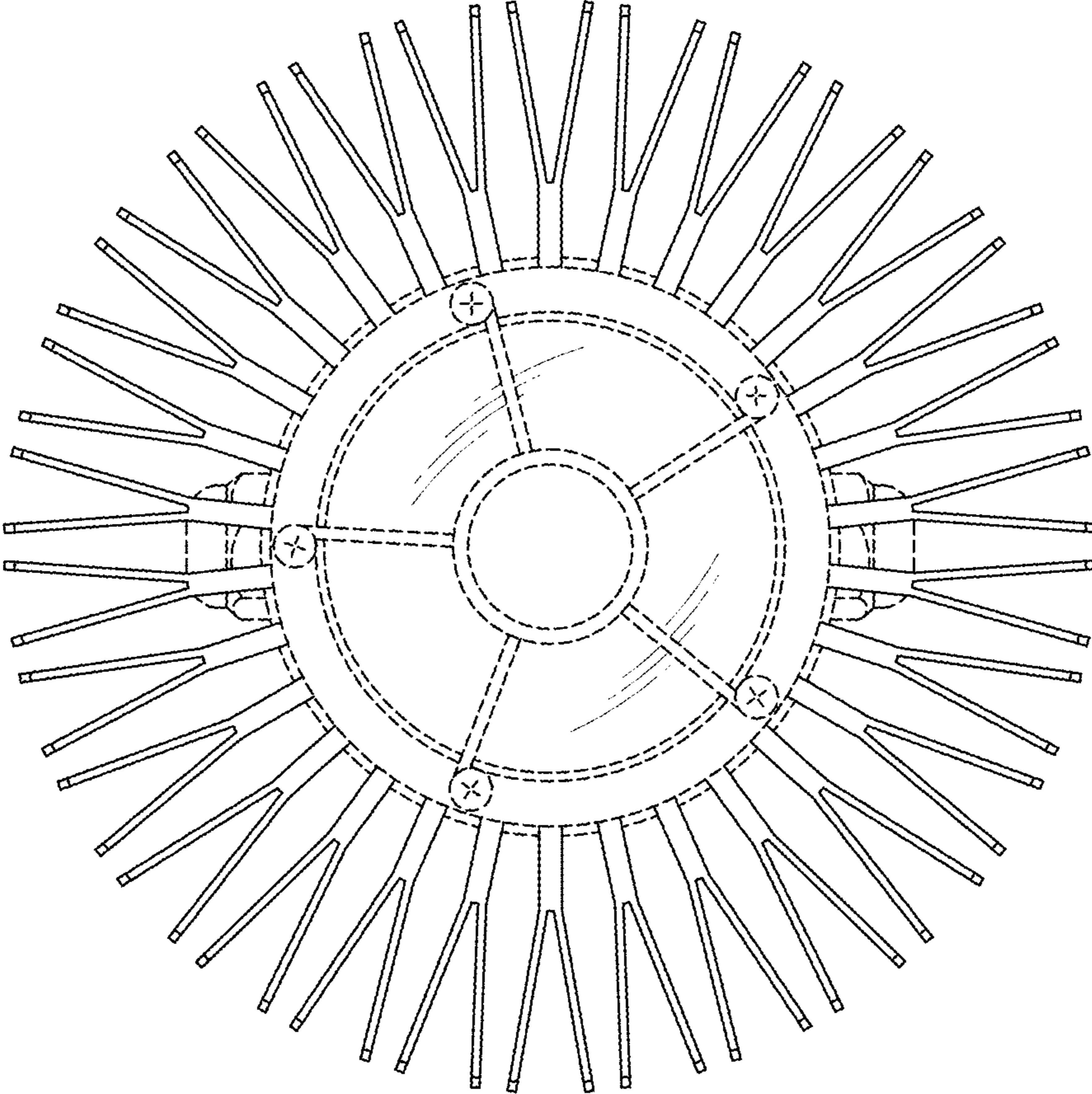


Fig. 6



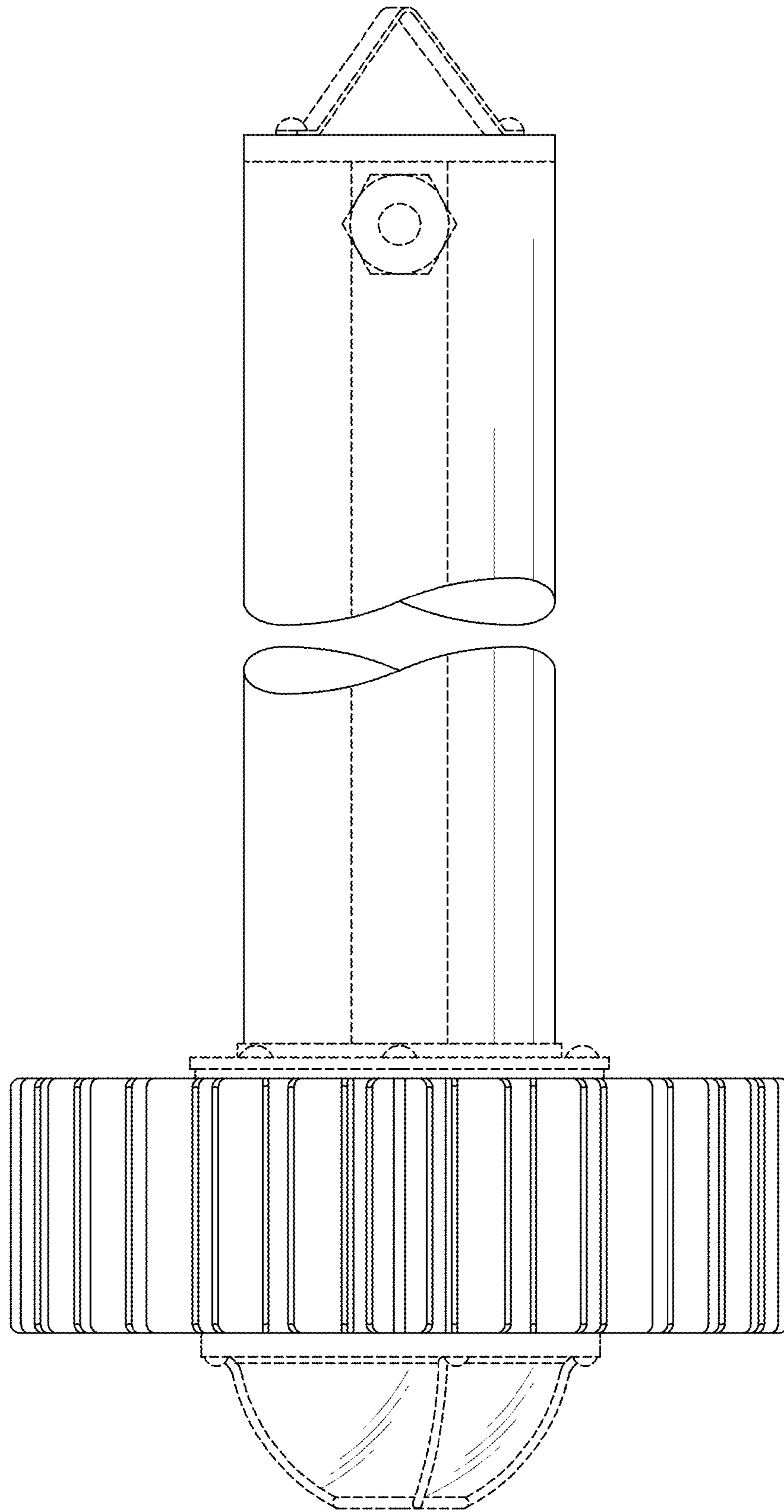


Fig. 7

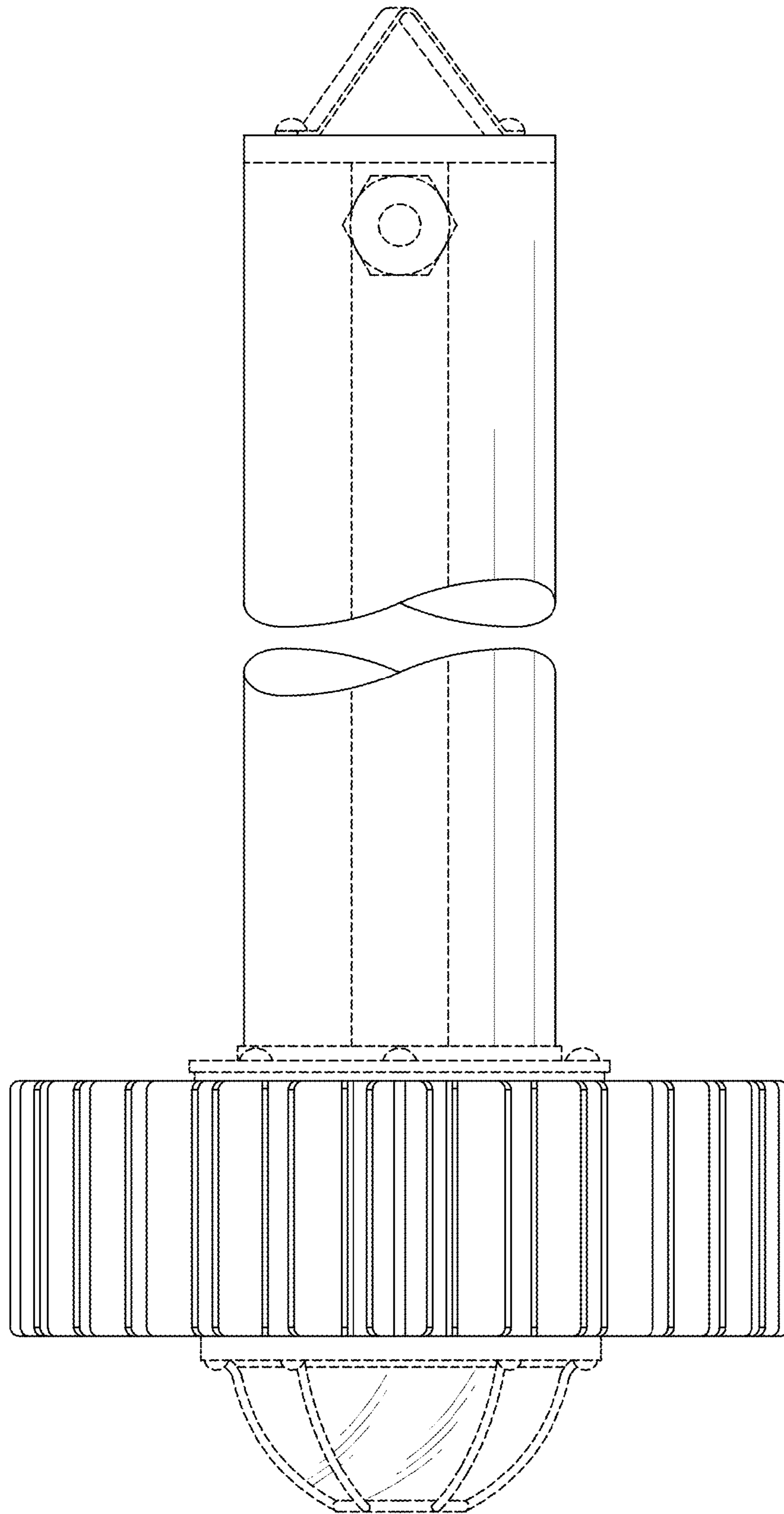


Fig. 8

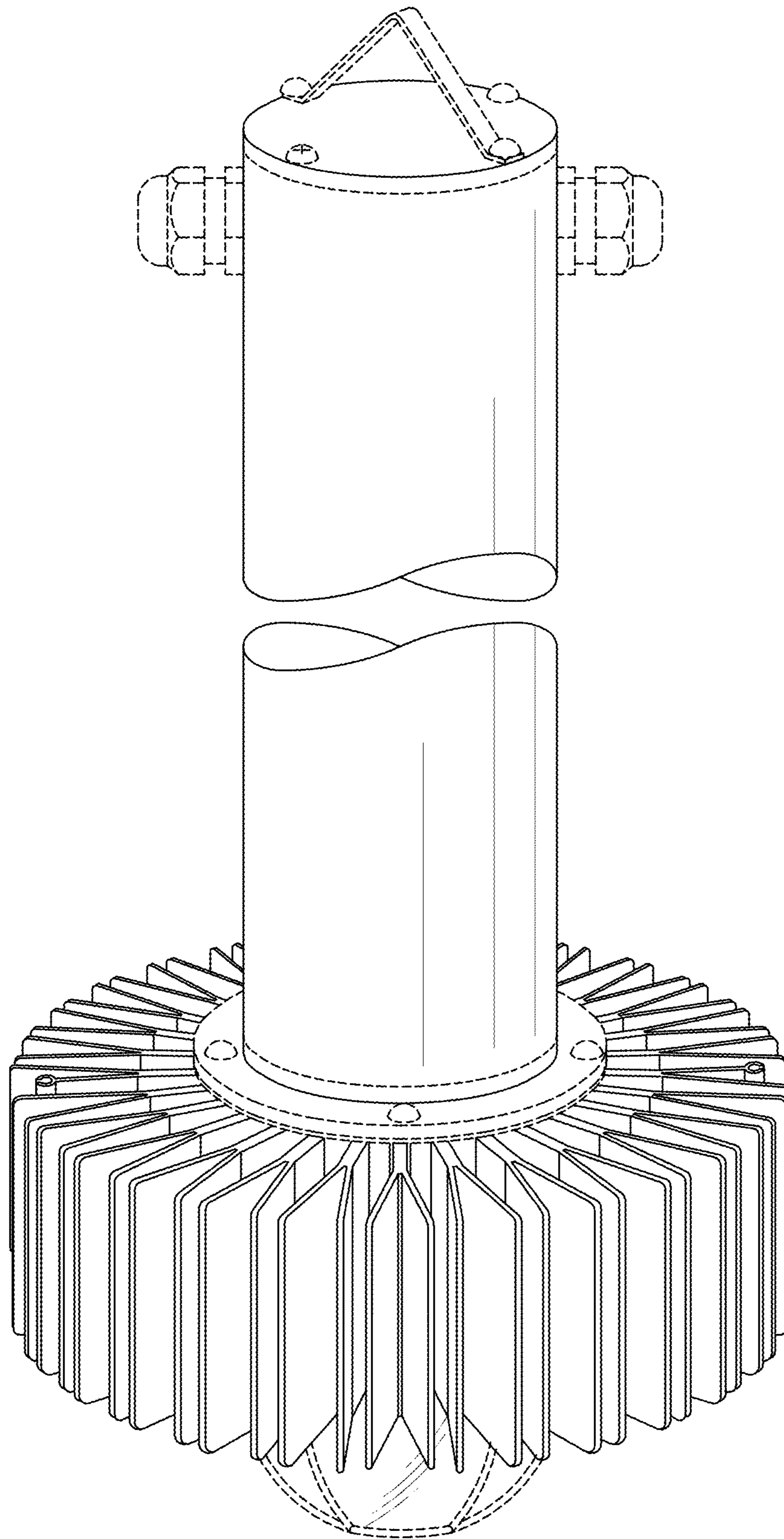


Fig. 9

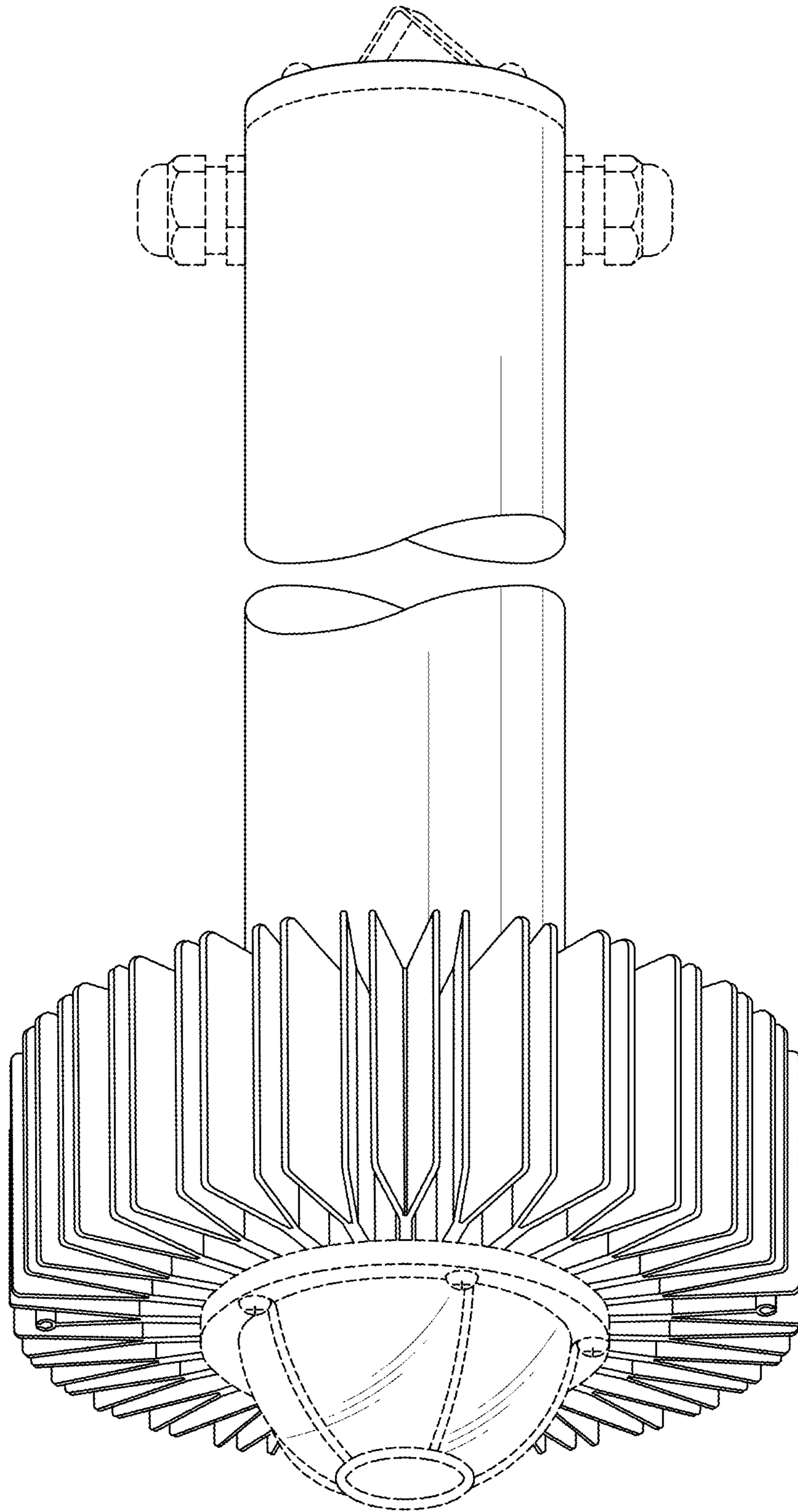


Fig. 10

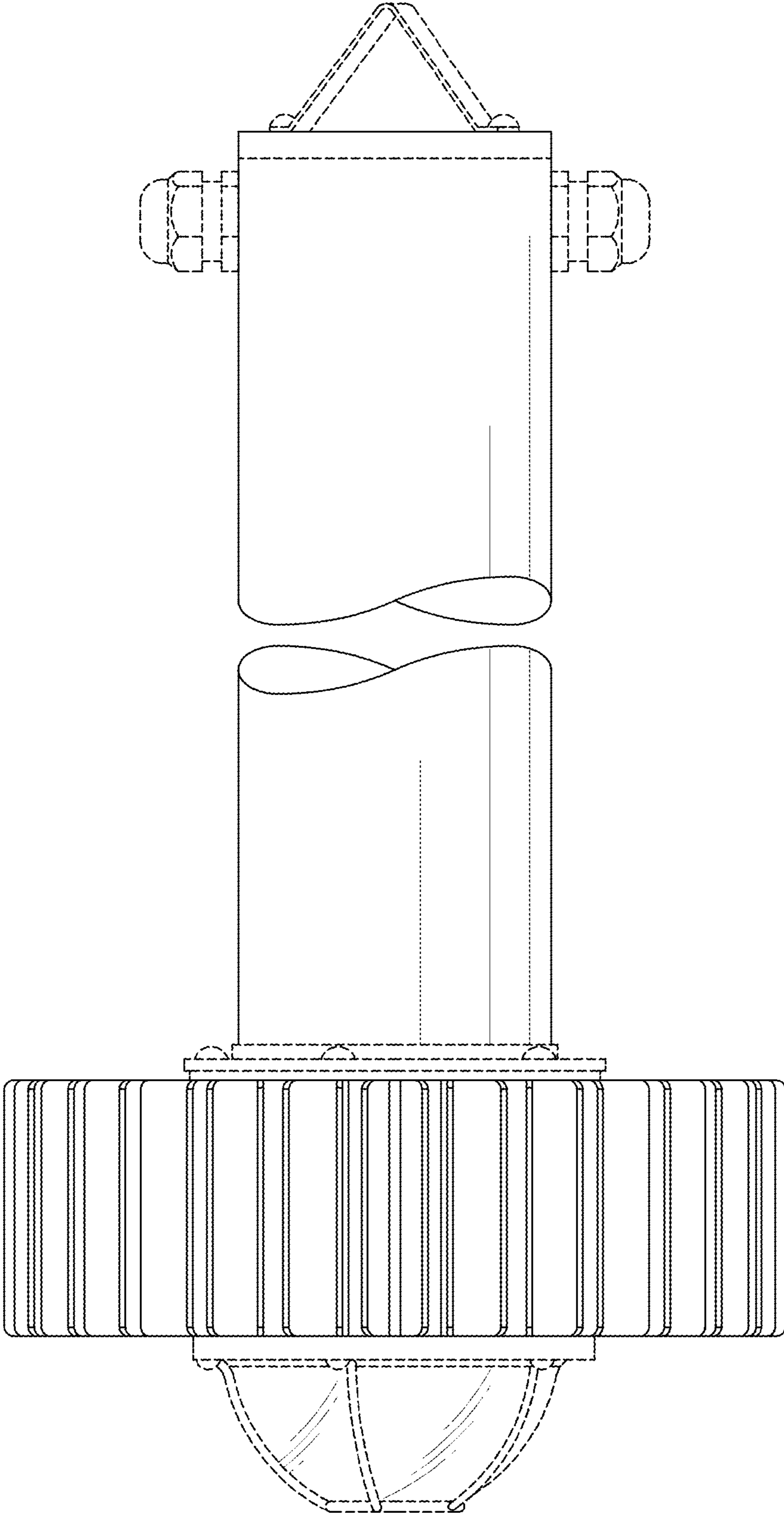


Fig. 11

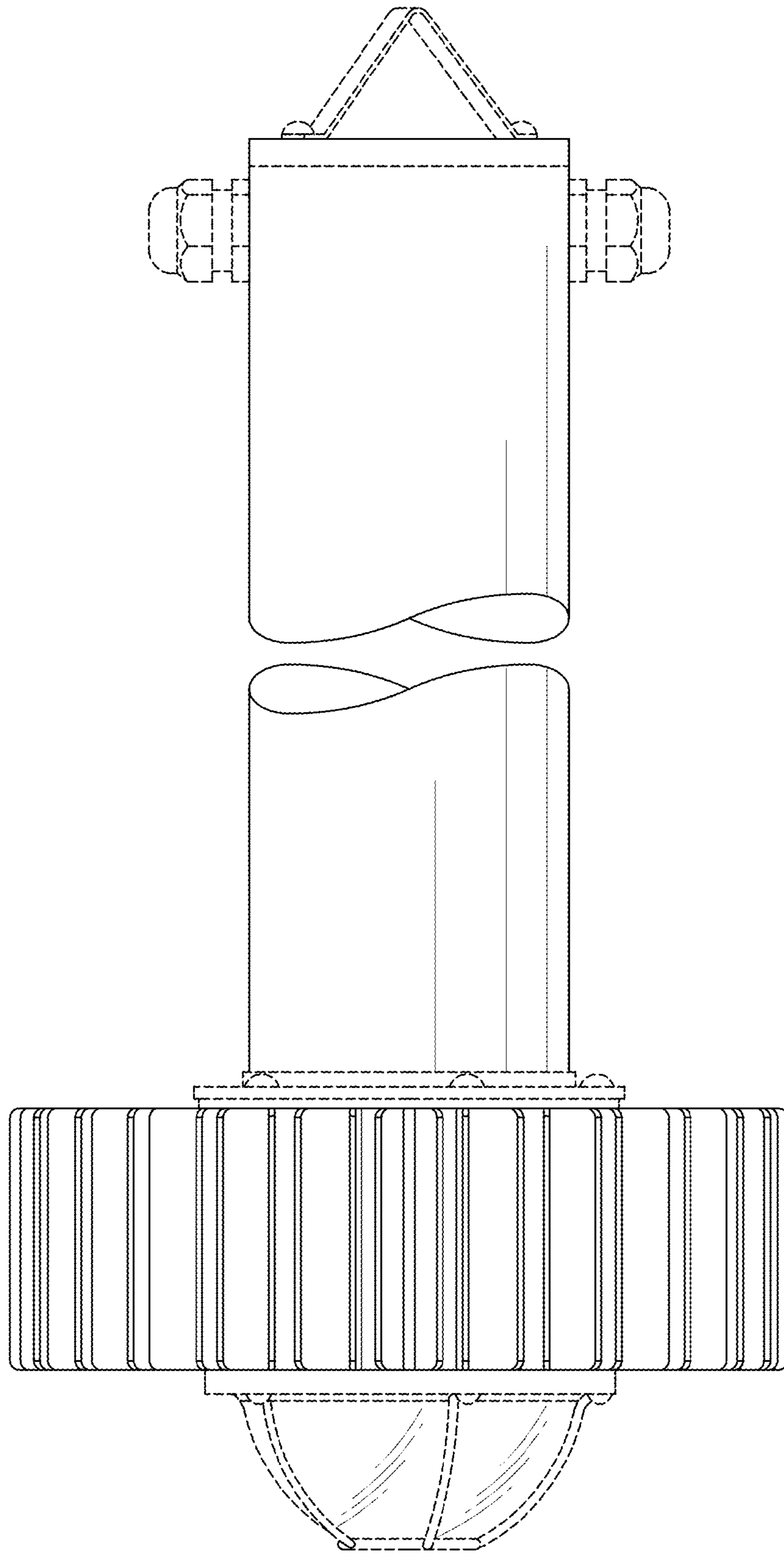


Fig. 12

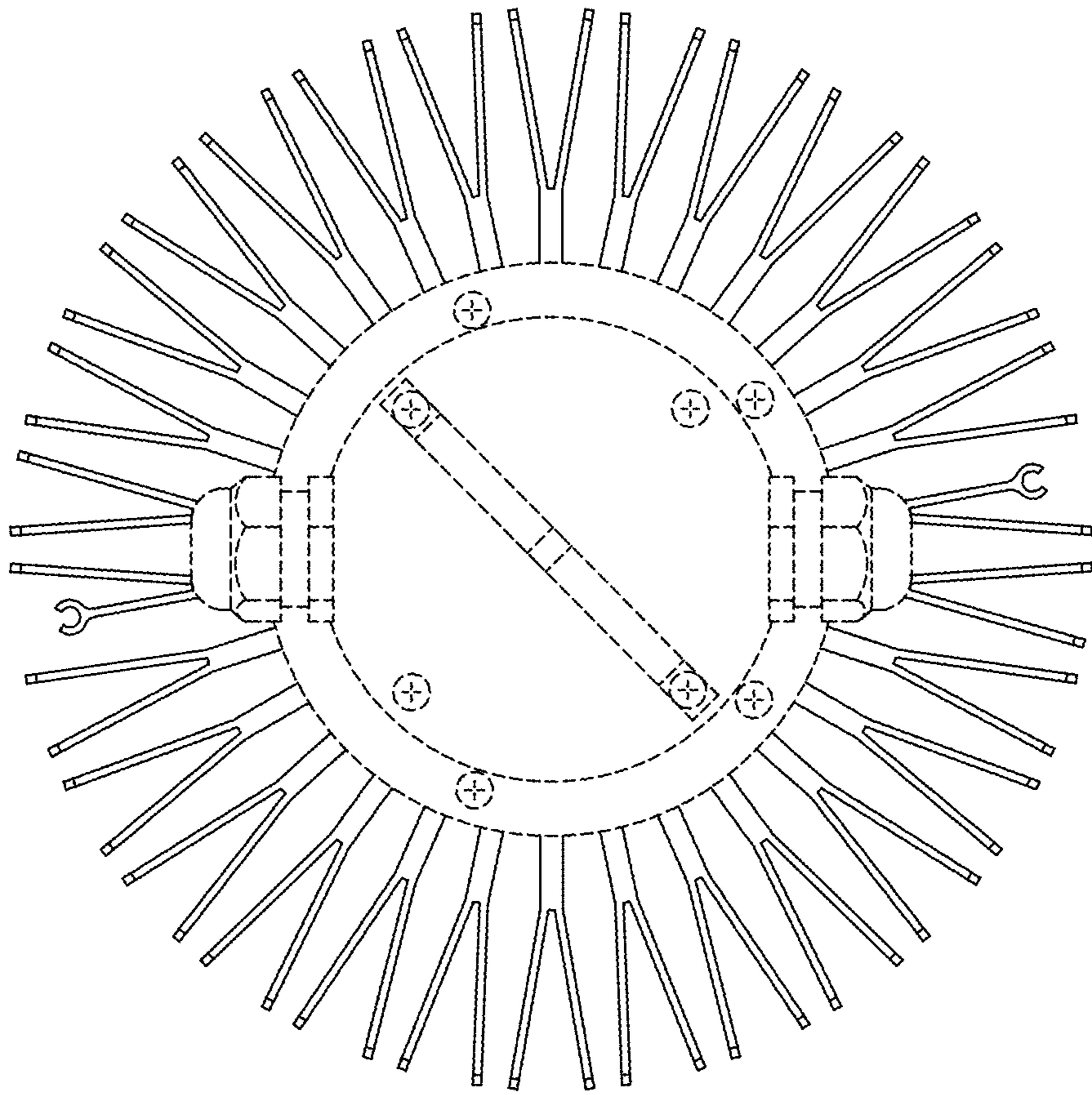


Fig. 13

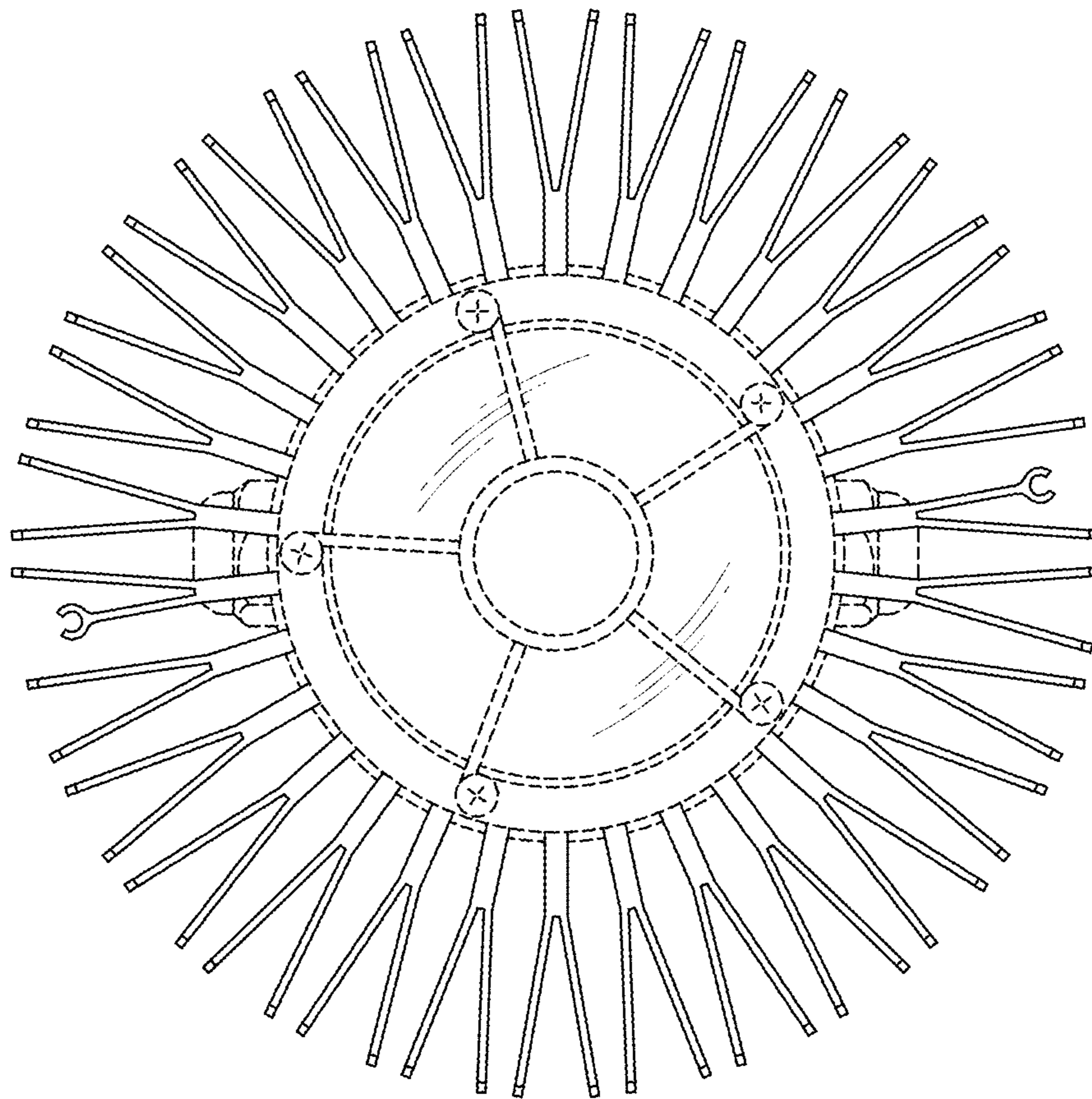


Fig. 14



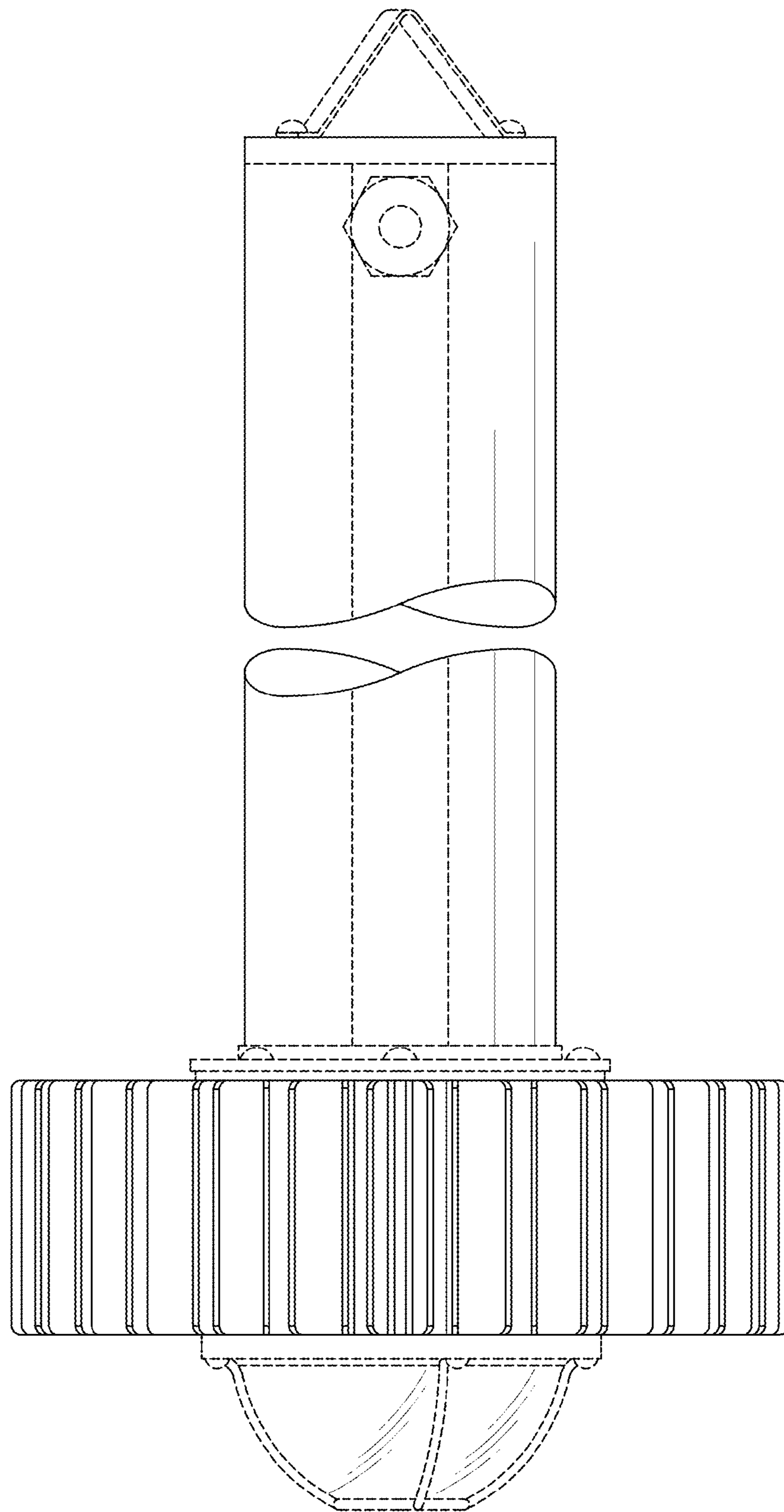


Fig. 15

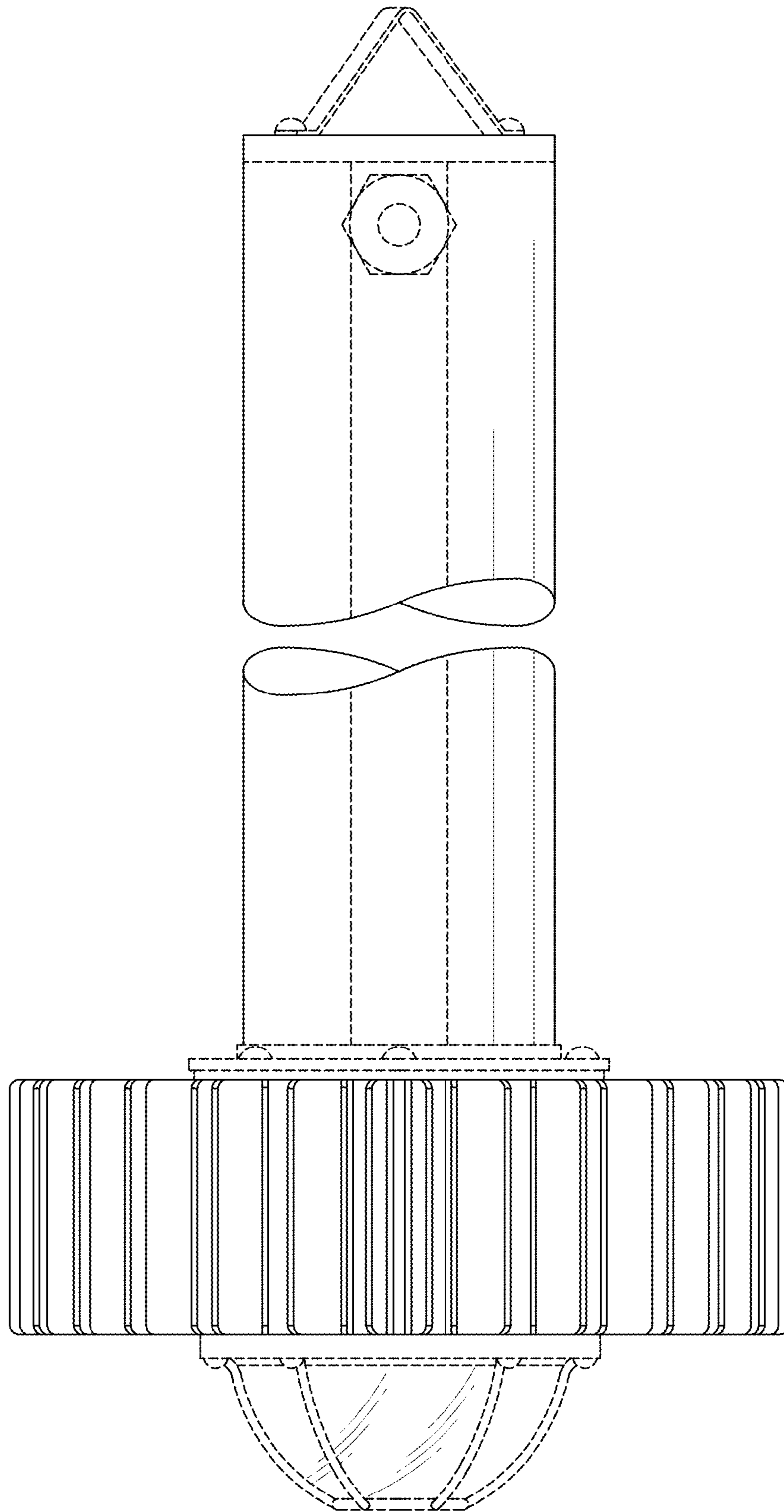


Fig. 16

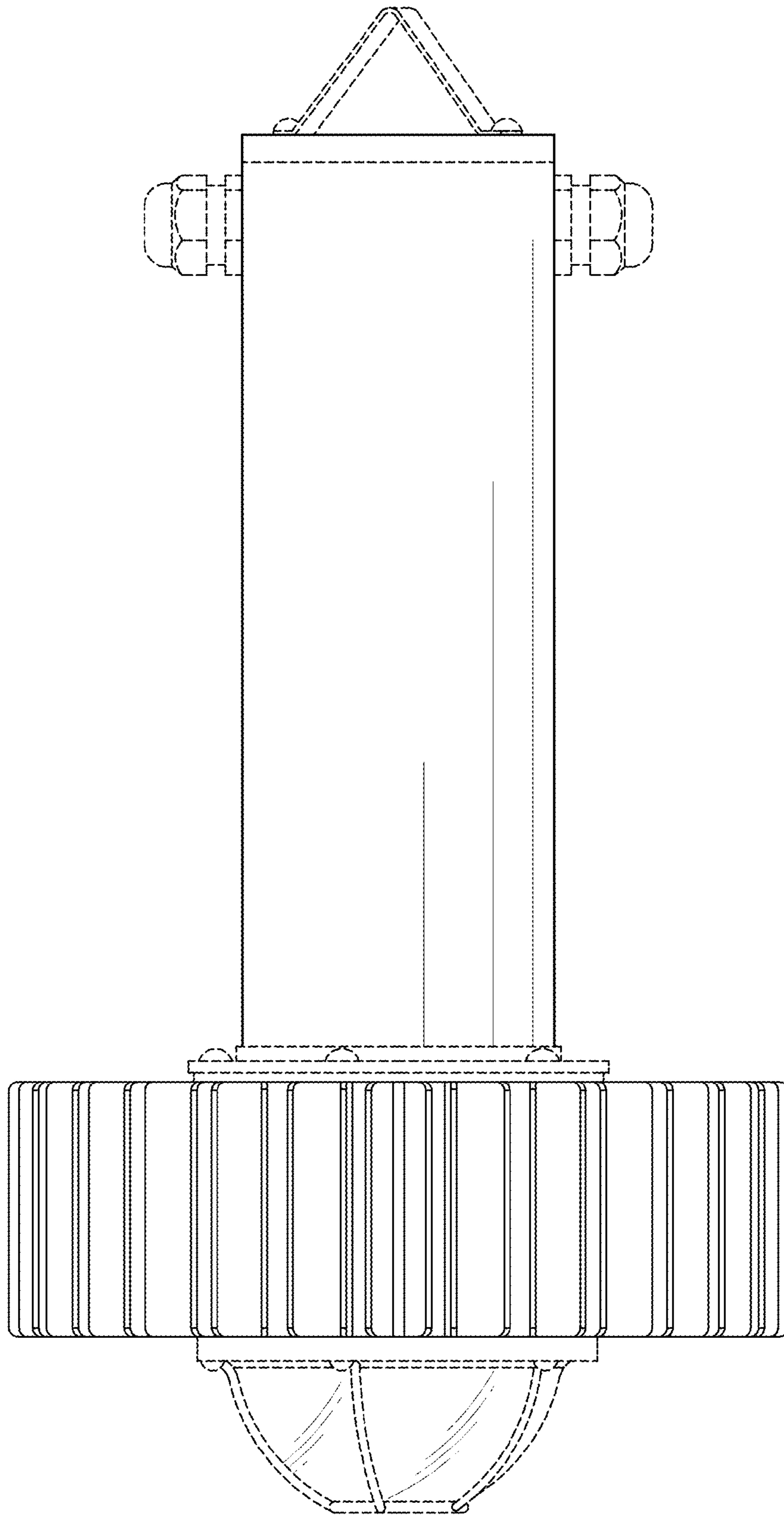


Fig. 17

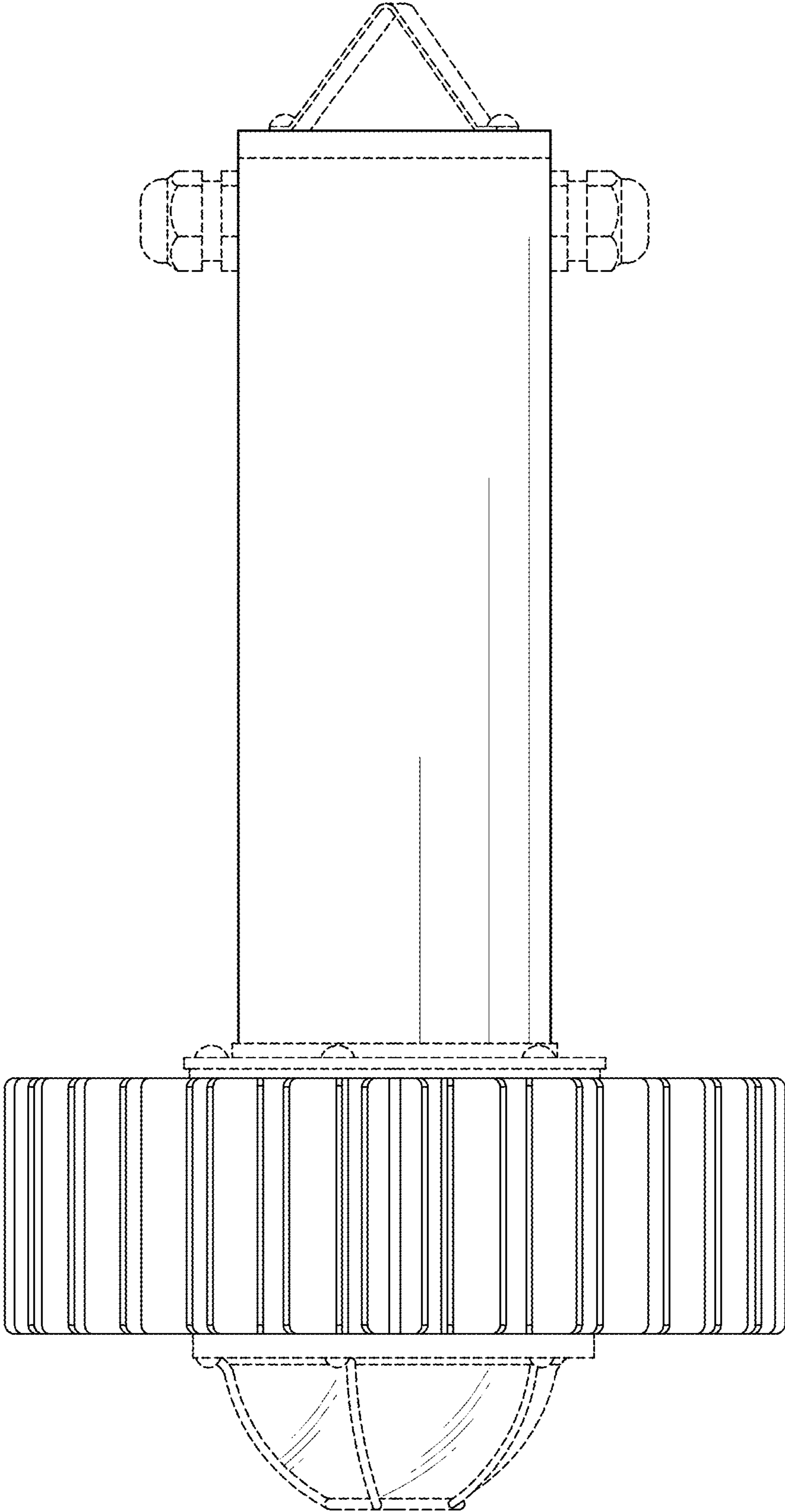


Fig. 18