



US00D880747S

(12) **United States Design Patent**
Meise

(10) **Patent No.:** **US D880,747 S**

(45) **Date of Patent:** **** Apr. 7, 2020**

(54) **LIGHT FIXTURE**

(71) Applicant: **Axel & Susann Meise**
Beteiligungsgesellschaft mbH,
Steinebach (DE)

(72) Inventor: **Axel Meise,** Munich (DE)

(73) Assignee: **Axel & Susann Meise**
Beteiligungsgesellschaft mbH,
Starnberg (DE)

(**) Term: **15 Years**

(21) Appl. No.: **29/653,222**

(22) Filed: **Jun. 13, 2018**

(30) **Foreign Application Priority Data**

Dec. 13, 2017 (EM) 004546638-0002

(51) **LOC (12) Cl.** **26-03**

(52) **U.S. Cl.**
USPC **D26/72**

(58) **Field of Classification Search**
USPC D26/72, 84, 88, 90, 118
CPC F21S 8/03; F21S 8/033; F21S 8/036; F21S
8/04; F21S 8/043; F21S 8/046; F21S
8/06; F21S 8/061; F21S 8/063; F21S
8/065; F21S 8/068; F21V 1/04; F21V
1/06; F21V 1/12; F21V 3/02; F21V 5/06

See application file for complete search history.

(56) **References Cited**

U.S. PATENT DOCUMENTS

D386,801 S *	11/1997	Orgovan	D26/72
D601,745 S *	10/2009	Sabernig	D26/90
D695,445 S *	12/2013	Panchisin	D26/118
D760,421 S *	6/2016	Zahn	D26/88
D828,612 S *	9/2018	Silver	D26/90
D847,400 S *	4/2019	Arslan	D26/90

* cited by examiner

Primary Examiner — Brian N. Vinson

(74) *Attorney, Agent, or Firm* — Winstead PC

(57) **CLAIM**

The ornamental design for a light fixture, as shown and described.

DESCRIPTION

FIG. 1 is a perspective view of a light fixture in accordance with the design;

FIG. 2 is a front perspective view thereof;

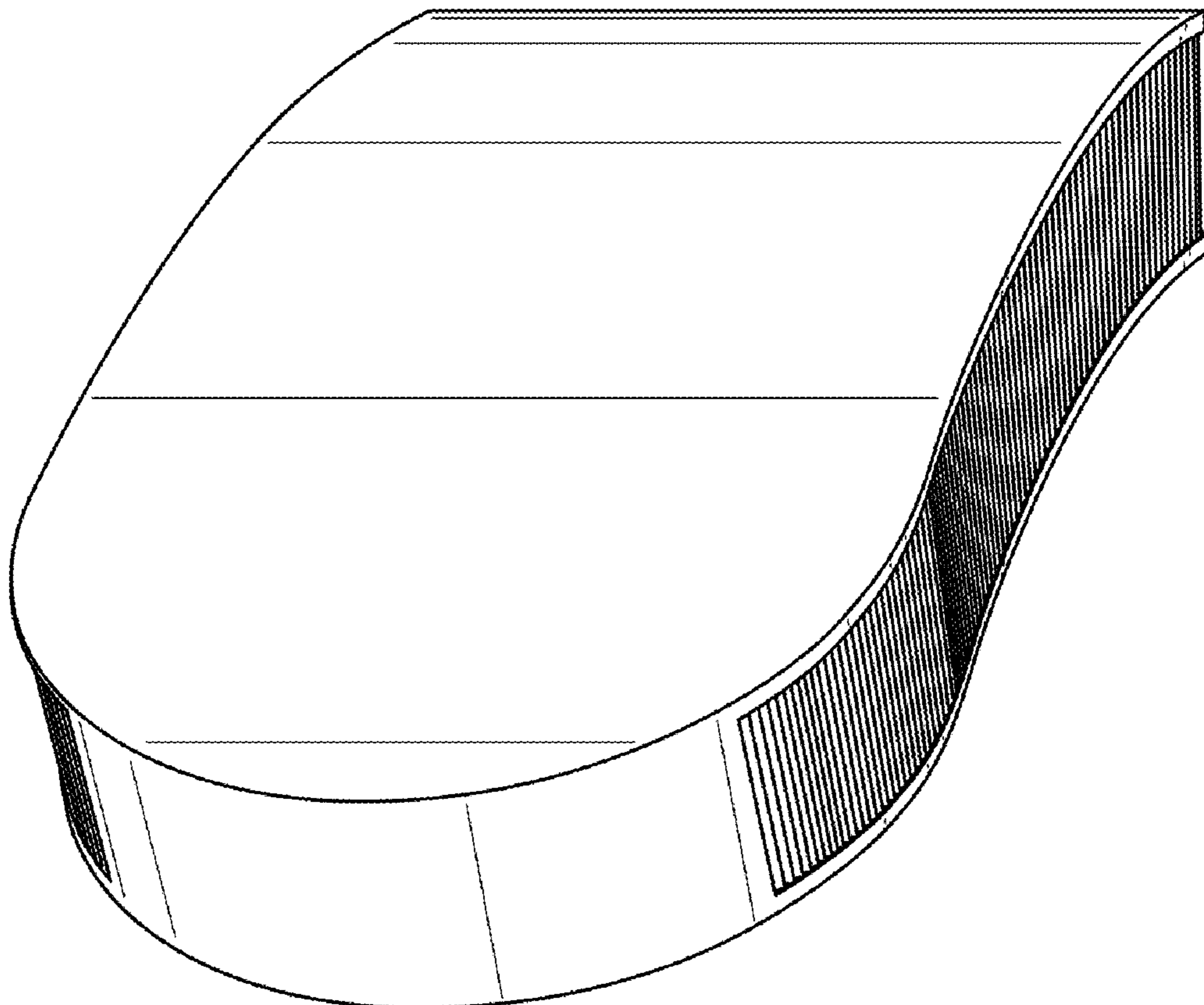
FIG. 3 is a top plan view thereof;

FIG. 4 is a right side view thereof; and,

FIG. 5 is a left side view thereof.

Any broken lines present in the drawings are for illustrative purposes only and form no part of the design to be patented.

1 Claim, 5 Drawing Sheets



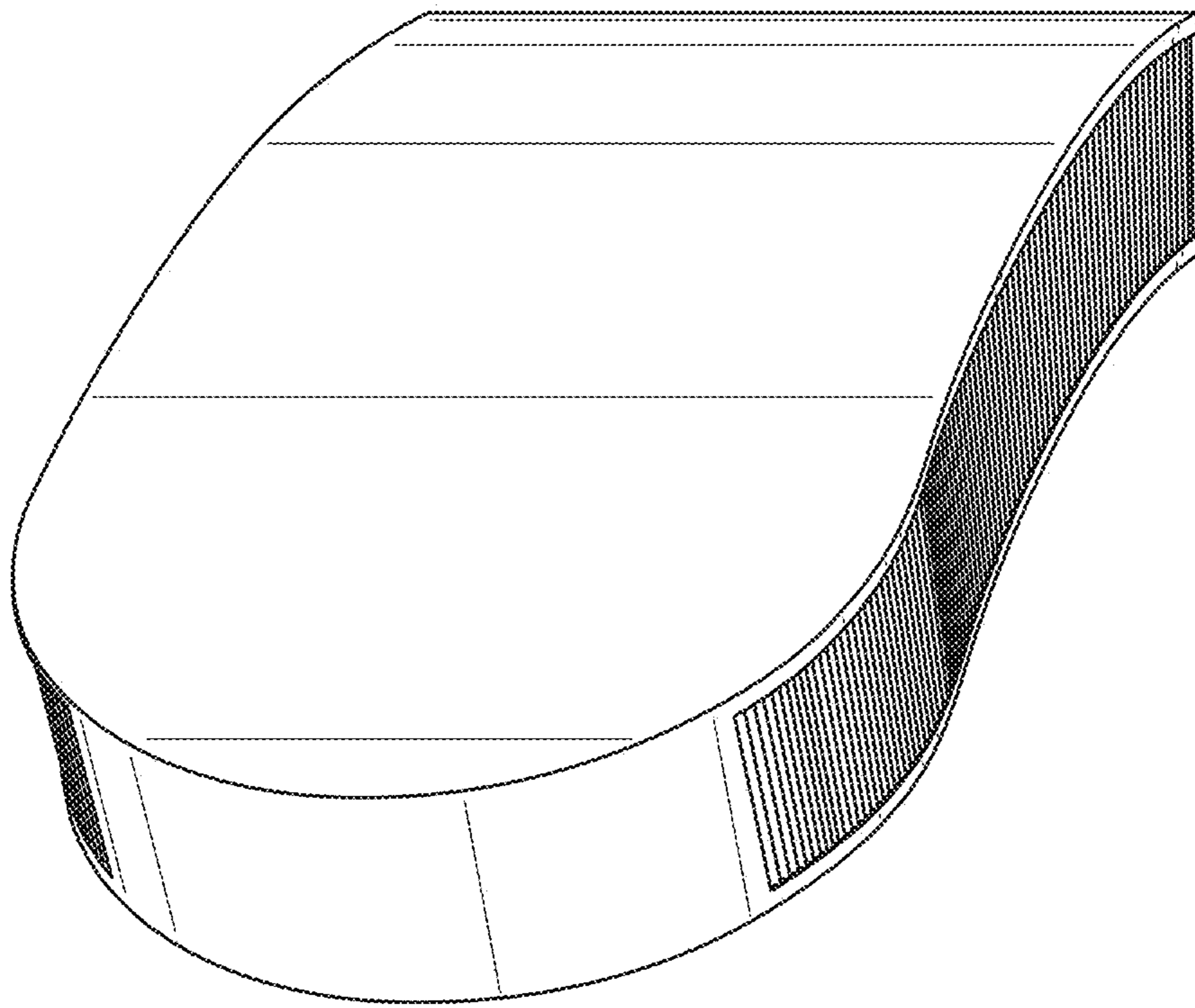


FIG. 1

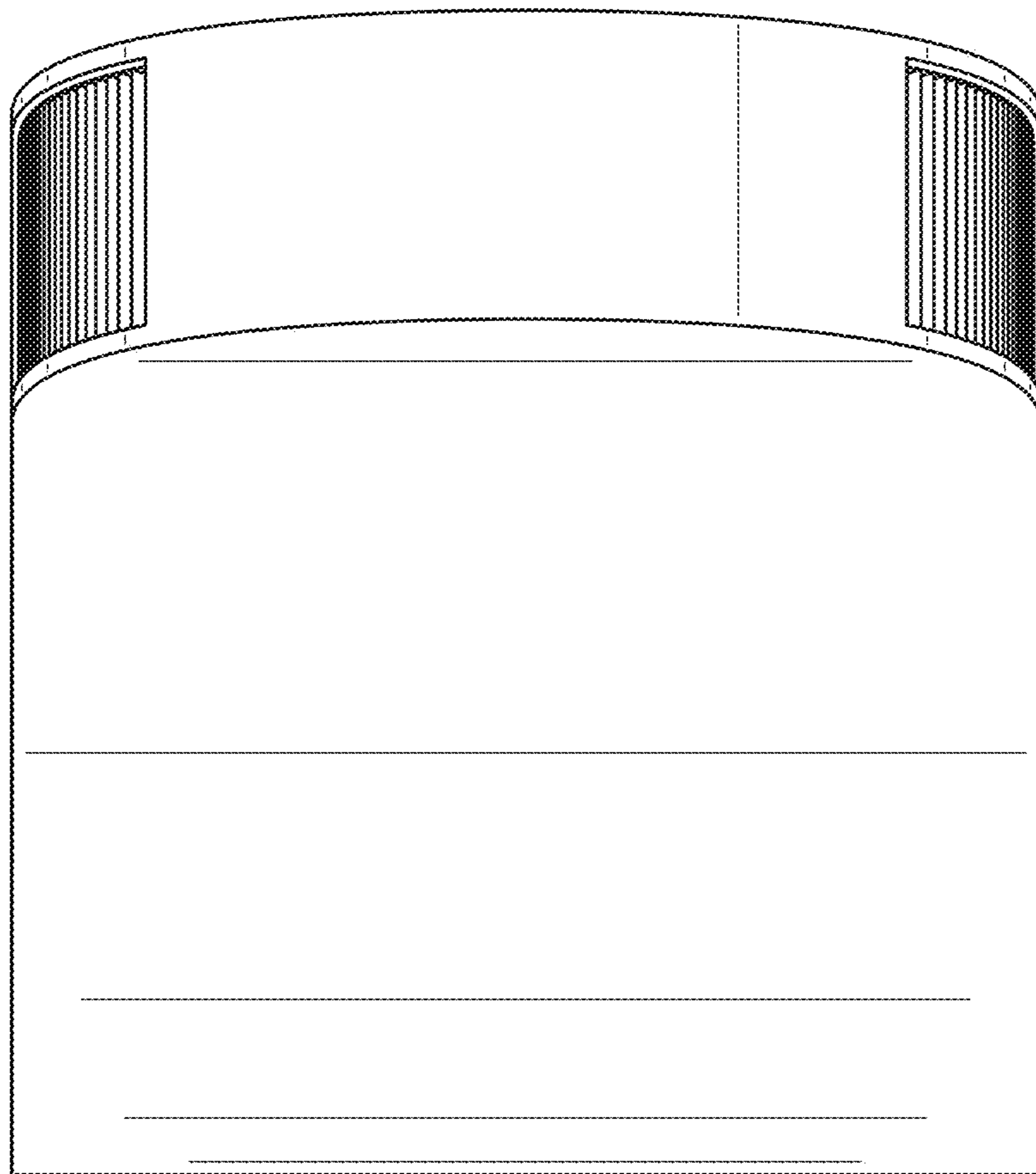


FIG. 2

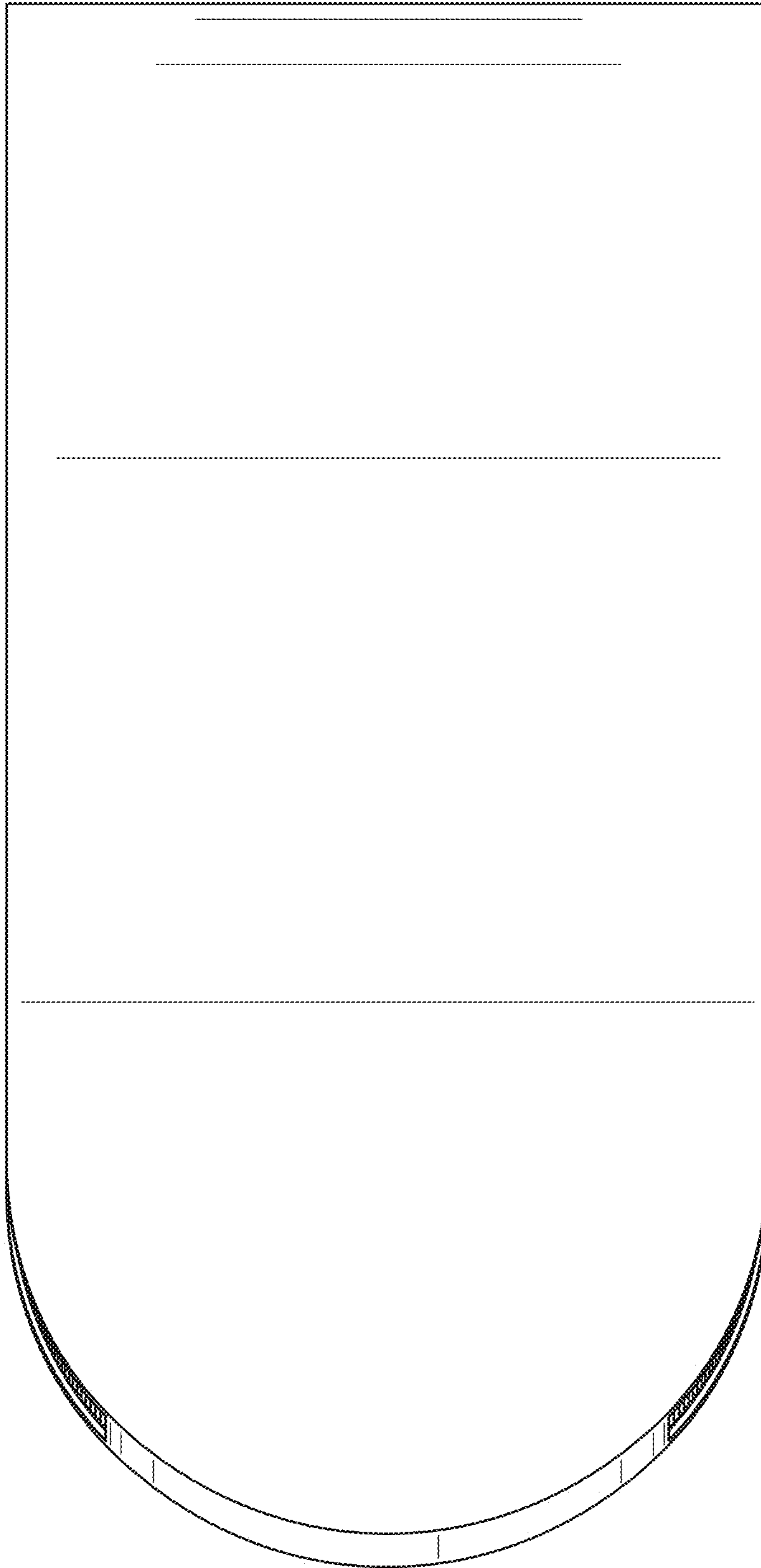


FIG. 3

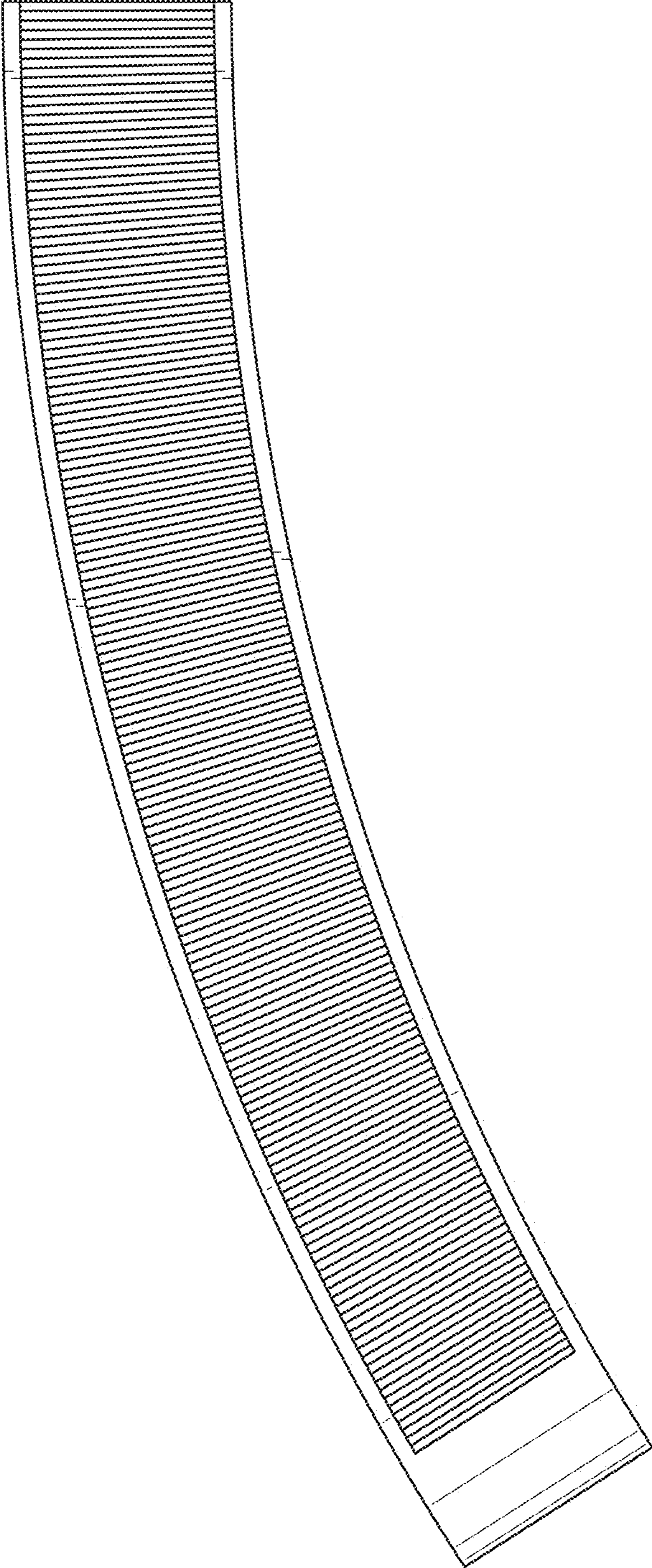


FIG. 4

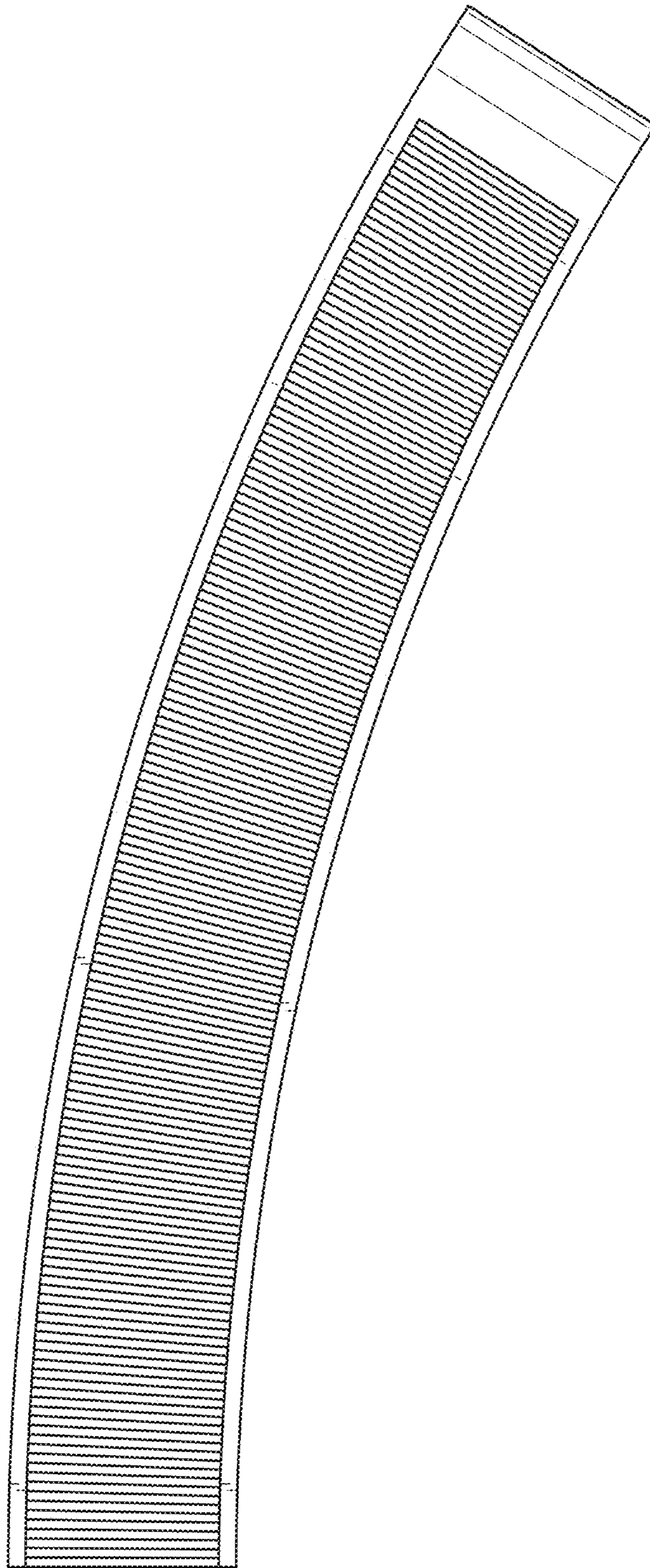


FIG. 5