



US00D880743S

(12) **United States Design Patent**  
**Qiu**

(10) **Patent No.:** **US D880,743 S**

(45) **Date of Patent:** **\*\* Apr. 7, 2020**

(54) **WORK LIGHT**

(71) Applicant: **NINGBO FUTAI ELECTRIC LIMITED**, Ningbo, Zhejiang (CN)

(72) Inventor: **Fujun Qiu**, Ningbo (CN)

(73) Assignee: **Ningbo Futai Electric Limited**, Ningbo (CN)

(\*\*) Term: **15 Years**

(21) Appl. No.: **29/665,361**

(22) Filed: **Oct. 2, 2018**

(51) **LOC (12) Cl.** ..... **26-05**

(52) **U.S. Cl.**  
USPC ..... **D26/63; D26/61**

(58) **Field of Classification Search**  
USPC ... D26/1, 24, 37, 41, 44, 49, 51, 60, 61, 63,  
D26/65, 85, 92, 119

CPC ..... F21V 21/00; F21V 21/06; F21V 21/08;  
F21V 21/14; F21V 21/26; F21V 21/30;  
F21V 3/00; F21V 5/00; F21S 8/00; F21S  
8/08; F21S 8/003; F21S 8/043; F21L  
4/00; F21L 4/02; F21L 4/04; F21L 4/08;  
F21L 4/005; F21L 4/025; F21L 4/027

See application file for complete search history.

(56) **References Cited**

**U.S. PATENT DOCUMENTS**

D638,153	S	*	5/2011	Christ	.....	D26/42
D700,382	S	*	2/2014	Christ	.....	D26/41
D763,492	S	*	8/2016	Bryant	.....	D26/37
10,072,829	B1	*	9/2018	Christ	.....	F21L 4/04
D834,232	S	*	11/2018	Green	.....	D26/65
D835,315	S	*	12/2018	Zhu	.....	D26/44
D843,626	S	*	3/2019	Green	.....	D26/65
D843,627	S	*	3/2019	Green	.....	D26/65
D844,207	S	*	3/2019	Zhang	.....	D26/63

D844,208	S	*	3/2019	You	.....	D26/63
D854,718	S	*	7/2019	Yuan	.....	D26/63
D855,854	S	*	8/2019	Cao	.....	D26/63
D858,844	S	*	9/2019	Fang	.....	D26/63
D861,946	S	*	10/2019	Green	.....	D26/65
10,429,013	B1	*	10/2019	Fang	.....	F21L 2/00
D866,027	S	*	11/2019	Cacciabeve	.....	D26/37
2013/0329430	A1	*	12/2013	Christ	.....	F21L 4/08 362/249.03

(Continued)

*Primary Examiner* — Wan Laymon

*Assistant Examiner* — Clint A Samuel

(74) *Attorney, Agent, or Firm* — Raymond Y. Chan;  
David and Raymond Patent Firm

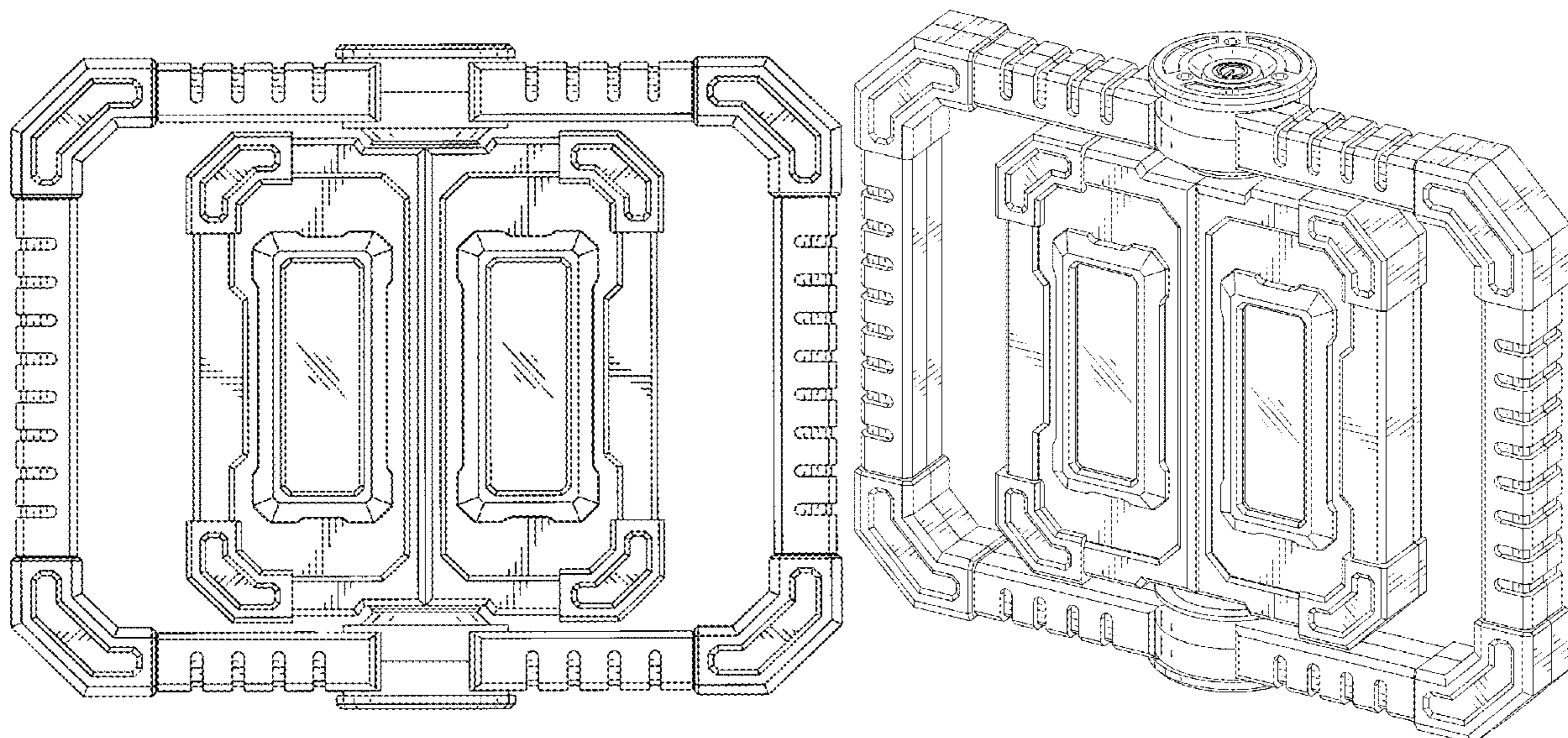
(57) **CLAIM**

The ornamental design for a work light, as shown and described.

**DESCRIPTION**

FIG. 1 is a front view of the work light of my new design; FIG. 2 is a rear view thereof; FIG. 3 is a left view thereof; FIG. 4 is a right view thereof; FIG. 5 is a top view thereof; FIG. 6 is a bottom view thereof; FIG. 7 is a front perspective view thereof; FIG. 8 is a rear perspective view thereof; FIG. 9 is a bottom perspective view thereof; FIG. 10 is a front perspective view thereof, illustrating two outer handles being pivotally folded to overlap with each other and two inner light bodies being pivotally folded to overlap with each other; FIG. 11 is a front perspective view thereof, illustrating only two outer handles being pivotally folded to overlap with each other while two inner light bodies being unfolded; and, FIG. 12 is a front perspective view thereof, illustrating only one of the outer handles being pivotally folded.

**1 Claim, 12 Drawing Sheets**



(56)

**References Cited**

U.S. PATENT DOCUMENTS

2014/0334155 A1\* 11/2014 Christ ..... F21L 4/08  
362/249.03  
2017/0108197 A1\* 4/2017 Cacciabeve ..... F21V 15/04  
2019/0093867 A1\* 3/2019 Qiu ..... F21V 21/406  
2019/0285256 A1\* 9/2019 Hong ..... F21S 6/005  
2019/0285257 A1\* 9/2019 Gall ..... F21V 21/145

\* cited by examiner



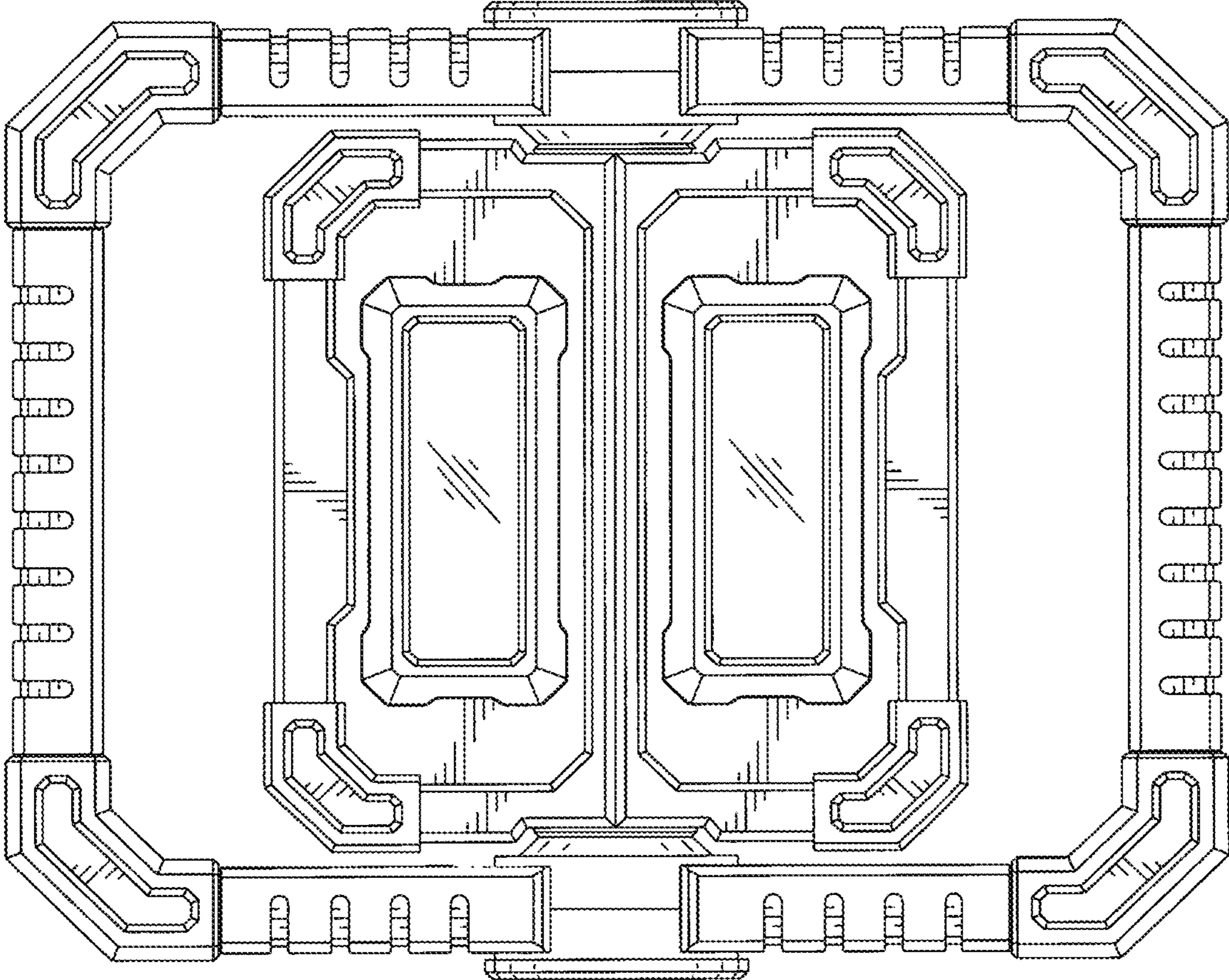


FIG.1

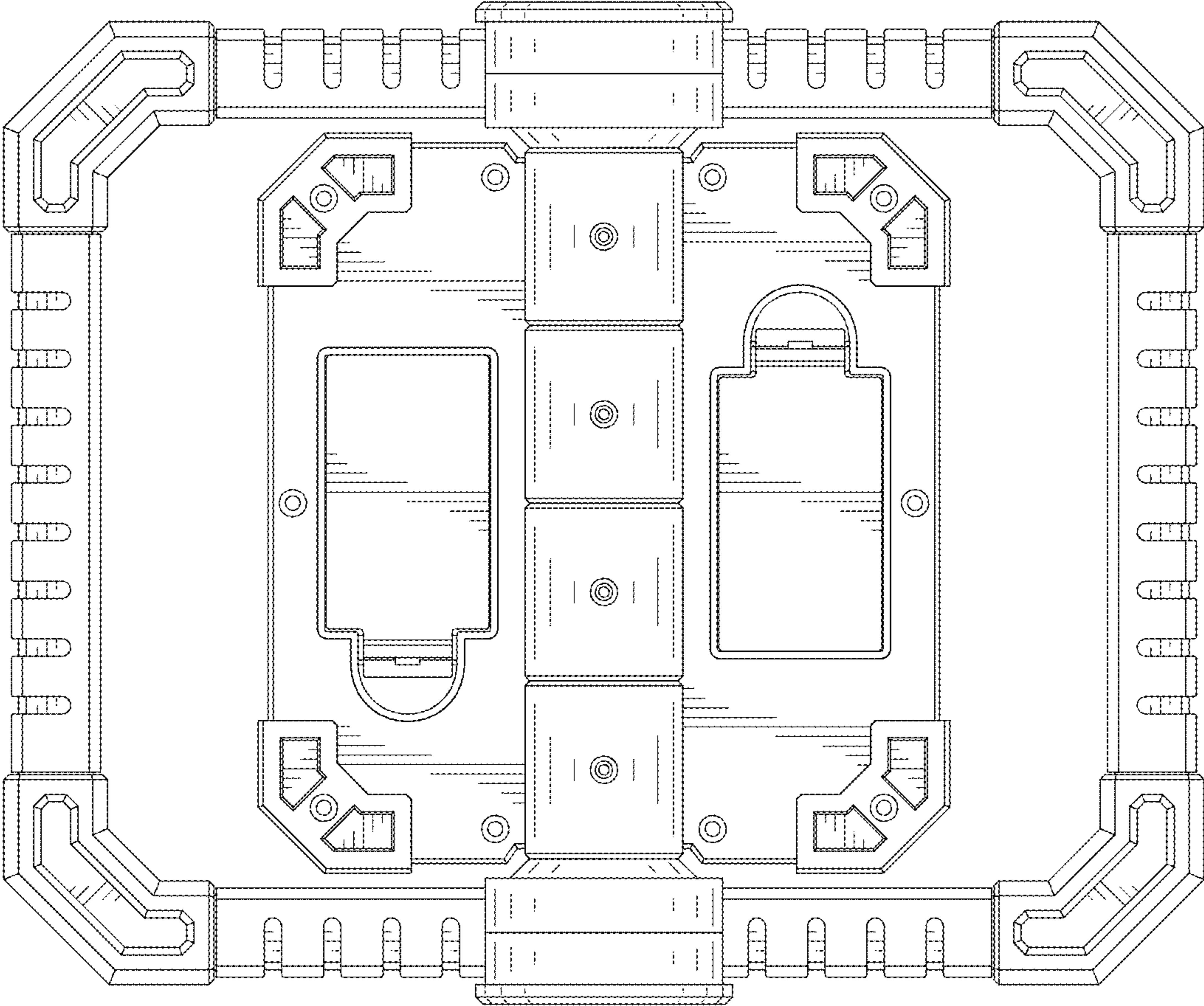


FIG.2

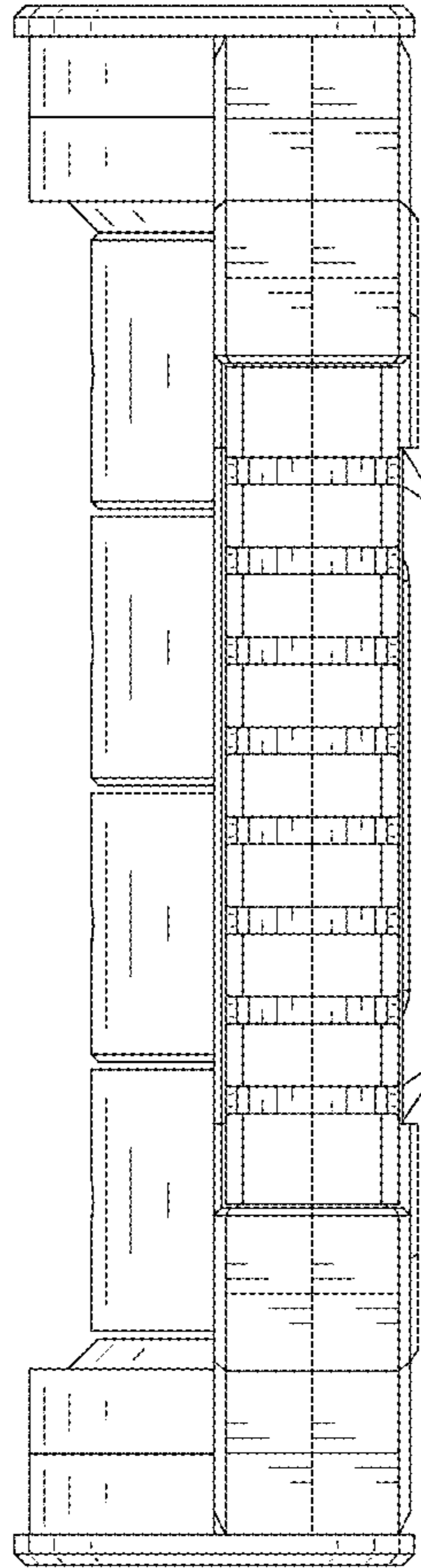


FIG.3

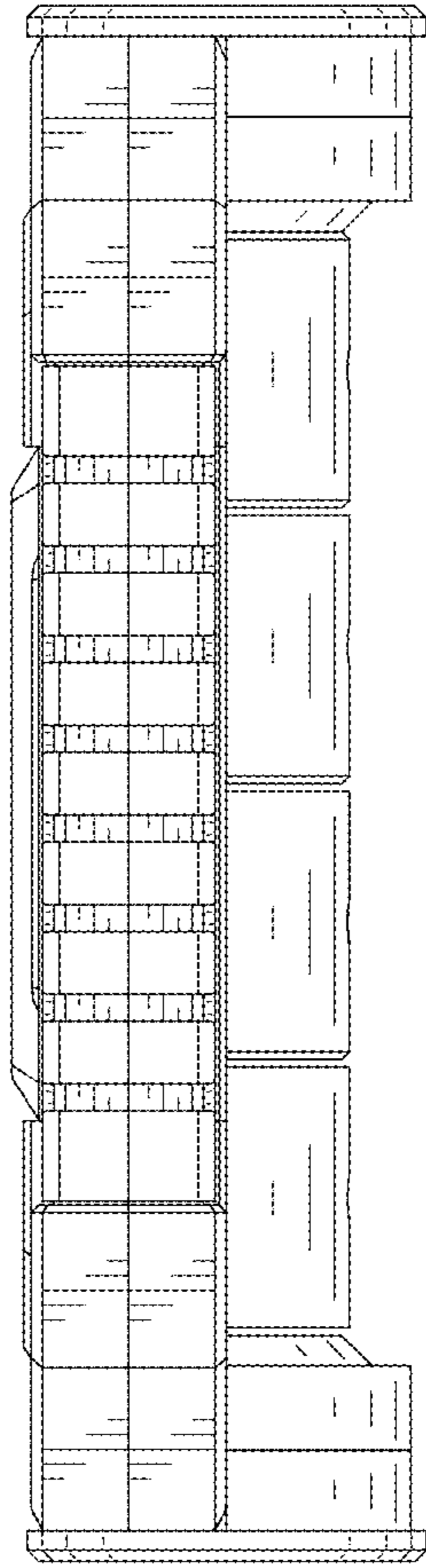


FIG.4

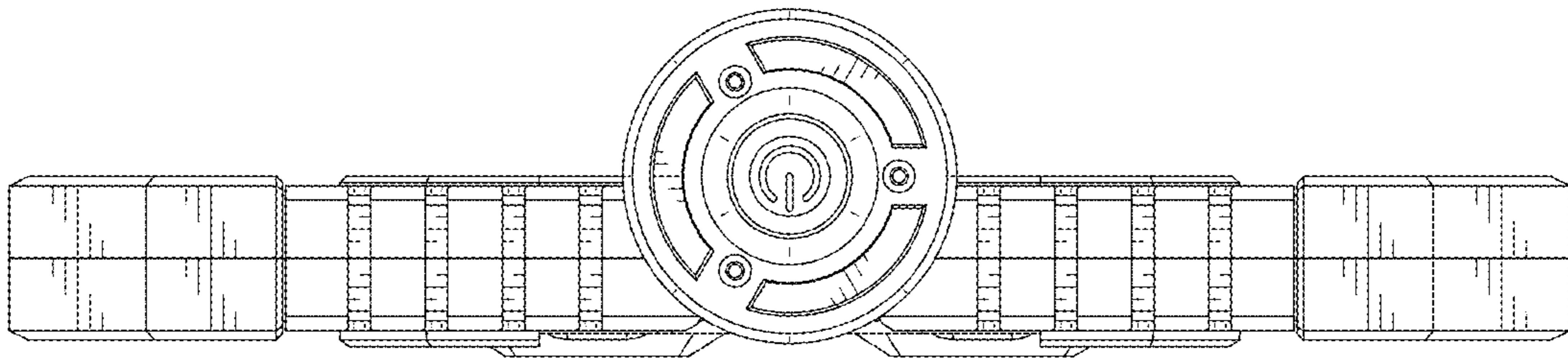


FIG.5

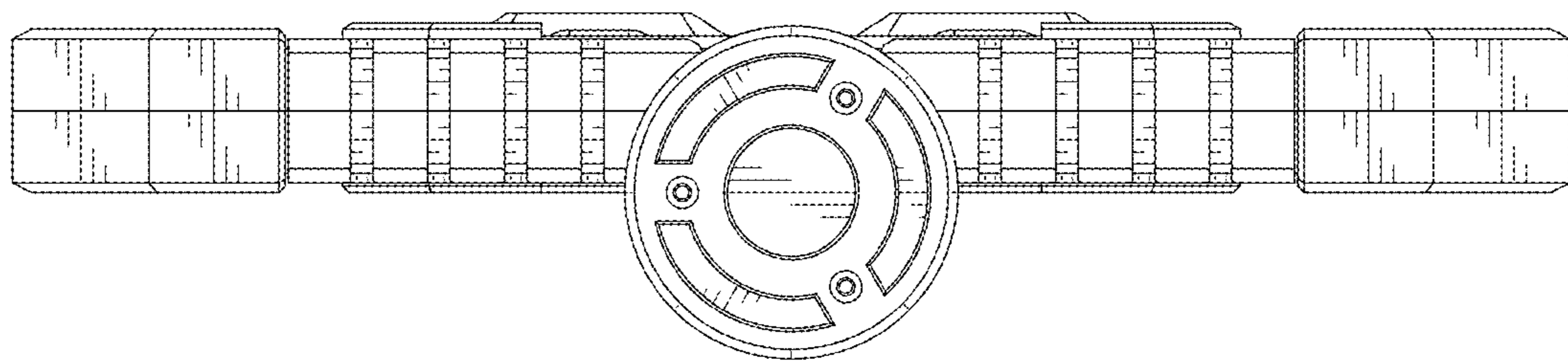


FIG.6



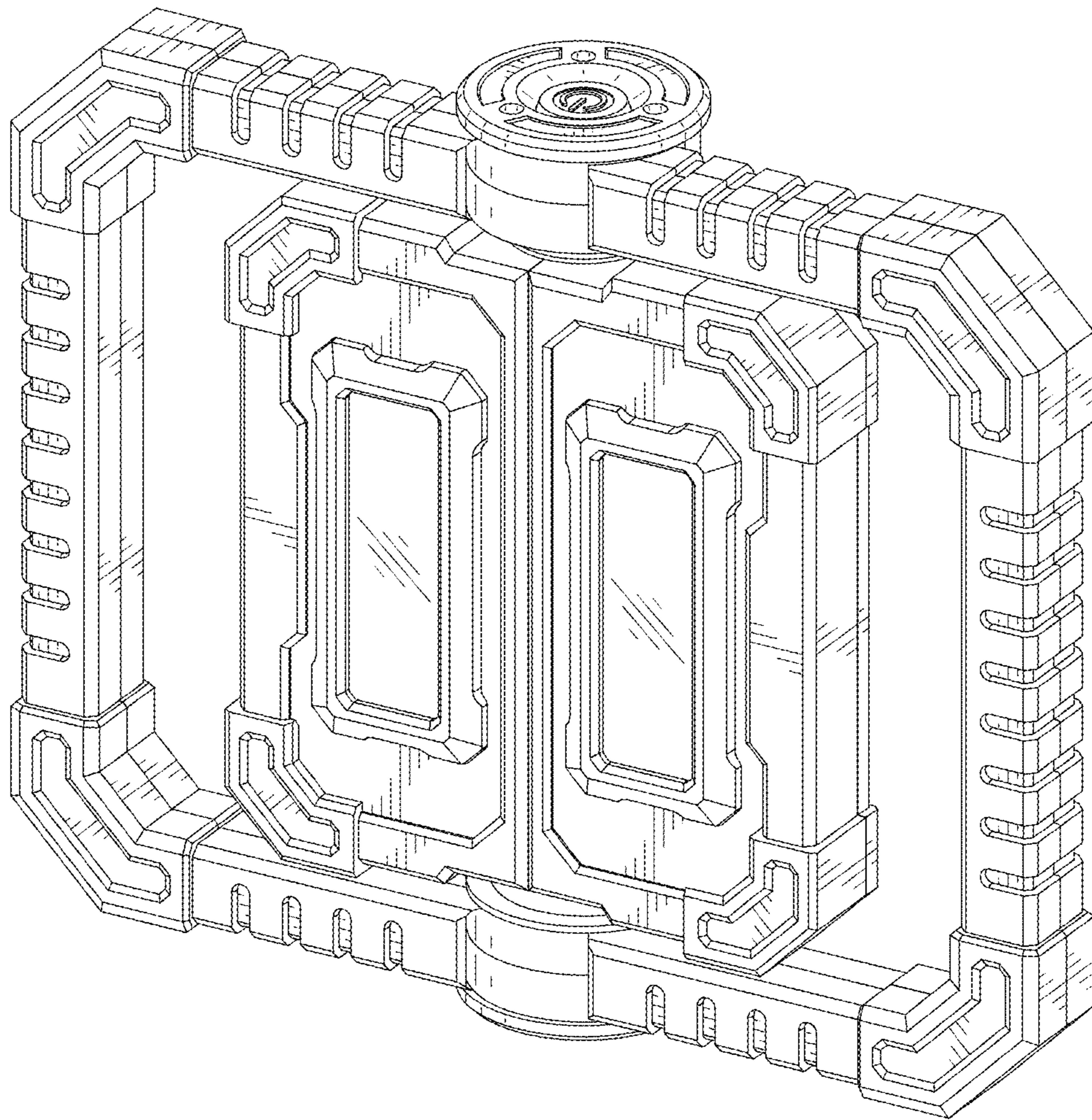


FIG.7

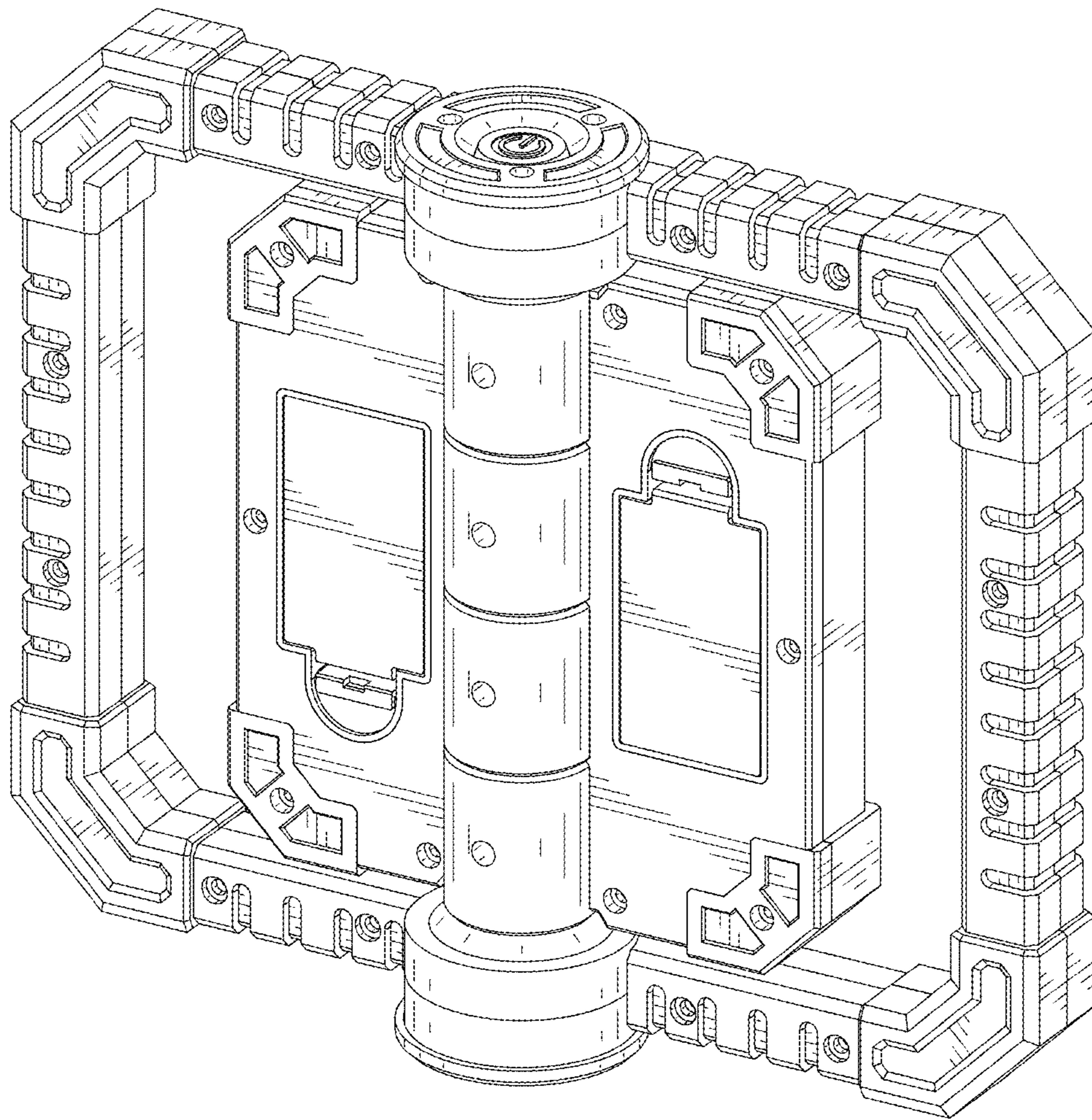


FIG.8



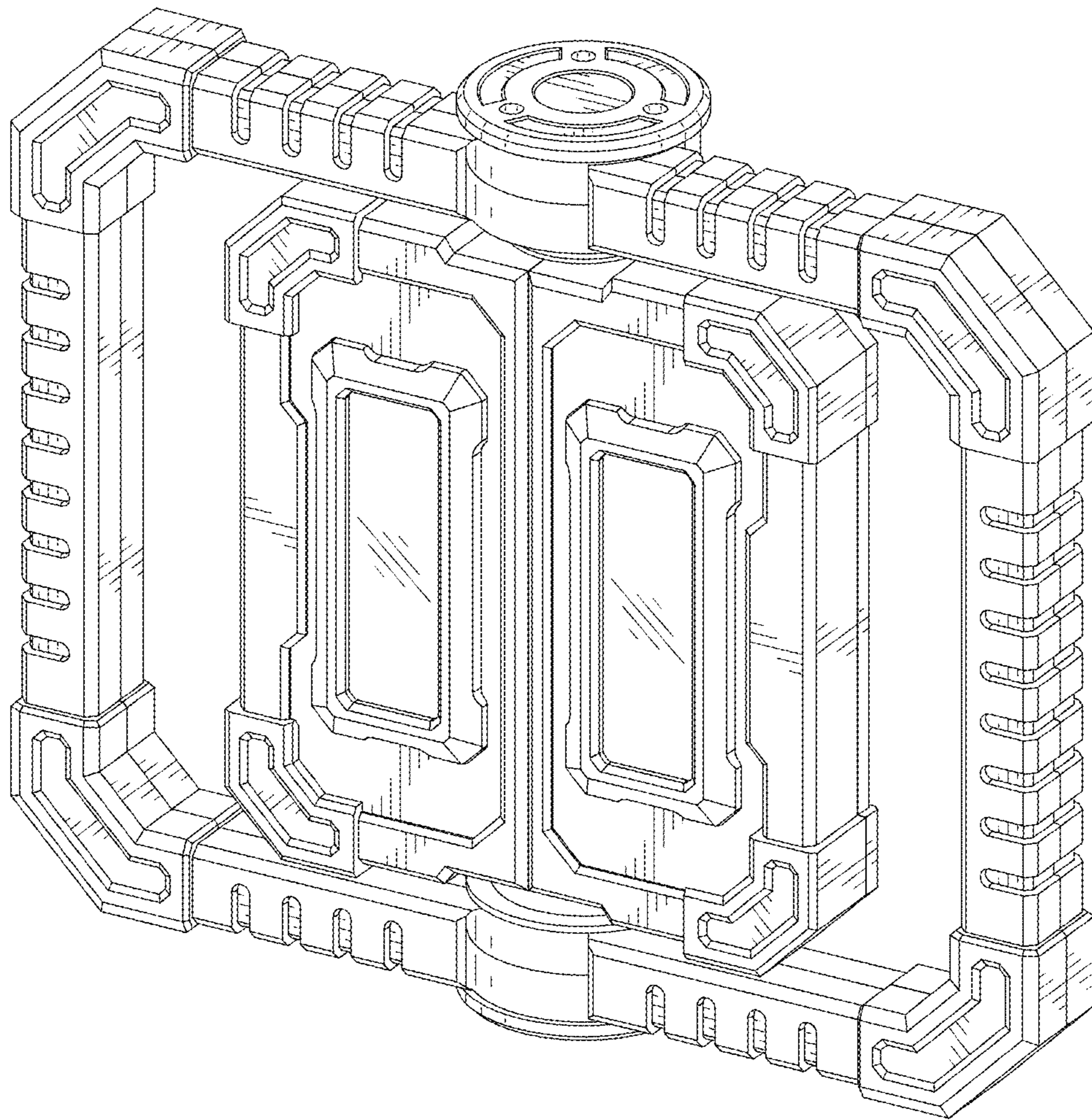


FIG.9

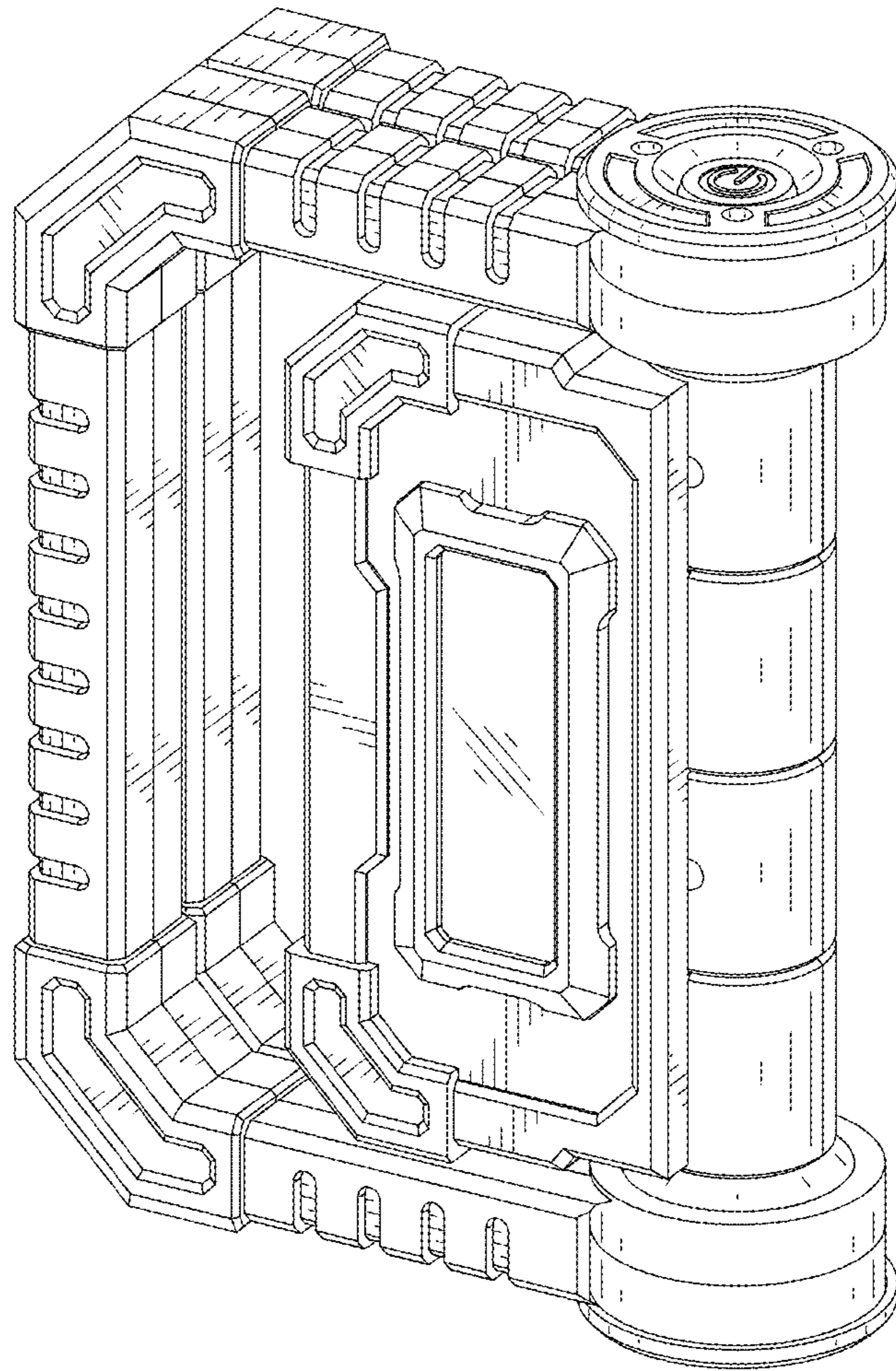


FIG.10



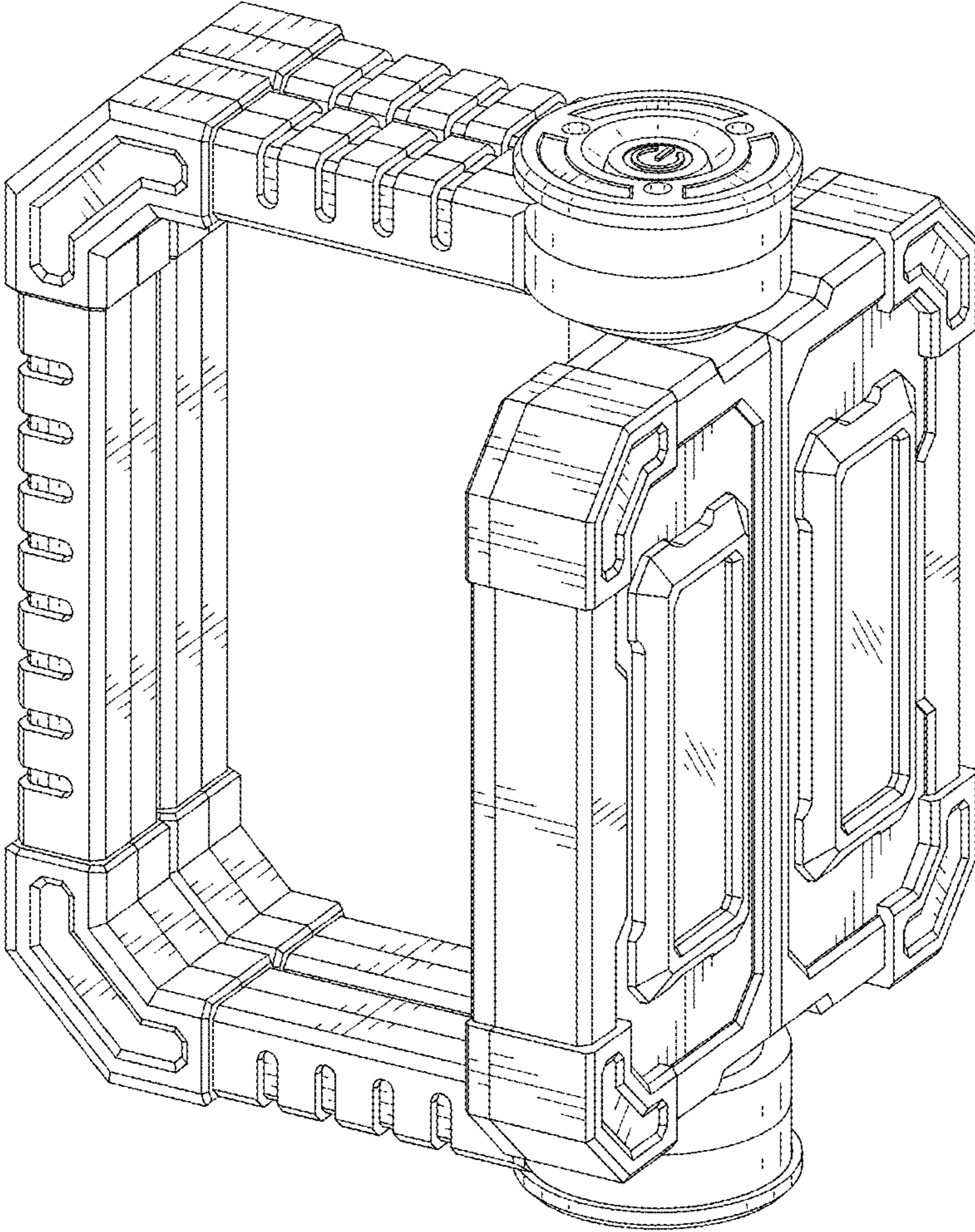


FIG.11

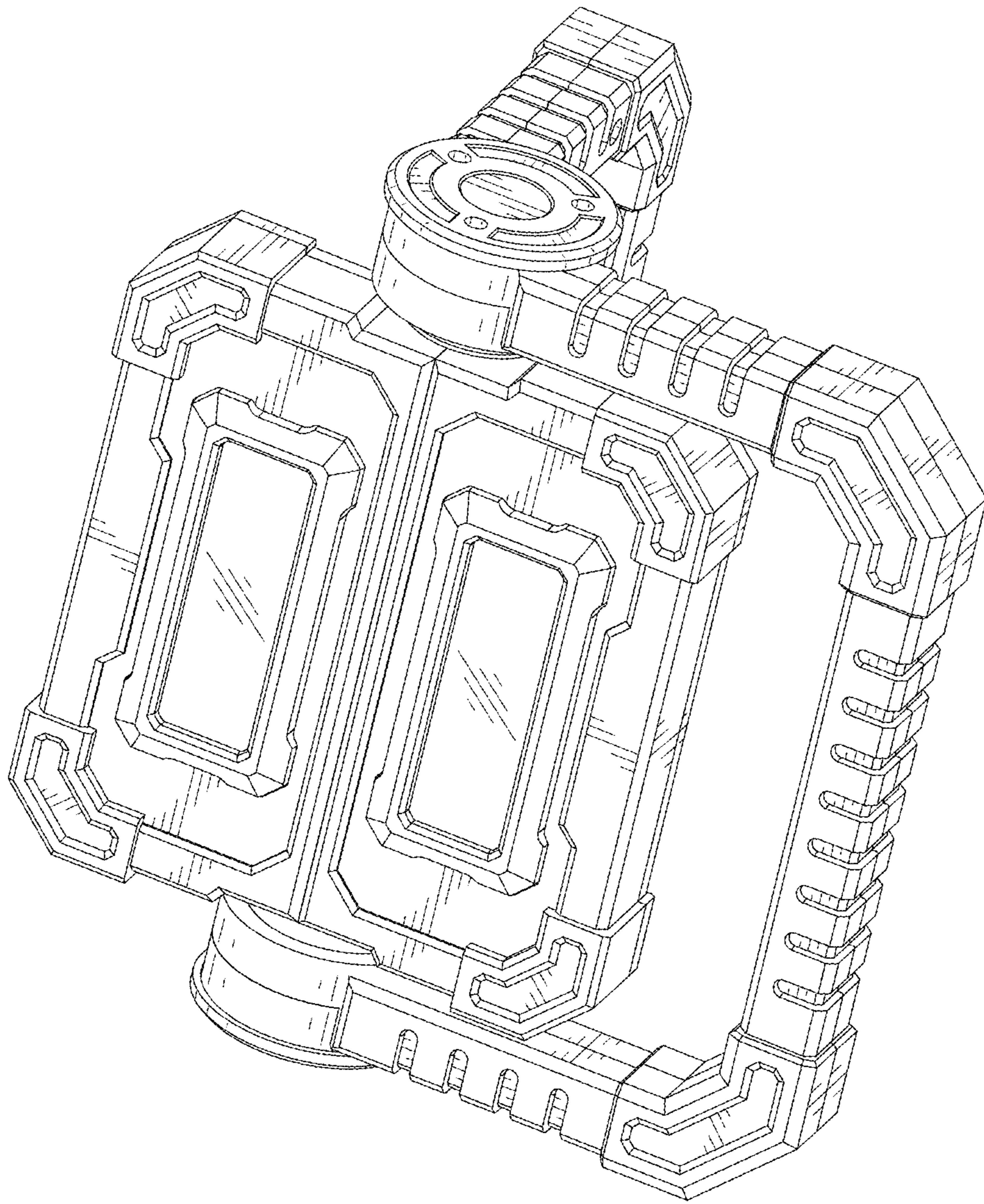


FIG.12