



US00D880742S

(12) **United States Design Patent**
Li et al.

(10) **Patent No.:** **US D880,742 S**
(45) **Date of Patent:** **** Apr. 7, 2020**

(54) **LIGHTING FIXTURE**

(71) Applicant: **DELTA ELECTRONICS, INC.**,
Taoyuan (TW)

(72) Inventors: **Shang-Yu Li**, Taoyuan (TW); **Do Chen**, Taoyuan (TW); **Ching-Ho Chou**,
Taoyuan (TW)

(73) Assignee: **DELTA ELECTRONICS, INC.**,
Taoyuan (TW)

(**) Term: **15 Years**

(21) Appl. No.: **29/664,869**

(22) Filed: **Sep. 28, 2018**

(51) **LOC (12) Cl.** **26-05**

(52) **U.S. Cl.**
USPC **D26/61**

(58) **Field of Classification Search**
USPC D26/1, 24, 28, 29, 44, 46, 61, 63, 119,
D26/123, 124; 362/227, 217.1, 217.12,
362/217.13, 217.16, 217.17, 249.07
CPC F21V 29/74; F21V 29/83; F21V 29/763;
F21V 15/00; F21V 15/01; F21V 15/04;
F21V 15/012; F21V 21/06; F21V 21/15;
F21V 21/30; F21W 2131/10; F21W
2131/40; F21W 2131/406; F21W
2131/1005

See application file for complete search history.

(56) **References Cited**

U.S. PATENT DOCUMENTS

D256,057 S *	7/1980	Ichikawa	D26/29
D289,086 S *	3/1987	Yabata	D26/29
D439,355 S *	3/2001	Ford	D26/63
6,283,617 B1 *	9/2001	Stekelenburg	F21S 8/033 248/126
D547,477 S *	7/2007	Guercio	D26/63
D629,550 S *	12/2010	Sandell	D26/63

(Continued)

Primary Examiner — Wan Laymon

Assistant Examiner — Clint A Samuel

(74) *Attorney, Agent, or Firm* — Kirton McConkie; Evan R. Witt

(57) **CLAIM**

The ornamental design for a lighting fixture, as shown and described.

DESCRIPTION

FIG. 1 is a front, right side, and top perspective view of a first embodiment of a lighting fixture showing our new design;

FIG. 2 is another front, right side, and top perspective view thereof;

FIG. 3 is a rear, left side, bottom perspective view thereof;

FIG. 4 is a front elevation view thereof;

FIG. 5 is a rear elevation view thereof;

FIG. 6 is a left side elevation view thereof;

FIG. 7 is a right side elevation view thereof;

FIG. 8 is a top plan view thereof;

FIG. 9 is a bottom plan view thereof;

FIG. 10 is a front, right side, and top perspective view of a second embodiment of a lighting fixture showing our new design;

FIG. 11 is another front, right side, and top perspective view thereof;

FIG. 12 is a rear, left side, bottom perspective view thereof;

FIG. 13 is a front elevational view thereof;

FIG. 14 is a rear elevational view thereof;

FIG. 15 is a left side elevational view thereof;

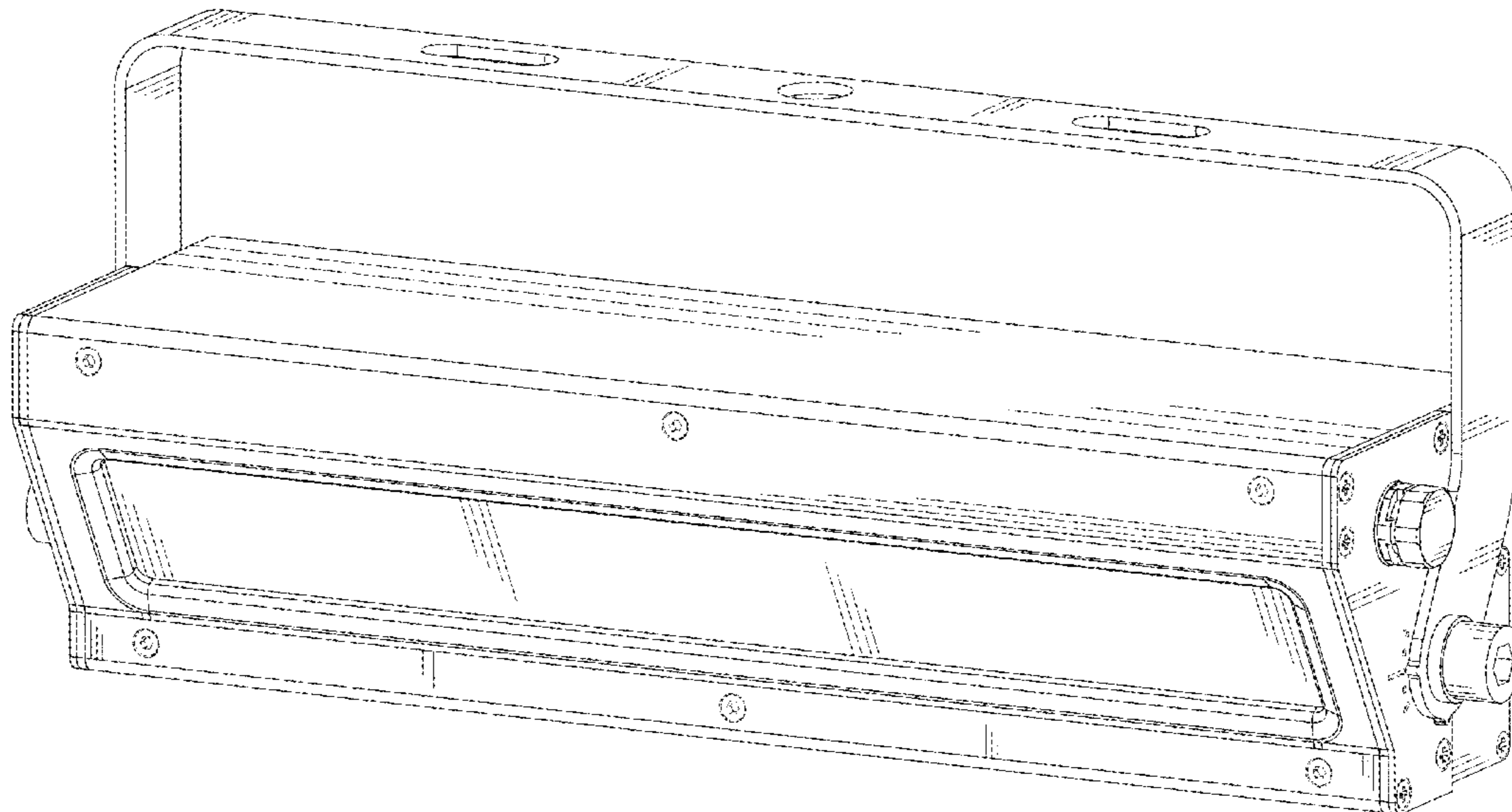
FIG. 16 is a right side elevational view thereof;

FIG. 17 is a top plan view thereof; and,

FIG. 18 is a bottom plan view thereof.

The broken line showing in the drawings is included for the purpose of illustrating portions of the lighting fixture and forms no part of the claimed design.

1 Claim, 16 Drawing Sheets



(56)

References Cited

U.S. PATENT DOCUMENTS

D693,509	S	*	11/2013	Hosick	D26/63
D711,030	S	*	8/2014	Zhan	D26/65
D747,526	S	*	1/2016	Zhang	D26/63
D749,767	S	*	2/2016	Jin	D26/63
D781,480	S	*	3/2017	Zhan	D26/63
D784,581	S	*	4/2017	Swai	D26/63
D784,582	S	*	4/2017	Swai	D26/63
D800,952	S	*	10/2017	Shundong	D26/93
D803,449	S	*	11/2017	Xu	D26/63
D805,241	S	*	12/2017	Fletcher	D26/118
D814,679	S	*	4/2018	Pan	D26/63
D827,167	S	*	8/2018	Deyaf	D26/28
D834,231	S	*	11/2018	Yu	D26/63
D838,025	S	*	1/2019	Yu	D26/63
D854,720	S	*	7/2019	Deng	D26/63
D858,840	S	*	9/2019	Deng	D26/63
D866,036	S	*	11/2019	Tan	D26/63
2011/0128737	A1	*	6/2011	Kim	F21V 21/30 362/249.03

* cited by examiner

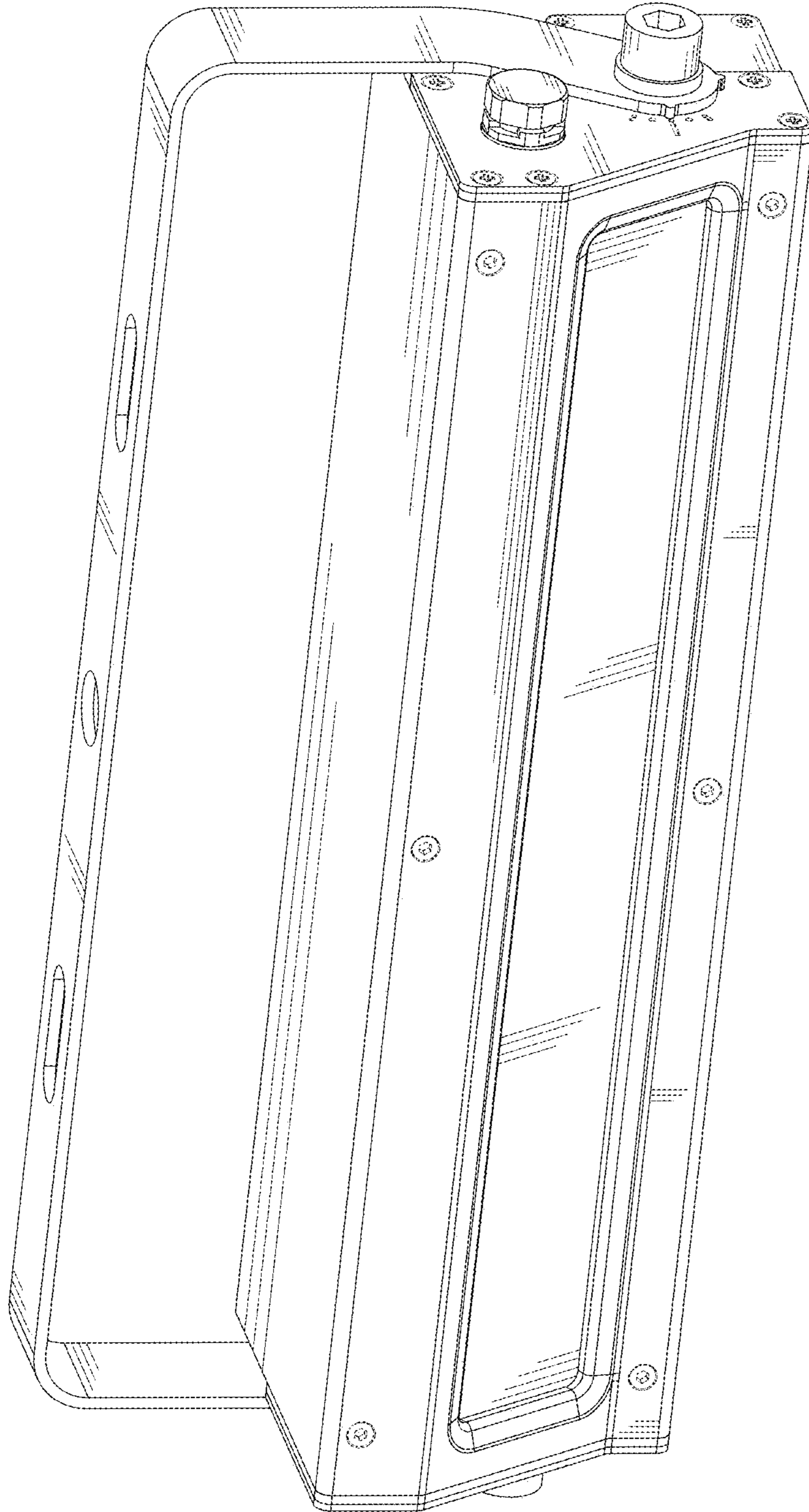


FIG. 1

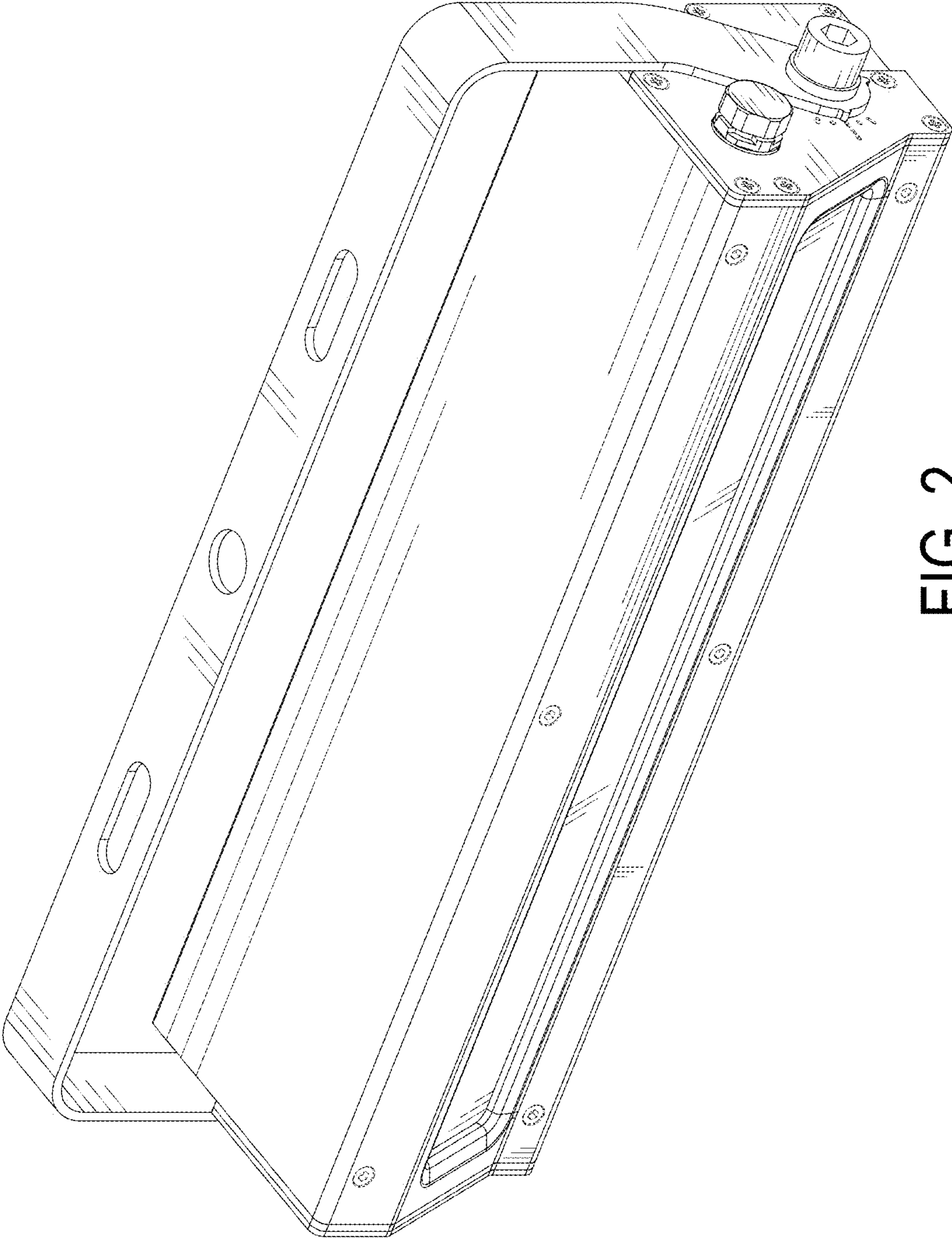


FIG. 2

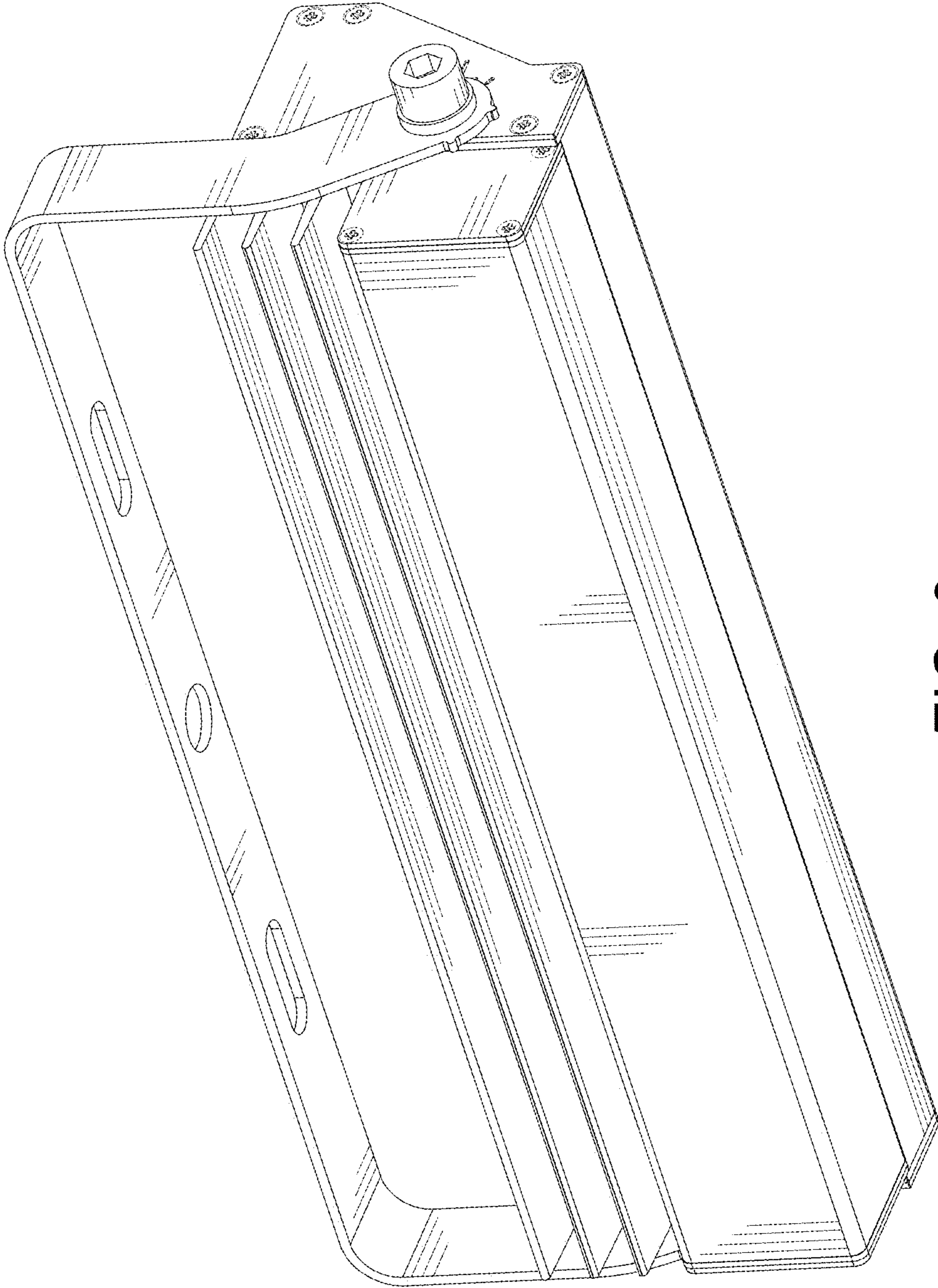


FIG. 3

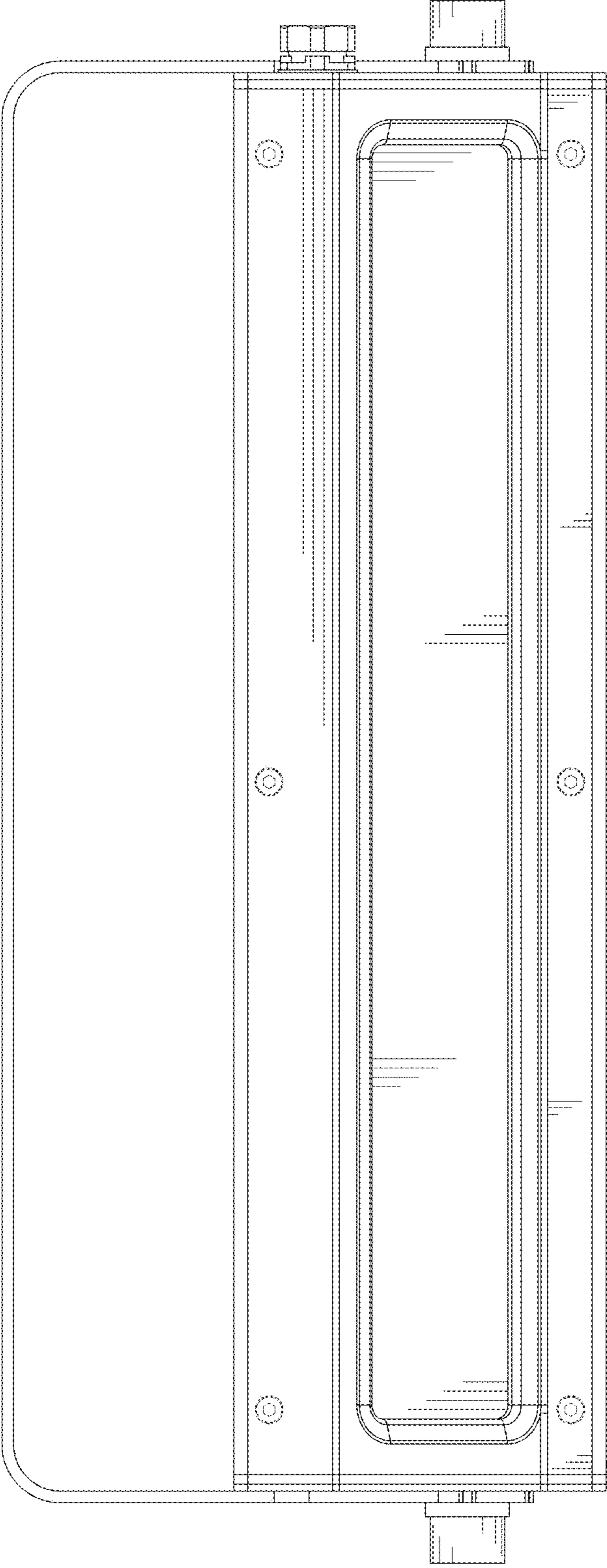


FIG. 4

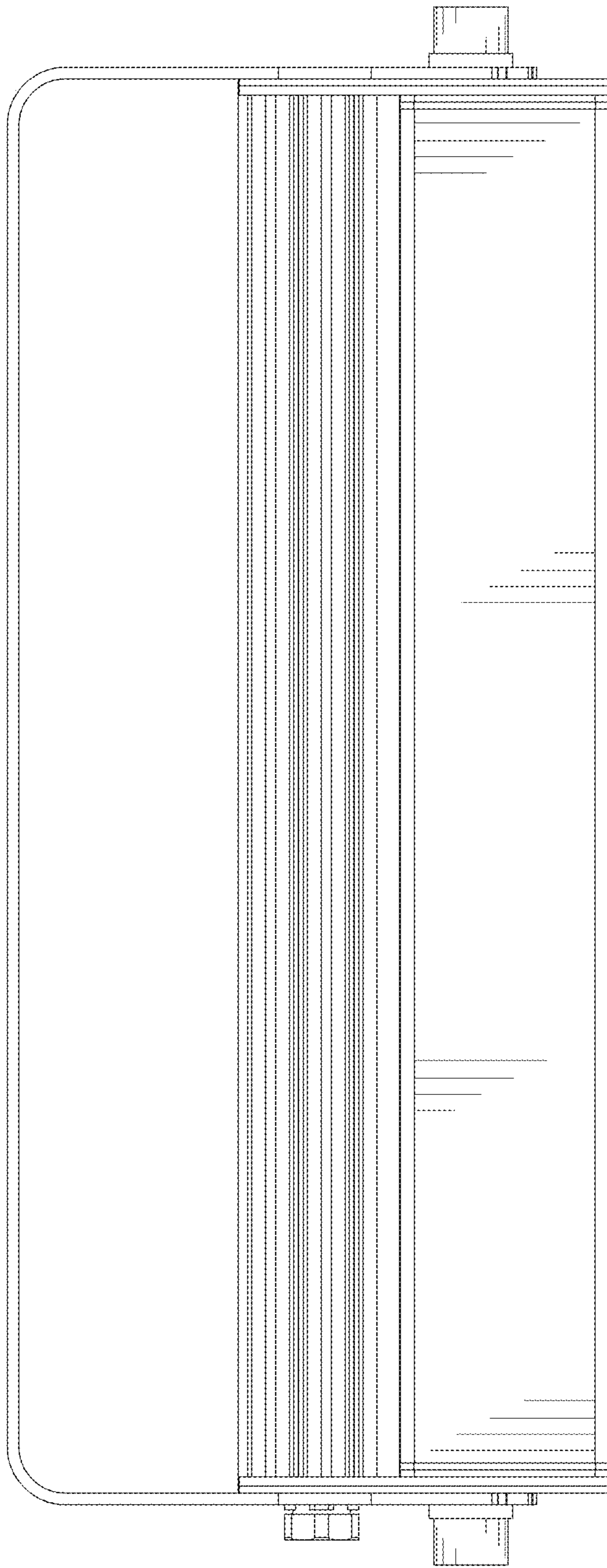


FIG. 5

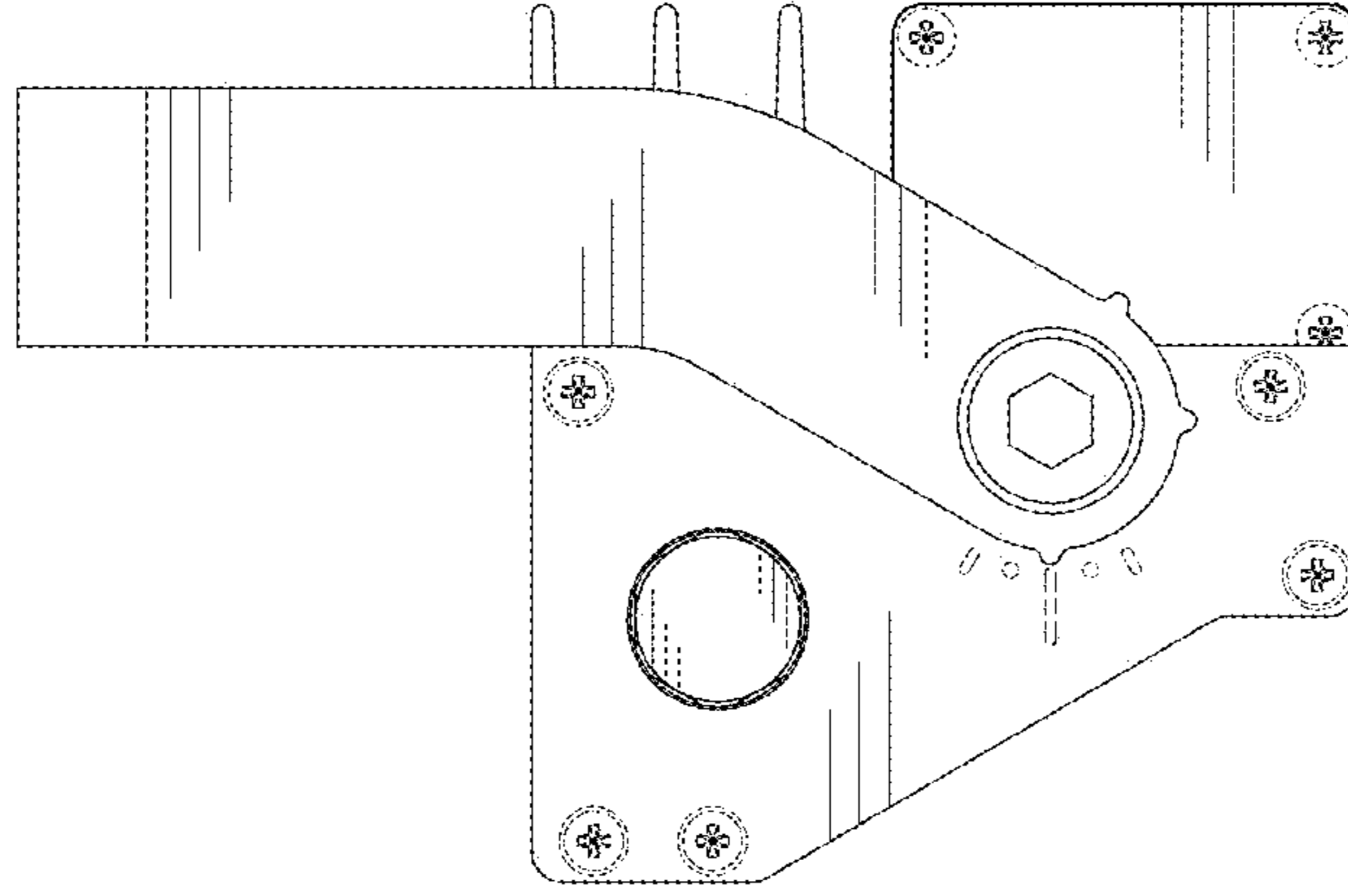


FIG. 6

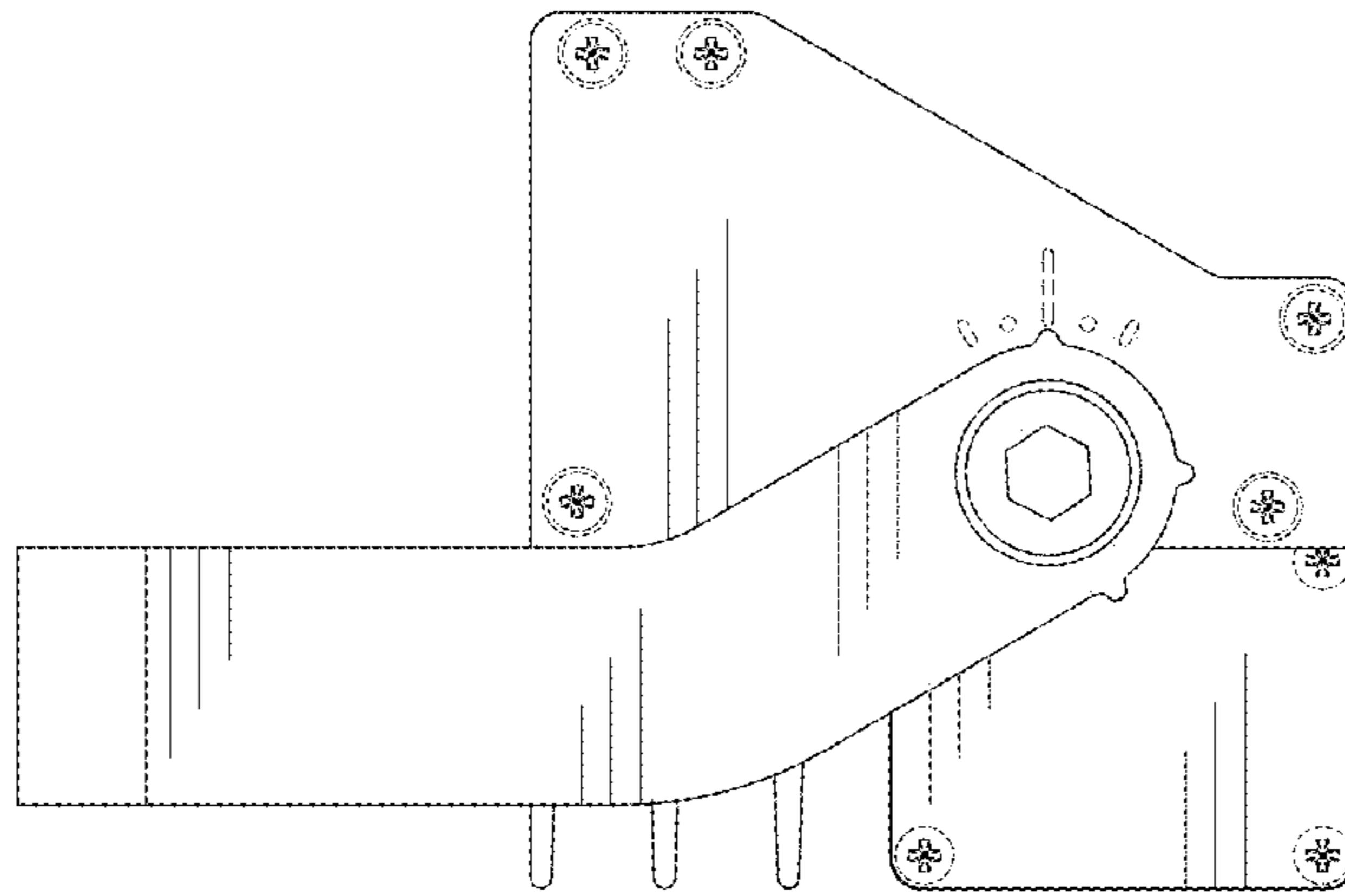


FIG. 7

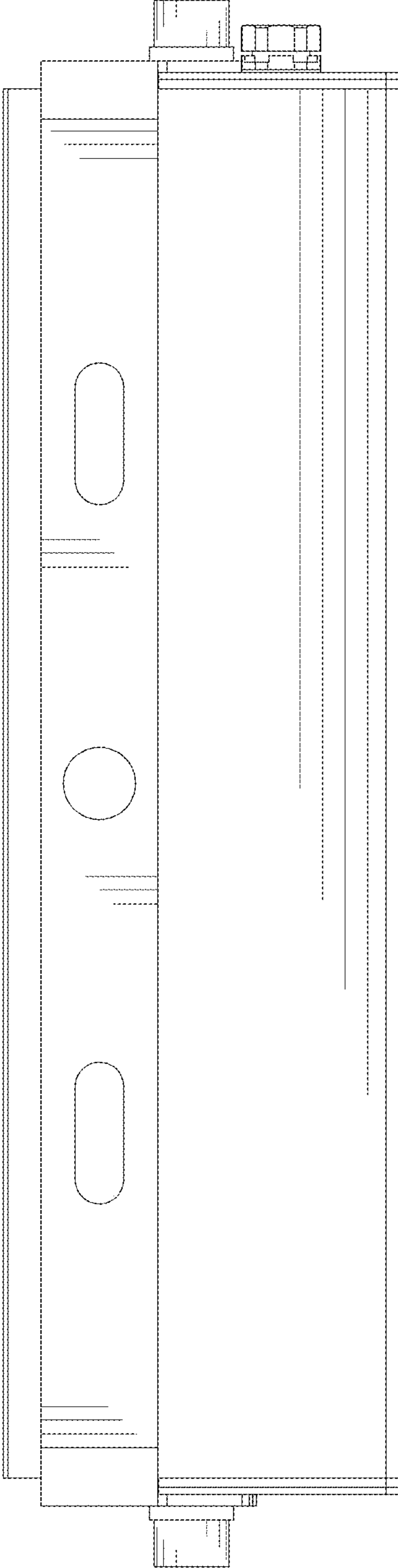


FIG. 8

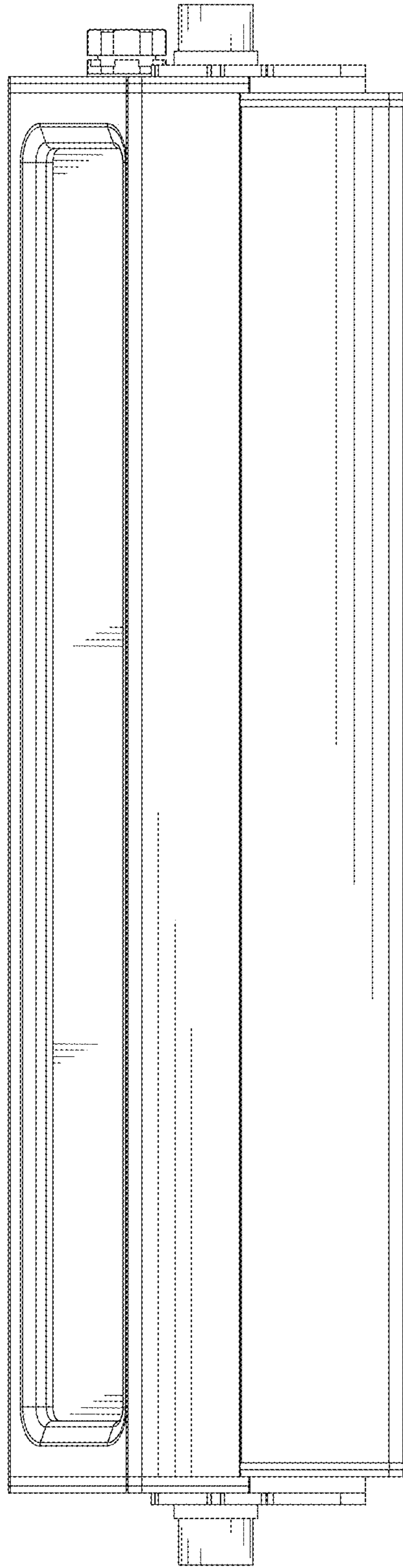


FIG. 9

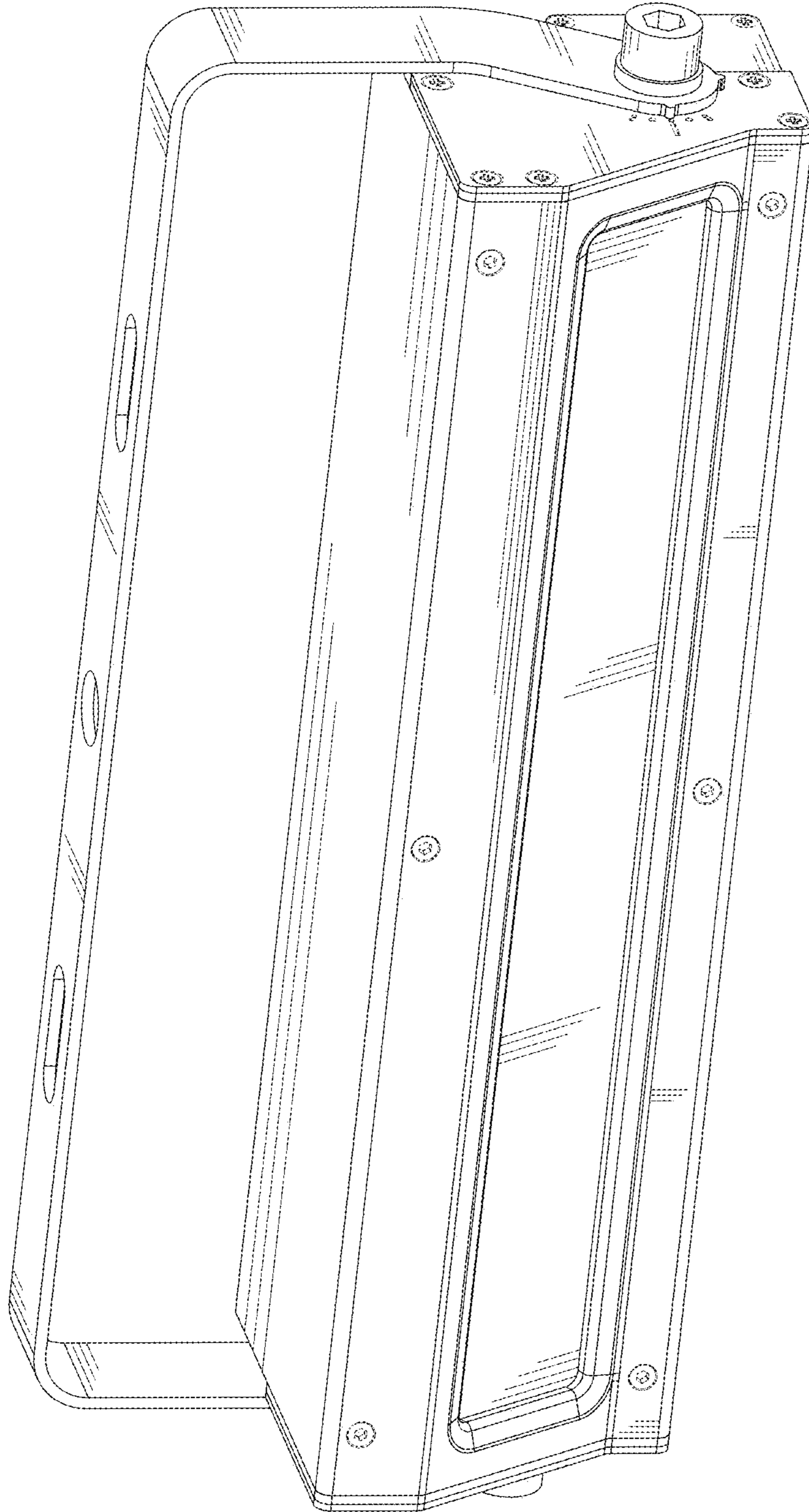


FIG. 10

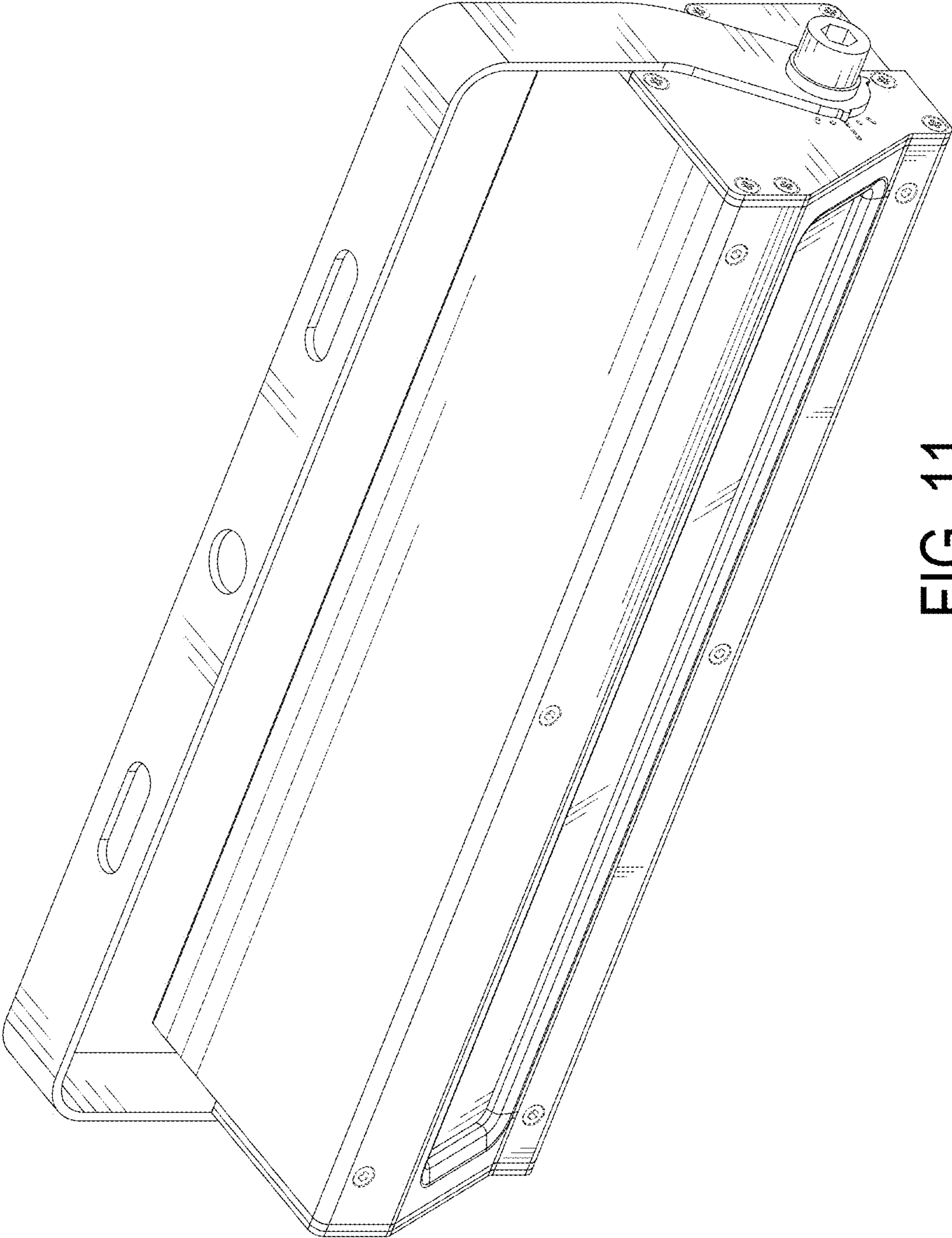


FIG. 11



FIG. 12

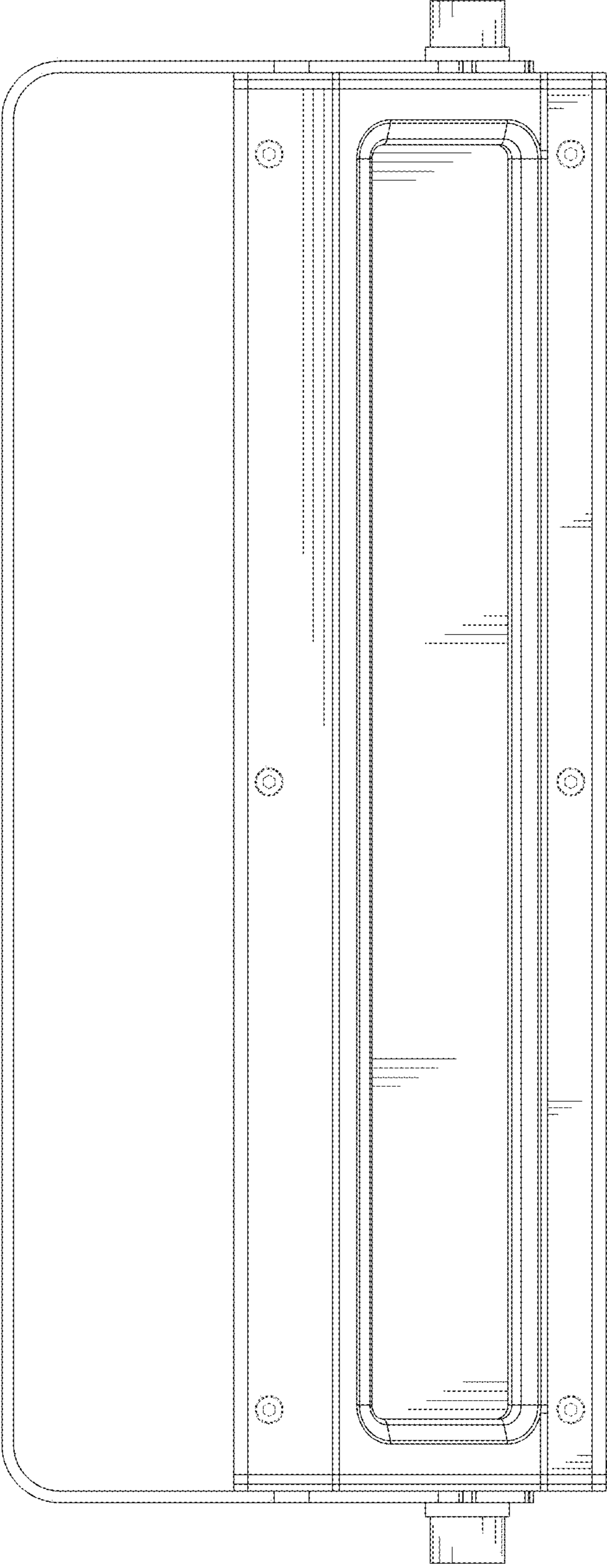


FIG. 13

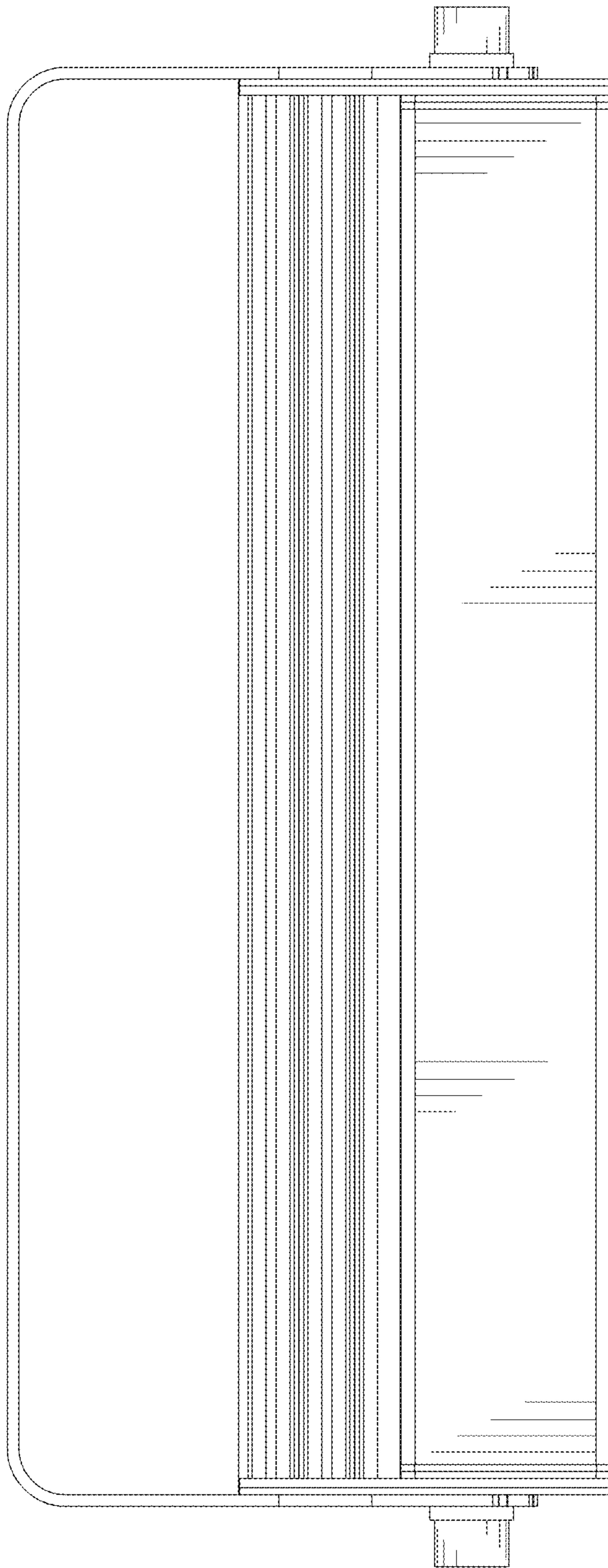


FIG. 14

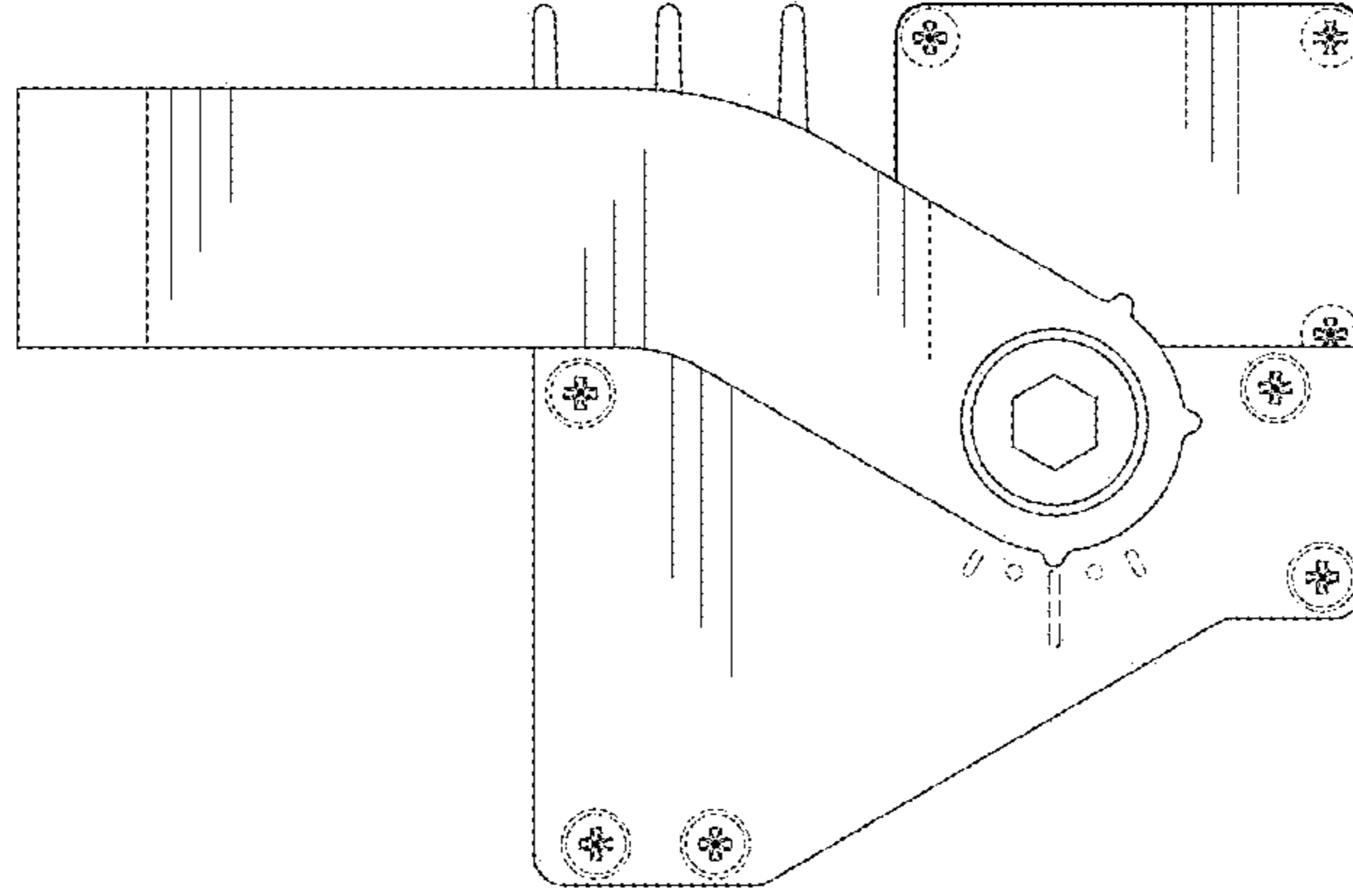


FIG. 15

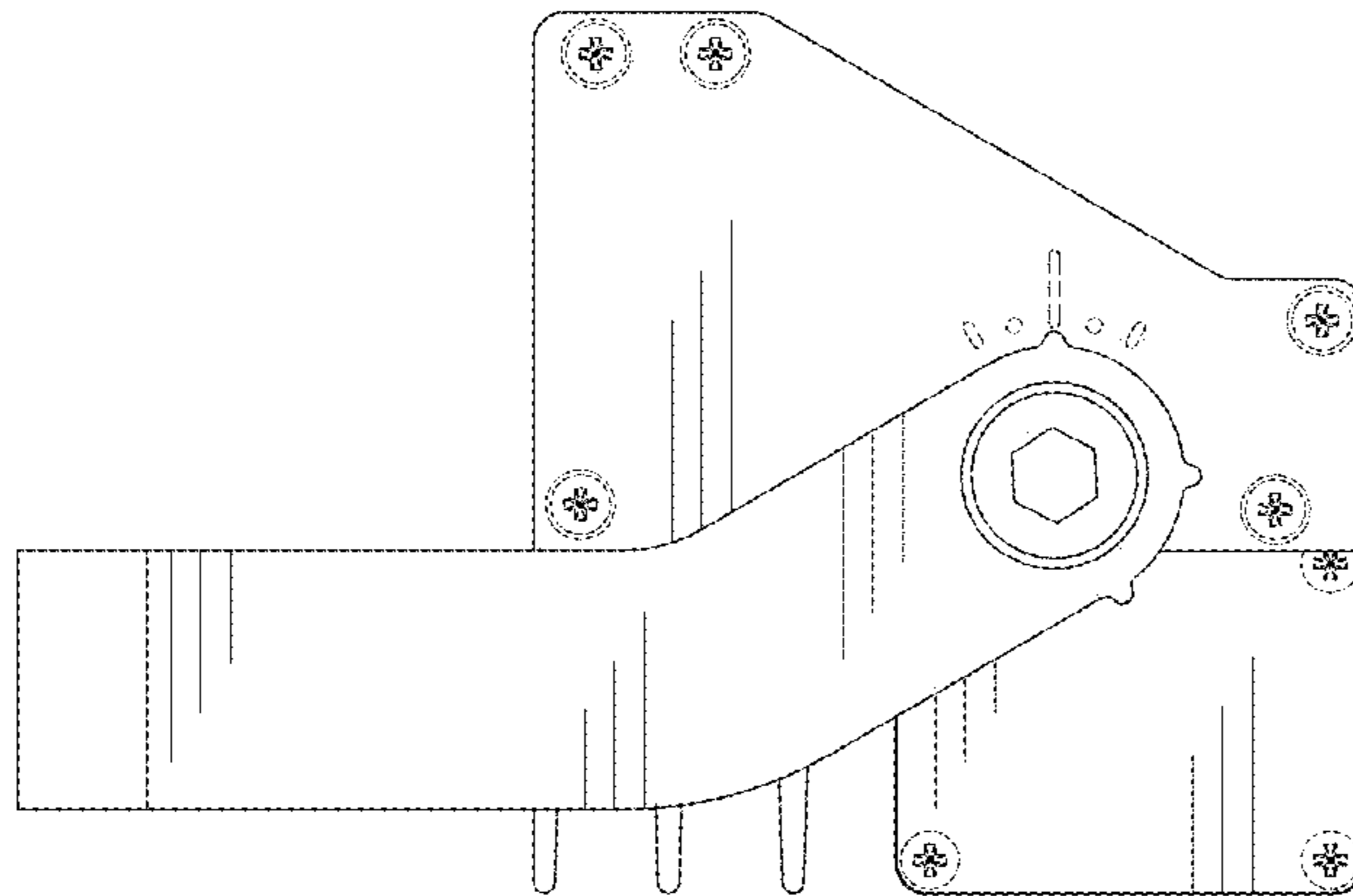


FIG. 16

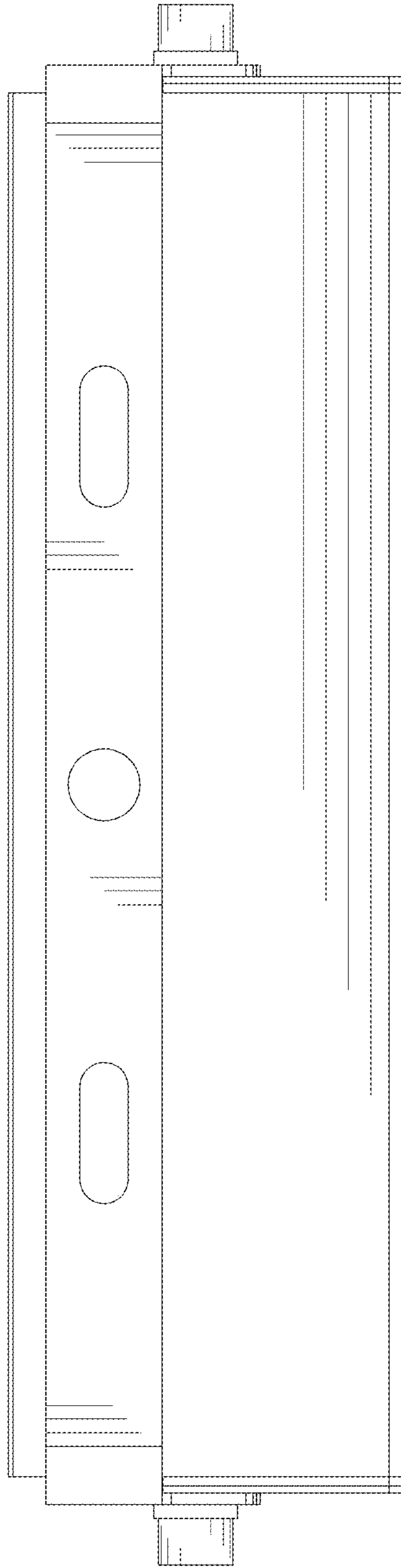


FIG. 17

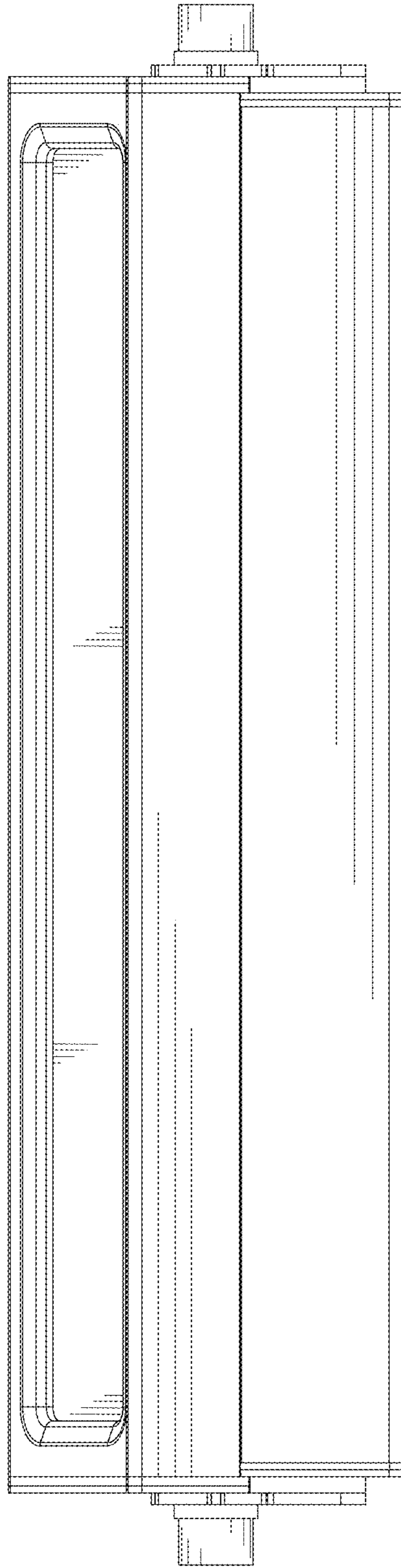


FIG. 18