



US00D880741S

(12) **United States Design Patent** (10) **Patent No.:** **US D880,741 S**  
**Duarte et al.** (45) **Date of Patent:** **\*\* Apr. 7, 2020**

- (54) **ROTATABLE LIGHT**
- (71) Applicant: **DELK, INC.**, Nashville, TN (US)
- (72) Inventors: **Eugenio Jose Duarte**, Mount Juliet, TN (US); **James Matthew Finney**, Nolensville, TN (US)
- (73) Assignee: **DELK, INC.**, Nashville, TN (US)
- (\*\*) Term: **15 Years**
- (21) Appl. No.: **29/647,892**
- (22) Filed: **May 16, 2018**
- (51) **LOC (12) Cl.** ..... **26-05**
- (52) **U.S. Cl.**  
USPC ..... **D26/61**
- (58) **Field of Classification Search**  
USPC ..... D26/1, 24, 36, 44, 61, 93, 94, 104, 137;  
D10/111, 114.6, 114.8; D11/121, 125,  
D11/131, 141, 157; D21/708  
CPC ..... F21V 1/00; F21V 1/10; F21V 3/00; F21V  
3/02; F21V 3/023; F21V 7/04; F21V  
7/043; F21V 7/045; F21V 37/0095; F21V  
21/02; F21V 21/30; F21V 33/0004; F21V  
33/0012; F21V 33/0024; F21V 15/00;  
F21L 4/00; F21S 6/00; F21S 6/002  
See application file for complete search history.

(56) **References Cited**

**U.S. PATENT DOCUMENTS**

3,808,081	A	*	4/1974	Okuhara	.....	B44F 11/00
						362/142
D393,016	S	*	3/1998	Young	.....	D21/398
D460,204	S	*	7/2002	Giese	.....	D26/26
D468,044	S	*	12/2002	Lam	.....	D26/104
D469,207	S	*	1/2003	Chang	.....	D26/104
D551,591	S	*	9/2007	Wesorick	.....	D11/131
D646,412	S	*	10/2011	Taiga	.....	D26/41

D646,836	S	*	10/2011	Wauters	.....	D26/93
D670,424	S	*	11/2012	Lee	.....	D26/93
D685,517	S	*	7/2013	Lu	.....	D26/104
D752,802	S	*	3/2016	Johnson	.....	D26/94
D757,988	S	*	5/2016	Chang	.....	D26/104
D762,913	S	*	8/2016	Anderson	.....	D26/106
D786,485	S	*	5/2017	Amato	.....	D26/106
D807,566	S	*	1/2018	Duarte	.....	D26/110
D814,686	S	*	4/2018	Chen	.....	D26/110
D829,961	S	*	10/2018	Lin	.....	D26/104
D848,051	S	*	5/2019	Huang	.....	D26/104
D852,405	S	*	6/2019	Zeng	.....	D26/104
D854,226	S	*	7/2019	Lin	.....	D26/104
D858,860	S	*	9/2019	Lin	.....	D26/106
D861,965	S	*	10/2019	Lin	.....	D26/110
2003/0086266	A1	*	5/2003	Leen	.....	F21S 8/035 362/276

\* cited by examiner

*Primary Examiner* — Wan Laymon

*Assistant Examiner* — Clint A Samuel

(74) *Attorney, Agent, or Firm* — Hankin Patent Law, APC; Kevin Schraven; Anooj Patel

(57) **CLAIM**

The ornamental design for a rotatable light, as shown and described.

**DESCRIPTION**

FIG. 1 is a top perspective view of the rotatable light showing our new design;

FIG. 2 is a front elevational view thereof;

FIG. 3 is a rear elevational view thereof;

FIG. 4 is a left side elevational view thereof;

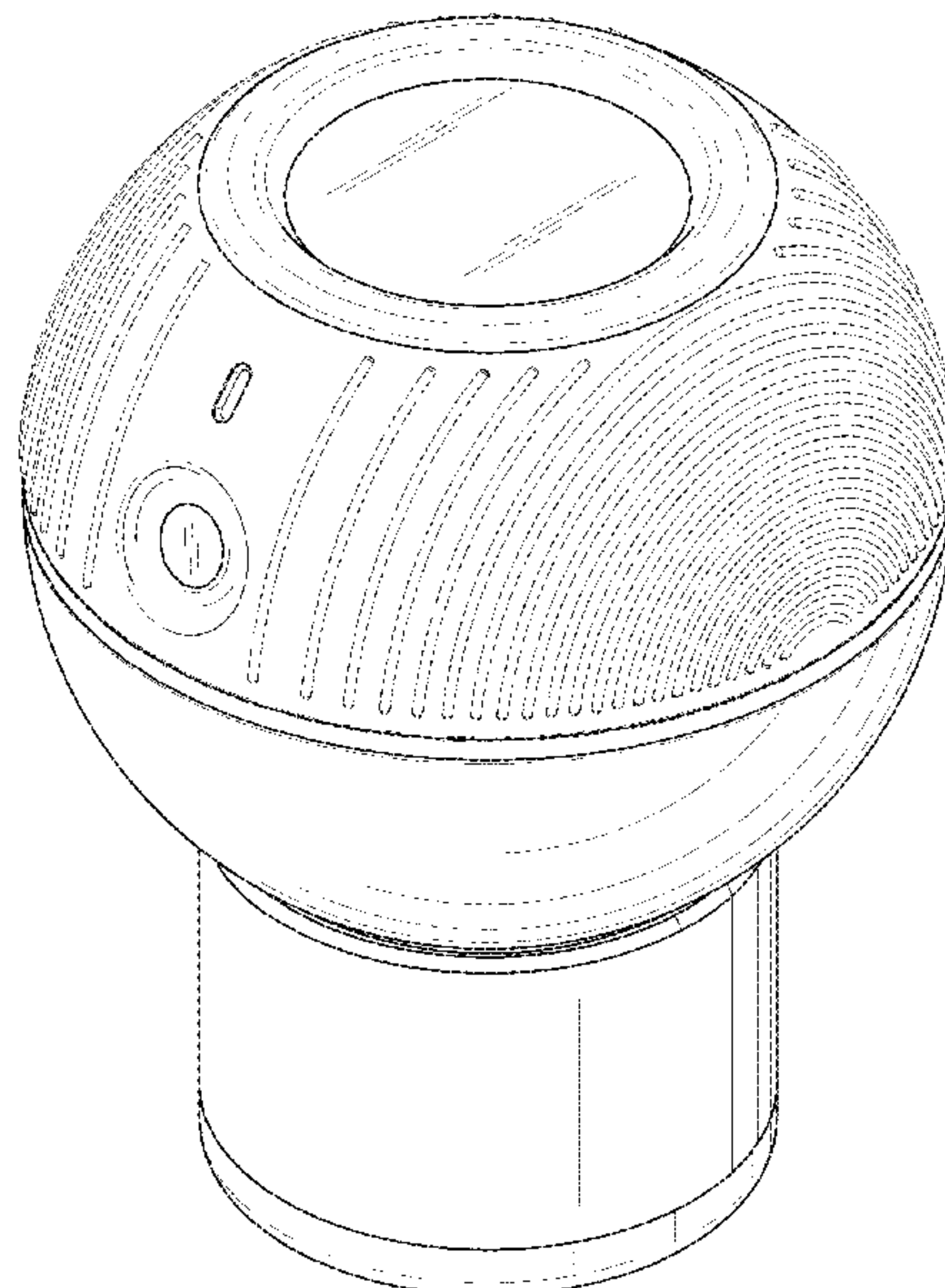
FIG. 5 is a right side elevational view thereof;

FIG. 6 is a top plan view thereof; and,

FIG. 7 is a bottom plan view thereof.

The broken lines showing the grip bumps are for the purpose of illustrating environmental structure form no part of the claimed design.

**1 Claim, 7 Drawing Sheets**



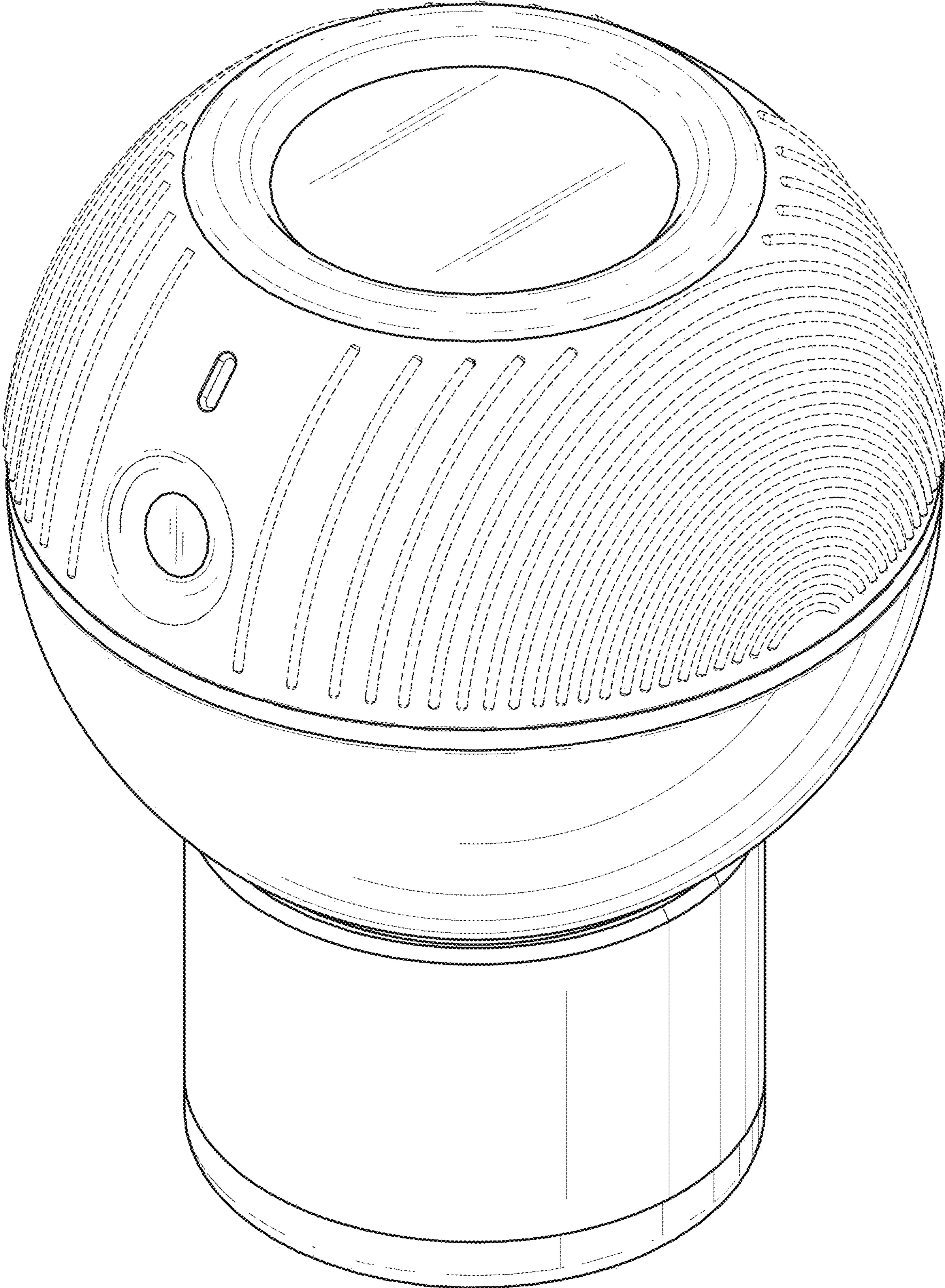


FIG. 1



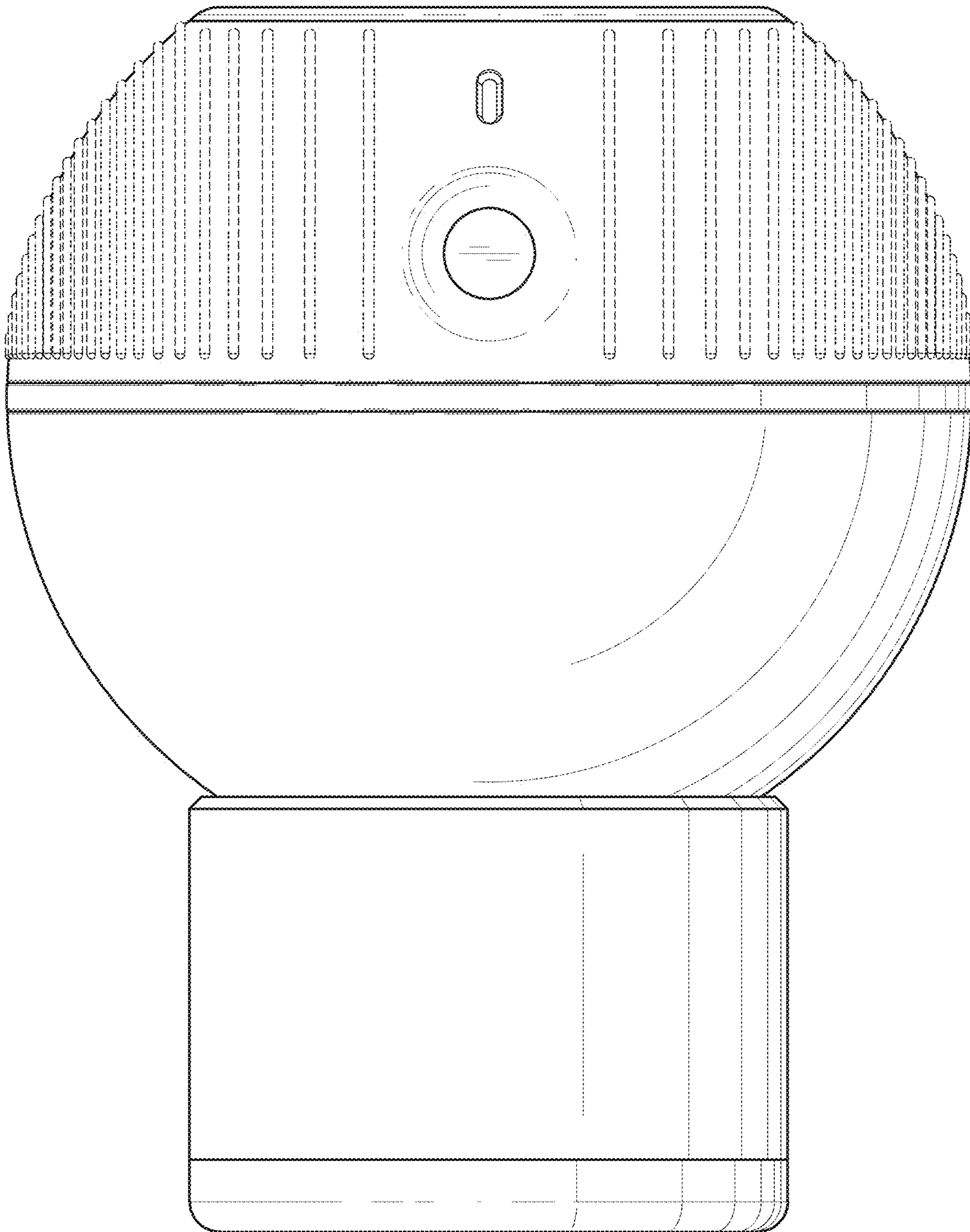


FIG. 2

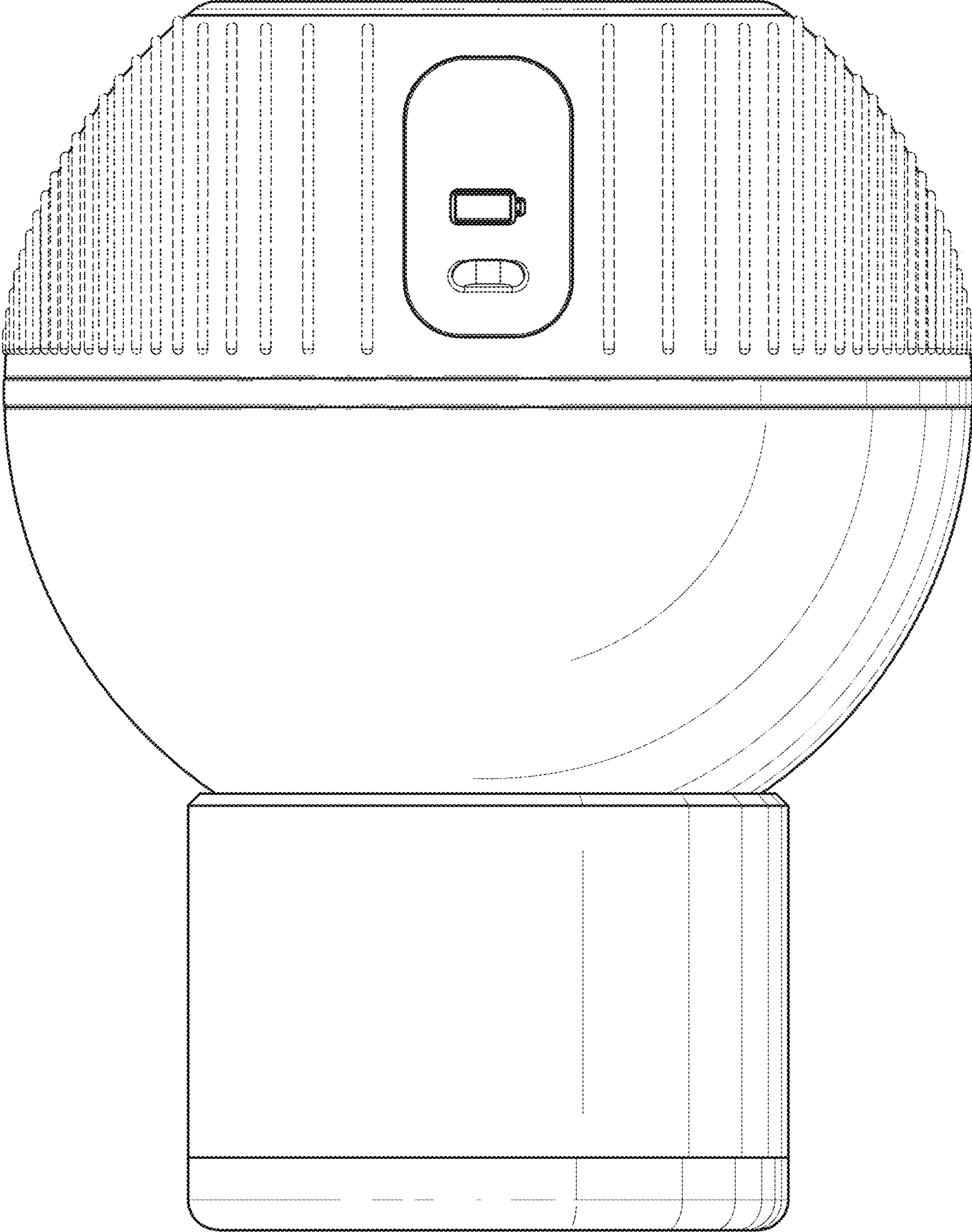


FIG. 3

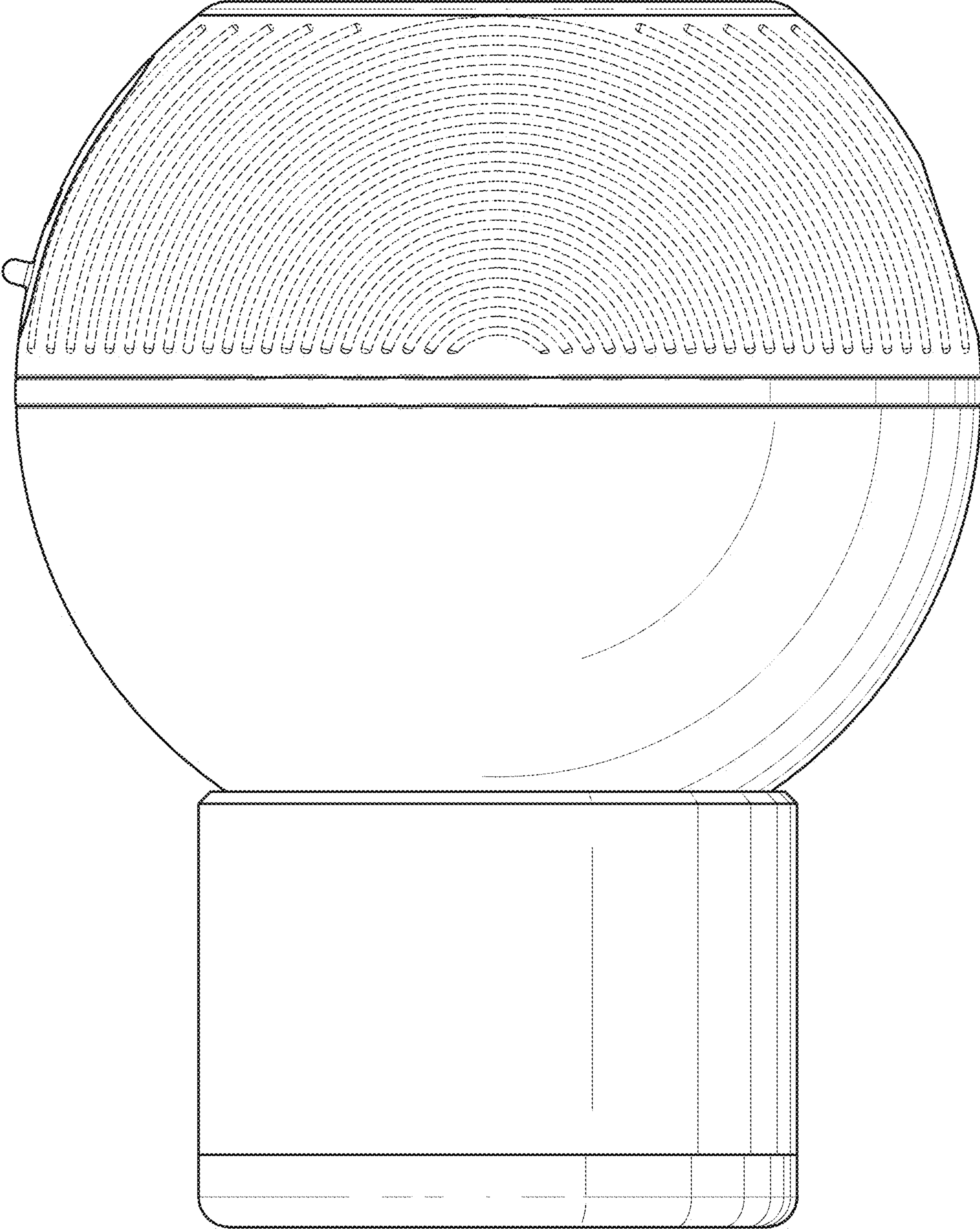


FIG. 4



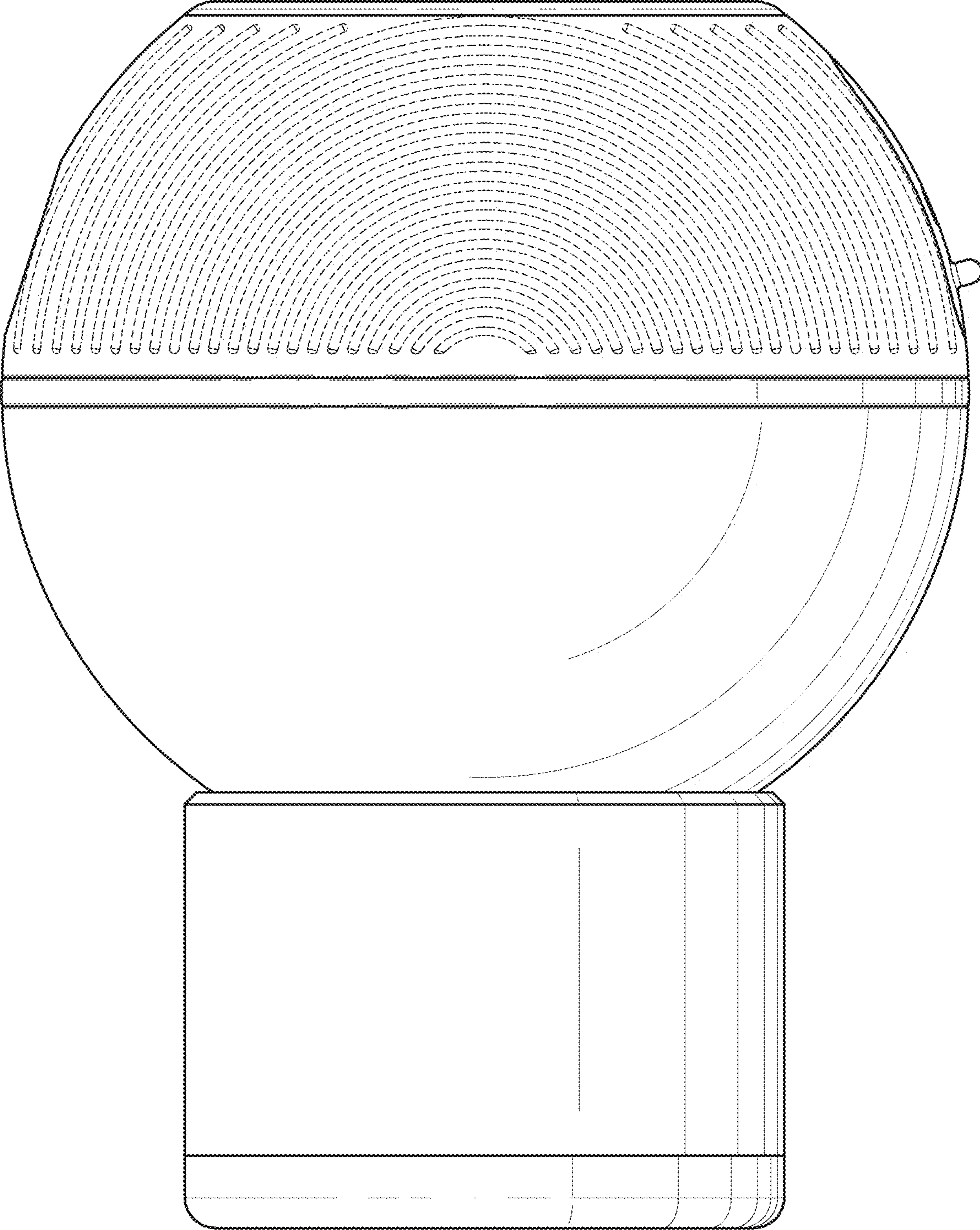


FIG. 5

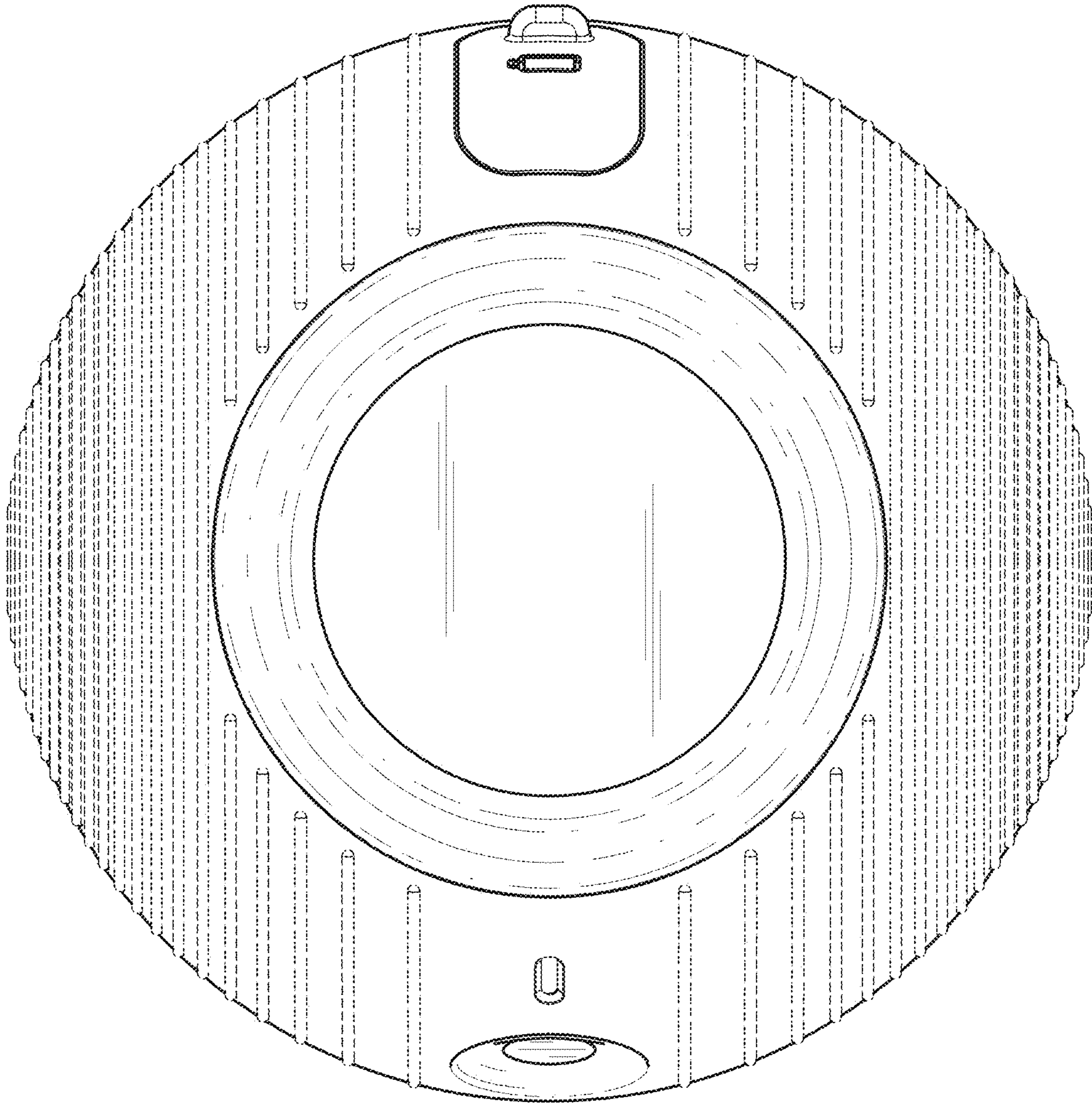


FIG. 6

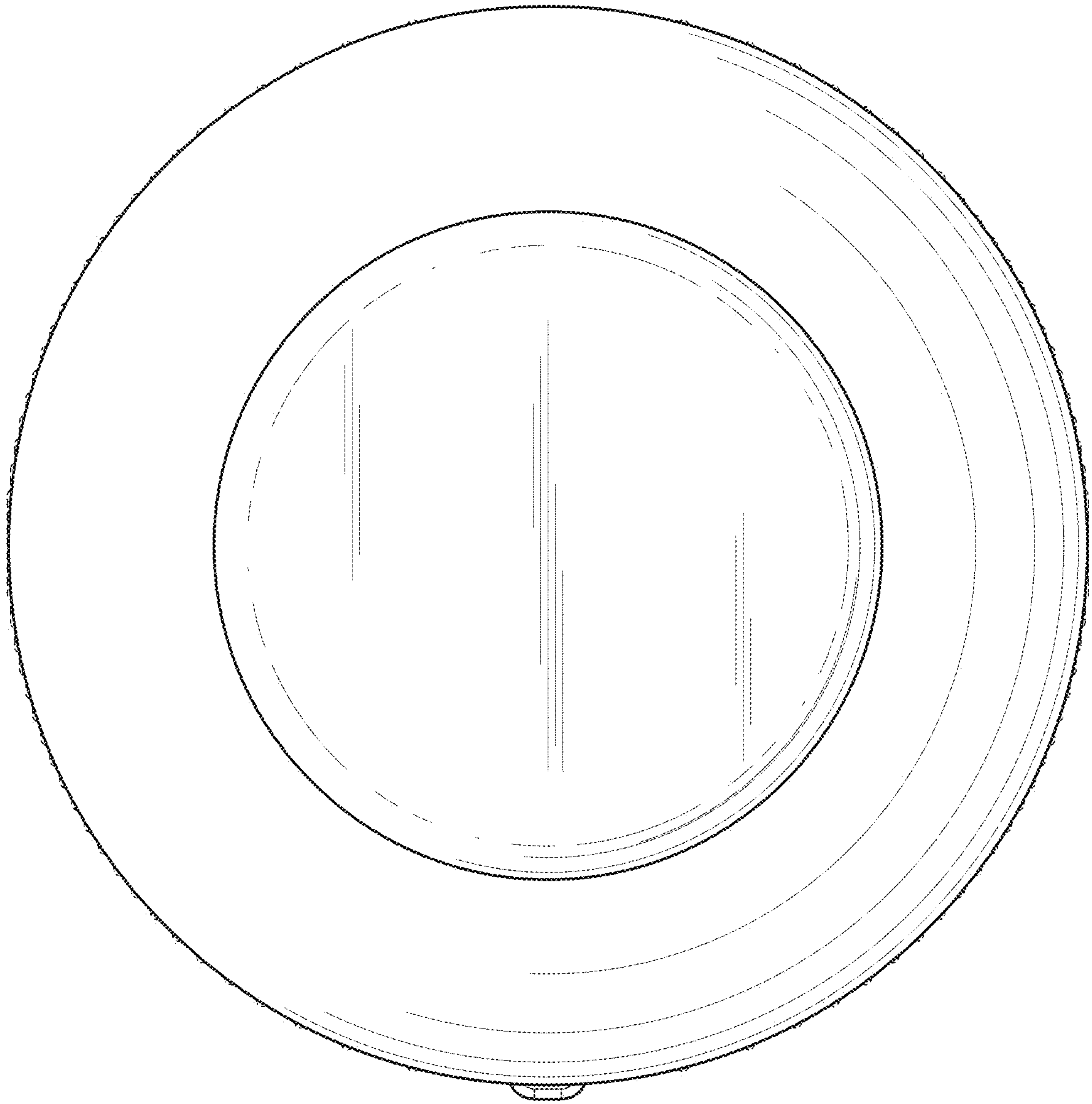


FIG. 7