



US00D880740S

(12) **United States Design Patent**
Galli

(10) **Patent No.:** **US D880,740 S**
(45) **Date of Patent:** **** Apr. 7, 2020**

- (54) **FLASHLIGHT**
- (71) Applicant: **Emissive Energy Corp.**, North Kingstown, RI (US)
- (72) Inventor: **Robert D. Galli**, North Kingstown, RI (US)
- (73) Assignee: **Emissive Energy Corp.**, North Kingstown, RI (US)
- (**) Term: **15 Years**
- (21) Appl. No.: **29/650,211**
- (22) Filed: **Jun. 5, 2018**

6,622,416	B2	9/2003	Kim	
D495,078	S *	8/2004	Galli	D26/49
D501,054	S *	1/2005	Galli	D26/37
D557,839	S *	12/2007	Shiu	D26/37
7,332,682	B2	2/2008	Kim	
D566,309	S *	4/2008	Kornfeld	D26/37
D596,771	S *	7/2009	Lee	D26/46
7,757,422	B1	7/2010	Swan	
8,093,620	B2	1/2012	Galli	
D655,026	S *	2/2012	Schrimmer	D26/38
D673,315	S *	12/2012	Milz	D26/49
D682,974	S *	5/2013	Honigmann	D22/108
8,448,368	B2	5/2013	Cabahug et al.	
8,607,492	B2	12/2013	Hartley et al.	
8,727,556	B2	5/2014	Swan	
8,944,626	B2	2/2015	Matthews et al.	
D740,986	S *	10/2015	Hine	D26/46
D743,598	S *	11/2015	Inskeep	D26/39
D767,187	S *	9/2016	Hine	D26/49

(Continued)

Related U.S. Application Data

- (63) Continuation-in-part of application No. 15/607,451, filed on May 27, 2017, now Pat. No. 10,151,564.
- (51) **LOC (12) Cl.** **26-02**
- (52) **U.S. Cl.**
USPC **D26/46**
- (58) **Field of Classification Search**
USPC D26/37-51
CPC F21L 2003/00; F21L 4/00; F21L 4/005;
F21L 4/02; F21L 4/025; F21L 4/027;
F21L 4/04; F21L 4/08; F21L 2005/00;
F21L 7/00; F21L 11/00; F21L 13/00;
F21L 13/04; F21L 13/08; F21L 14/02;
F21L 17/00; F21L 19/00; F21L 25/00
See application file for complete search history.

Primary Examiner — Jeffrey D Asch
Assistant Examiner — Carissa C Fitts
 (74) *Attorney, Agent, or Firm* — Barlow, Josephs & Holmes, Ltd.

(57) **CLAIM**

The ornamental design for a flashlight, as shown and described.

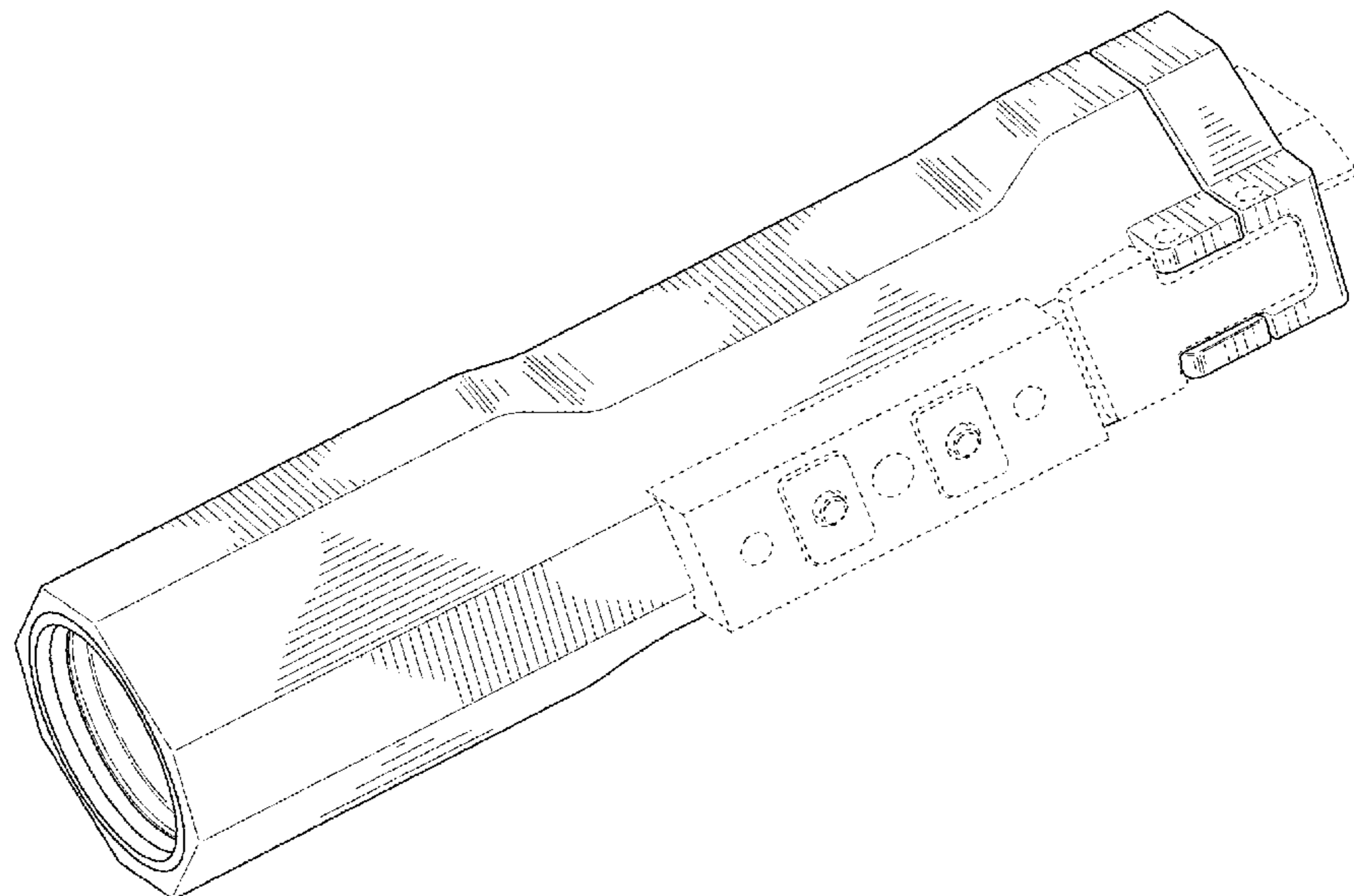
DESCRIPTION

FIG. 1 is a perspective view of a flashlight in accordance with the present design;
 FIG. 2 is a front view thereof;
 FIG. 3 is a rear view thereof;
 FIG. 4 is a left side view thereof;
 FIG. 5 is a right view thereof;
 FIG. 6 is a top view thereof; and,
 FIG. 7 is a bottom view thereof.
 The broken lines show portions of the article which form no part of the claimed design.

(56) **References Cited**
 U.S. PATENT DOCUMENTS

5,584,137	A	12/1996	Teetzel	
D442,307	S *	5/2001	Parker	D26/49
D455,510	S *	4/2002	Galli	D26/37
D473,961	S *	4/2003	Galli	D26/49
D476,103	S *	6/2003	Galli	D26/37

1 Claim, 7 Drawing Sheets



(56)

References Cited

U.S. PATENT DOCUMENTS

D780,356 S * 2/2017 Nguyen D26/49
9,562,550 B2 2/2017 Swan et al.
D790,097 S * 6/2017 Port D26/39
D792,625 S * 7/2017 Koshiba D26/49
D808,556 S * 1/2018 Patel D26/46
D811,636 S * 2/2018 Galli D26/49
D818,621 S * 5/2018 Kunzendorf D26/49
D823,510 S * 7/2018 Kunzendorf D26/49
D841,849 S * 2/2019 Ladnier D26/38
D857,268 S * 8/2019 Worman D26/60
2007/0227056 A1 10/2007 Howe et al.
2011/0162251 A1 7/2011 Houde-Walter
2013/0061504 A1 3/2013 Malherbe et al.
2014/0063791 A1 3/2014 Frazier
2014/0092588 A1 4/2014 Toman et al.
2015/0159847 A1 6/2015 Galli et al.
2015/0316355 A1 11/2015 Boswell
2016/0341521 A1 11/2016 Bigby et al.
2016/0348880 A1* 12/2016 Galli F21V 21/0885

* cited by examiner

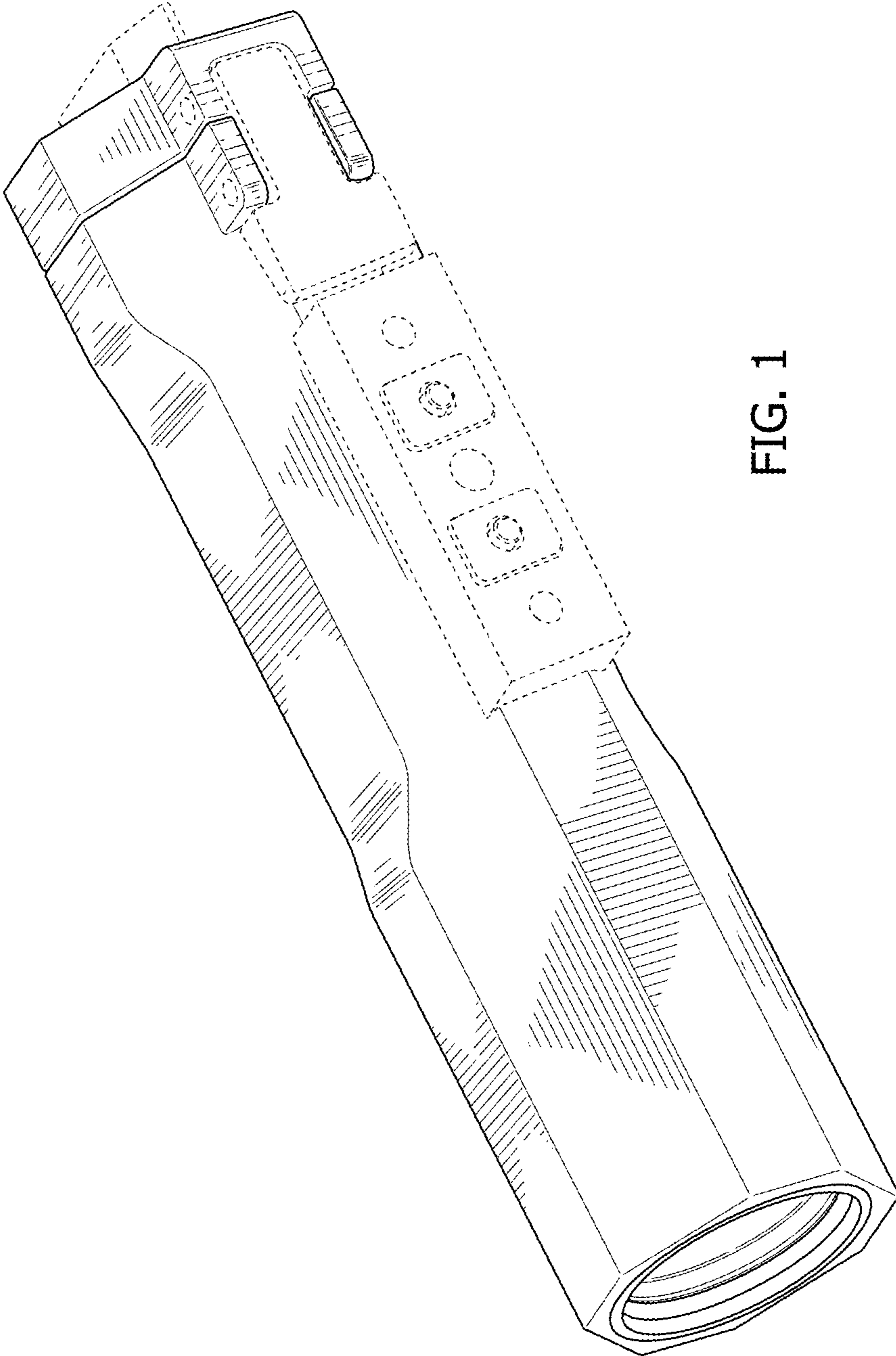


FIG. 1

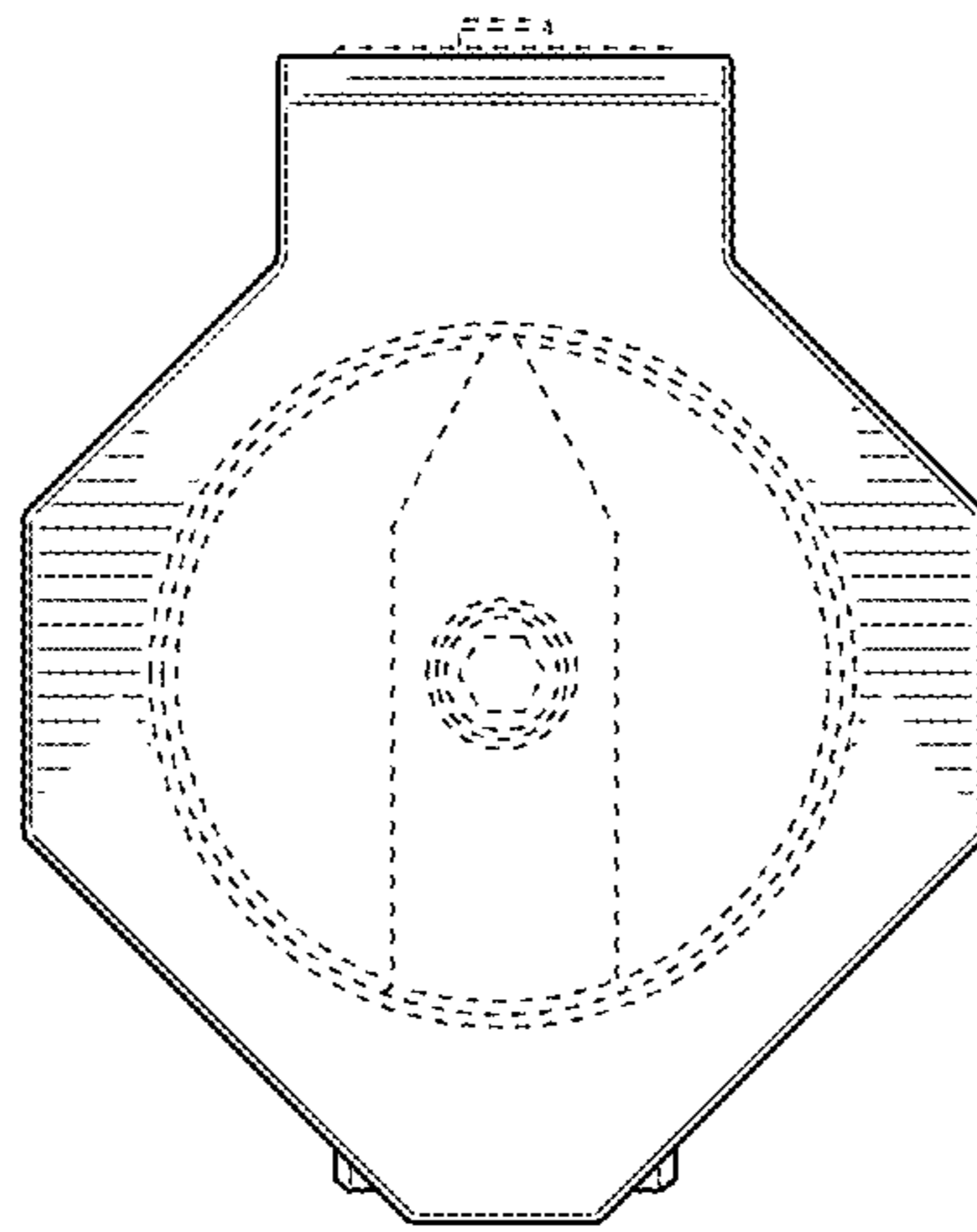


FIG. 2

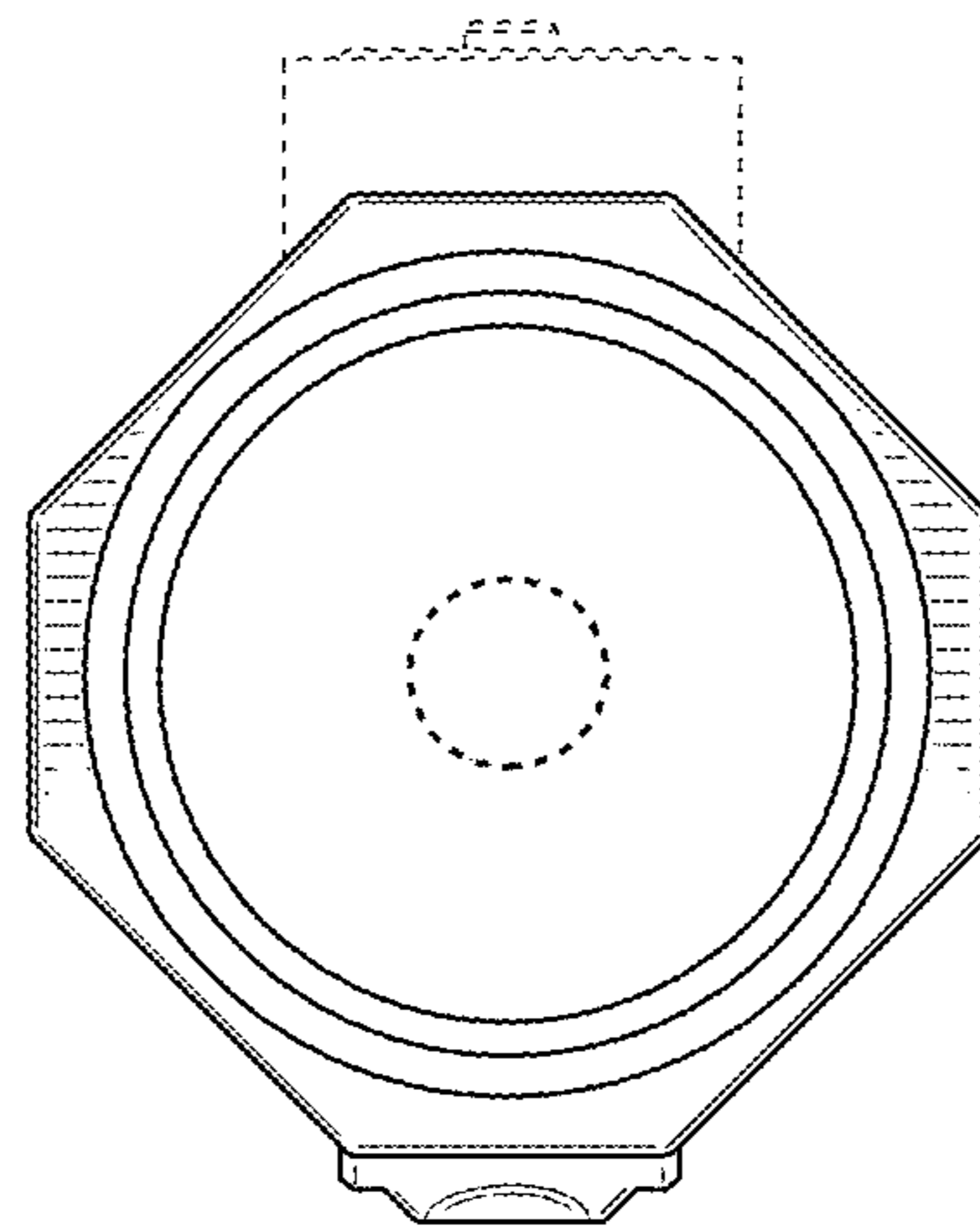


FIG. 3

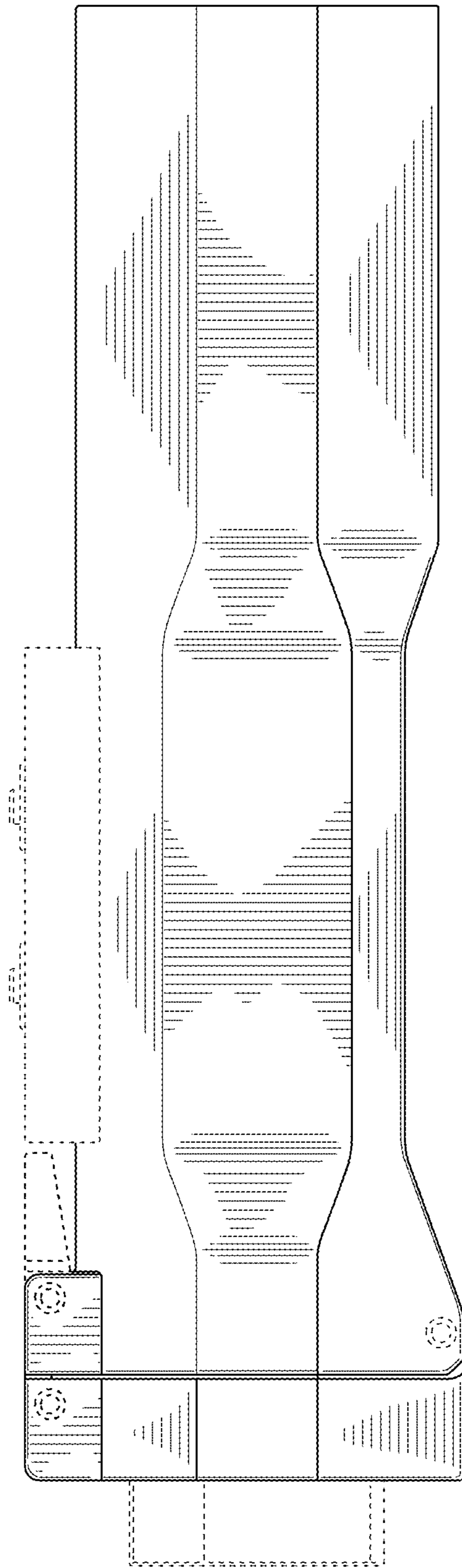


FIG. 4

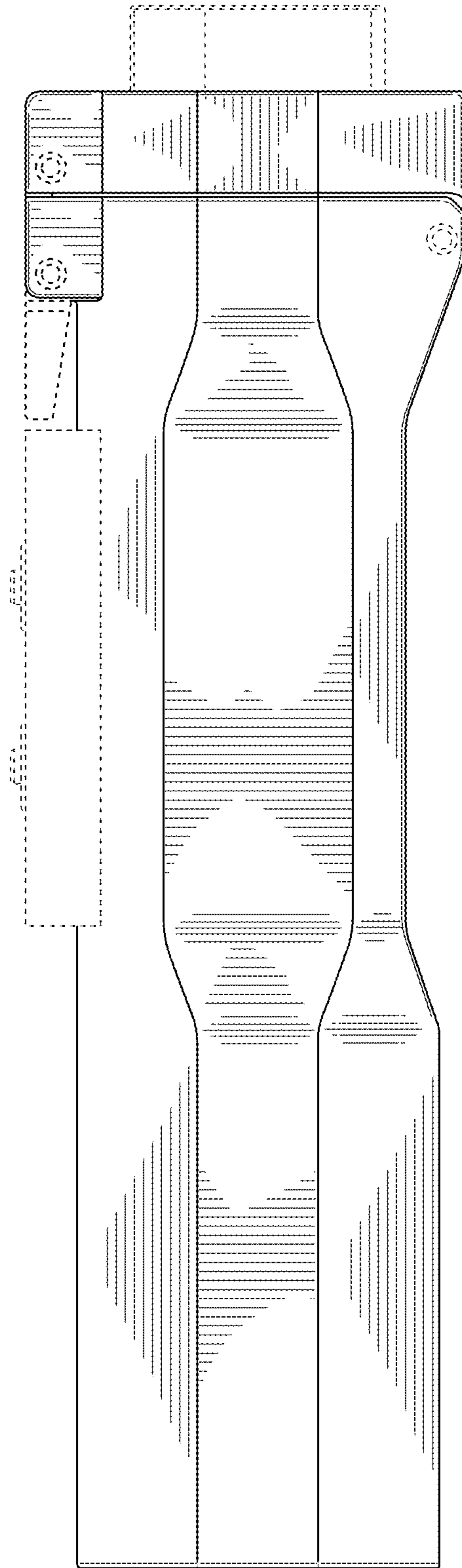


FIG. 5

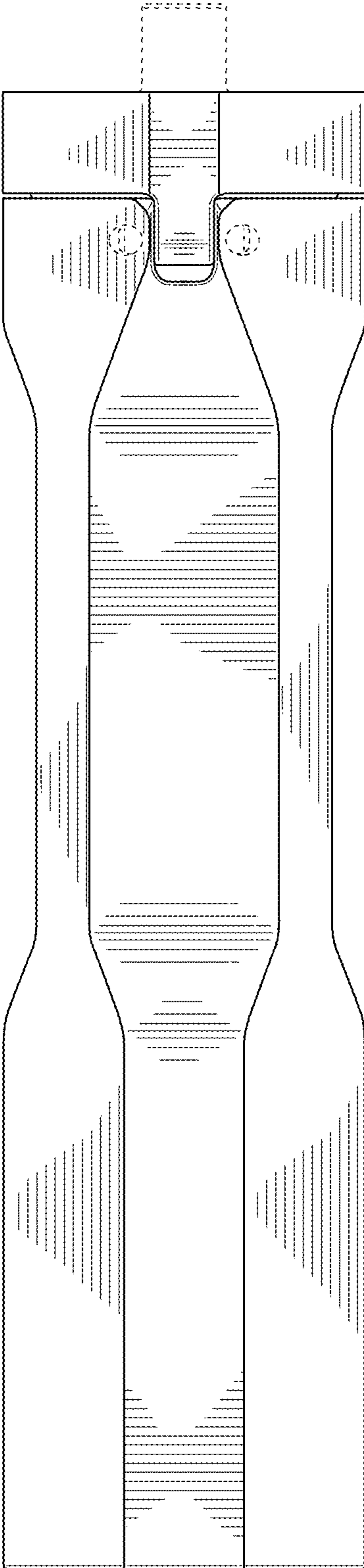


FIG. 6

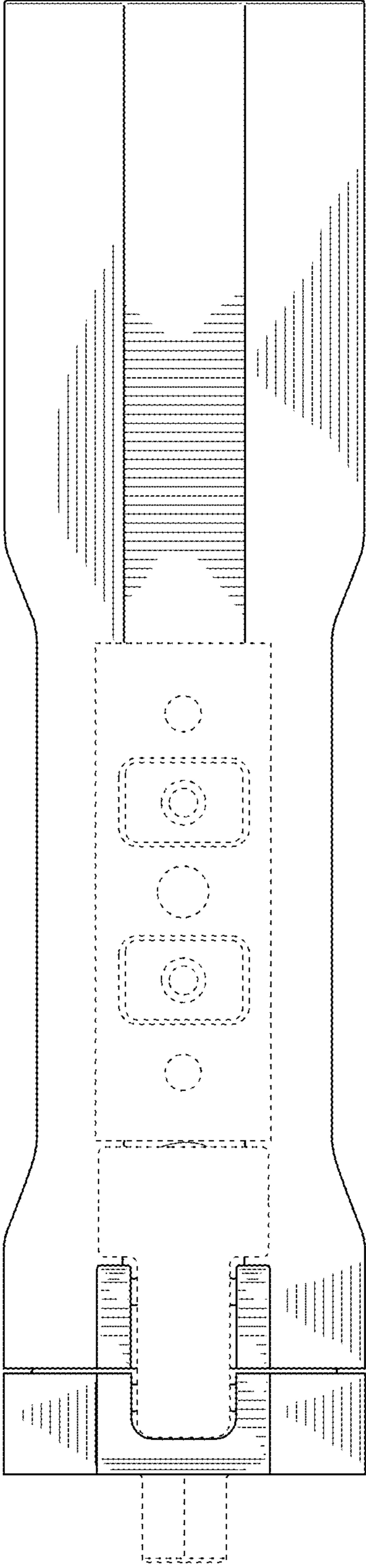


FIG. 7