



US00D880737S

(12) **United States Design Patent** (10) **Patent No.:** **US D880,737 S**
Ninov et al. (45) **Date of Patent:** **** Apr. 7, 2020**

(54) **HEAD LAMP**

(56) **References Cited**

(71) Applicants: **Deyan Ninov**, Royal Oak, MI (US);
Michael Gillam, Oxford, MI (US);
Gregory A Howell, Farmington, MI (US)

U.S. PATENT DOCUMENTS

D593,233 S *	5/2009	Bai	D26/28
D674,938 S *	1/2013	Lai	A47G 19/2255
				D26/28
D740,978 S *	10/2015	Lee	D26/28
D787,721 S *	5/2017	Lai	D26/28
D802,812 S *	11/2017	Lai	D26/28
D809,682 S *	2/2018	Lin	D26/28
D822,241 S *	7/2018	Lee	D26/28
D824,058 S *	7/2018	Hong	D26/28

(72) Inventors: **Deyan Ninov**, Royal Oak, MI (US);
Michael Gillam, Oxford, MI (US);
Gregory A Howell, Farmington, MI (US)

(73) Assignee: **FCA US LLC**, Auburn Hills, MI (US)

* cited by examiner

(**) Term: **15 Years**

Primary Examiner — Marcus A Jackson

(21) Appl. No.: **29/673,408**

(74) *Attorney, Agent, or Firm* — Ralph E. Smith

(22) Filed: **Dec. 14, 2018**

(57) **CLAIM**

Related U.S. Application Data

The ornamental design for an head lamp, as shown and described.

(63) Continuation-in-part of application No. 29/626,553, filed on Nov. 17, 2017, now Pat. No. Des. 837,099, and a continuation-in-part of application No. 29/626,566, filed on Nov. 17, 2017, now Pat. No. Des. 836,036.

DESCRIPTION

(51) **LOC (12) Cl.** **26-06**

FIG. 1 is a front perspective view of a head lamp showing our new design;
FIG. 2 is a front view thereof;
FIG. 3 is a rear view thereof;
FIG. 4 is a side view thereof;
FIG. 5 is a top view thereof; and,
FIG. 6 is a bottom view thereof.

(52) **U.S. Cl.**

USPC **D26/28**

(58) **Field of Classification Search**

USPC D26/28–36

CPC F21S 48/00; F21S 48/10; F21S 48/115;

F21S 48/225; F21S 48/1233; F21S

48/1266; F21S 48/1388; F21S 48/2268;

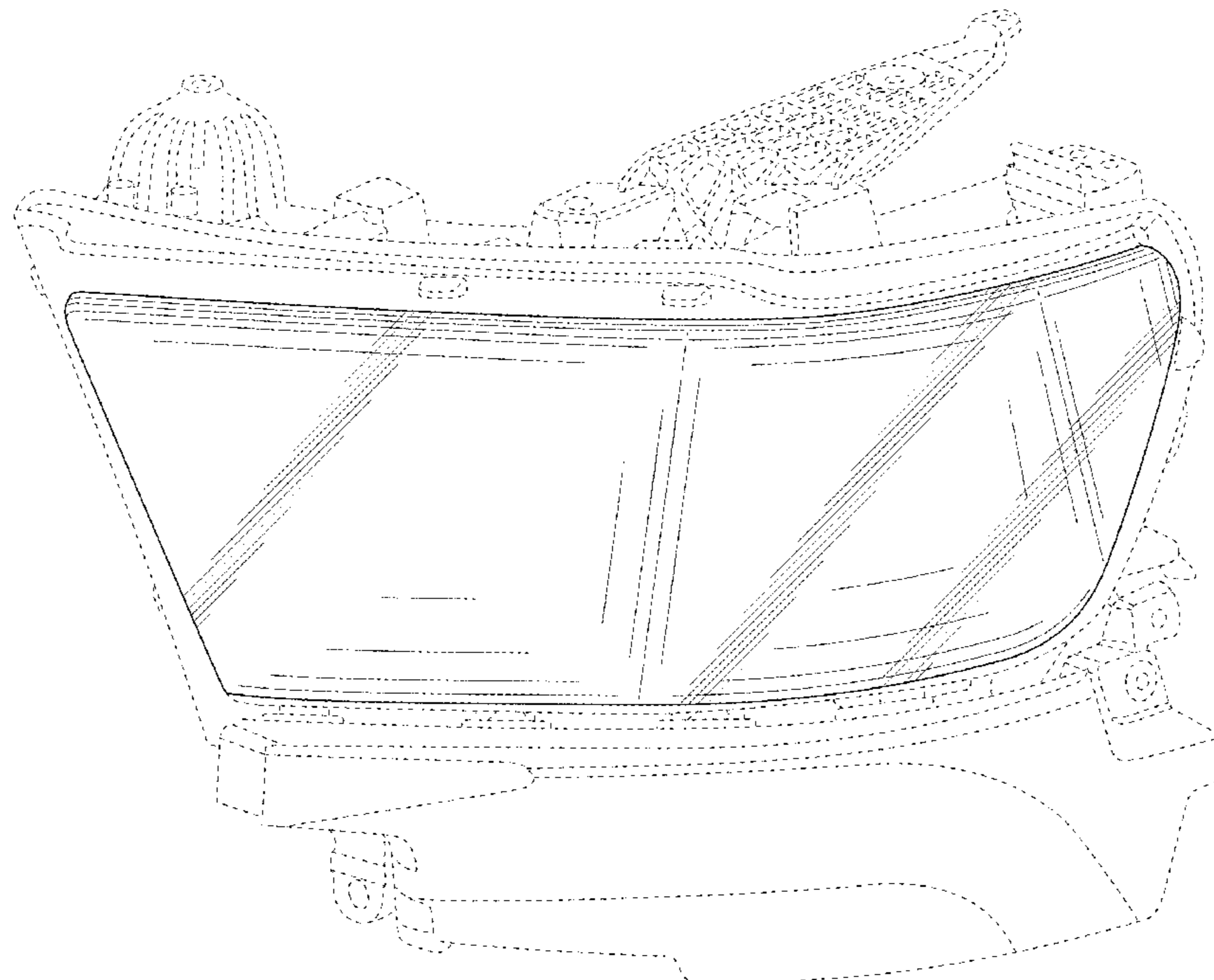
F21V 21/04; F21V 29/004; B60Q 9/13;

B60Q 9/135; B60Q 9/1375

It will be understood that the broken lines shown in the drawings illustrate portions of the head lamp that form no part of the claimed design.

See application file for complete search history.

1 Claim, 6 Drawing Sheets



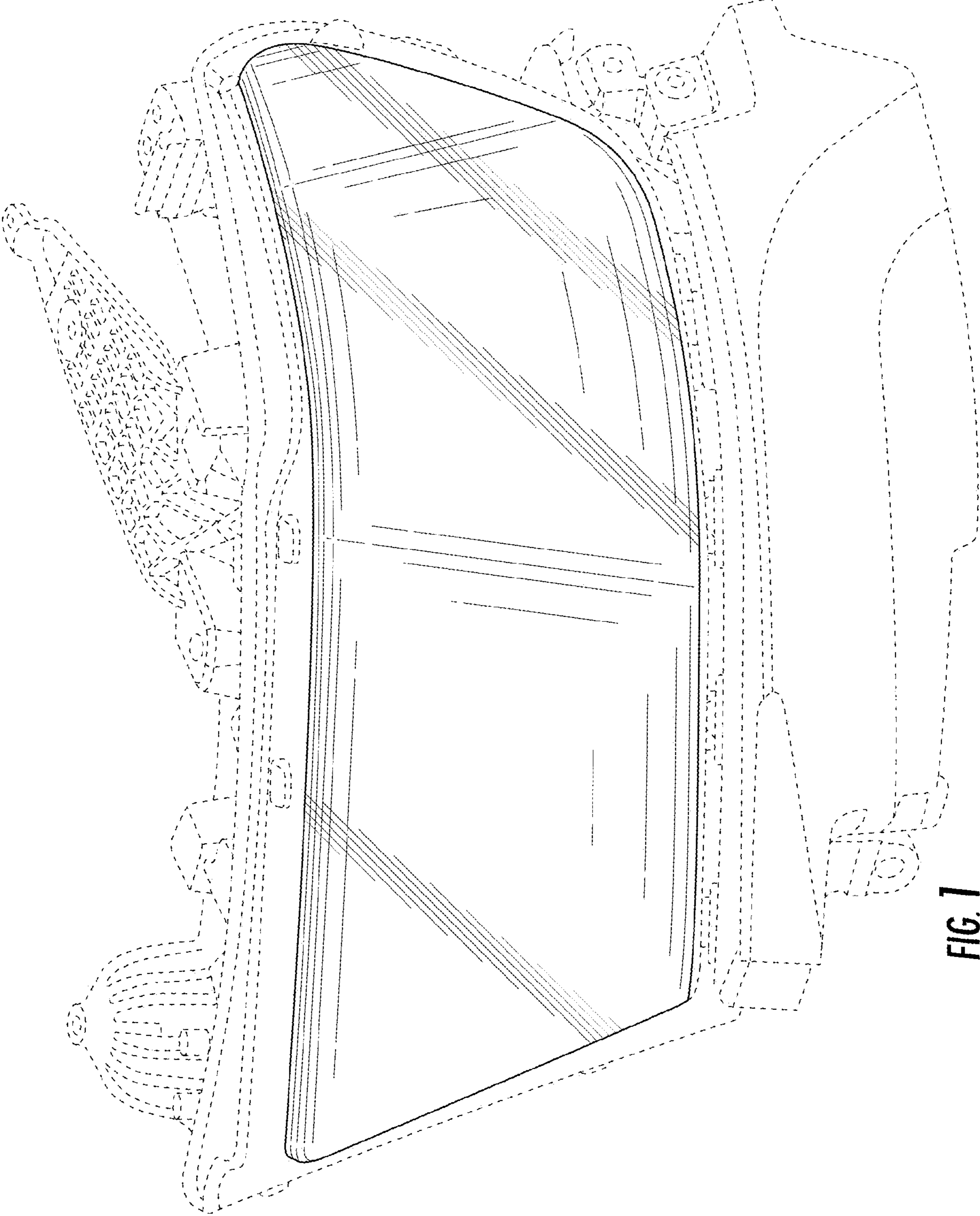


FIG. 1

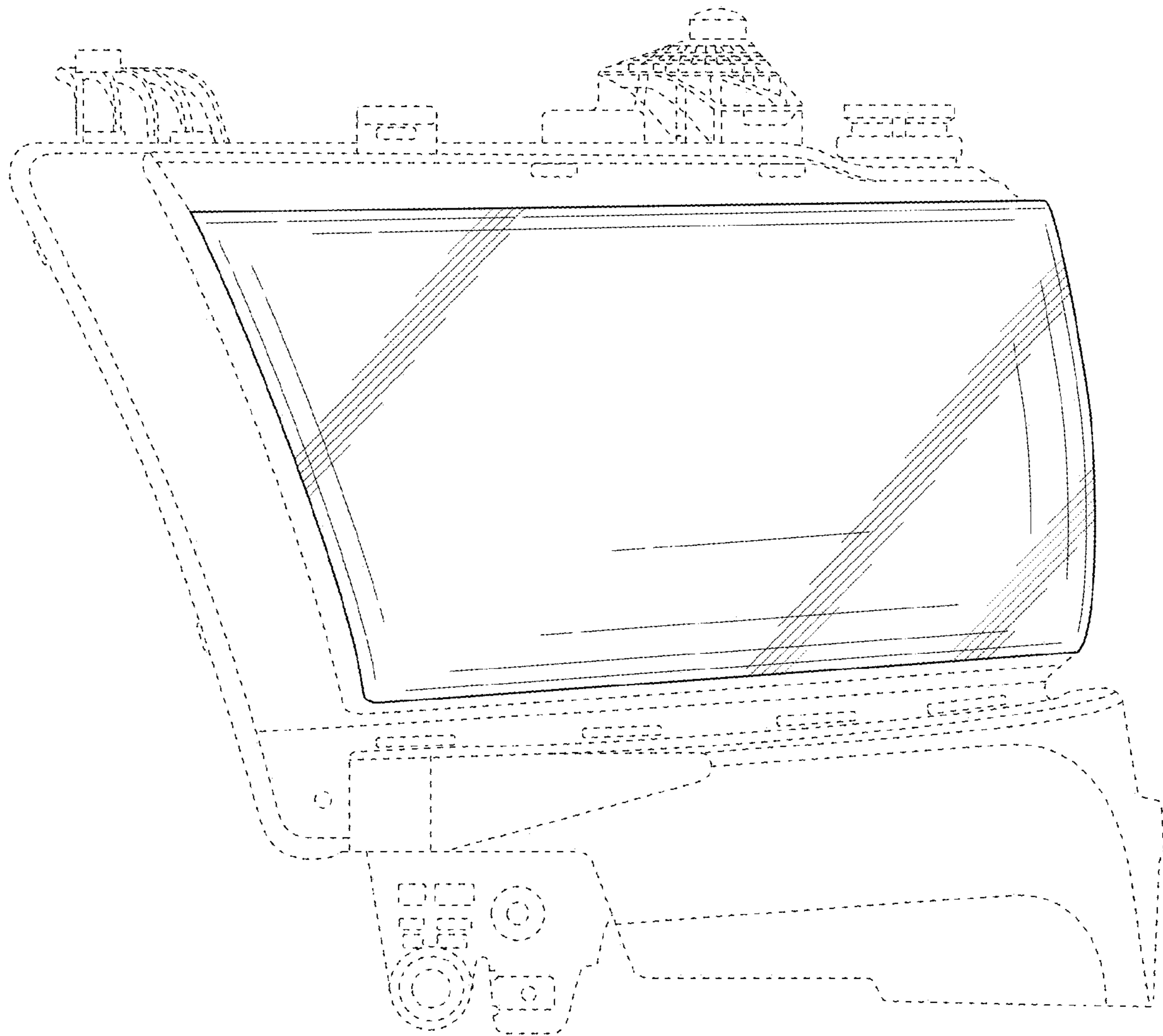


FIG. 2

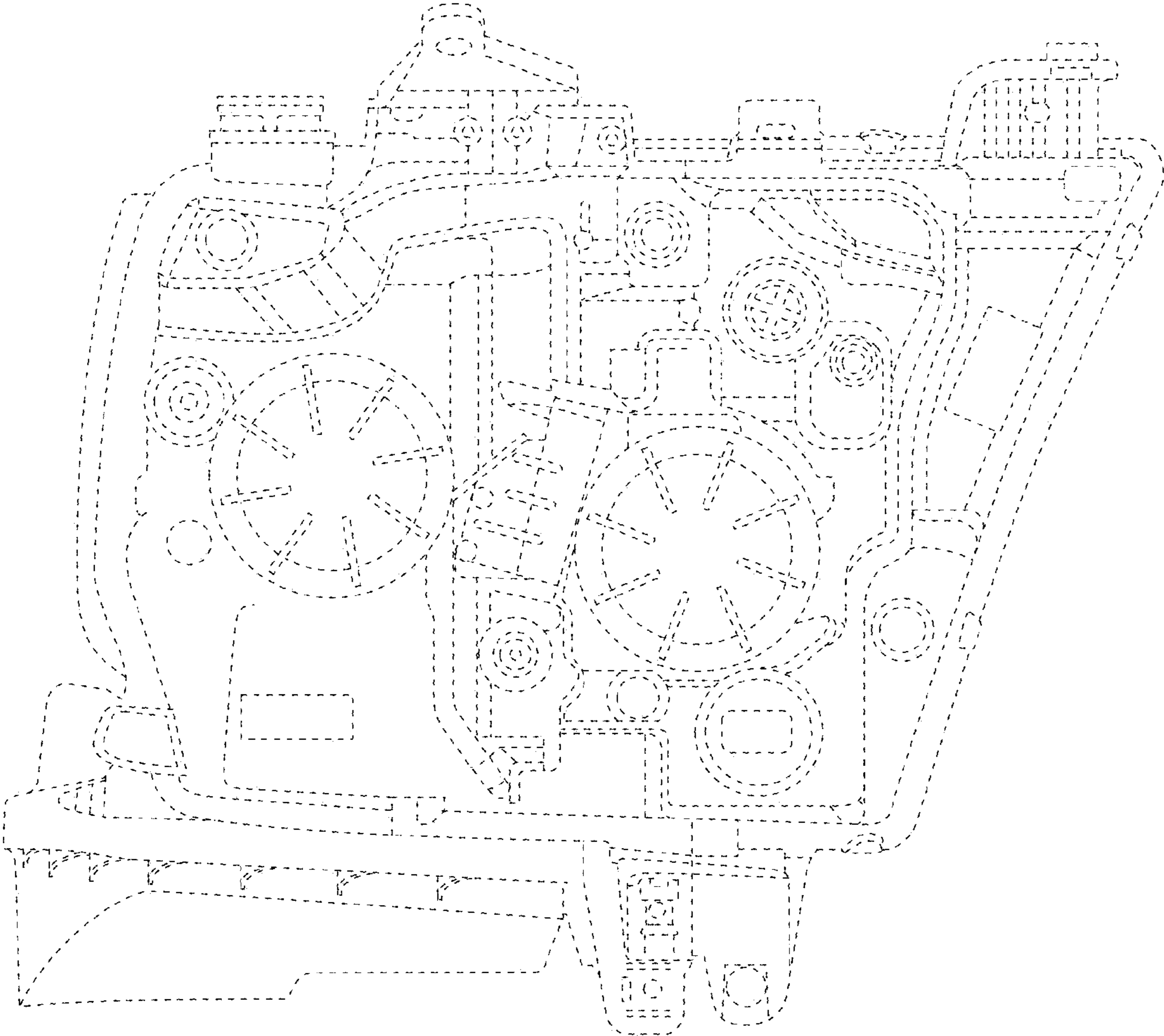


FIG. 3

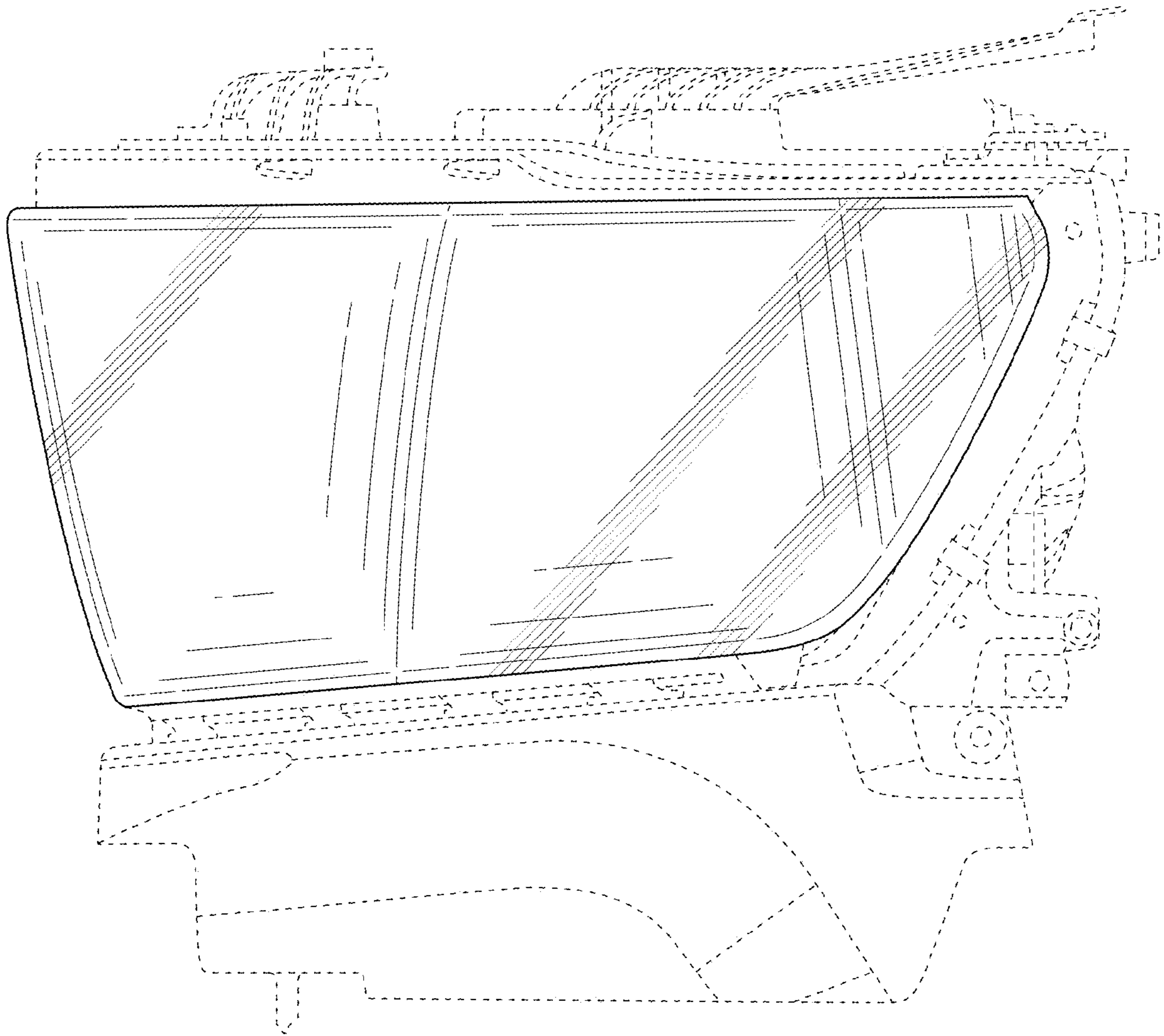


FIG. 4

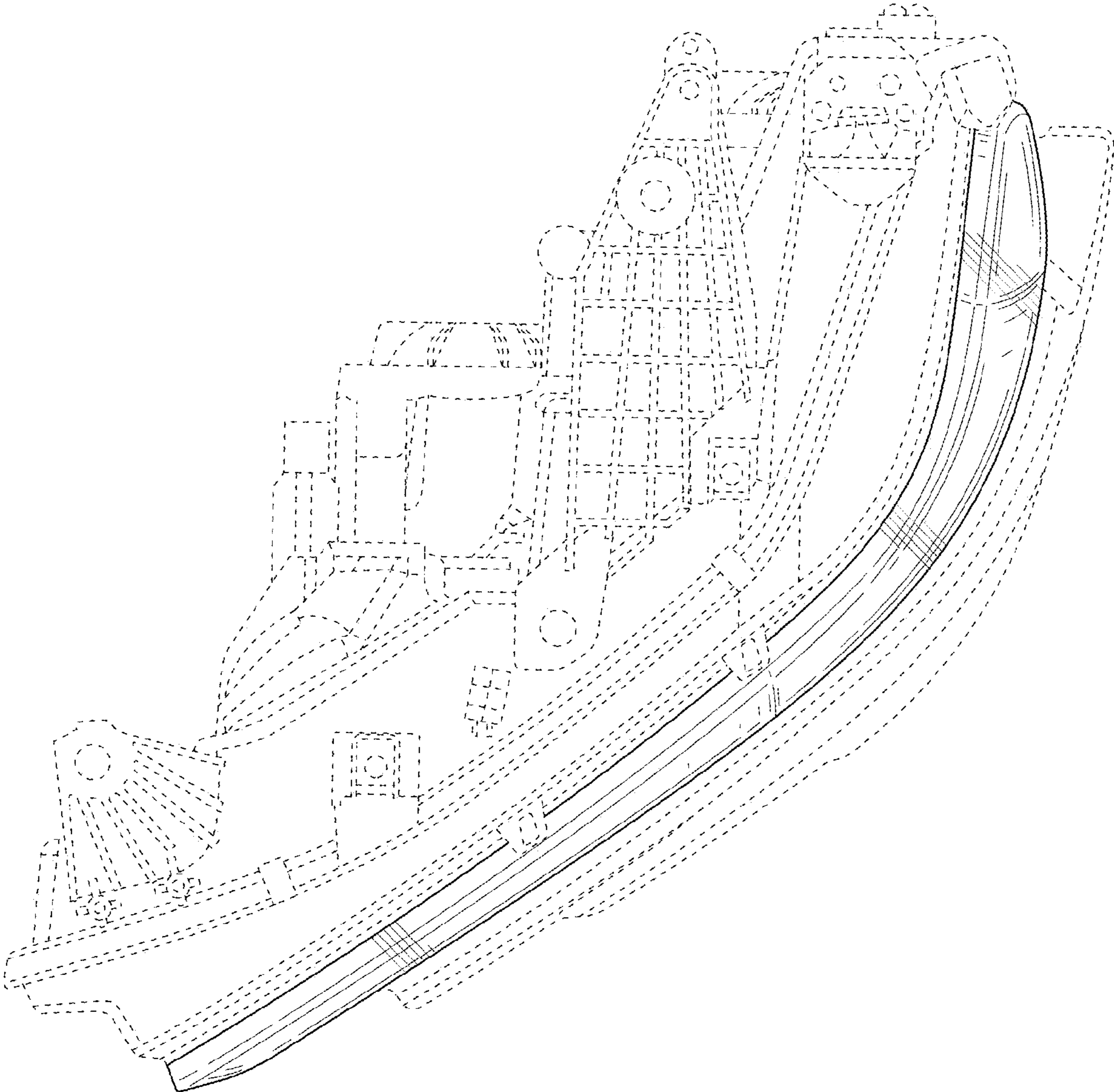


FIG. 5

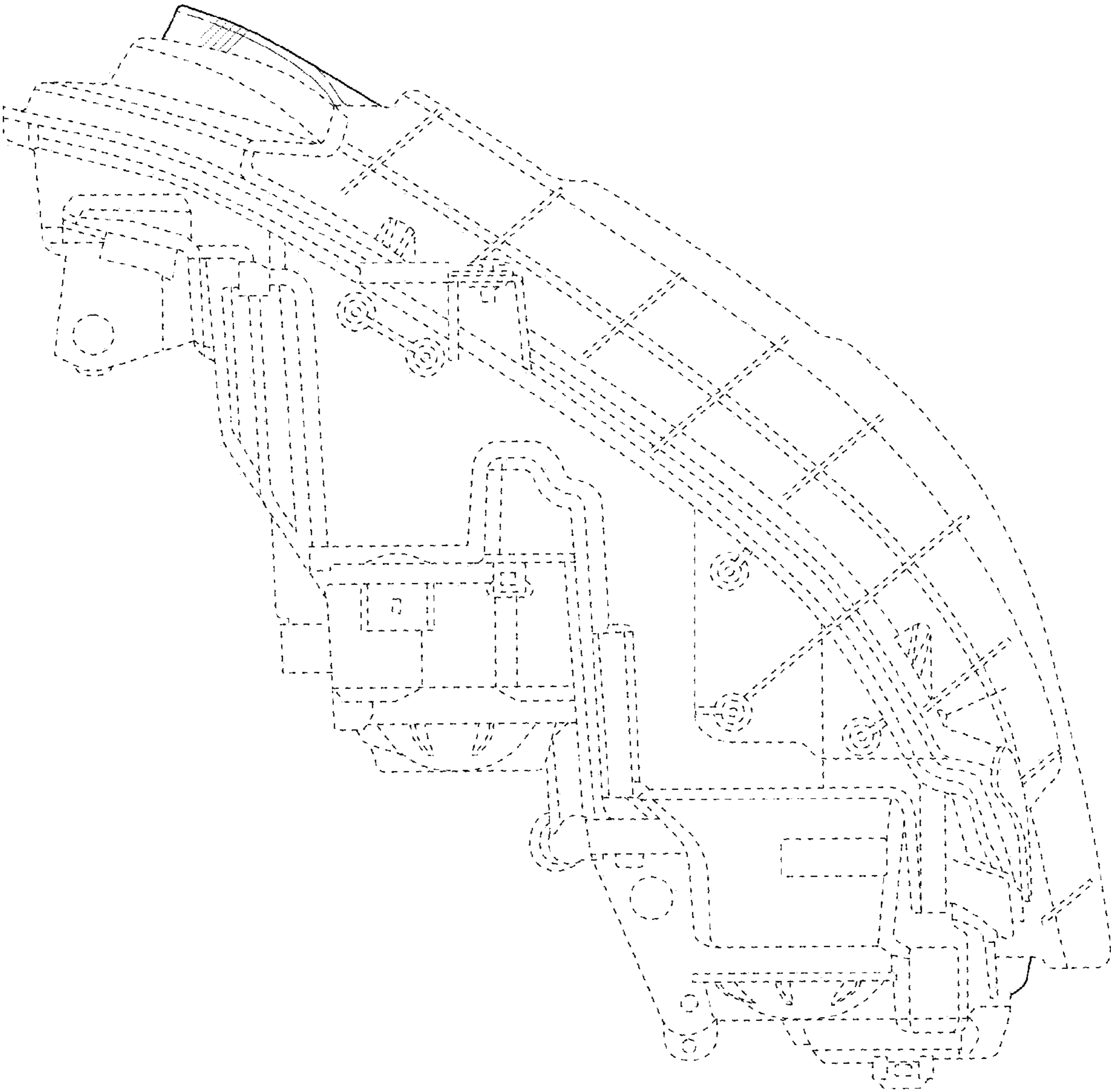


FIG. 6