



US00D880736S

(12) **United States Design Patent**
Hu

(10) **Patent No.:** **US D880,736 S**

(45) **Date of Patent:** **** Apr. 7, 2020**

(54) **HEADLIGHT**

(71) Applicant: **Chun Hu**, Guangzhou (CN)

(72) Inventor: **Chun Hu**, Guangzhou (CN)

(**) Term: **15 Years**

(21) Appl. No.: **29/672,920**

(22) Filed: **Dec. 10, 2018**

(51) **LOC (12) Cl.** **26-06**

(52) **U.S. Cl.**
USPC **D26/28**

(58) **Field of Classification Search**

USPC D26/28-36, 139

CPC F21S 48/00; F21S 48/10; F21S 48/115;

F21S 48/225; F21S 48/1233; F21S

48/1266; F21S 48/1388; F21S 48/2268;

F21V 21/04; B60Q 9/13; B60Q 9/135;

B60Q 9/1375

See application file for complete search history.

(56) **References Cited**

U.S. PATENT DOCUMENTS

D490,172 S * 5/2004 Yamamoto D26/28

D564,683 S * 3/2008 Roach D26/28

D626,670 S * 11/2010 Metzger D26/28

D688,400 S * 8/2013 Haumann D26/28

D716,477 S * 10/2014 Chu D26/28

D718,478 S * 11/2014 Adams D26/28

* cited by examiner

Primary Examiner — Marcus A Jackson

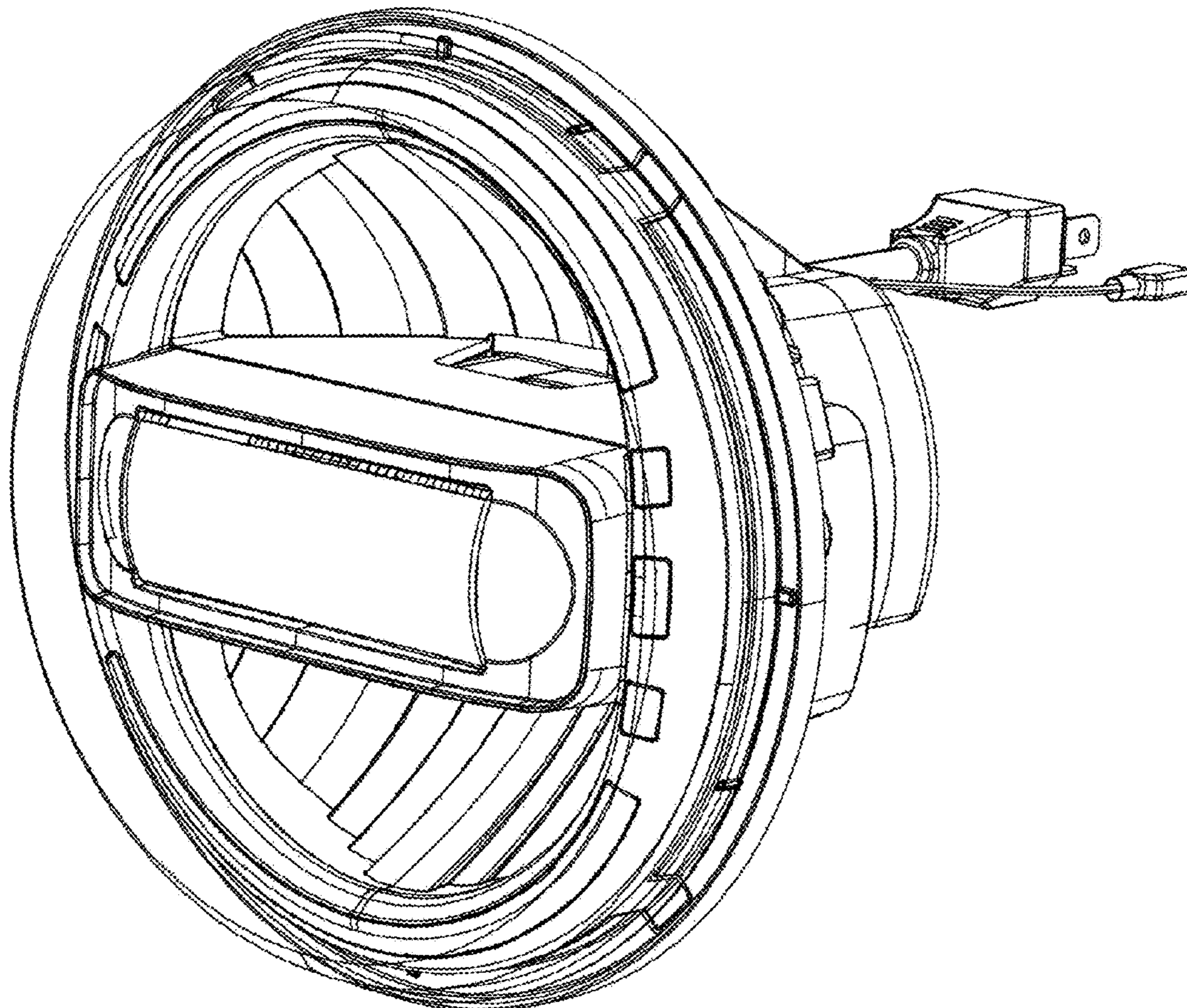
(57) **CLAIM**

The ornamental design for headlight, as shown and described.

DESCRIPTION

FIG. 1 is a rear-front view of my headlight design;
FIG. 2 is a rear-back view thereof;
FIG. 3 is a vertical view thereof;
FIG. 4 is a bottom view thereof;
FIG. 5 is a left-side view thereof;
FIG. 6 is a right-side view thereof;
FIG. 7 is a upper-side view thereof; and,
FIG. 8 is a bottom-side view thereof.

1 Claim, 8 Drawing Sheets



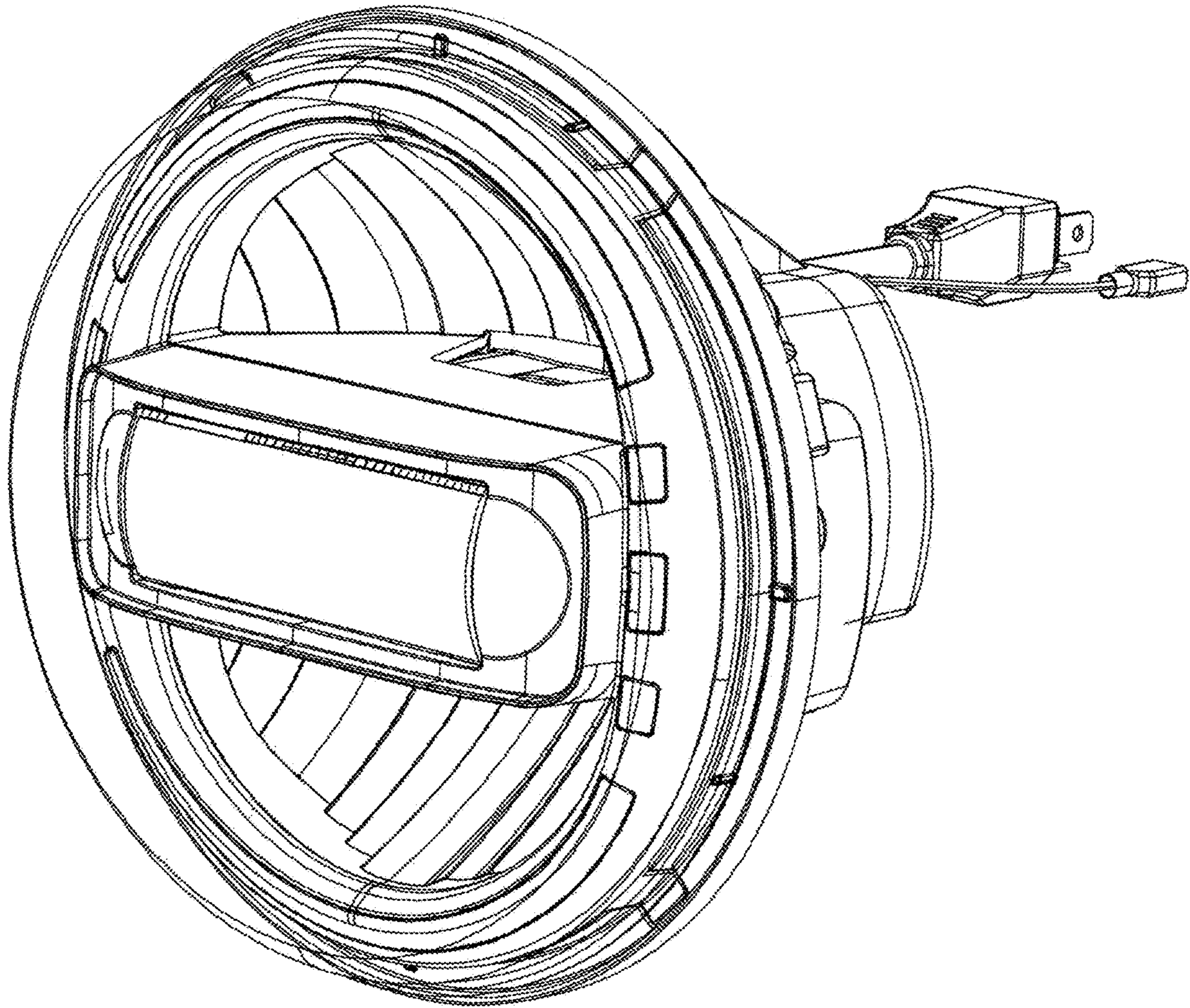


FIG.1

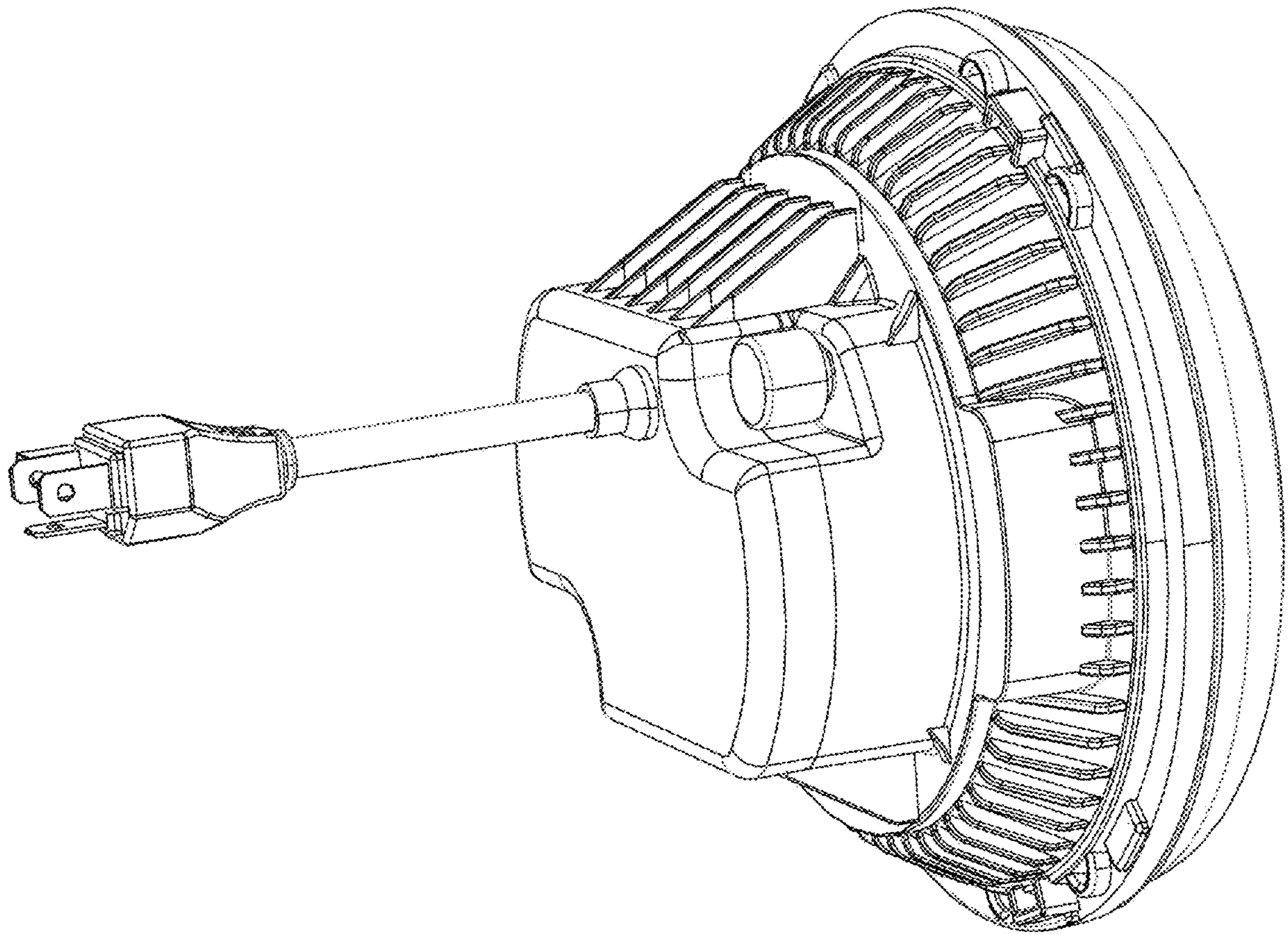


FIG.2

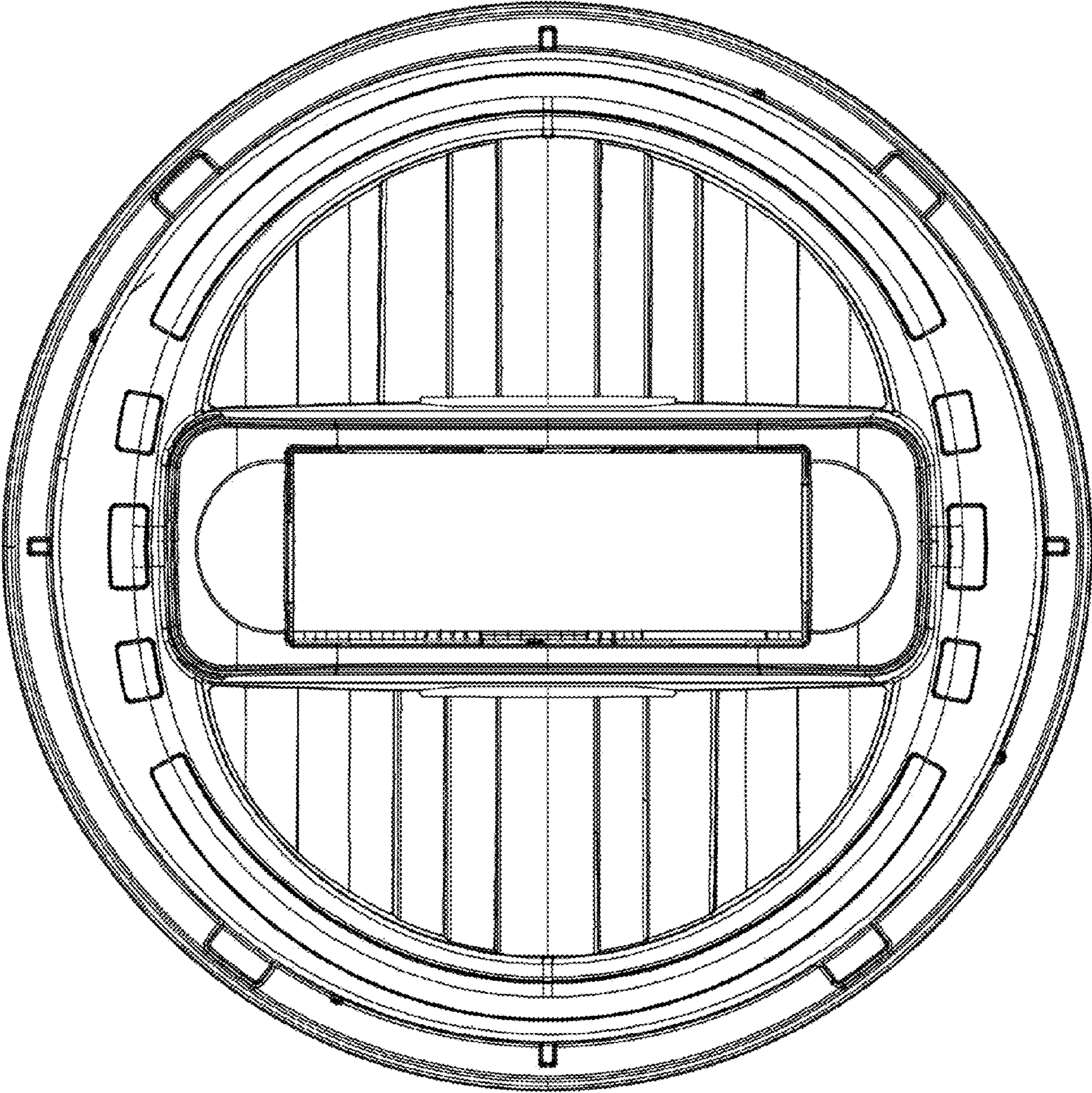


FIG.3

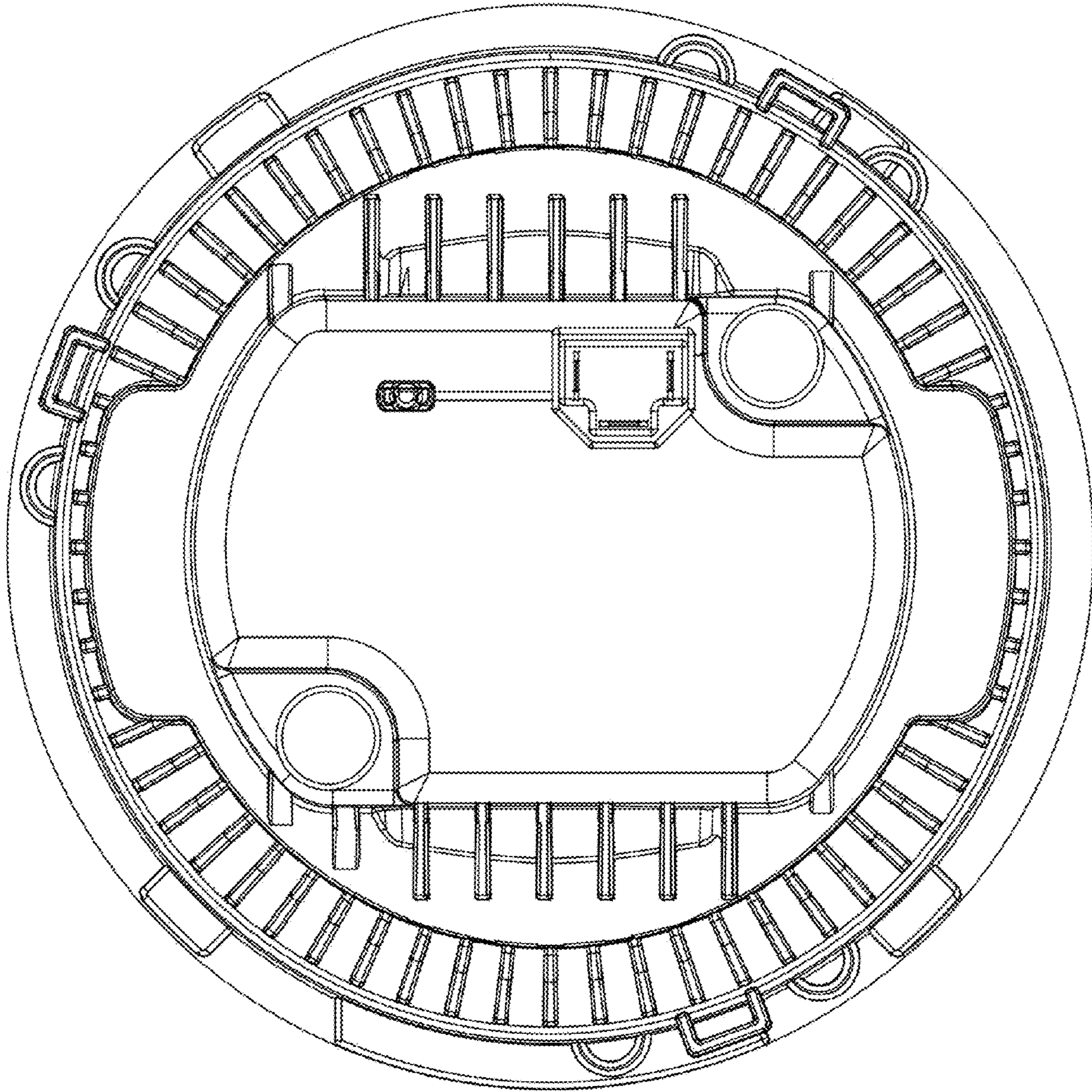


FIG.4

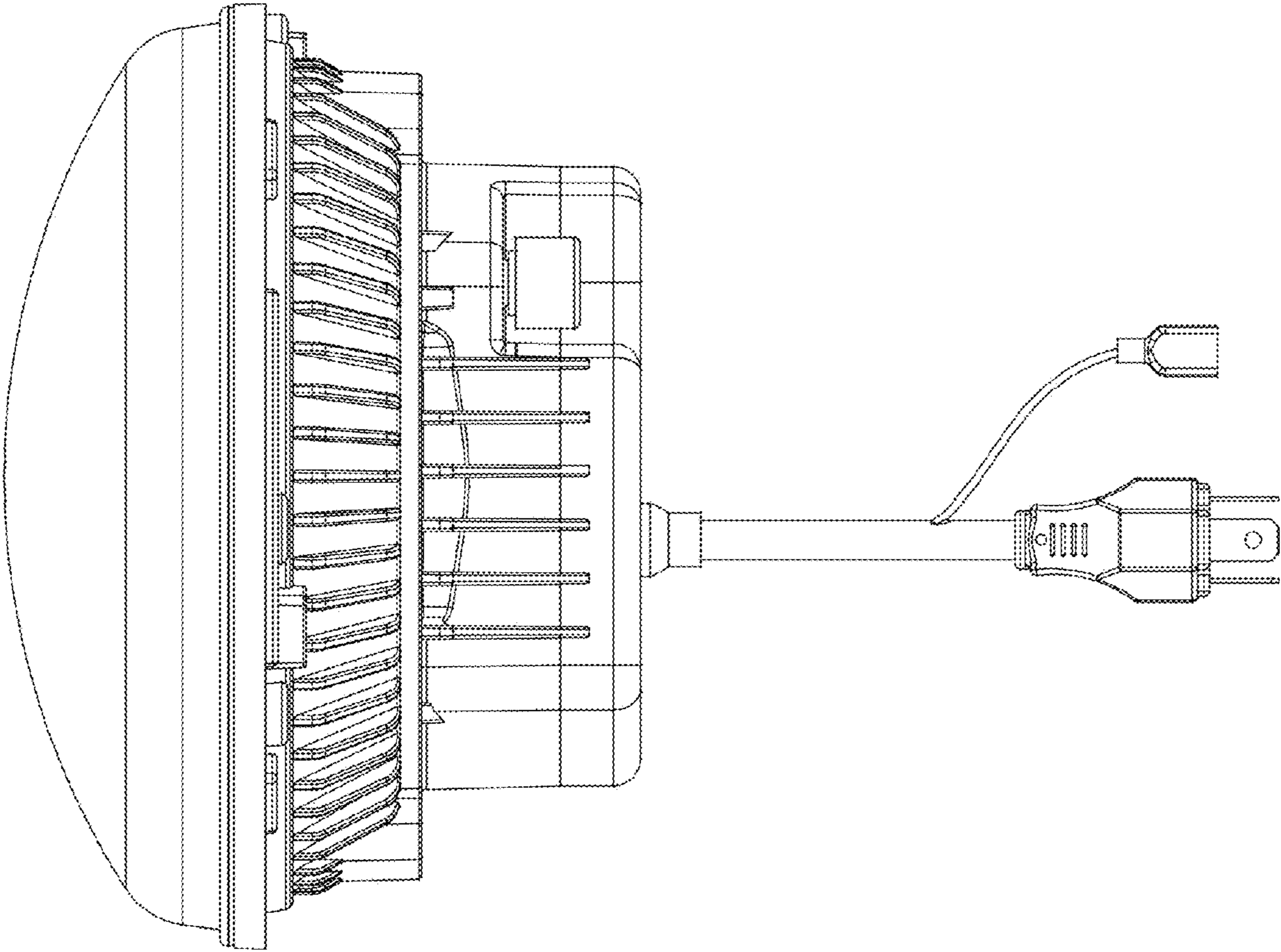


FIG.5

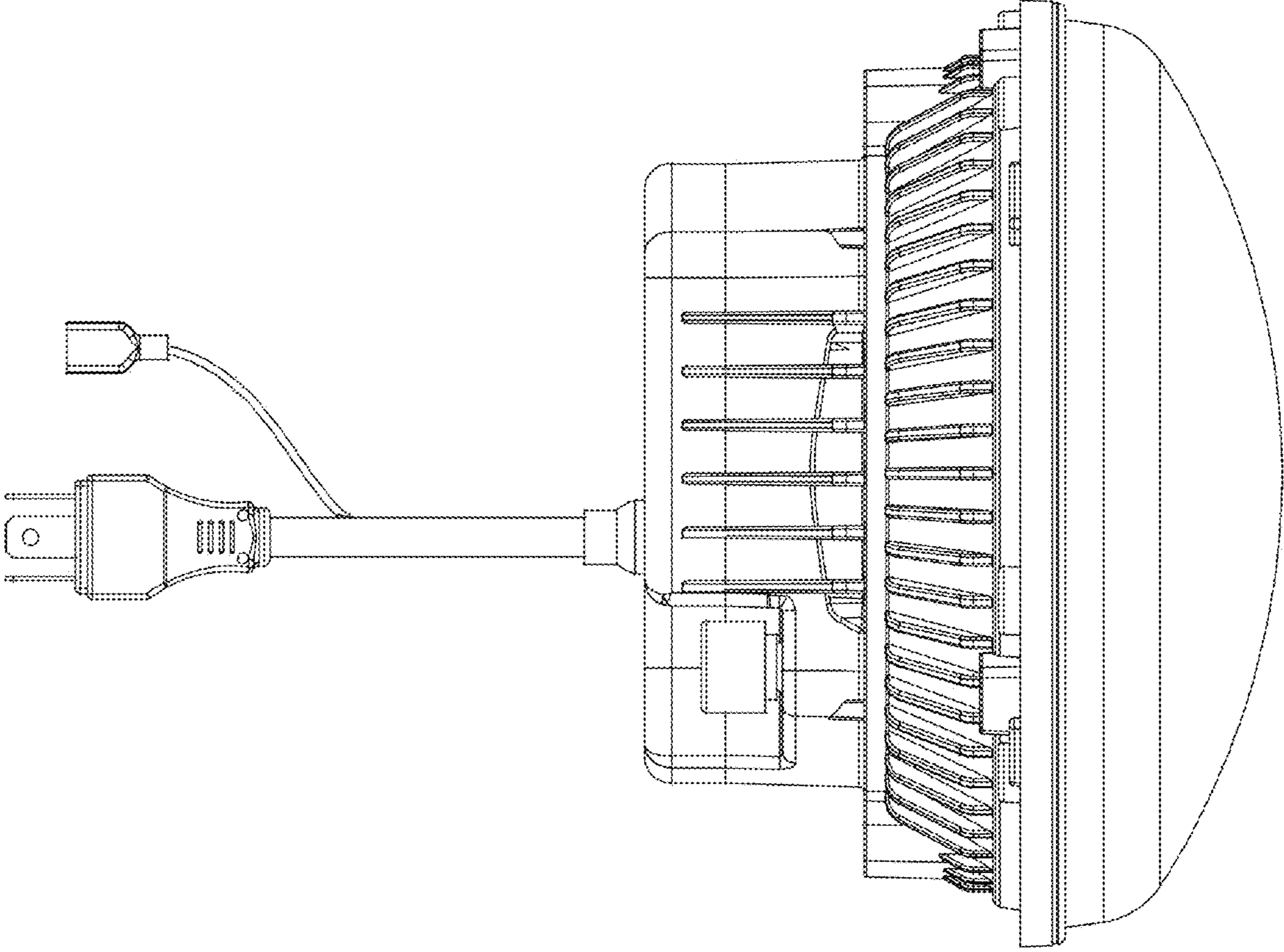


FIG.6

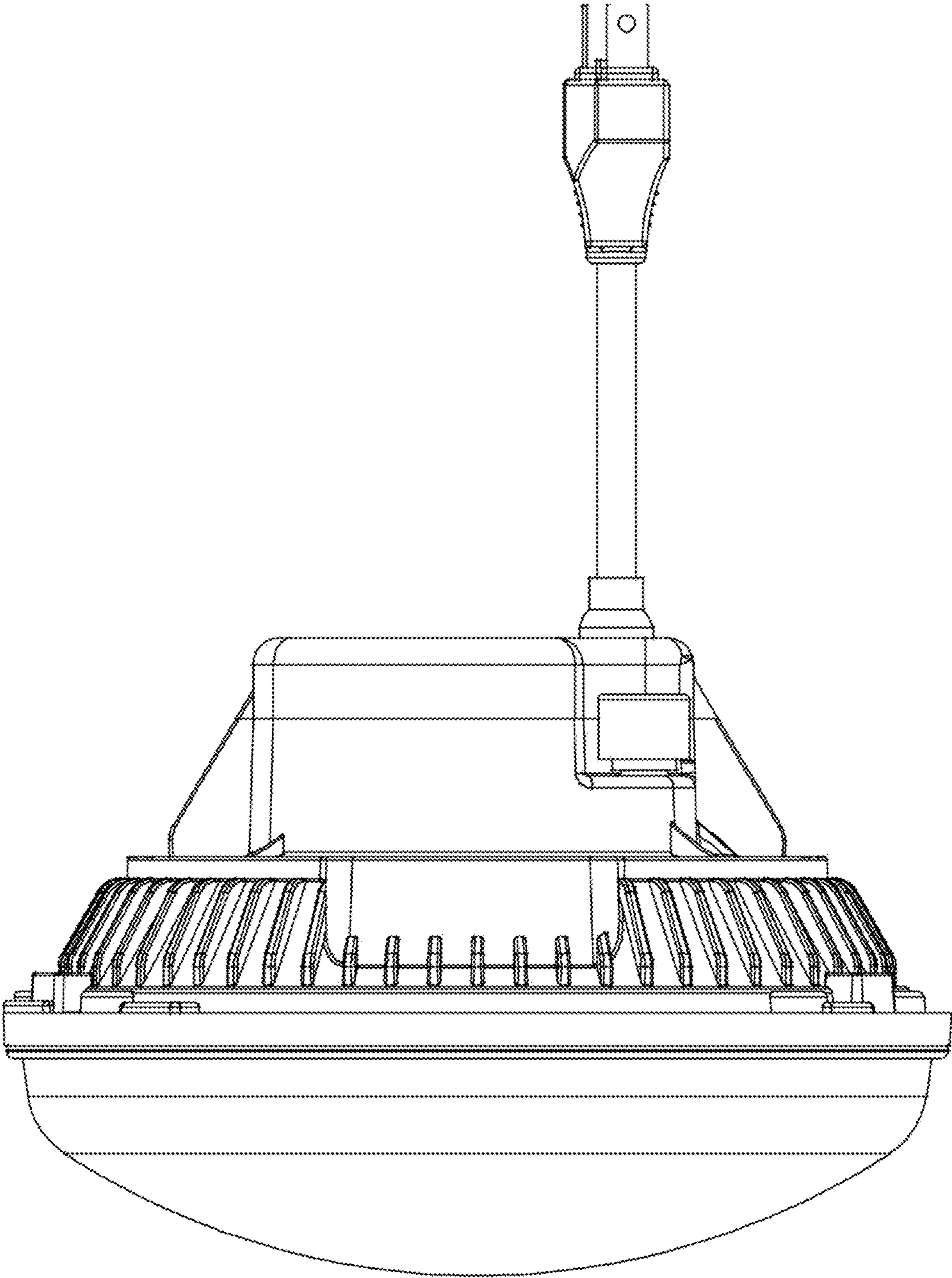


FIG.7

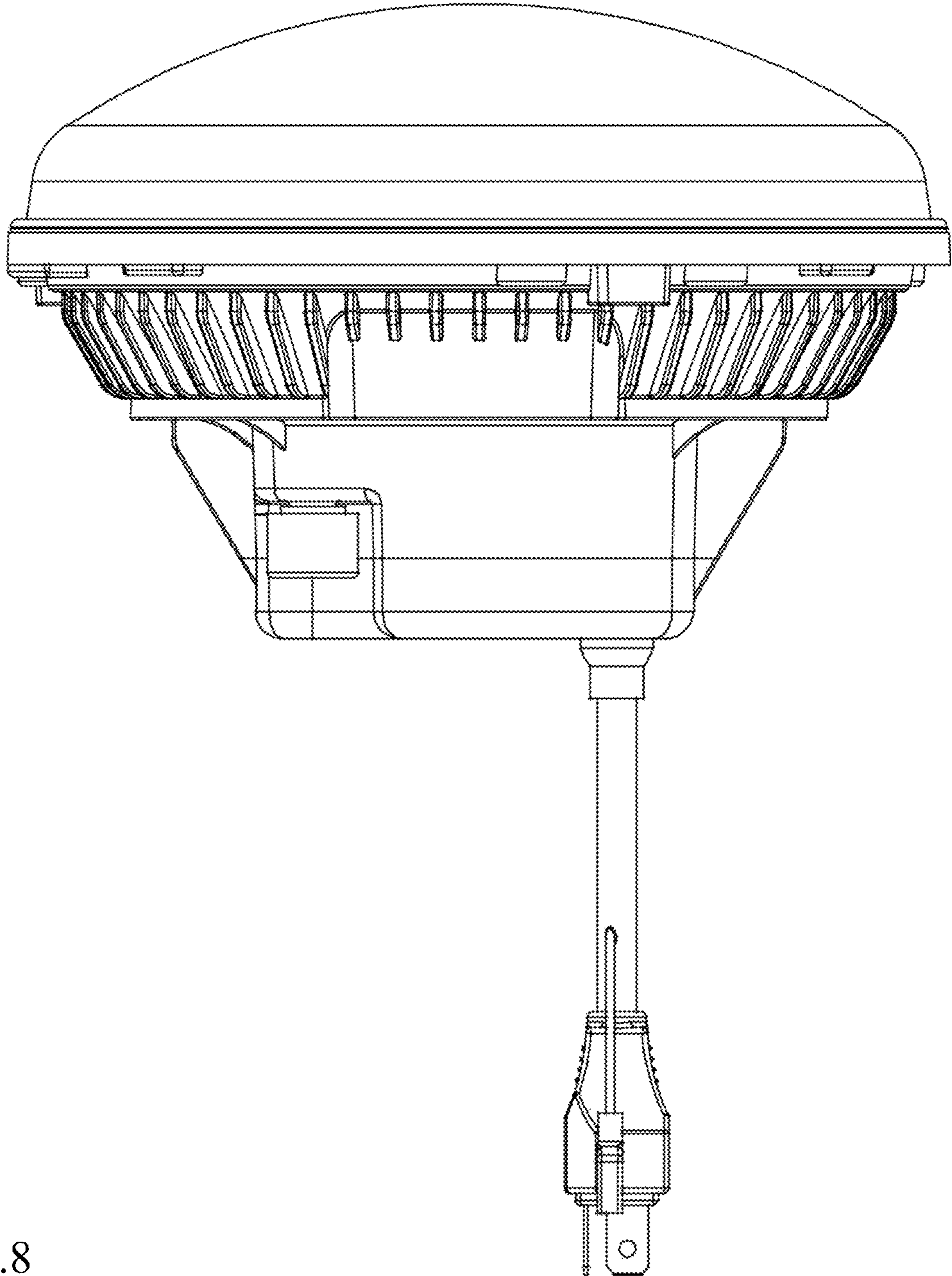


FIG.8