



US00D880733S

(12) **United States Design Patent**  
**Lo et al.**

(10) **Patent No.:** **US D880,733 S**

(45) **Date of Patent:** **\*\* Apr. 7, 2020**

(54) **LIGHT MODULE**

(56) **References Cited**

(71) Applicant: **Meteor Illumination Technologies Inc.**, City of Industry, CA (US)  
(72) Inventors: **Chih-Chieh Lo**, City of Industry, CA (US); **Chih-Hung Lin**, City of Industry, CA (US)  
(73) Assignee: **METEOR ILLUMINATION TECHNOLOGIES, INC.**, City of Industry, CA (US)

U.S. PATENT DOCUMENTS

D508,291 S	*	8/2005	Janssen	.....	D26/1
D548,857 S	*	8/2007	Egawa	.....	D26/1
D600,836 S	*	9/2009	Hanley	.....	D26/1
D625,847 S	*	10/2010	Maglica	.....	D26/1
D626,255 S	*	10/2010	Hiratsuka	.....	D26/1

\* cited by examiner

*Primary Examiner* — Marcus A Jackson

(74) *Attorney, Agent, or Firm* — Juan Carlos A. Marquez; Marquez IP Law Office, PLLC

(\*\*) Term: **15 Years**

(57) **CLAIM**

(21) Appl. No.: **29/622,930**

The ornamental design for a light module, as shown and described.

(22) Filed: **Oct. 20, 2017**

**DESCRIPTION**

(51) **LOC (12) Cl.** ..... **26-04**

(52) **U.S. Cl.**  
USPC ..... **D26/1**

(58) **Field of Classification Search**  
USPC ..... D26/1-4  
CPC ..... H01R 5/00; H01R 13/46; H01R 13/514; H01R 31/048; H01R 31/02; H01J 5/00; H01J 5/16; H01J 1/02; H01J 15/00; H01J 5/48; H01J 5/50; H01J 19/54; F21V 5/00; F21K 9/00

FIG. 1 is a perspective view of a light module showing my new design;

FIG. 2 is a front elevational view of the light module;

FIG. 3 is a rear elevational view of the light module;

FIG. 4 is a left side elevational view of the light module;

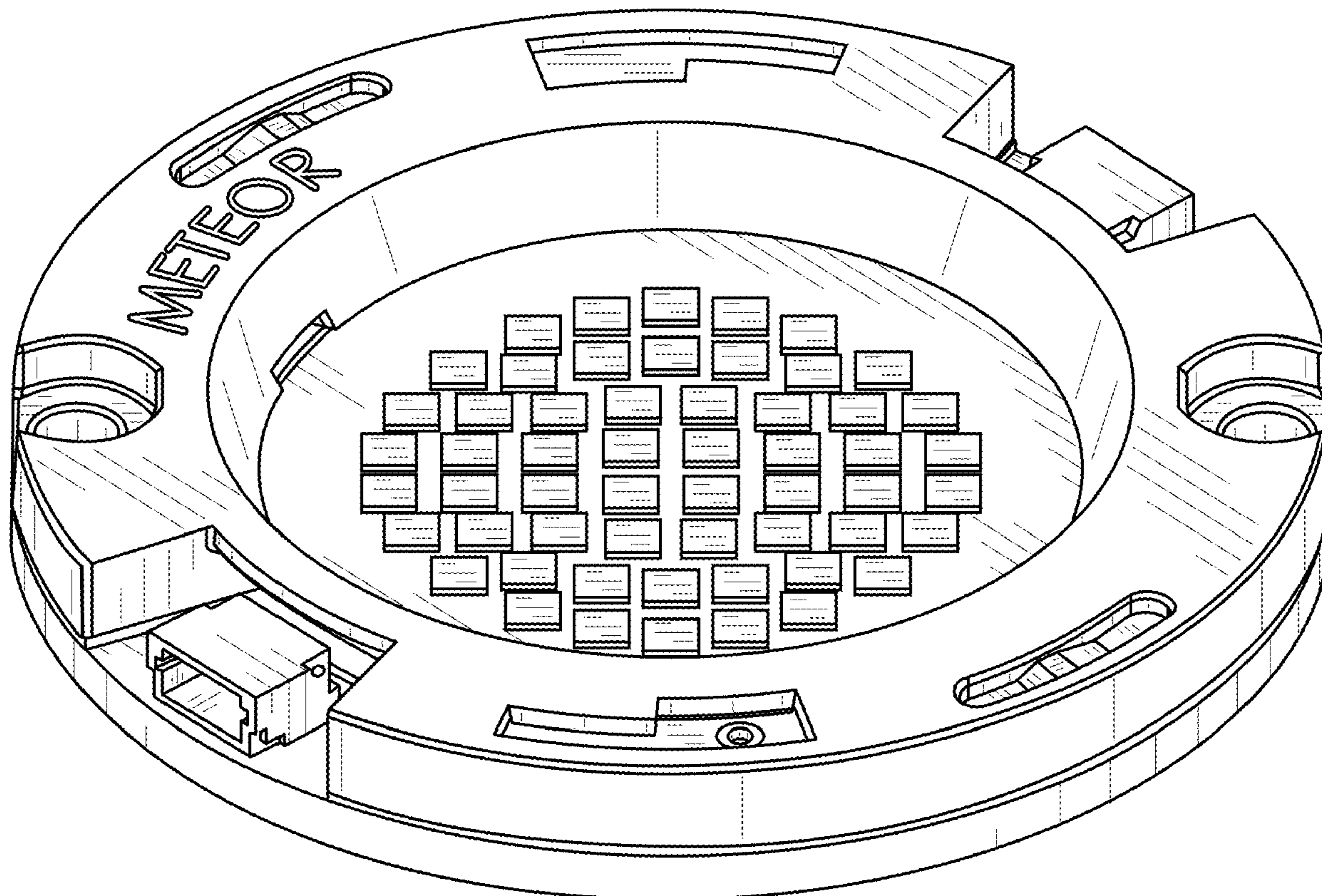
FIG. 5 is a right side elevational view of the light module;

FIG. 6 is a top plan view of the light module; and,

FIG. 7 is a bottom plan view of the light module.

See application file for complete search history.

**1 Claim, 7 Drawing Sheets**



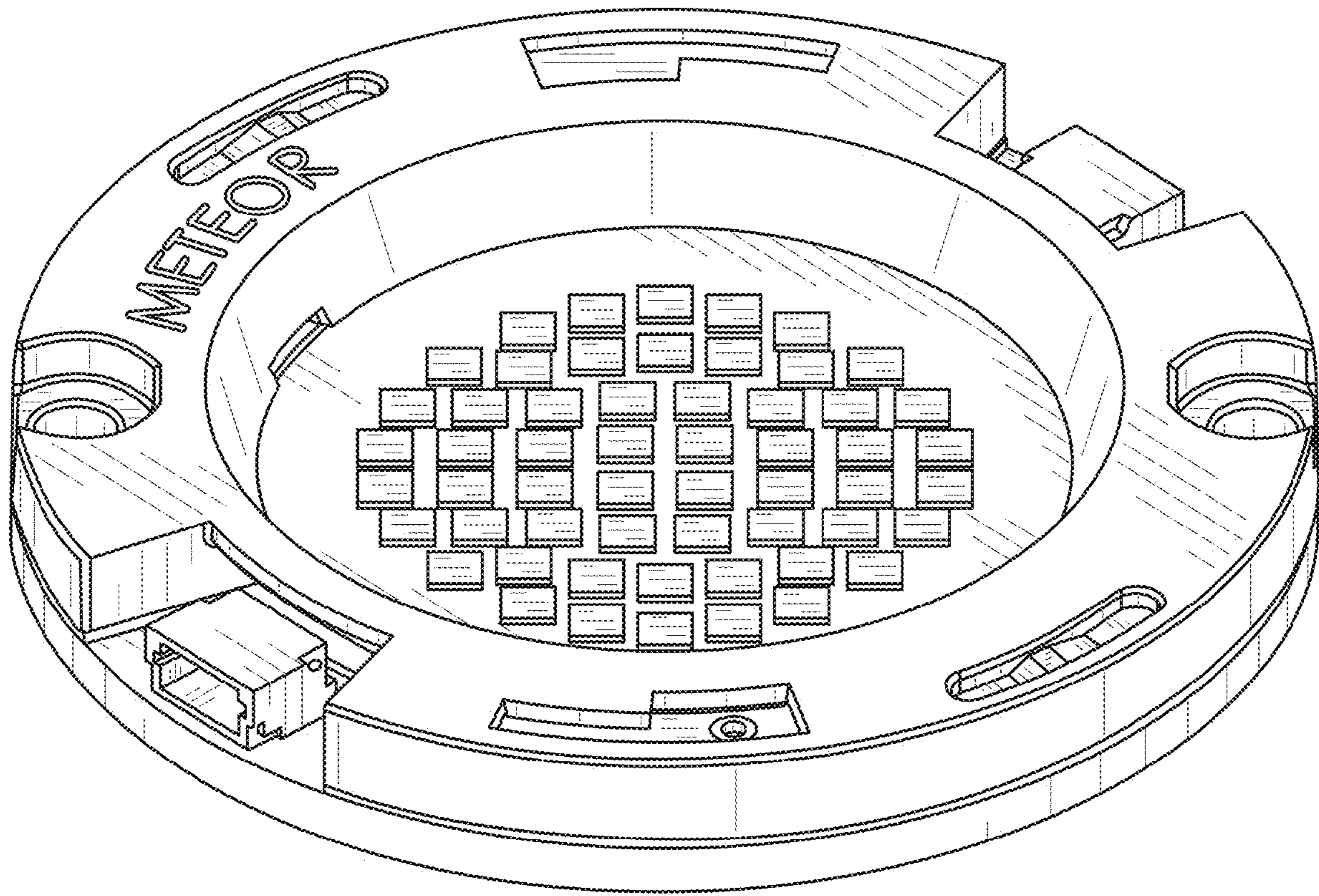
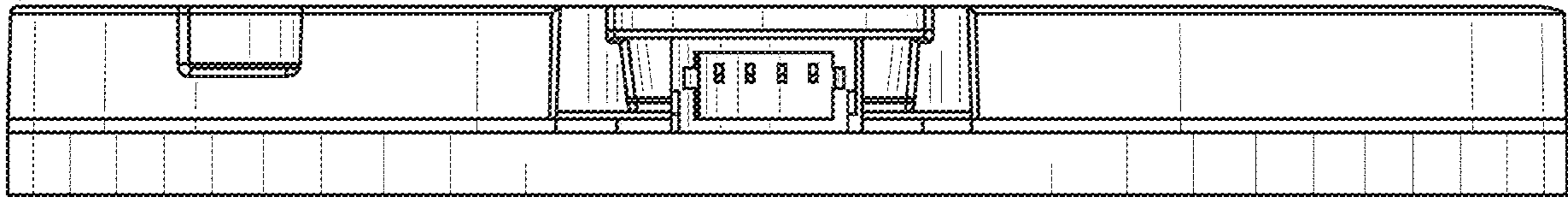
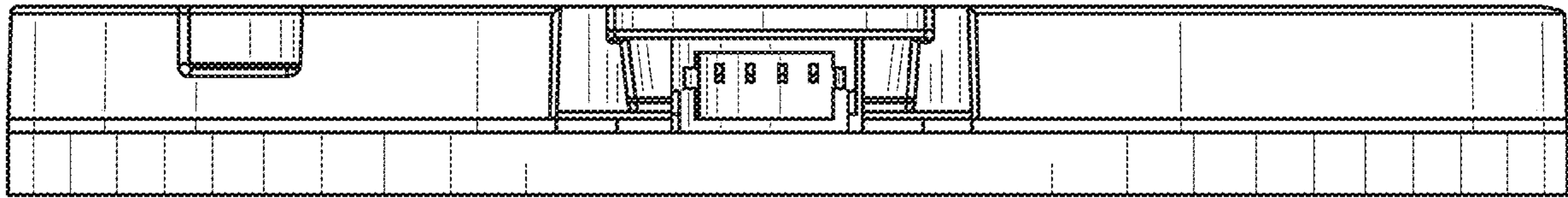


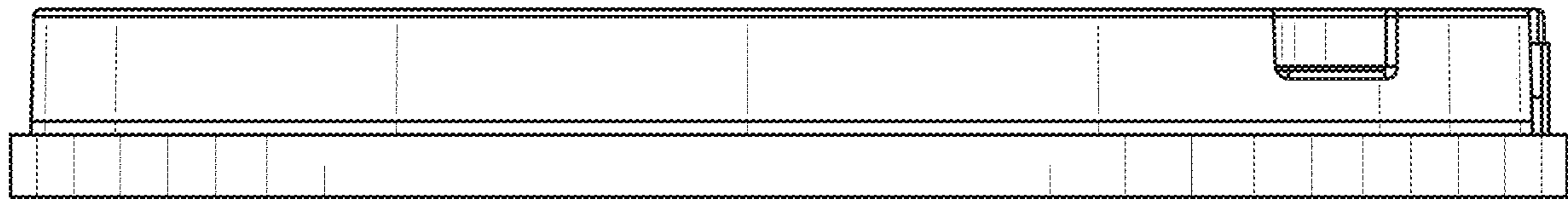
FIG. 1



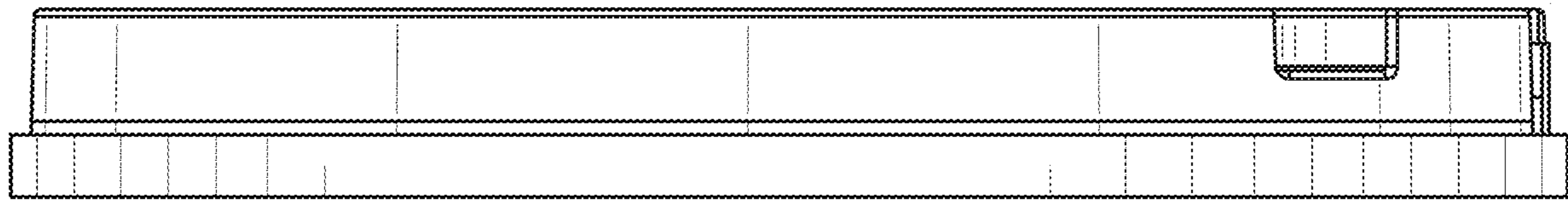
*FIG. 2*



*FIG. 3*



*FIG. 4*



*FIG. 5*

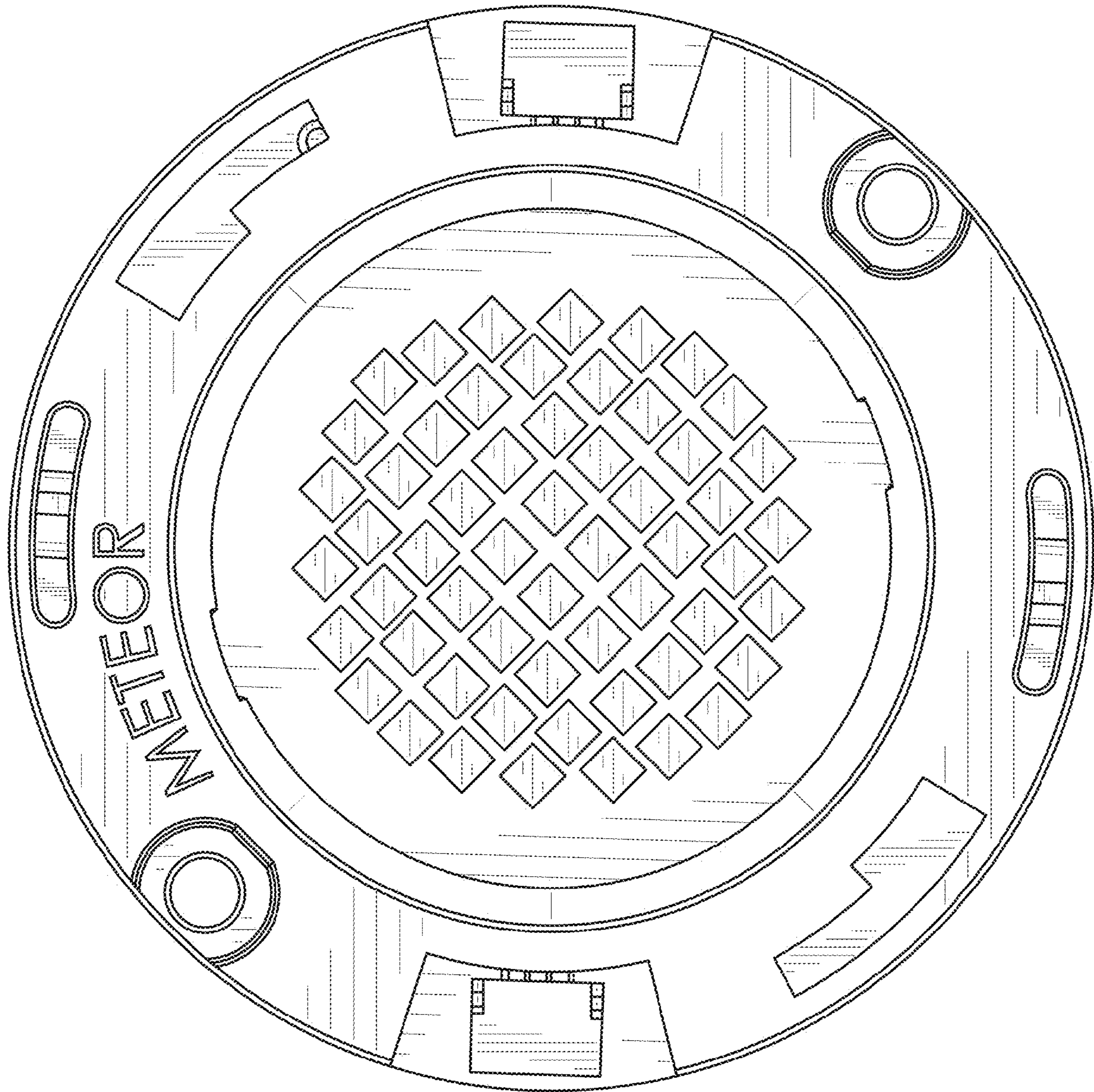


FIG. 6

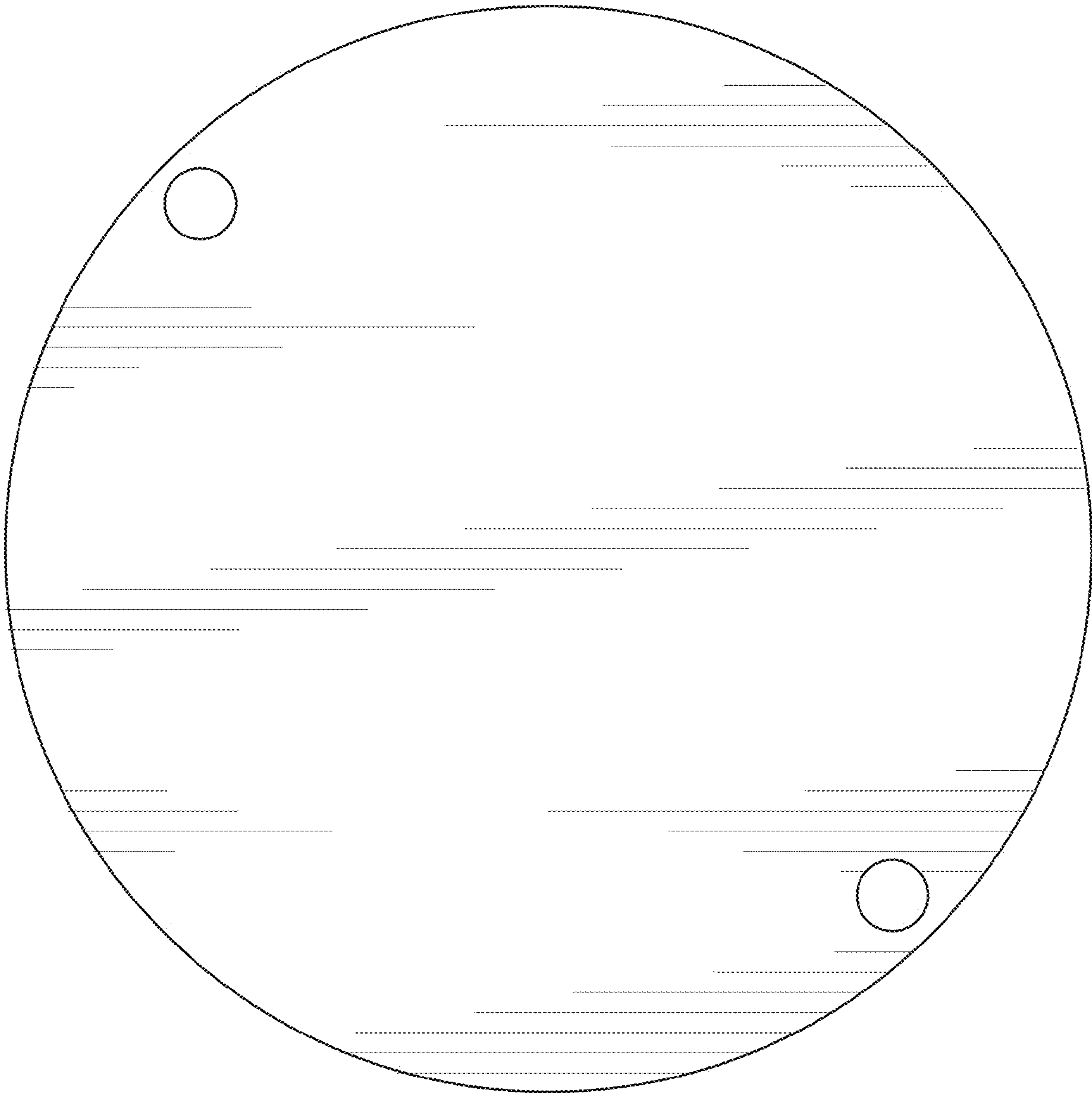


FIG. 7