



US00D880728S

(12) **United States Design Patent**
Martinez Muñoz

(10) **Patent No.:** **US D880,728 S**

(45) **Date of Patent:** **** Apr. 7, 2020**

(54) **PEDESTRIAN CROSSWALK PANEL**

(71) Applicant: **Adrian Martinez Muñoz**, Guanajuato (MX)

(72) Inventor: **Adrian Martinez Muñoz**, Guanajuato (MX)

(**) Term: **15 Years**

(21) Appl. No.: **29/606,717**

(22) Filed: **Jun. 7, 2017**

(51) **LOC (12) Cl.** **25-01**

(52) **U.S. Cl.**
USPC **D25/138**

(58) **Field of Classification Search**
USPC 404/17, 18, 19, 22; D25/102, 103, 108, D25/138, 157, 163, 164, 199; D6/314
See application file for complete search history.

(56) **References Cited**

U.S. PATENT DOCUMENTS

D209,035 S *	10/1967	Robert	D3/227
D212,846 S *	12/1968	Kabanov et al.	D25/108
4,177,305 A *	12/1979	Feingold	B44C 3/123 273/157 R
D299,971 S *	2/1989	Gilbert	D25/138
D357,704 S *	4/1995	Wolff	D19/75
5,522,163 A *	6/1996	Neugebauer	G09F 3/20 206/449
D392,754 S *	3/1998	Arenstam	D25/138

D396,562 S *	8/1998	Kenney	D6/300
D409,246 S *	5/1999	Fereday	D11/157
6,673,191 B2 *	1/2004	Harwell	G09F 3/20 156/308.4
D512,338 S *	12/2005	Hannon	D11/131
D569,680 S *	5/2008	Chen	D6/595
D581,681 S *	12/2008	Goolrick	D6/314
D598,577 S *	8/2009	Li	D25/138
D751,831 S *	3/2016	Shay-Puetzer	D6/314
2009/0016817 A1 *	1/2009	Kulhawe	E01C 5/00 404/17
2017/0306577 A1 *	10/2017	Trifan	G08G 1/005

* cited by examiner

Primary Examiner — Kevin K Rudzinski

Assistant Examiner — Kimberly Barnes

(74) *Attorney, Agent, or Firm* — Egbert Law Offices, PLLC

(57) **CLAIM**

The ornamental design for a pedestrian crosswalk panel, as shown and described.

DESCRIPTION

FIG. 1 is a perspective view of a pedestrian crosswalk panel showing my new design.

FIG. 2 is a top view thereof;

FIG. 3 is a bottom view thereof;

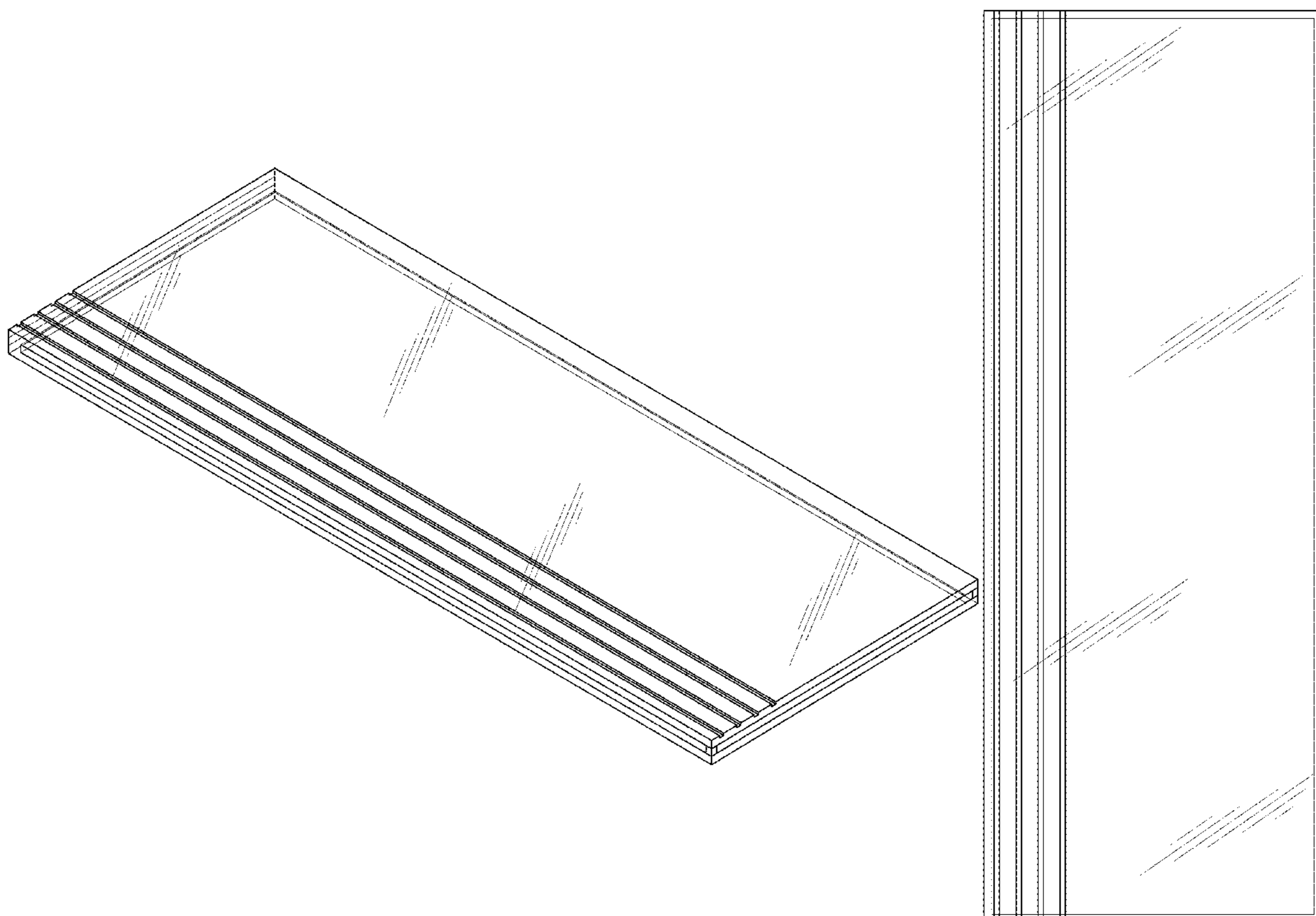
FIG. 4 is a front view thereof;

FIG. 5 is a rear view thereof;

FIG. 6 is a side view thereof; and,

FIG. 7 is an opposite side view thereof.

1 Claim, 5 Drawing Sheets



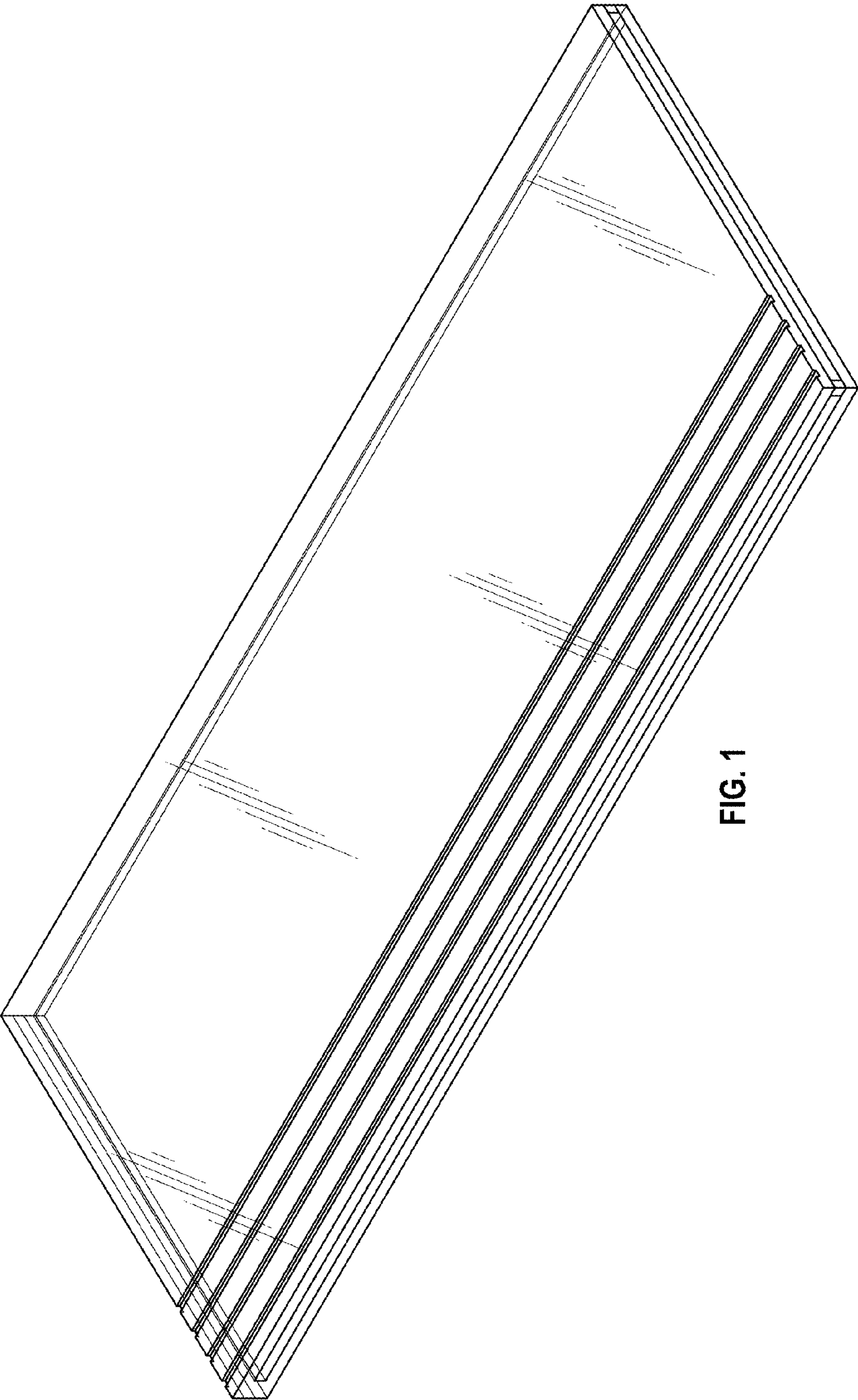


FIG. 1

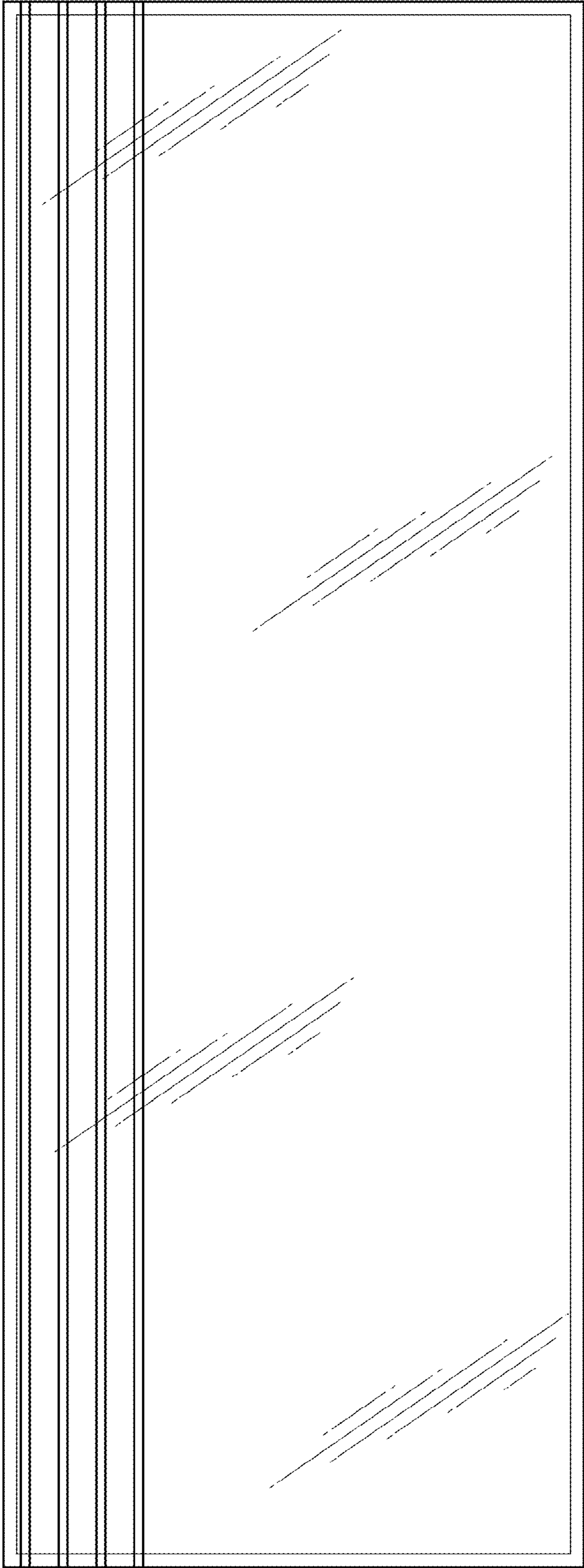


FIG. 2

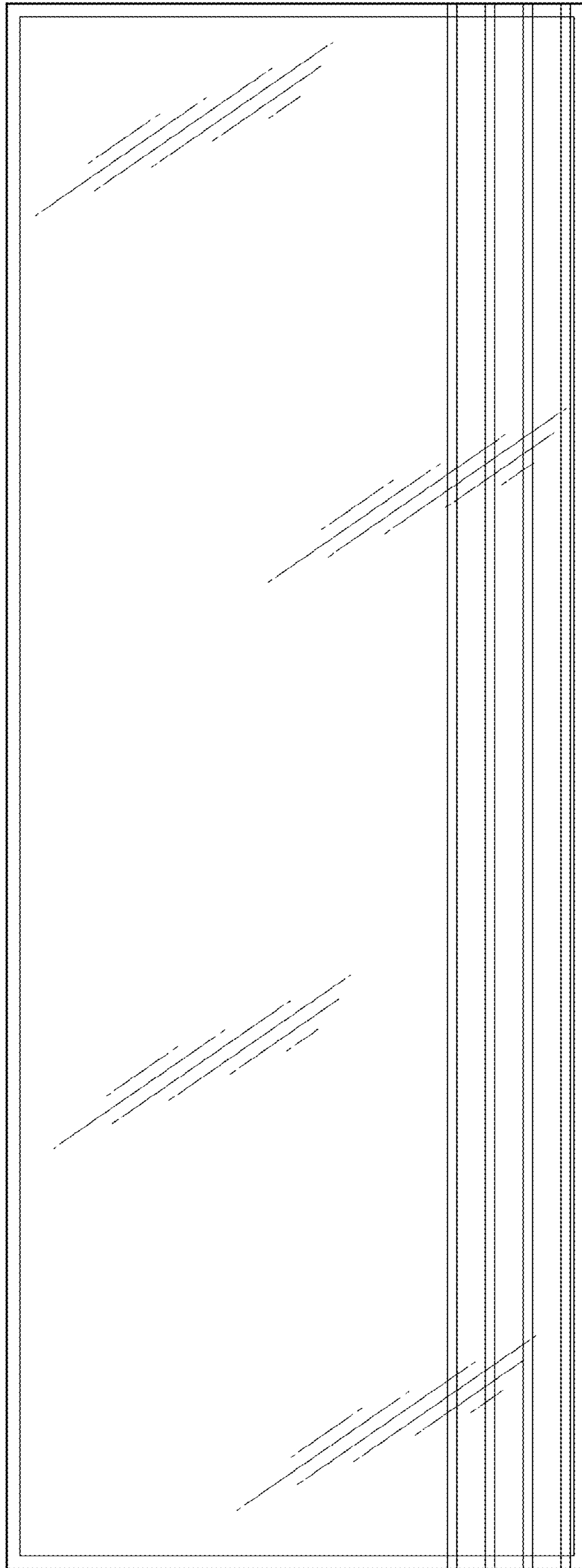


FIG. 3

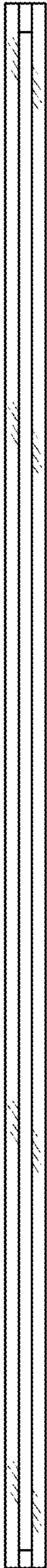


FIG. 4

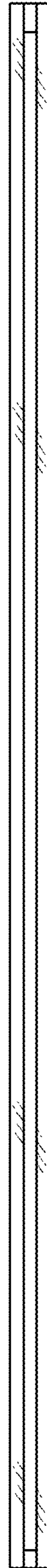


FIG. 5

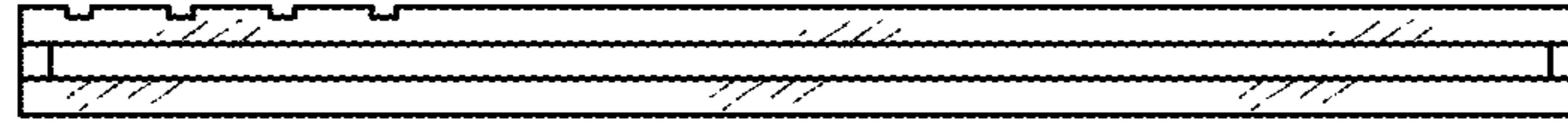


FIG. 6

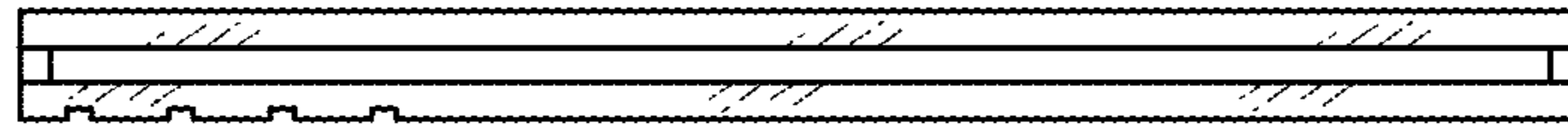


FIG. 7