



US00D880724S

(12) **United States Design Patent**  
**Schiffer**

(10) **Patent No.:** **US D880,724 S**

(45) **Date of Patent:** **\*\* Apr. 7, 2020**

(54) **FENCE POST**

(71) Applicant: **AST Eis- und Solartechnik GmbH & Co. KG**, Reutte (AT)

(72) Inventor: **Klaus Schiffer**, Elbigenalp (AT)

(73) Assignee: **AST EIS- UND SOLARTECHNIK GMBH**, Reutte (AT)

(\*\*) Term: **15 Years**

(21) Appl. No.: **29/645,367**

(22) Filed: **Apr. 25, 2018**

(30) **Foreign Application Priority Data**

|              |      |              |
|--------------|------|--------------|
| Nov. 3, 2017 | (EM) | 4492437/0001 |
| Nov. 3, 2017 | (EM) | 4492437/0002 |
| Nov. 3, 2017 | (EM) | 4492437/0003 |
| Nov. 3, 2017 | (EM) | 4492437/0004 |

(51) **LOC (12) Cl.** ..... **25-02**

(52) **U.S. Cl.**  
USPC ..... **D25/38.1**

(58) **Field of Classification Search**  
USPC ..... D25/38.1, 126, 127, 131, 132, 199  
CPC ..... E04C 3/34; E04H 17/003; E04H 17/163;  
E04H 17/16; E04H 17/22; E04H 17/24;  
E04H 12/2238; E06B 11/02  
See application file for complete search history.

(56) **References Cited**

**U.S. PATENT DOCUMENTS**

|              |        |           |       |           |
|--------------|--------|-----------|-------|-----------|
| 954,831 A *  | 4/1910 | Underwood | ..... | E04C 3/34 |
|              |        |           |       | 52/146    |
| D421,654 S * | 3/2000 | Michael   | ..... | D25/38.1  |

|                   |         |            |       |              |
|-------------------|---------|------------|-------|--------------|
| D422,715 S *      | 4/2000  | Chaney     | ..... | D25/38.1     |
| 2007/0252125 A1 * | 11/2007 | Thompson   | ..... | E04H 17/003  |
|                   |         |            |       | 256/24       |
| 2013/0069027 A1 * | 3/2013  | Zimmermann | ..... | E01F 13/06   |
|                   |         |            |       | 256/24       |
| 2019/0024397 A1 * | 1/2019  | Melic      | ..... | E04G 21/3242 |

**OTHER PUBLICATIONS**

AST-Bandenkatalog-dt <https://www.ast-icerink-solarabsorber.com/files/bilder/5%20-%20Media%20Center/AST-Bandenkatalog-dt.pdf> May 2019 (Year: 2019).\*

\* cited by examiner

*Primary Examiner* — Leanne Was-Englehart  
(74) *Attorney, Agent, or Firm* — Wenderoth, Lind & Ponack, L.L.P.

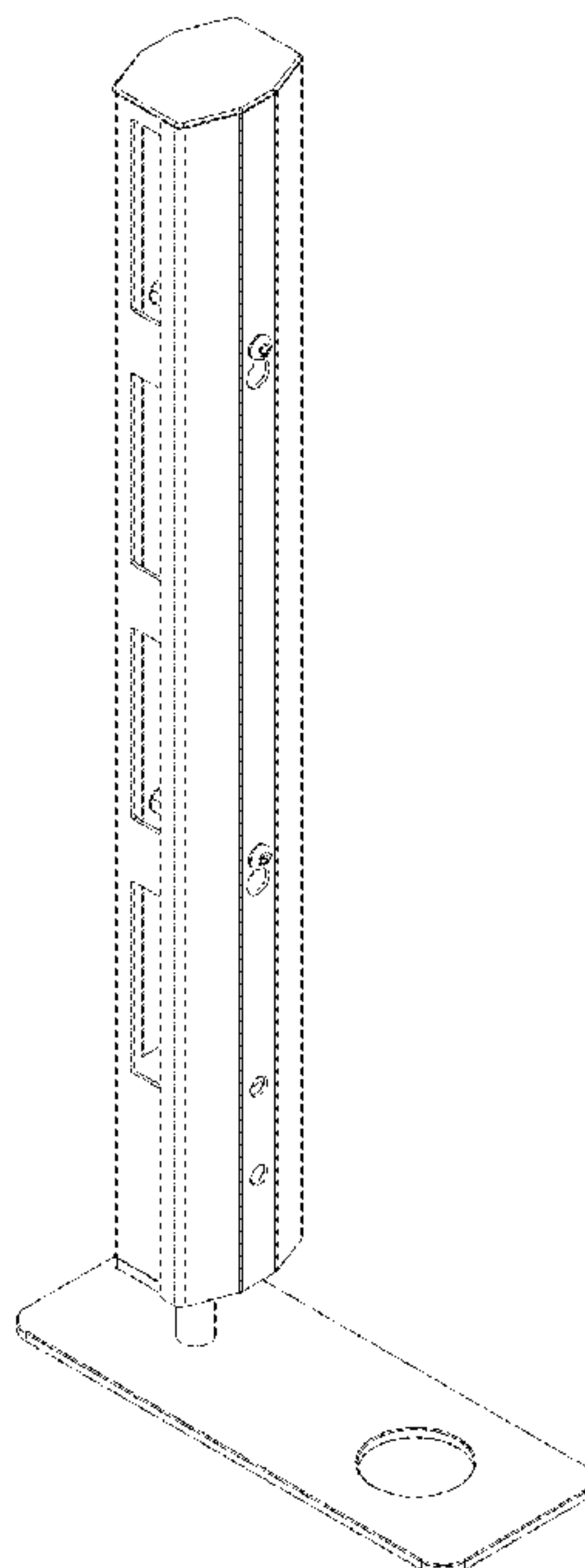
(57) **CLAIM**

The ornamental design for a fence post, as shown and described.

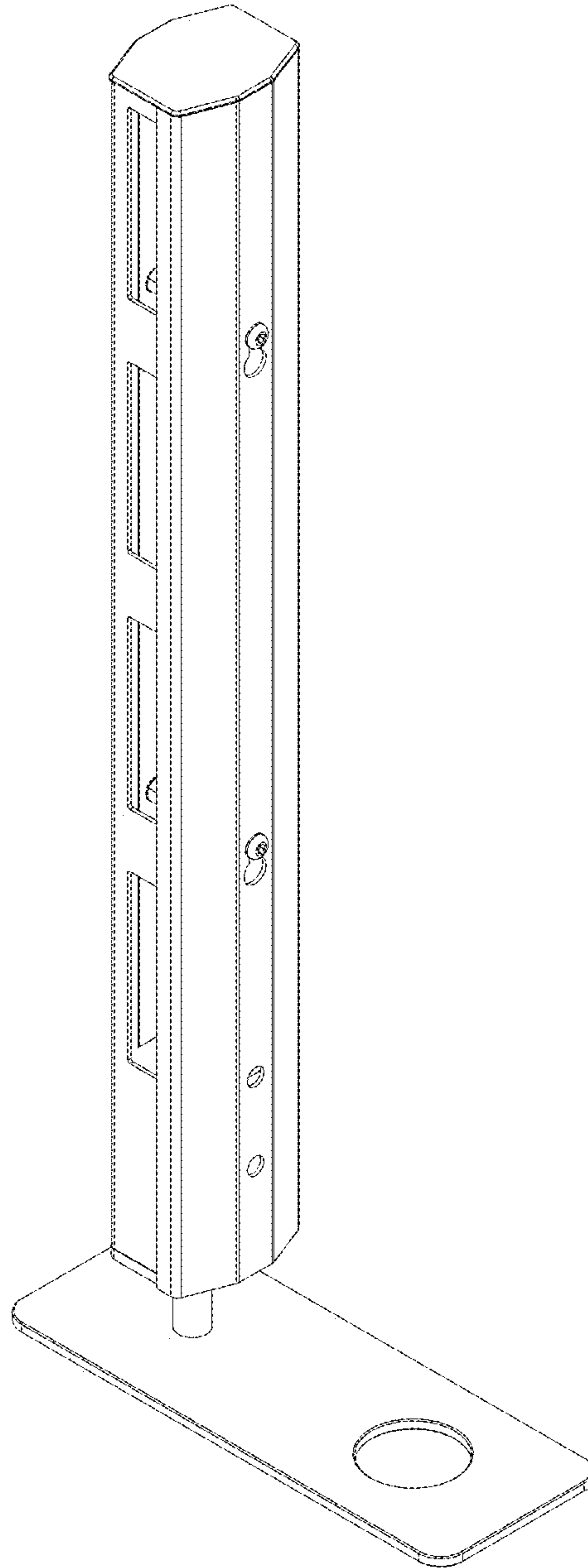
**DESCRIPTION**

FIG. 1 is a front perspective view of the fence post; FIG. 2 is a left side view of the fence post; FIG. 3 is a right side view of the fence post; FIG. 4 is a bottom view of the fence post; FIG. 5 is a top view of the fence post; FIG. 6 is a front view of the fence post; FIG. 7 is a rear view of the fence post; and, FIG. 8 is a cross-sectional view of the fence post taken along line 8-8 in FIG. 7.

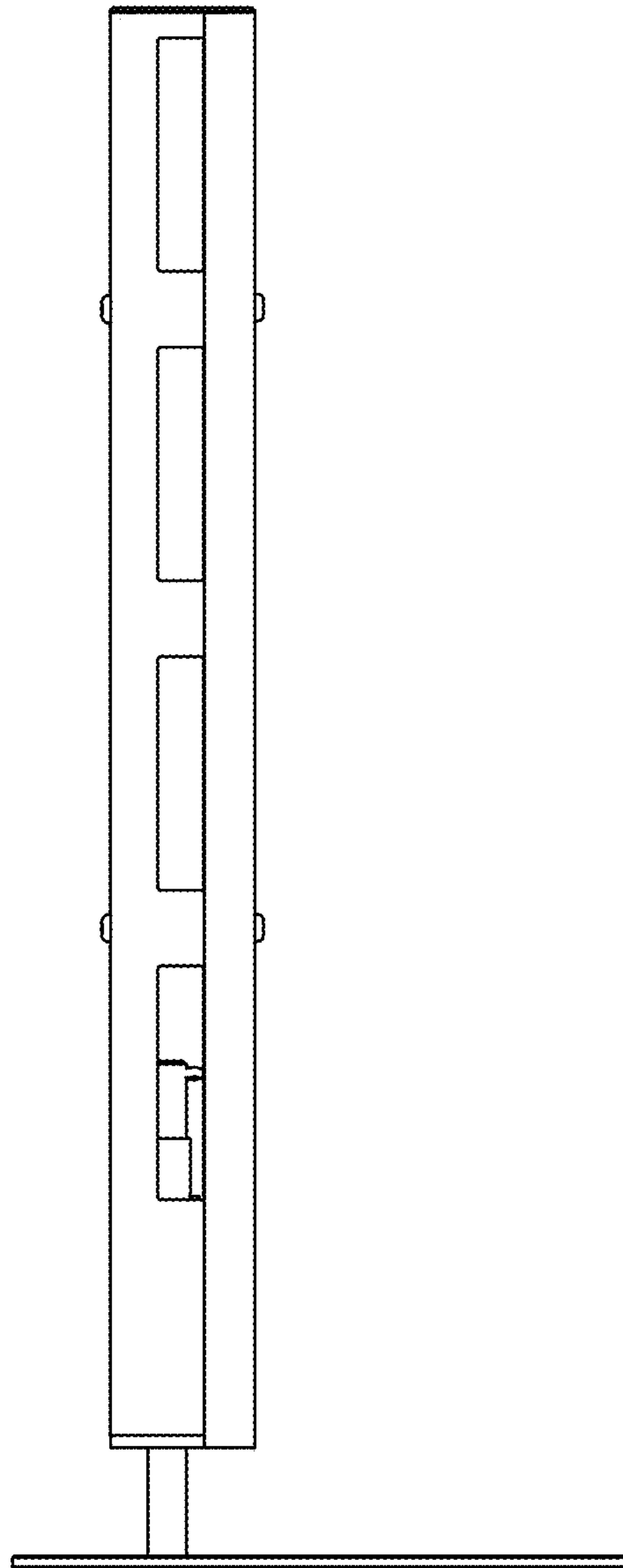
**1 Claim, 8 Drawing Sheets**



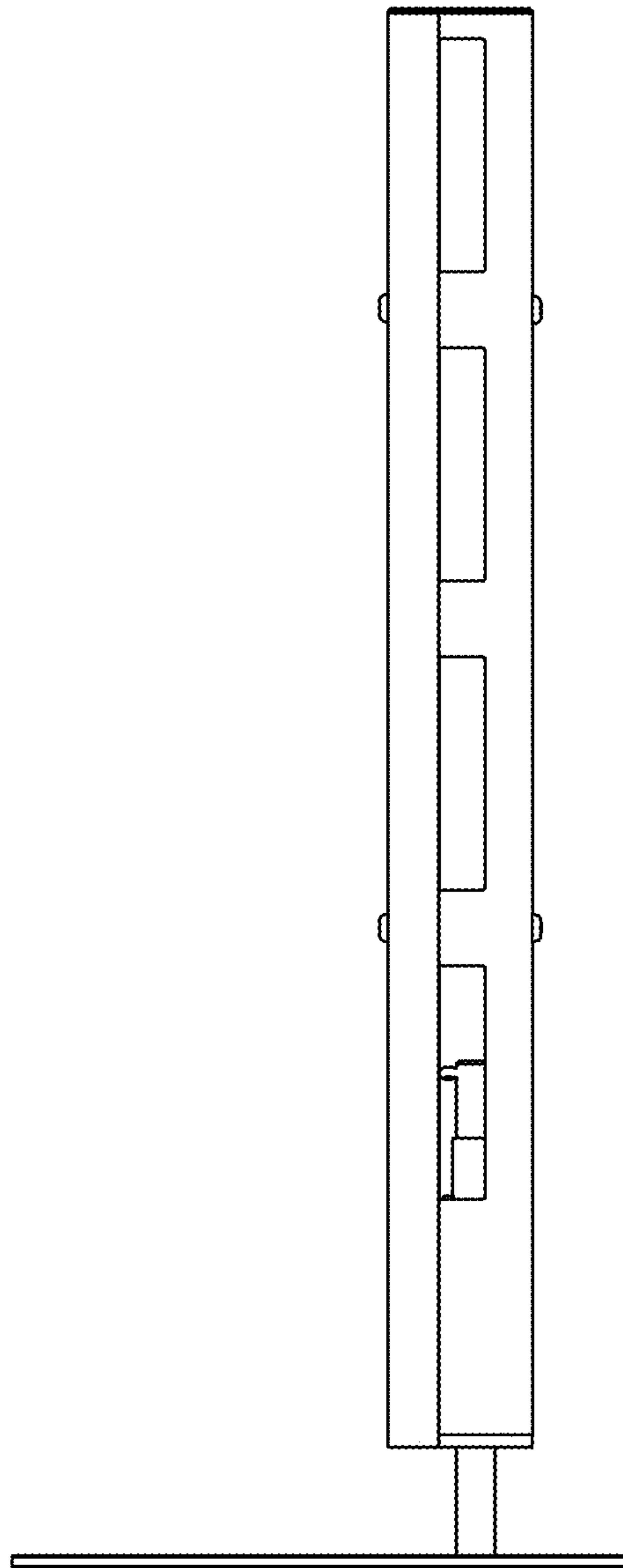
*Fig. 1*



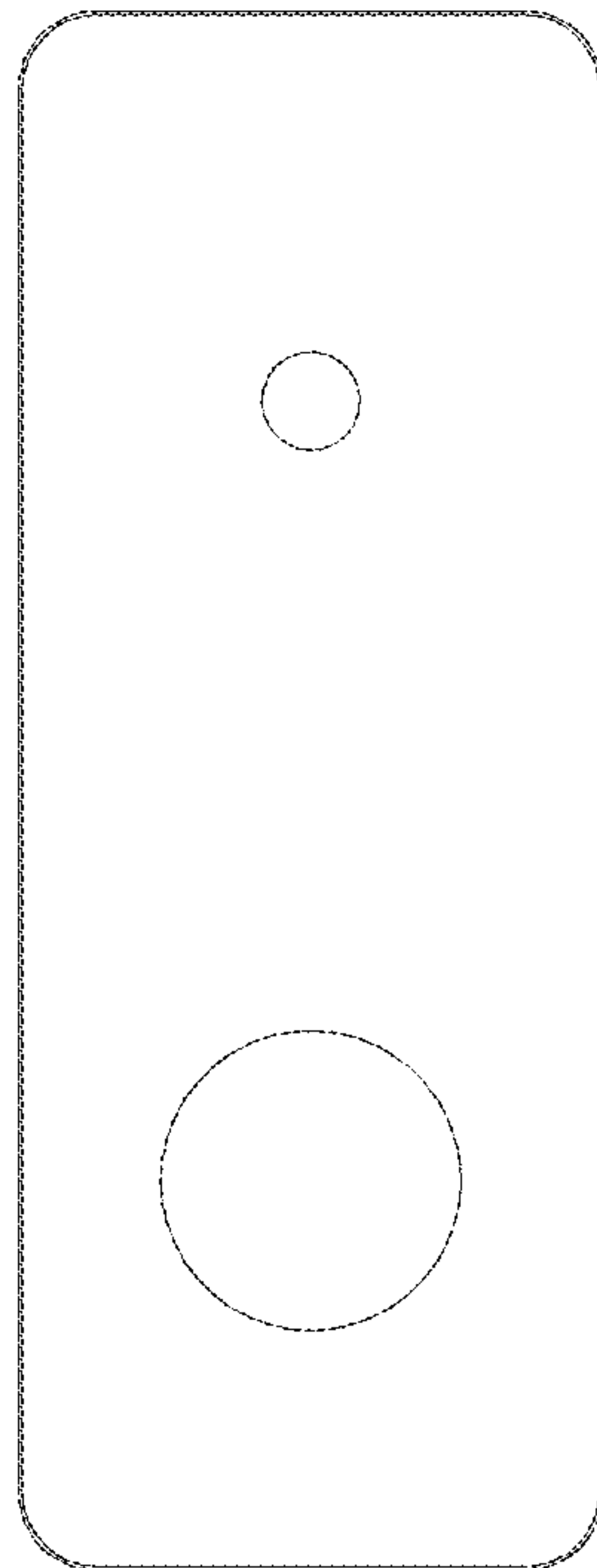
*Fig. 2*



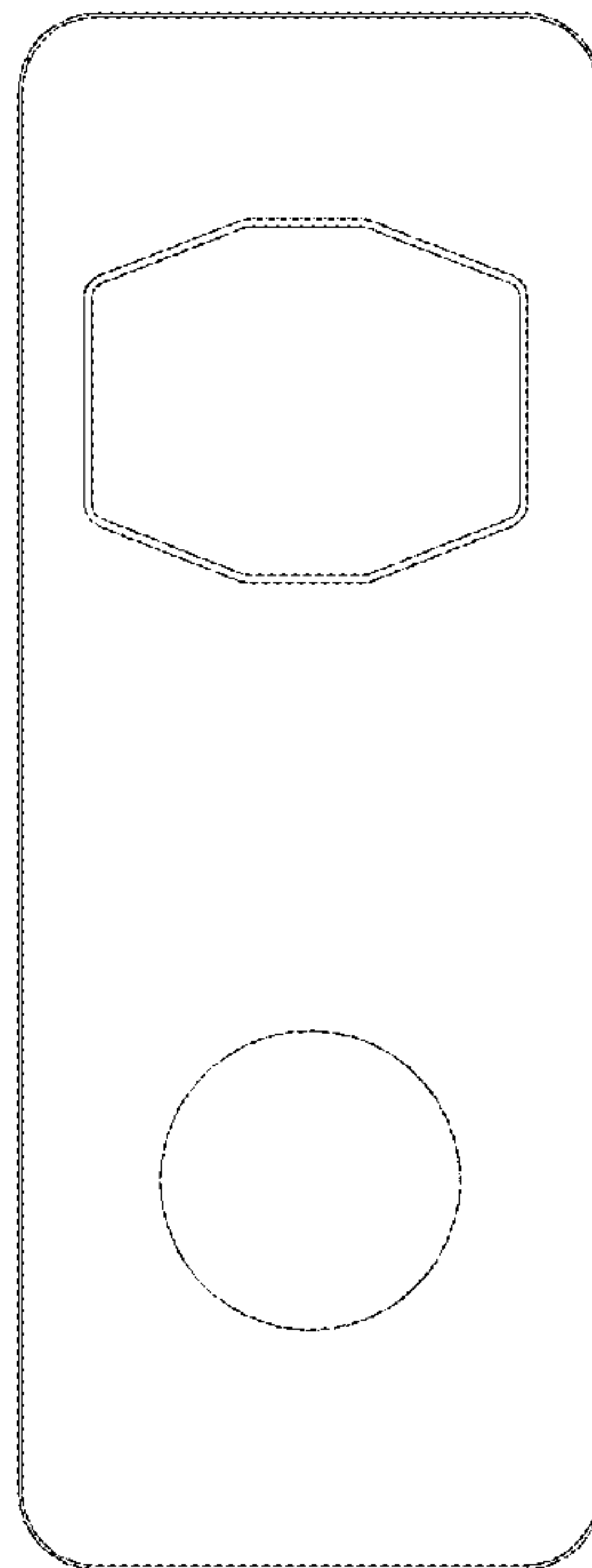
*Fig. 3*



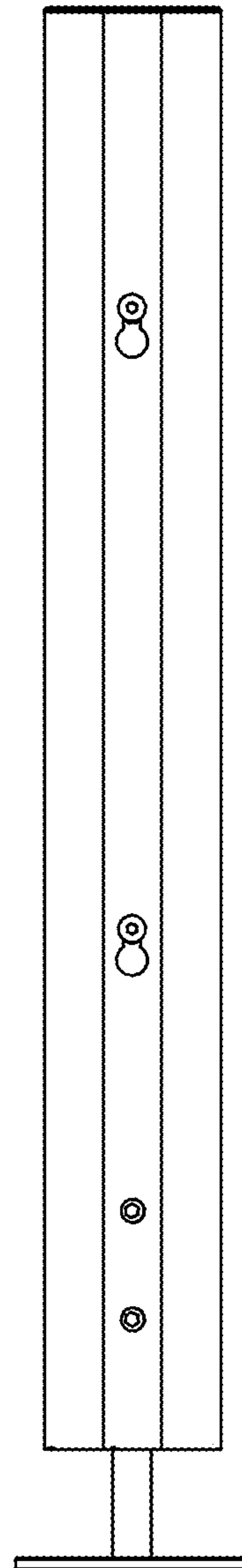
*Fig. 4*



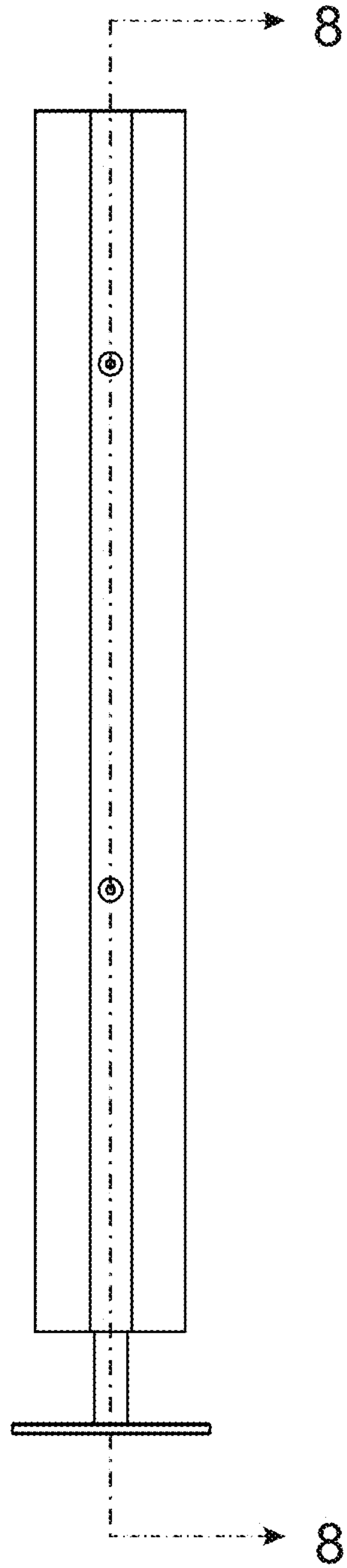
*Fig. 5*



*Fig. 6*



*Fig. 7*





*Fig. 8*

