



US00D880723S

(12) **United States Design Patent**
Aravena

(10) **Patent No.:** **US D880,723 S**
(45) **Date of Patent:** **** Apr. 7, 2020**

(54) **SURGICAL TRAY FOR DENTAL IMPLANTS**

(71) Applicant: **Implant Direct Sybron International LLC**, Thousand Oaks, CA (US)
(72) Inventor: **Ines Aravena**, Santa Rosa Valley, CA (US)

(73) Assignee: **Implant Direct Sybron International LLC**, Thousand Oaks, CA (US)

(**) Term: **15 Years**

(21) Appl. No.: **29/654,026**

(22) Filed: **Jun. 20, 2018**

(51) **LOC (12) Cl.** **24-02**

(52) **U.S. Cl.**
USPC **D24/229**

(58) **Field of Classification Search**
USPC D24/107, 121, 176, 216, 224-232;
D3/203.1-203.8, 304, 313; D7/550.1,
D7/552.2
CPC G06F 19/3406
See application file for complete search history.

(56) **References Cited**

U.S. PATENT DOCUMENTS

D283,164 S *	3/1986	Pandya	D19/75
D392,743 S *	3/1998	Stoufer	D24/230
D506,833 S *	6/2005	Wescott, III	B01L 9/06
				D24/229
D634,541 S *	3/2011	Gutierrez	D3/313
D673,295 S *	12/2012	Motadel	D24/227
D814,654 S *	4/2018	Daines	D24/230
D826,425 S *	8/2018	Muller	D24/230
D826,426 S *	8/2018	Muller	D24/230
D849,962 S *	5/2019	Curry	D24/227
2012/0257953 A1 *	10/2012	Williams	B01L 9/543
				414/802
2017/0098049 A1 *	4/2017	Sweeney	G06Q 10/0875

OTHER PUBLICATIONS

Dental Implant Surgical Kit Steri-OSS Baush & Lomb. Online, published date unknown. Retrieved on Sep. 3, 2019 from URL: https://www.ebay.com/itm/DENTAL-IMPLANT-SURGICAL-KIT-STERI-OSS-Baush-Lomb-/231757647922.*

* cited by examiner

Primary Examiner — Susan Bennett Hattan

Assistant Examiner — Omeed Agilee

(74) *Attorney, Agent, or Firm* — Wood Herron & Evans LLP

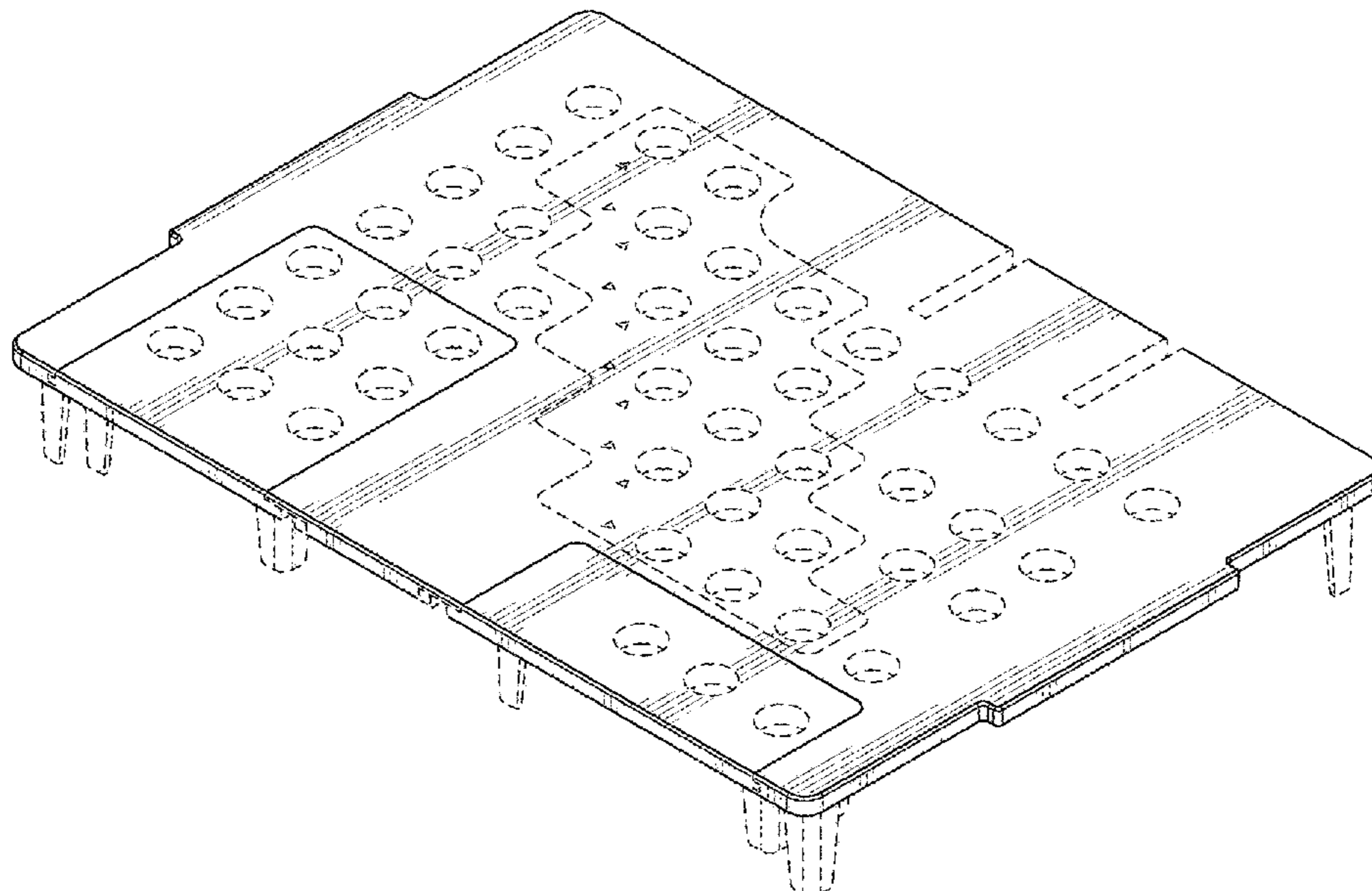
(57) **CLAIM**

The ornamental design for a surgical tray for dental implants, as shown and described.

DESCRIPTION

FIG. 1 is a front-right-top perspective view of a surgical tray for dental implants showing environment according to the present invention;
FIG. 2 is a front-right-top perspective view of FIG. 1 without the environment;
FIG. 3 is a top plan view thereof;
FIG. 4 is a front elevation view thereof;
FIG. 5 is a rear elevation view thereof;
FIG. 6 is a right side elevation view thereof;
FIG. 7 is a left side elevation view thereof; and,
FIG. 8 is a front-right-top perspective view thereof in a disassembled state.
The dash lines in form of a case and dental implants in FIG. 1 depict environmental subject matter and form no part of the claimed design. All the other dash lines in the figures depict portions of the surgical tray for dental implants that form no part of the claimed design.

1 Claim, 5 Drawing Sheets



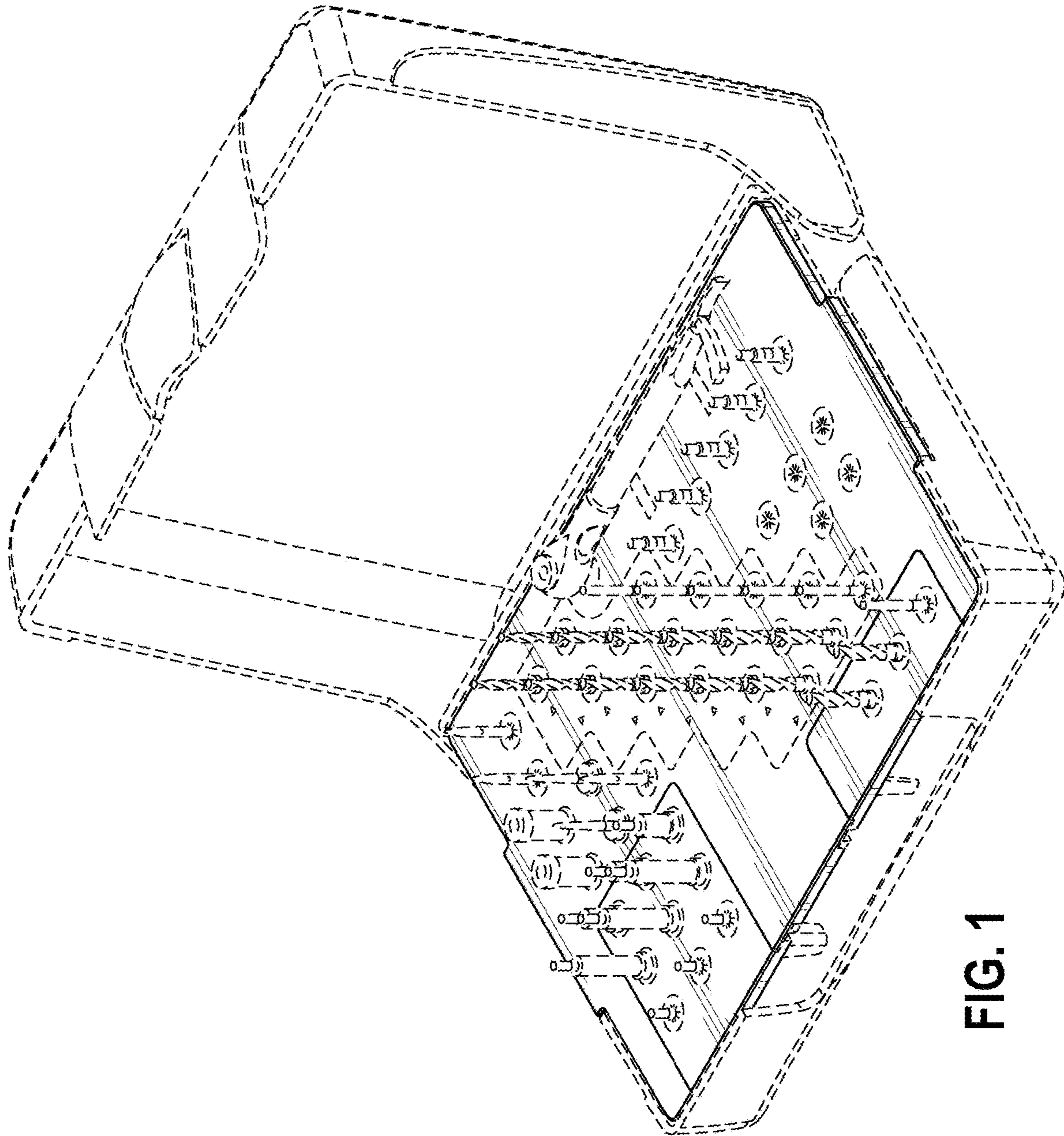


FIG. 1

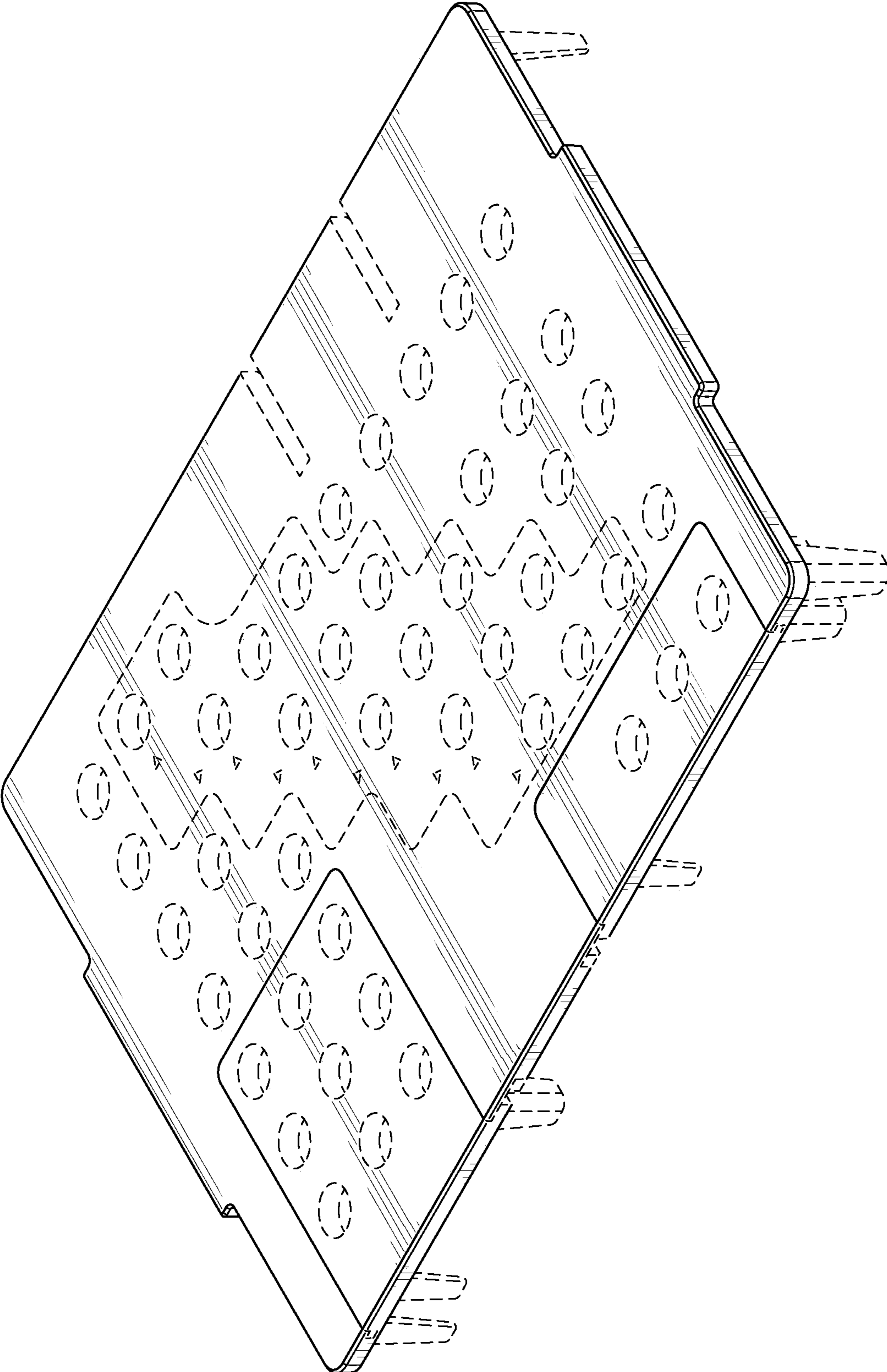


FIG. 2

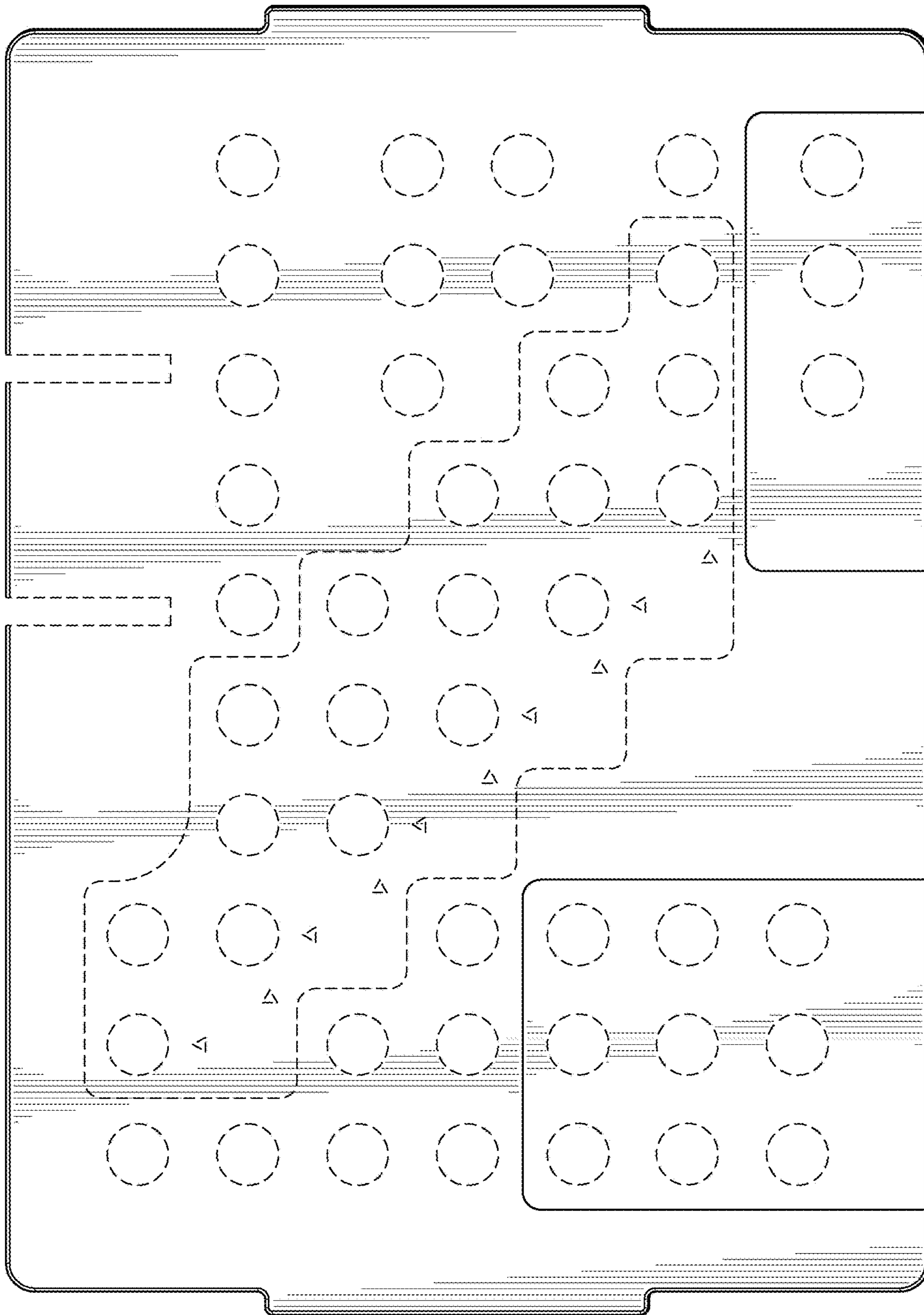


FIG. 3

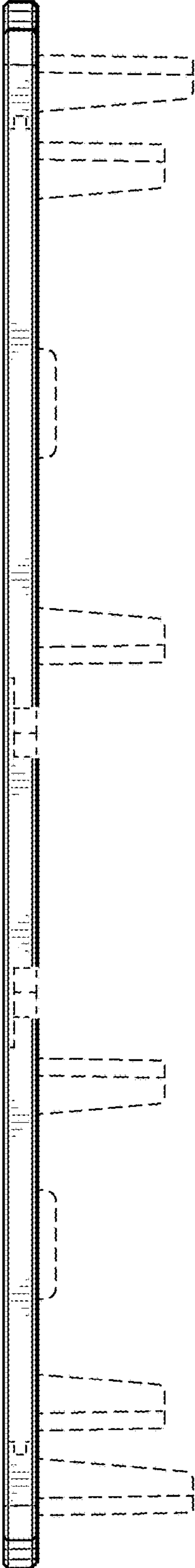


FIG. 4

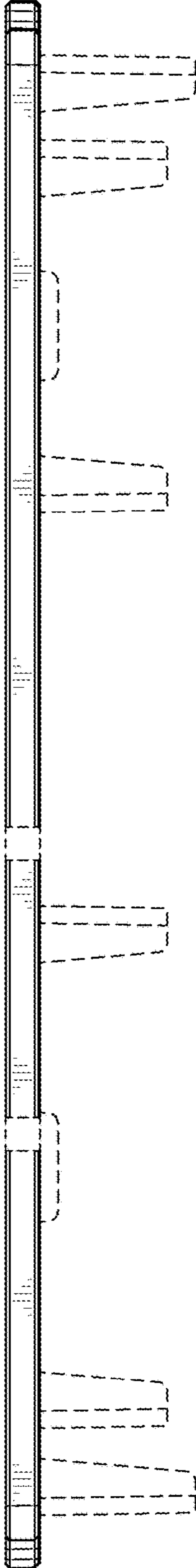


FIG. 5

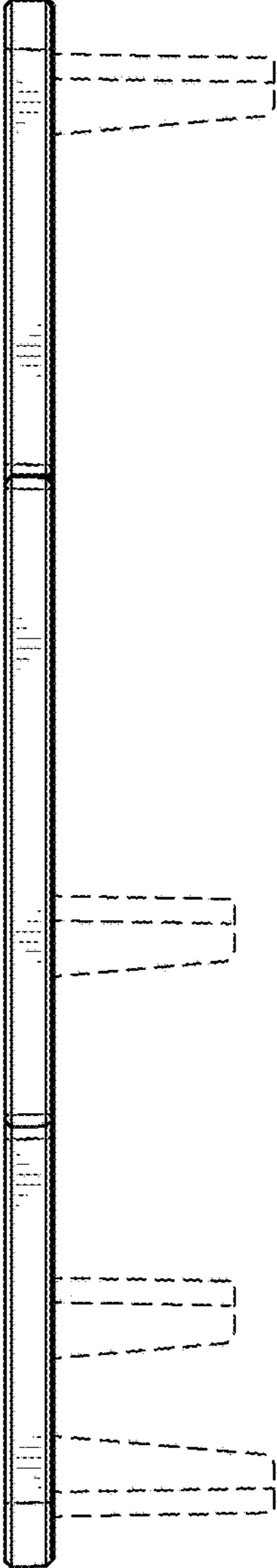


FIG. 6

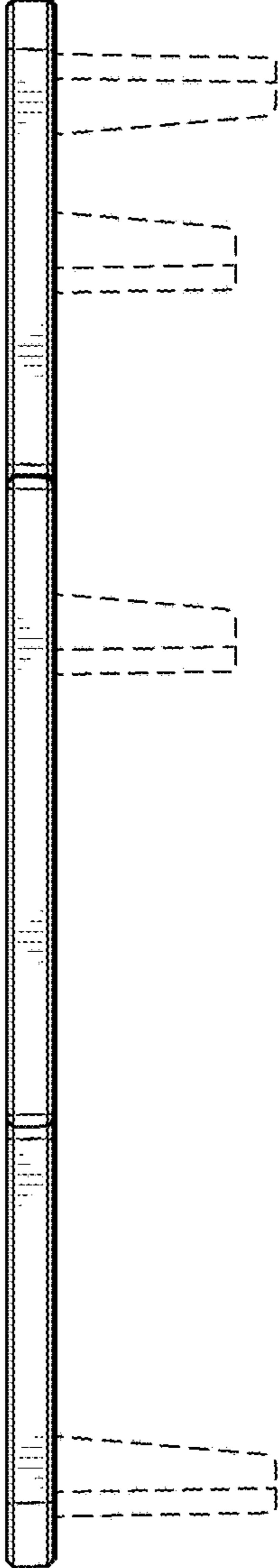


FIG. 7

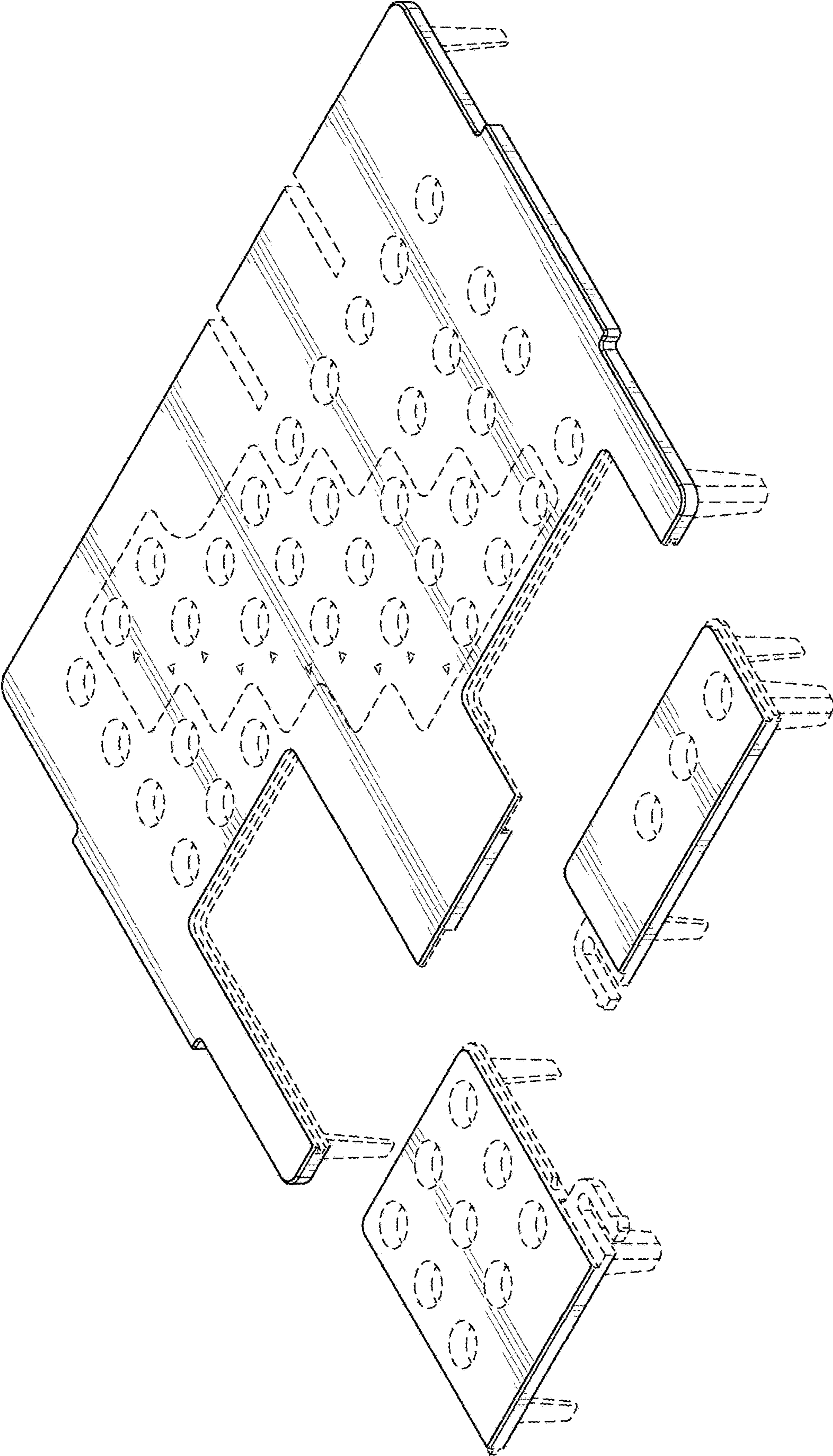


FIG. 8