



US00D880720S

(12) **United States Design Patent** (10) **Patent No.:** **US D880,720 S**  
**Ou Yang** (45) **Date of Patent:** **\*\* Apr. 7, 2020**

(54) **UVC LED STERILIZING DEVICE**  
(71) Applicant: **SHENZHEN UVLED OPTICAL TECHNOLOGY CO., LTD.**, Shenzhen, Guangdong (CN)  
(72) Inventor: **Chen Yi Ou Yang**, Ningyuan County (CN)  
(73) Assignee: **SHENZHEN UVLED OPTICAL TECHNOLOGY CO., LTD.**, Shenzhen, Guangdong (CN)  
(\*\*) Term: **15 Years**

(56) **References Cited**  
U.S. PATENT DOCUMENTS  
D320,655 S \* 10/1991 Patten ..... D24/200  
D429,820 S \* 8/2000 Meske ..... D24/217  
D431,298 S \* 9/2000 Hogan ..... D24/133  
D438,980 S \* 3/2001 Hehenberger ..... D20/28  
D439,344 S \* 3/2001 Hehenberger ..... D20/27  
D484,246 S \* 12/2003 Lee ..... D24/186  
D601,711 S \* 10/2009 Lin ..... D24/217  
D676,562 S \* 2/2013 Marzynski ..... D24/186  
D714,433 S \* 9/2014 Armstrong ..... D24/108  
D802,781 S \* 11/2017 Moorehead ..... D24/211  
D825,356 S \* 8/2018 Yu ..... D10/70  
D850,626 S \* 6/2019 Gardner ..... D24/186  
(Continued)

(21) Appl. No.: **29/661,959**  
(22) Filed: **Aug. 31, 2018**  
(30) **Foreign Application Priority Data**  
Jul. 11, 2018 (CN) ..... 2018 3 0372594  
(51) **LOC (12) Cl.** ..... **24-01**  
(52) **U.S. Cl.**  
USPC ..... **D24/217**  
(58) **Field of Classification Search**  
USPC ..... D24/200, 209-213, 217-219, 224-232, D24/186, 107, 108; D23/366; D32/1, D32/25; D28/44, 73; 422/24, 26, 27, 422/307; 250/455.11  
CPC ..... A61L 2/26; A61L 2/24; A61L 2/17; A61L 2/18; A61L 2/025; A61L 2/10; A61L 2/084; A61L 2202/122; A61L 2202/10; A61L 2202/11; A61L 2202/14; A61L 2202/23; A61L 2202/24; A61L 2202/182; C02F 1/32; C02F 1/325; A61H 15/00; A61H 15/0007; A61H 2015/0042; A63B 43/06  
See application file for complete search history.

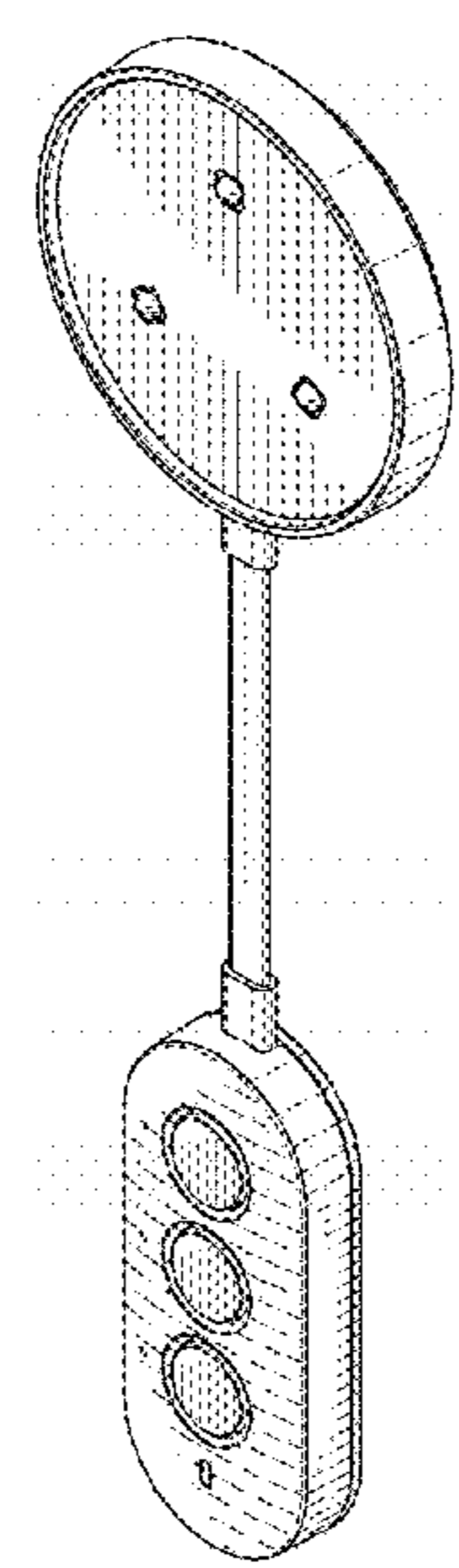
**OTHER PUBLICATIONS**  
59S Fridge sterilizing Stickers, posted at 59s.com, no posting date, online URL:[http://www.59s.com/en/59s-fridge-sterilizing-stickers.html#\\_pp=102\\_1496](http://www.59s.com/en/59s-fridge-sterilizing-stickers.html#_pp=102_1496) (Year: 2019).\*  
(Continued)

*Primary Examiner* — Barbara Fox  
*Assistant Examiner* — Mary Shannon Malley  
(74) *Attorney, Agent, or Firm* — Juan Carlos A. Marquez; Marquez IP Law Office, PLLC

(57) **CLAIM**  
The ornamental design for an UV LED sterilizing device, as shown and described.

**DESCRIPTION**  
FIG. 1 is a perspective view of an UV LED sterilizing device, showing the new design;  
FIG. 2 is a front view thereof;  
FIG. 3 is a rear view thereof;  
FIG. 4 is a left-side view thereof;  
FIG. 5 is a right-side view thereof;  
FIG. 6 is a top view thereof; and,  
FIG. 7 is a bottom view thereof.

**1 Claim, 5 Drawing Sheets**



(56)

**References Cited**

U.S. PATENT DOCUMENTS

D850,874 S \* 6/2019 Piramoon ..... D8/40  
2012/0079795 A1\* 4/2012 Smith ..... A61B 50/00  
53/461

OTHER PUBLICATIONS

59S Car Air Max Sterilizing Strip, posted at 59s.com, no posting date, online URL:[http://www.59s.com/en/59s-car-air-max-sterilizing-strip.html#\\_pp=102\\_1496](http://www.59s.com/en/59s-car-air-max-sterilizing-strip.html#_pp=102_1496) (Year: 2019).\*

\* cited by examiner

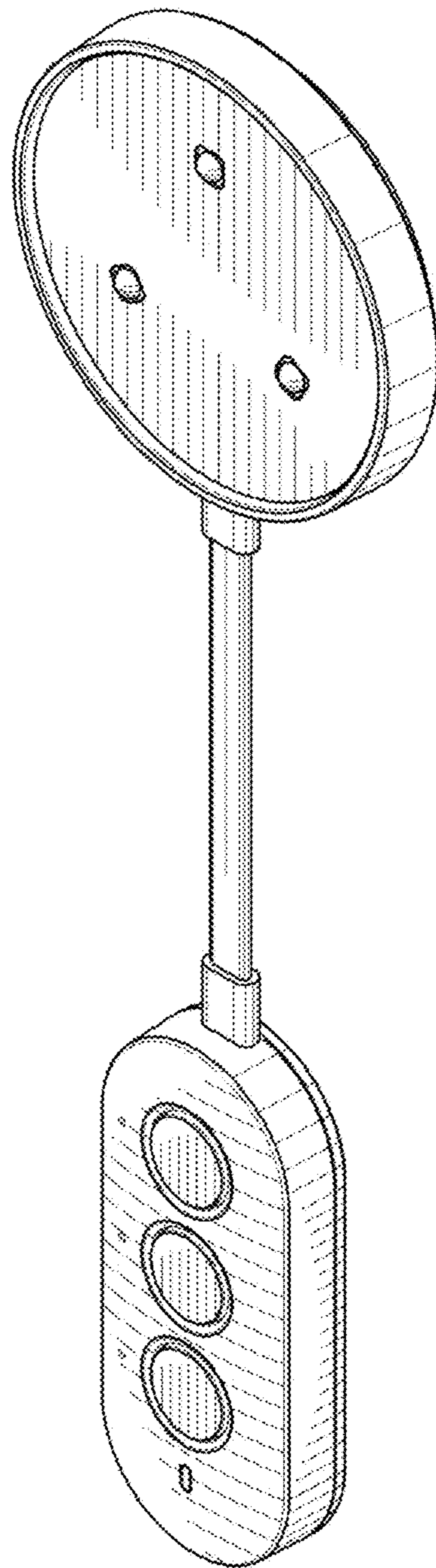


FIG. 1

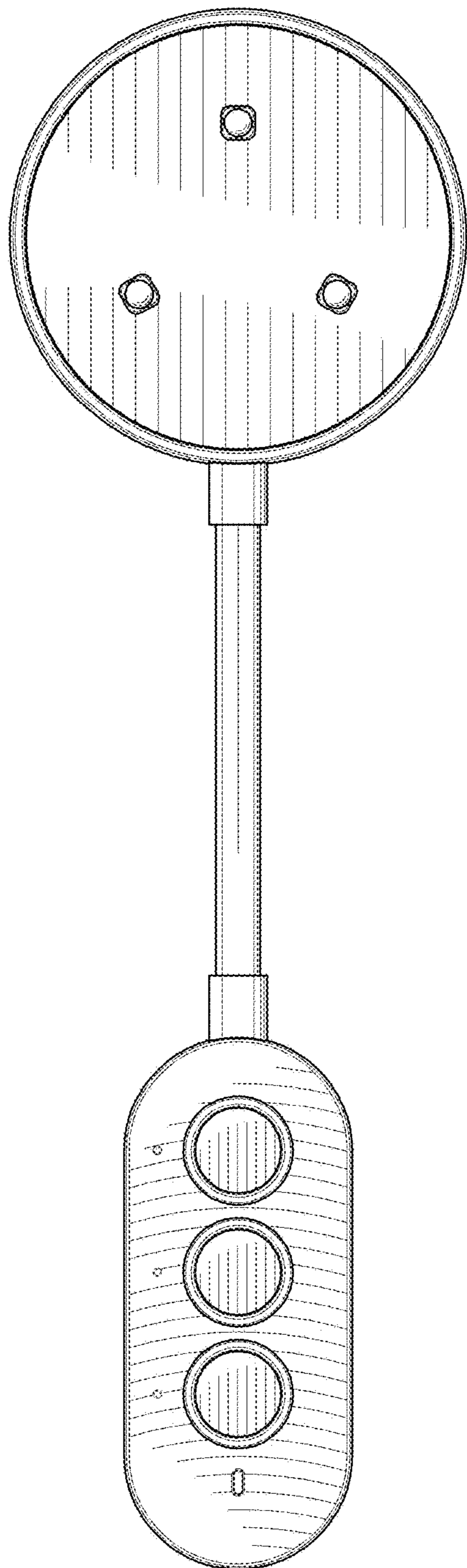


FIG. 2

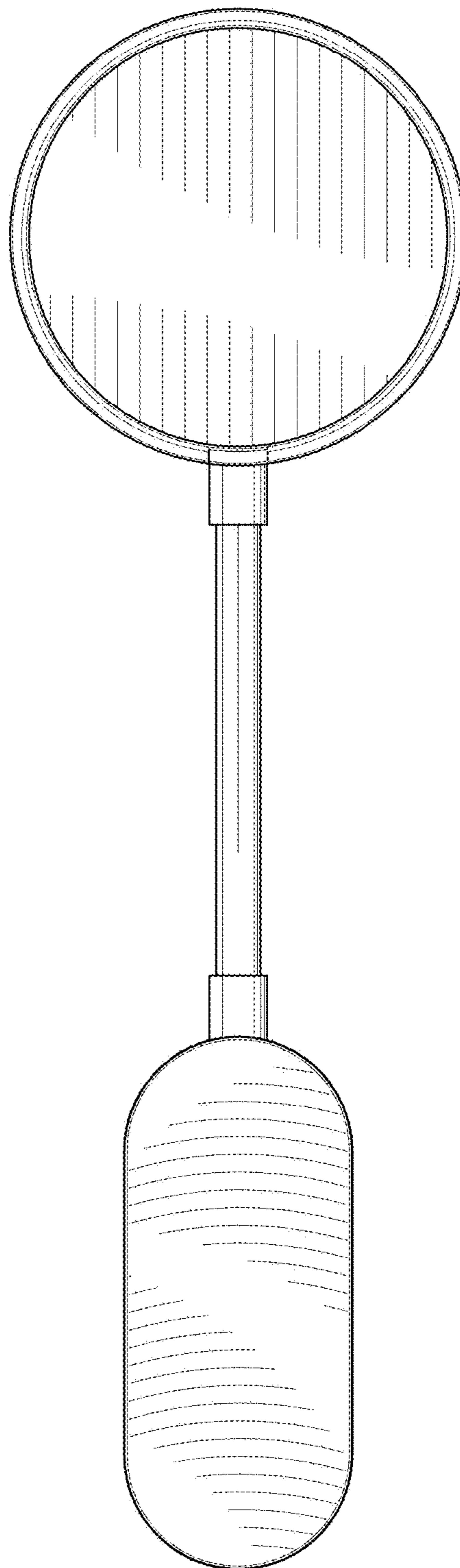


FIG. 3

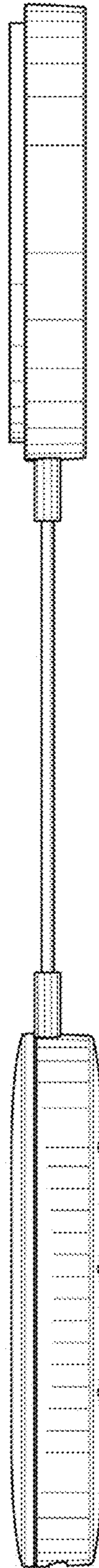


FIG. 4

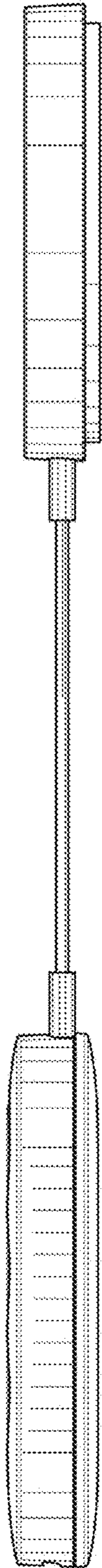


FIG. 5

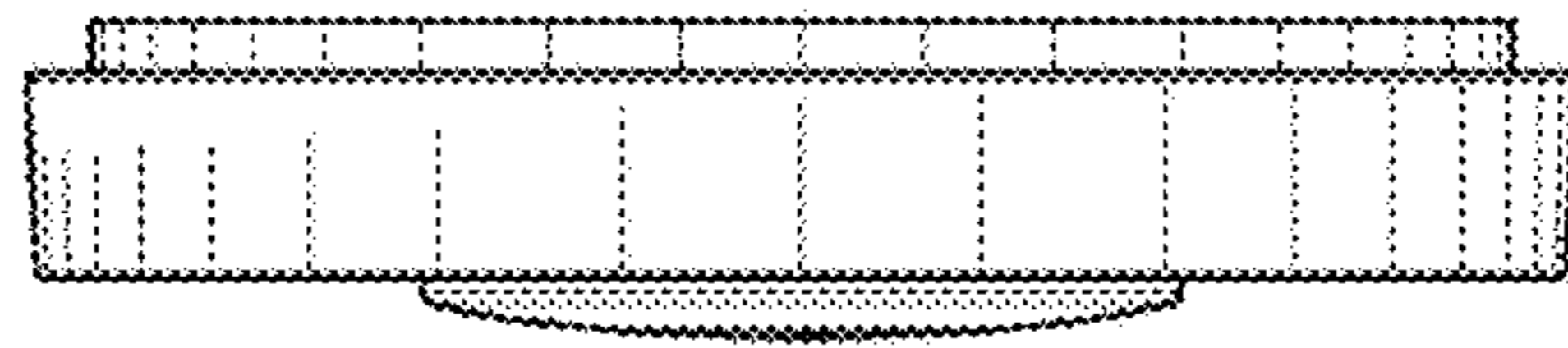


FIG. 6



FIG. 7