



US00D880714S

(12) **United States Design Patent**
Wersland et al.

(10) **Patent No.:** **US D880,714 S**
(45) **Date of Patent:** **** Apr. 7, 2020**

- (54) **PERCUSSIVE MASSAGE DEVICE**
- (71) Applicant: **THERAGUN, LLC**, Santa Monica, CA (US)
- (72) Inventors: **Jason Wersland**, Manhattan Beach, CA (US); **Benjamin Nazarian**, Beverly Hills, CA (US); **Jaime Sanchez Solana**, Los Angeles, CA (US); **Trent Hernandez**, Los Angeles, CA (US); **Rene Oehlerking**, Los Angeles, CA (US); **Dennis Matthew Puhalla**, Chicago, IL (US); **Jillian Tackaberry**, Chicago, IL (US); **Gary Paulsen**, Chicago, IL (US)
- (73) Assignee: **THERAGUN, LLC**, Santa Monica, CA (US)
- (**) Term: **15 Years**
- (21) Appl. No.: **29/674,836**
- (22) Filed: **Dec. 26, 2018**
- (51) **LOC (12) Cl.** **28-03**
- (52) **U.S. Cl.**
USPC **D24/215**
- (58) **Field of Classification Search**
USPC 601/15, 18, 19, 27, 28, 29, 30, 31, 32, 601/46, 47, 48, 52, 72, 99, 112, 113, 118, 601/135, 137, DIG. 12, DIG. 14, DIG. 15, 601/DIG. 16, DIG. 17; D24/200, 211, D24/212, 213, 214, 215; D8/14.1; 607/85
CPC .. A61H 23/0254; A61H 1/008; A61H 23/006; A61H 7/007
See application file for complete search history.

- 3,968,789 A * 7/1976 Simoncini A46B 13/04 601/95
 - 4,691,693 A * 9/1987 Sato A61H 7/003 601/15
 - 4,989,613 A * 2/1991 Finkenberg A61B 5/4504 601/46
 - D329,291 S * 9/1992 Wollman D24/200
 - D329,292 S * 9/1992 Wollman D24/200
- (Continued)

OTHER PUBLICATIONS

Amazon, "Theragun Liv Percussive Massager Muscle Stimulator", May 22, 2019. https://www.amazon.com/Theragun-Percussive-Massager-Muscle-Stimulator/dp/B07QJDVWWT/ref=cm_cr_arpd_product_top?ie=UTF8. Shown on p. 1. (Year: 2019).*

Primary Examiner — Cynthia Ramirez
Assistant Examiner — Michael A Maharajh
(74) *Attorney, Agent, or Firm* — Jeffer Mangels Butler & Mitchell LLP; Brennan C. Swain, Esq.

(57) **CLAIM**

The ornamental design for a percussive massage device, as shown and described.

DESCRIPTION

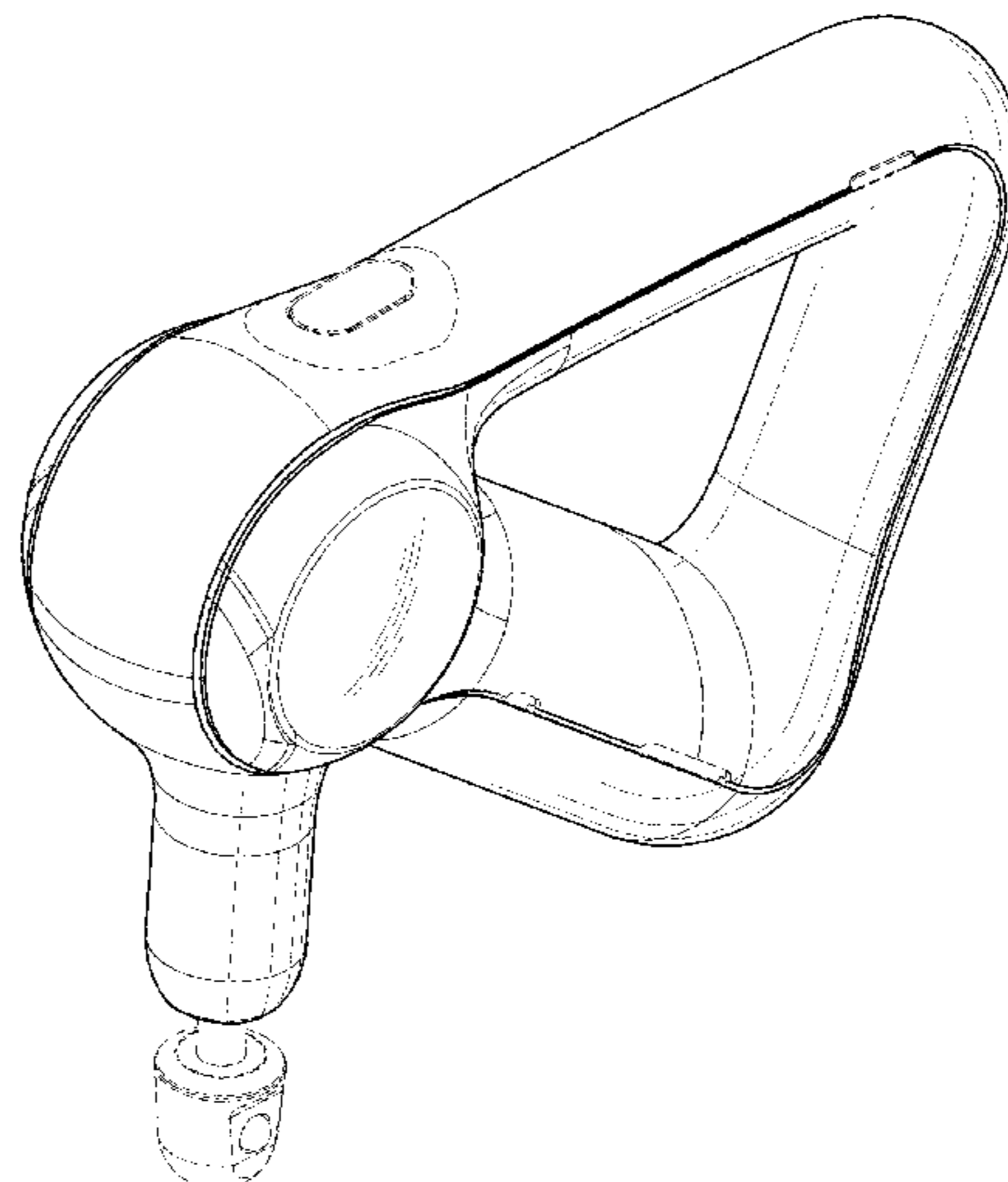
FIG. 1 is a top perspective view of a percussive massage device, showing our new design;
FIG. 2 is a right side elevational view, the left side elevational view being a mirror image thereof;
FIG. 3 is a front elevational view;
FIG. 4 is a rear elevational view;
FIG. 5 is a top plan view;
FIG. 6 is a bottom plan view; and,
FIG. 7 is a bottom perspective view.
The broken lines shown in the figures are for the purpose of illustrating portions of the percussive massage device that form no part of the claimed design.

1 Claim, 5 Drawing Sheets

(56) **References Cited**

U.S. PATENT DOCUMENTS

- 1,594,636 A * 8/1926 Smith A61H 23/02 601/DIG. 17
- 1,784,301 A * 12/1930 Mekler A61H 9/005 601/112



(56)

References Cited

U.S. PATENT DOCUMENTS

D331,467 S *	12/1992	Wollman	D24/200	D847,364 S *	4/2019	Lee	D24/215
D388,175 S *	12/1997	Lie	D24/215	D847,990 S *	5/2019	Kimball	D24/133
5,925,002 A *	7/1999	Wollman	A61H 23/0263 601/46	10,314,762 B1 *	6/2019	Marton	A61H 23/006
D430,938 S *	9/2000	Lee	D24/214	10,357,425 B2 *	7/2019	Wersland	A61H 15/0085
D448,852 S *	10/2001	Engelen	D24/215	D855,822 S *	8/2019	Marton	D24/215
6,401,289 B1 *	6/2002	Herbert	A61H 7/005 601/138	2002/0177795 A1 *	11/2002	Frye	A61H 1/008 601/84
D476,746 S *	7/2003	Harris	D24/214	2002/0188233 A1 *	12/2002	Denyes	A61H 19/34 601/46
D531,733 S *	11/2006	Burout, III	D24/215	2003/0195443 A1 *	10/2003	Miller	A61H 1/008 601/108
D553,252 S *	10/2007	Masuda	D24/214	2005/0131461 A1 *	6/2005	Tucek	A61H 1/008 601/108
D606,192 S *	12/2009	Summerer	D24/133	2006/0116614 A1 *	6/2006	Jones	A61H 15/0085 601/46
D649,657 S *	11/2011	Petersen	D24/215	2006/0211961 A1 *	9/2006	Meyer	A61H 7/005 601/15
D658,759 S *	5/2012	Marescaux	D24/133	2010/0145242 A1 *	6/2010	Tsai	A61H 7/004 601/135
8,435,194 B2 *	5/2013	Dverin	A61B 18/14 601/112	2010/0160841 A1 *	6/2010	Wu	A61H 7/004 601/135
D703,337 S *	4/2014	Fuhr	D24/200	2010/0274162 A1 *	10/2010	Evans	A61F 7/007 601/15
D706,433 S *	6/2014	Fuhr	D24/200	2012/0197357 A1 *	8/2012	Dewey	A61B 18/203 607/89
D708,742 S *	7/2014	Dallemagne	D24/133	2013/0030506 A1 *	1/2013	Bartolone	A61N 5/0616 607/89
D734,863 S *	7/2015	Hennessey	D24/214	2014/0221887 A1 *	8/2014	Wu	A61H 15/0092 601/112
D735,348 S *	7/2015	Hennessey	D24/211	2015/0119771 A1 *	4/2015	Roberts	A61H 39/04 601/135
D759,237 S *	6/2016	Heath	D24/133	2018/0154141 A1 *	6/2018	Ahn	A61H 39/08
D759,238 S *	6/2016	Heath	D24/133	2018/0200141 A1 *	7/2018	Wersland	A61H 1/008
D763,442 S *	8/2016	Price	D24/133	2019/0175434 A1 *	6/2019	Zhang	A61H 1/008
D778,439 S *	2/2017	Hakansson	D24/133	2019/0254921 A1 *	8/2019	Marton	A61H 23/006
D819,221 S *	5/2018	Lei	D24/200	2019/0254922 A1 *	8/2019	Marton	A61H 23/006
D823,478 S *	7/2018	Park	D24/215					
D837,395 S *	1/2019	Gan	D24/214					
D838,378 S *	1/2019	Cao	D24/215					
D840,547 S *	2/2019	Harle	D24/214					
D842,491 S *	3/2019	Fleming	D24/215					
D843,656 S *	3/2019	Zhang	D24/133					
D844,896 S *	4/2019	Levi	D24/133					
D847,362 S *	4/2019	Tang	D24/215					

* cited by examiner

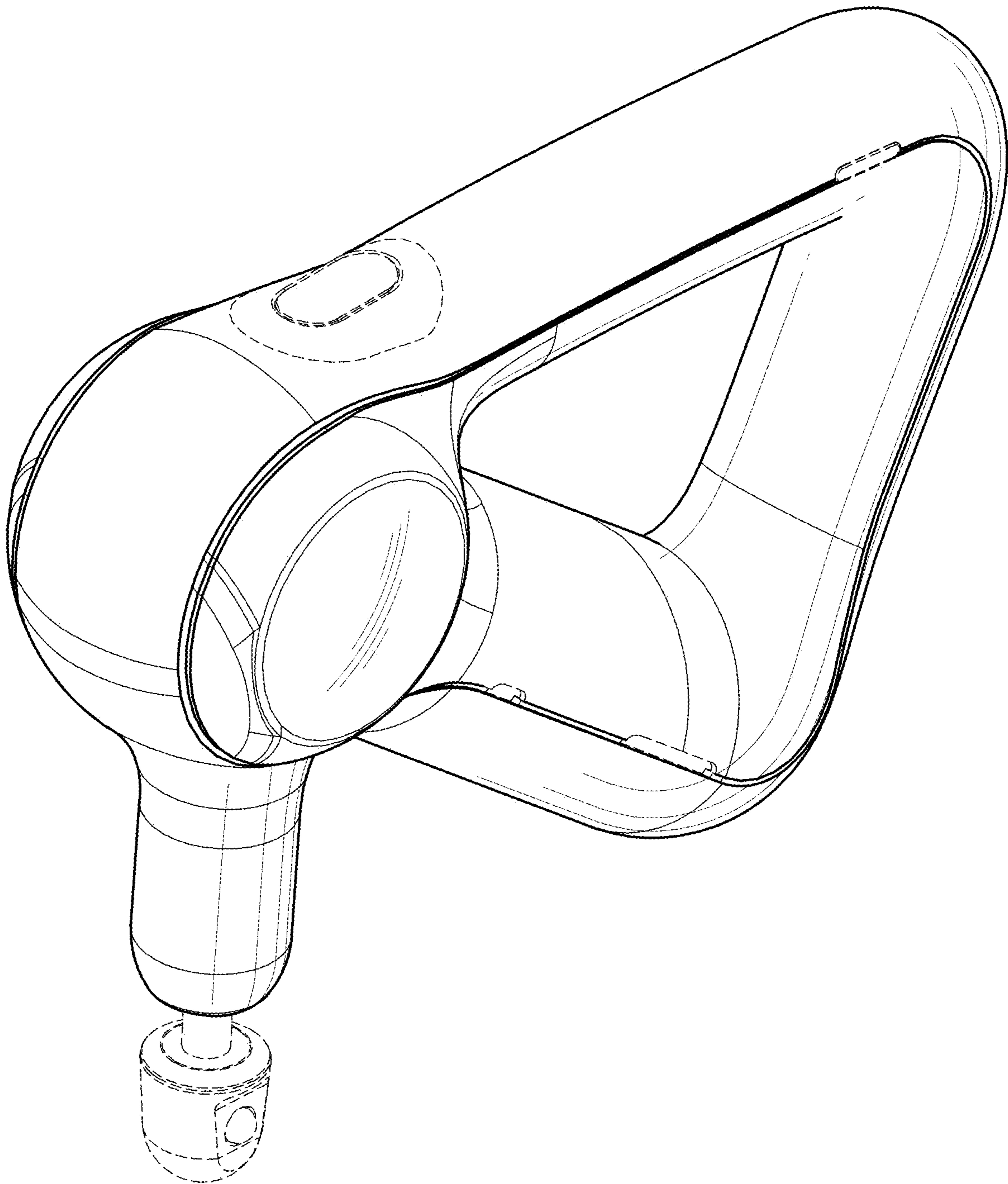


FIG. 1

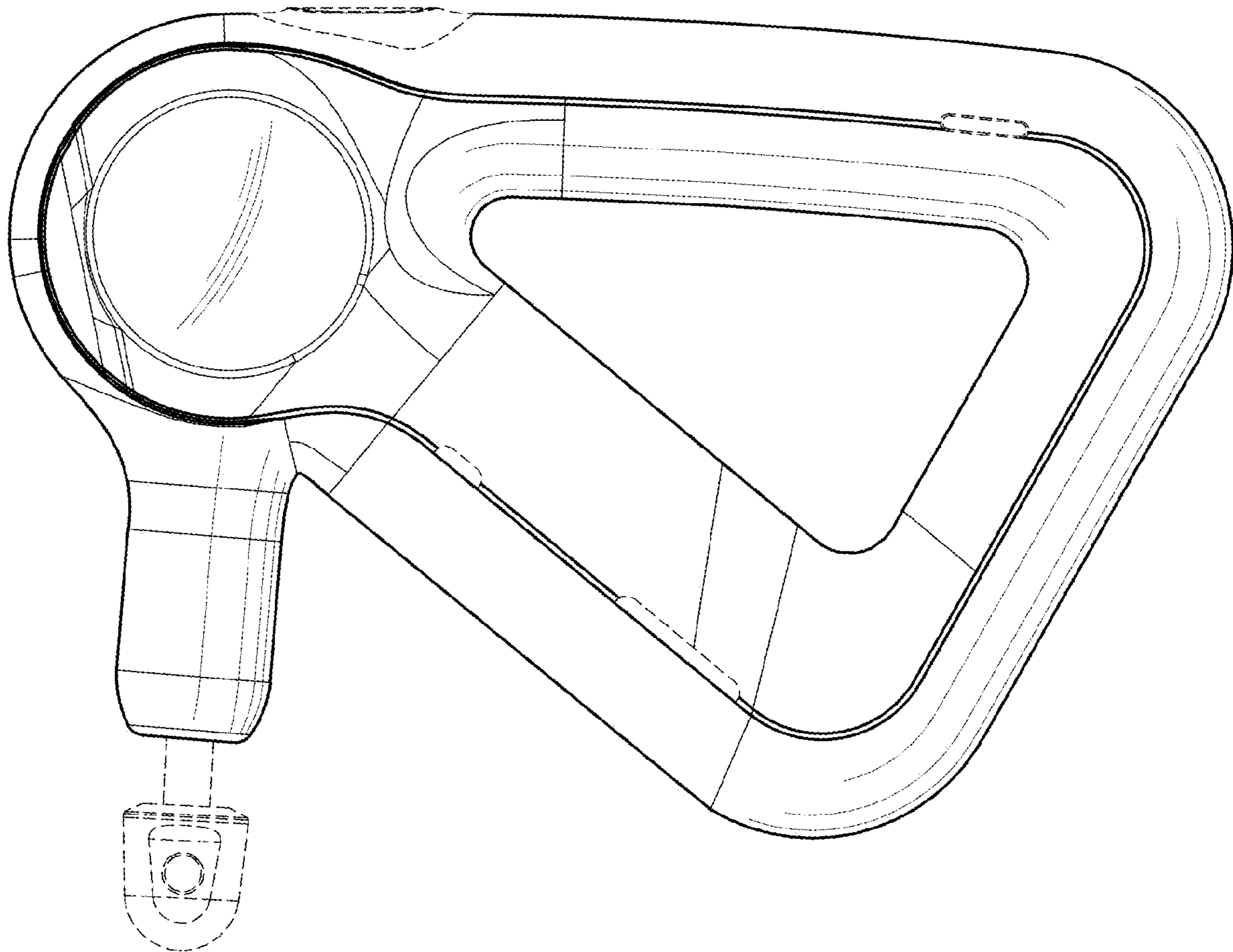


FIG. 2

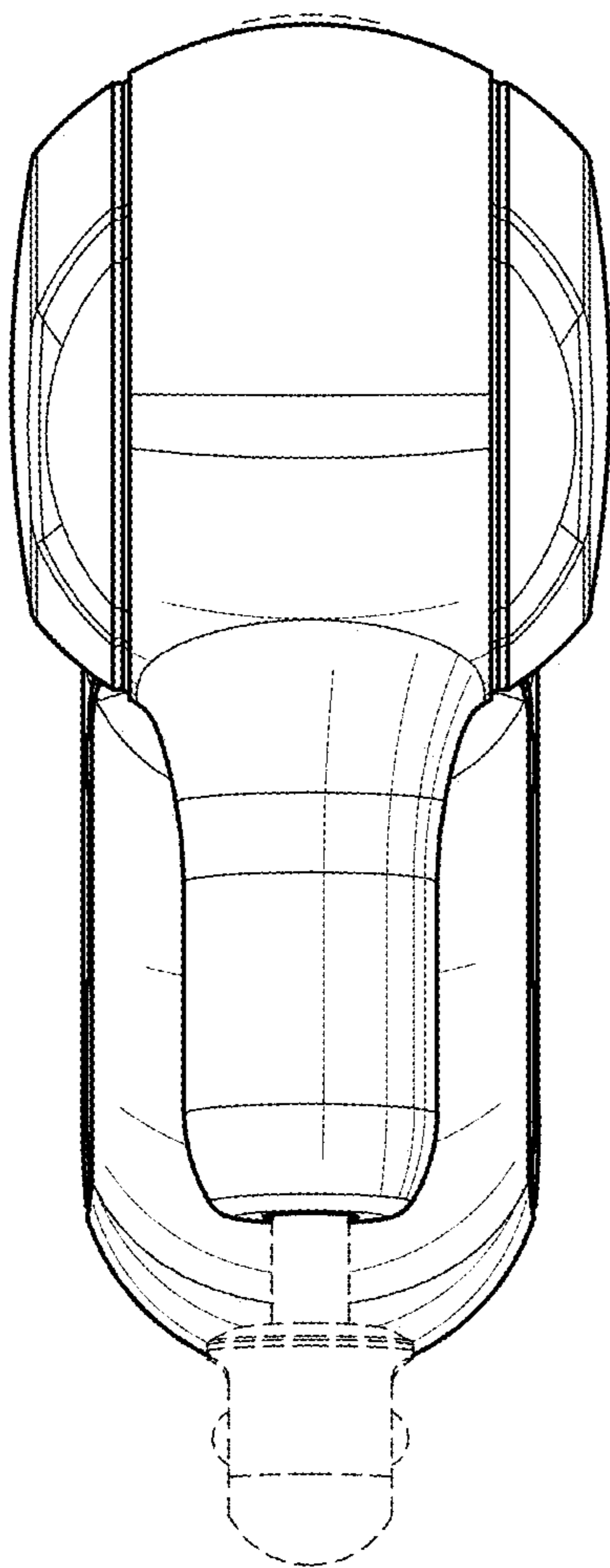


FIG. 3

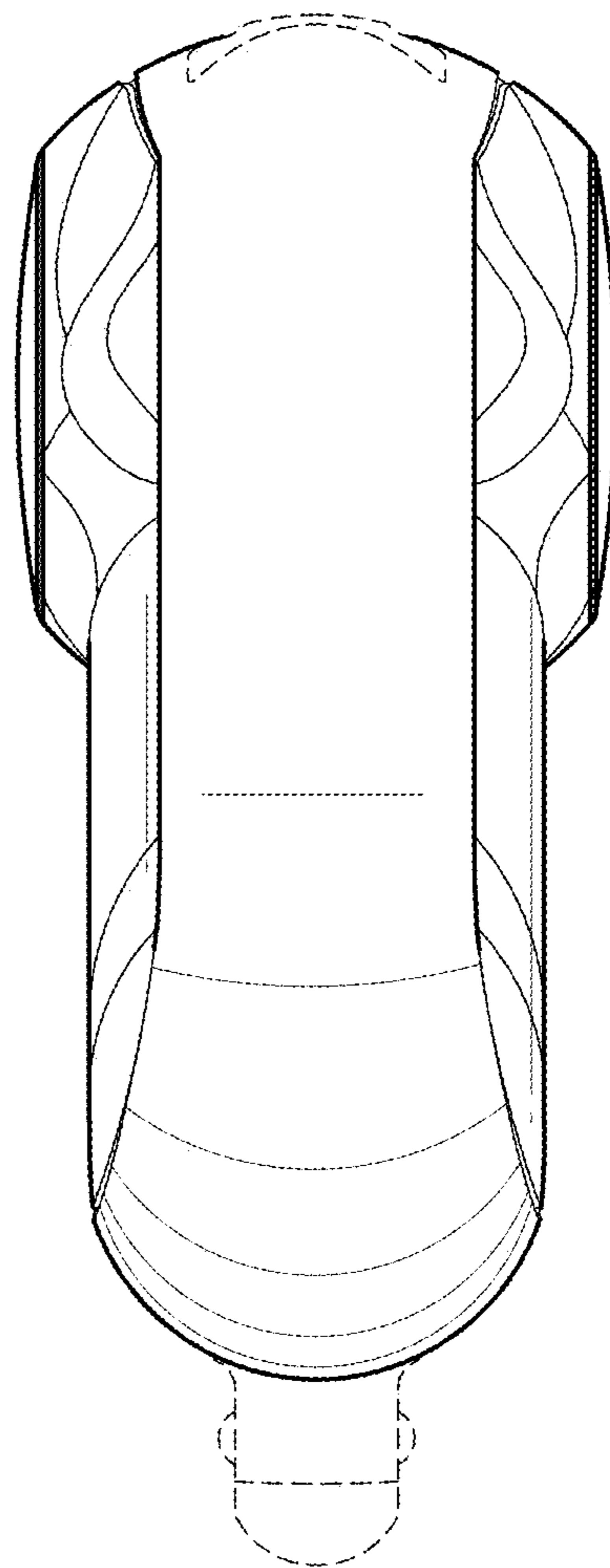


FIG. 4

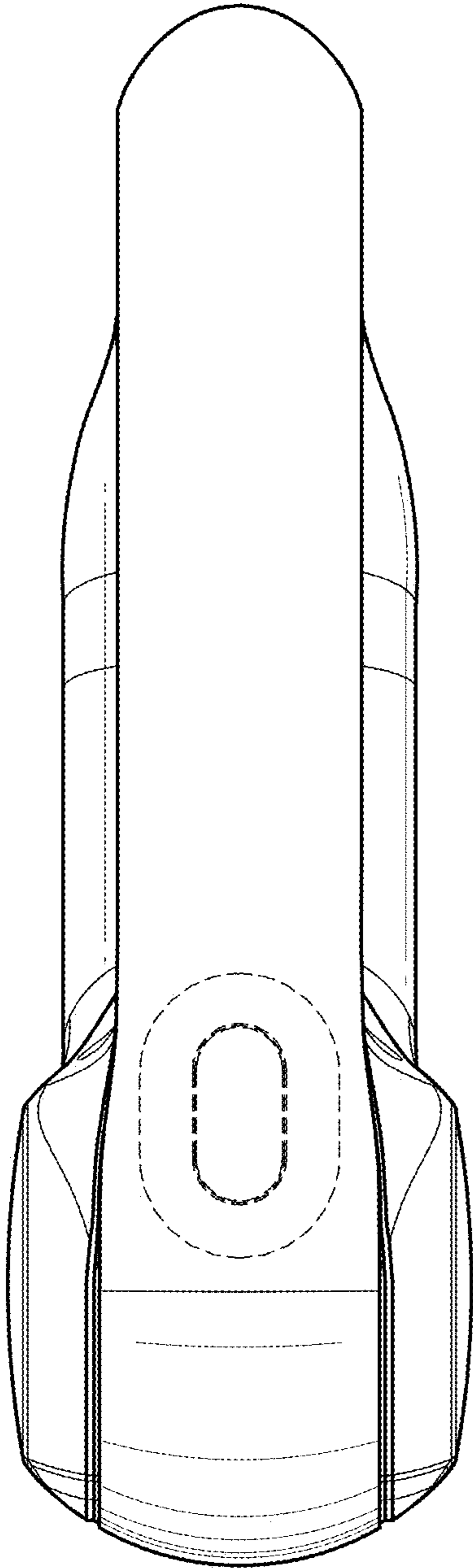


FIG. 5

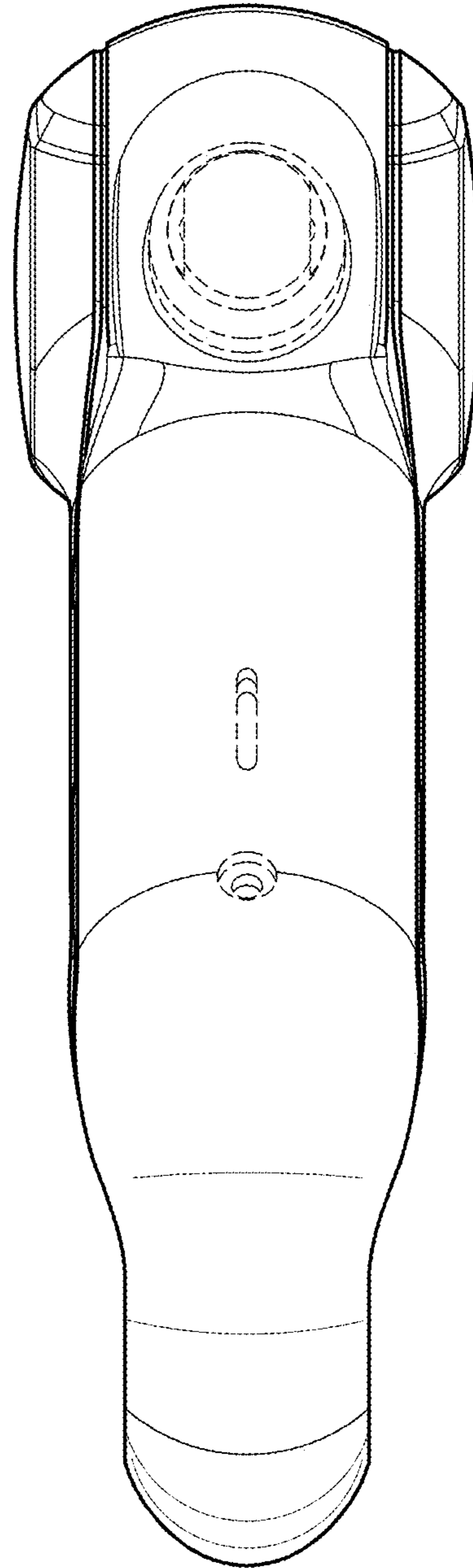


FIG. 6

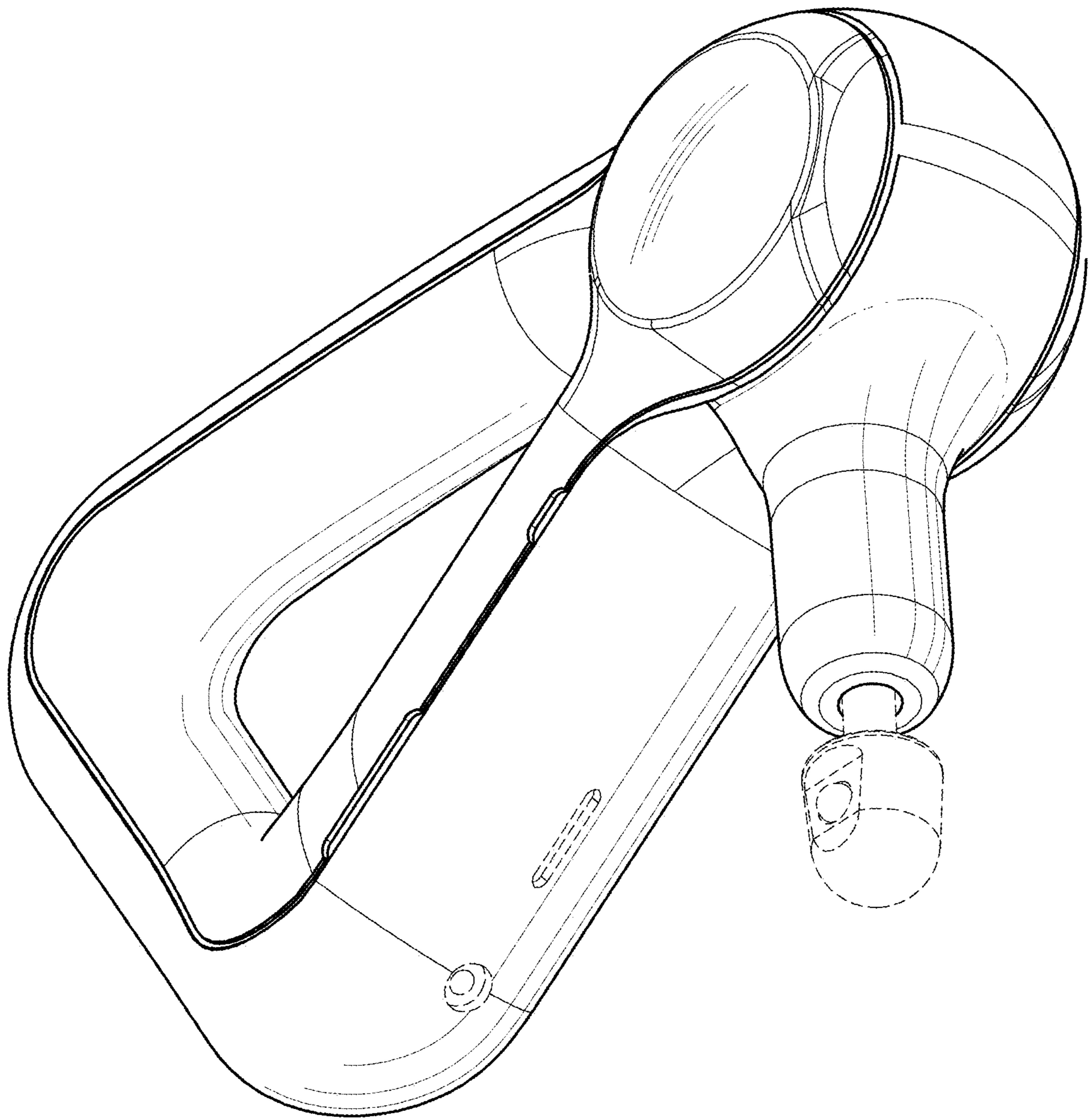


FIG. 7