



US00D880713S

(12) **United States Design Patent** (10) **Patent No.:** **US D880,713 S**  
**Sedic** (45) **Date of Patent:** **\*\* Apr. 7, 2020**

(54) **PERSONAL MASSAGE APPARATUS FOR MEN**

(71) Applicant: **Filip Sedic**, Shanghai (CN)

(72) Inventor: **Filip Sedic**, Shanghai (CN)

(73) Assignee: **LELO Inc.**, San Jose, CA (US)

(\*\*) Term: **15 Years**

(21) Appl. No.: **29/659,457**

(22) Filed: **Aug. 9, 2018**

(51) **LOC (12) Cl.** ..... **28-03**

(52) **U.S. Cl.**  
USPC ..... **D24/215**

(58) **Field of Classification Search**  
USPC ..... 601/15, 18, 19, 46, 47, 48, 52, 99, 112, 601/113, 118, 125, 129, 134, 135, 137, 601/DIG. 12, DIG. 14, DIG. 15, DIG. 16, 601/DIG. 17; D24/133, 200, 211, 212, D24/213, 214, 215; 600/38, 39, 40, 41; D9/418

CPC ..... A61H 19/30; A61H 2201/0153; A61H 2205/087; A61H 23/02

See application file for complete search history.

(56) **References Cited**

**U.S. PATENT DOCUMENTS**

- 3,401,687 A \* 9/1968 Hood ..... A61F 5/41 600/39
- 4,074,712 A \* 2/1978 Wright ..... A61F 6/04 600/39
- 4,224,933 A \* 9/1980 Reiling ..... A61F 5/41 600/39
- 4,228,792 A \* 10/1980 Rhys-Davies ..... A61B 17/1322 601/19
- 5,620,429 A \* 4/1997 Al-Saleh ..... A61F 6/065 600/38

- 5,782,818 A \* 7/1998 Shubin ..... A61B 10/0058 600/38
- 6,368,268 B1 4/2002 Sandvick et al.
- 7,044,938 B2 \* 5/2006 La Bianco ..... A61B 17/54 601/112
- D527,252 S \* 8/2006 Bolt ..... D9/418
- D529,619 S \* 10/2006 Onozawa ..... D24/212
- D567,957 S \* 4/2008 Critchley ..... D24/105
- D579,324 S \* 10/2008 Schmidt ..... D9/418
- D591,589 S \* 5/2009 Myers ..... D9/418
- D592,046 S \* 5/2009 Myers ..... D9/418
- D698,453 S \* 1/2014 Tai ..... D24/215

(Continued)

**OTHER PUBLICATIONS**

Lelo, "F1 Developer's kit Red", Aug. 13, 2019. <https://www.lelo.com/fls-developers-kit-red>. shown on pp. 1-3. (Year: 2019).\*

(Continued)

*Primary Examiner* — Cynthia Ramirez

*Assistant Examiner* — Michael A Maharajh

(74) *Attorney, Agent, or Firm* — Evan Feldstein

(57) **CLAIM**

I claim the ornamental design for a personal massage apparatus for men, as shown and described.

**DESCRIPTION**

FIG. 1 is a perspective view of a personal massage apparatus for men showing my new design.

FIG. 2 is a bottom view thereof.

FIG. 3 is a top view thereof.

FIG. 4 is a rear view thereof.

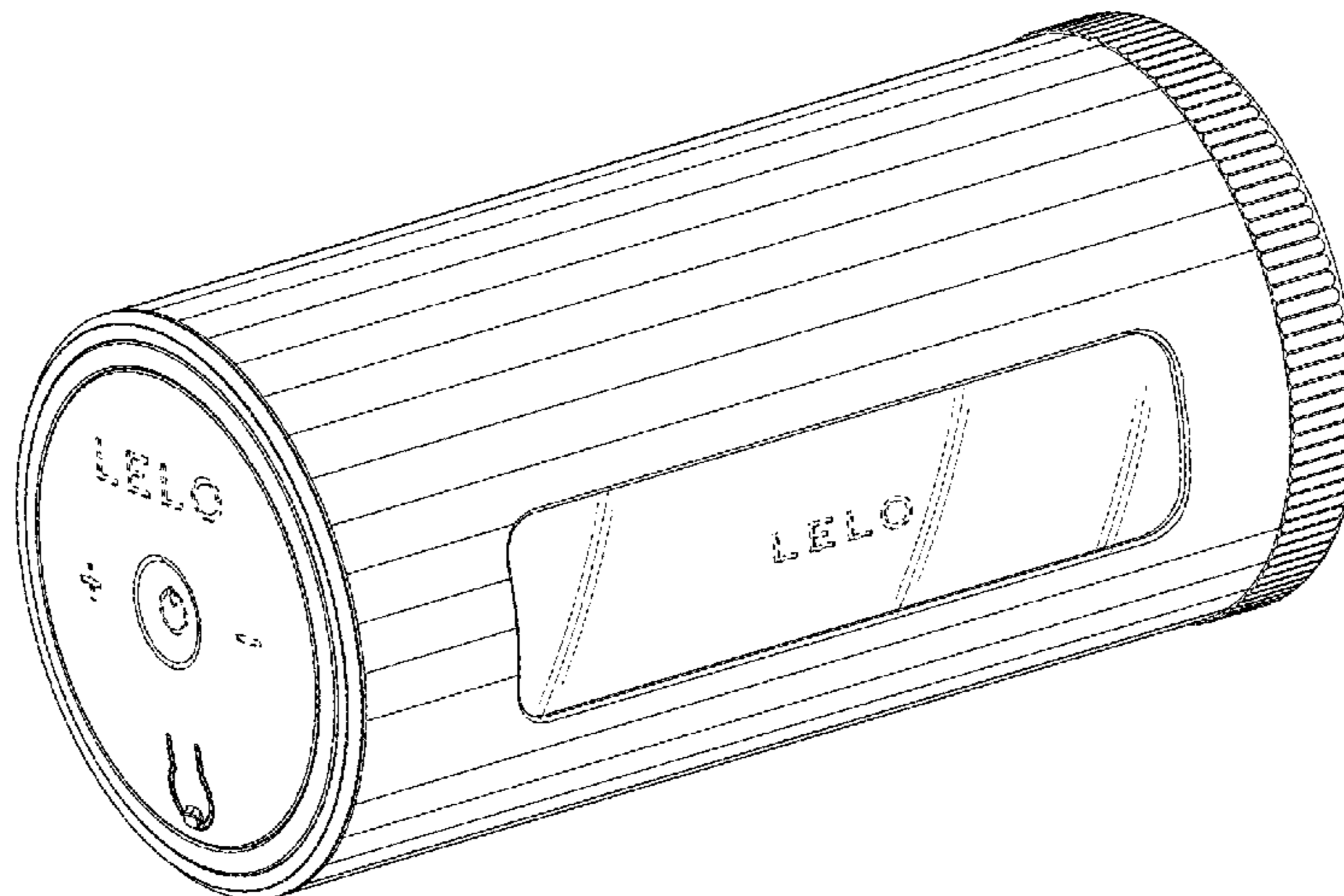
FIG. 5 is a right side view thereof.

FIG. 6 is a front view thereof; and,

FIG. 7 is a left side view thereof.

The broken lines shown in FIG. 3 are for the purpose of illustrating portions of the personal massage apparatus for men, which form no part of the claimed design.

**1 Claim, 7 Drawing Sheets**



(56)

**References Cited**

## U.S. PATENT DOCUMENTS

D700,348 S *	2/2014	Tai .....	D24/215
D700,349 S *	2/2014	Tai .....	D24/215
D716,464 S *	10/2014	Kanbar .....	A61H 19/40 D24/215
9,138,372 B2	9/2015	Rueda	
D767,781 S *	9/2016	Gong .....	D24/215
9,452,378 B2 *	9/2016	Jackson .....	B01D 46/523
D770,055 S *	10/2016	Sedic .....	D24/215
9,789,430 B2 *	10/2017	Jackson .....	B01D 46/0024
D810,955 S *	2/2018	Miklavc .....	D24/215
D821,565 S *	6/2018	Sedic .....	D24/105
2003/0171647 A1	9/2003	Garland	
2004/0133070 A1 *	7/2004	Lin .....	A61F 5/41 600/38
2006/0264856 A1	11/2006	Wong	
2009/0024063 A1 *	1/2009	Kalvatanond .....	A61N 5/0613 601/15
2012/0165710 A1 *	6/2012	Nichols .....	A61H 7/005 601/72
2012/0232335 A1 *	9/2012	Eisenberg .....	A61H 19/32 600/38
2015/0190304 A1 *	7/2015	Lawrie .....	A61H 15/0092 601/118
2015/0283025 A1 *	10/2015	Ledany .....	A61H 23/0263 601/18
2016/0008214 A1 *	1/2016	Giampietro .....	A61H 19/32 600/38
2016/0038334 A1 *	2/2016	Sedic .....	A61F 6/04 128/844

## OTHER PUBLICATIONS

Satisfyer, "Satisfyer men", [www.satisfyer.com](http://www.satisfyer.com), pp. 1-9, <https://us.satisfyer.com/us/satisfyer-men.15/satisfyer-men>, accessed Jan. 2018.

Kiirroo, "Onyx2—The Master of Interactive Pleasure," [www.kiirroo.com](http://www.kiirroo.com), pp. 1-11, <https://www.kiirroo.com/products/onyx-2>, accessed Jan. 2018.

Fleshlight, "Fleshlight Launch," [www.fleshlight.com](http://www.fleshlight.com), pp. 1-11, <https://www.fleshlight.com/pages/launch?locale=en>, accessed Jan. 2018.

ImToy, "Piu Interactive Male Vibrator," [www.imtoy.com](http://www.imtoy.com), pp. 1-12, <https://en.imtoy.com/sales-letter-order-form18385006>, accessed Jan. 2018.

Blewit, "Blewit V2," [www.blewit.com](http://www.blewit.com), pp. 1-3, <https://blewit.com/product/blewit/>, accessed Jan. 2018.

iCon, "i.Con Smart Condom," [www.BritishCondoms.com](http://www.BritishCondoms.com), pp. 1-3, <https://britishcondoms.uk/i-con-smart-condoms.html>, accessed Jan. 2018.

Andrew Quitmeyer, "The Mod- Multivibrating Open-Source Dildo," [www.indiegogo.com](http://www.indiegogo.com), pp. 1-2, <https://www.indiegogo.com/projects/the-mod-multivibrating-open-source-dildo/>, accessed Jan. 2018.

Alexandra Ars, "Master Beta Kit: Easy Erotic Engineering," [www.indiegogo.com](http://www.indiegogo.com), pp. 1-2, <https://www.indiegogo.com/projects/master-beta-kit-easy-erotic-engineering-2/>, accessed Jan. 2018.

Fleshlight, "Stamina Training Unit Lady," [www.fleshlight.com](http://www.fleshlight.com), pp. 1-8, <https://www.fleshlight.com/collections/stamina-training-fl-toys/products/stamina-training-unit>, accessed Jan. 2018.

Hoctopuss, "Pulse III—Solo & Duo," [www.hoctopuss.com](http://www.hoctopuss.com), pp. 1-12, <https://www.hoctopuss.com/pulse-iii/>, accessed Jan. 2018.

Autoblow, "Automatic Blowjob Just Got Even Better," [www.autoblow.com](http://www.autoblow.com), pp. 1-4, <https://www.autoblow2.com/autoblow-2>, accessed Jan. 2018.

Tenga, "Flip 0—Zeroing in on the Possibilities of Pleasure," [www.tenga-global.com](http://www.tenga-global.com), pp. 1-2, <https://www.tenga-global.com/products/hole/flip-0/>, accessed Jan. 2018.

Nathaniel Eliason, "Stamena—Longer lasting sex kegel trainer for men," [itunes.apple.com](https://itunes.apple.com/us/app/stamena-longer-lasting-sex-kegel-trainer-for-men/id1106687104?mt=8), pp. 1-3, <https://itunes.apple.com/us/app/stamena-longer-lasting-sex-kegel-trainer-for-men/id1106687104?mt=8>, accessed Jan. 2018.

\* cited by examiner

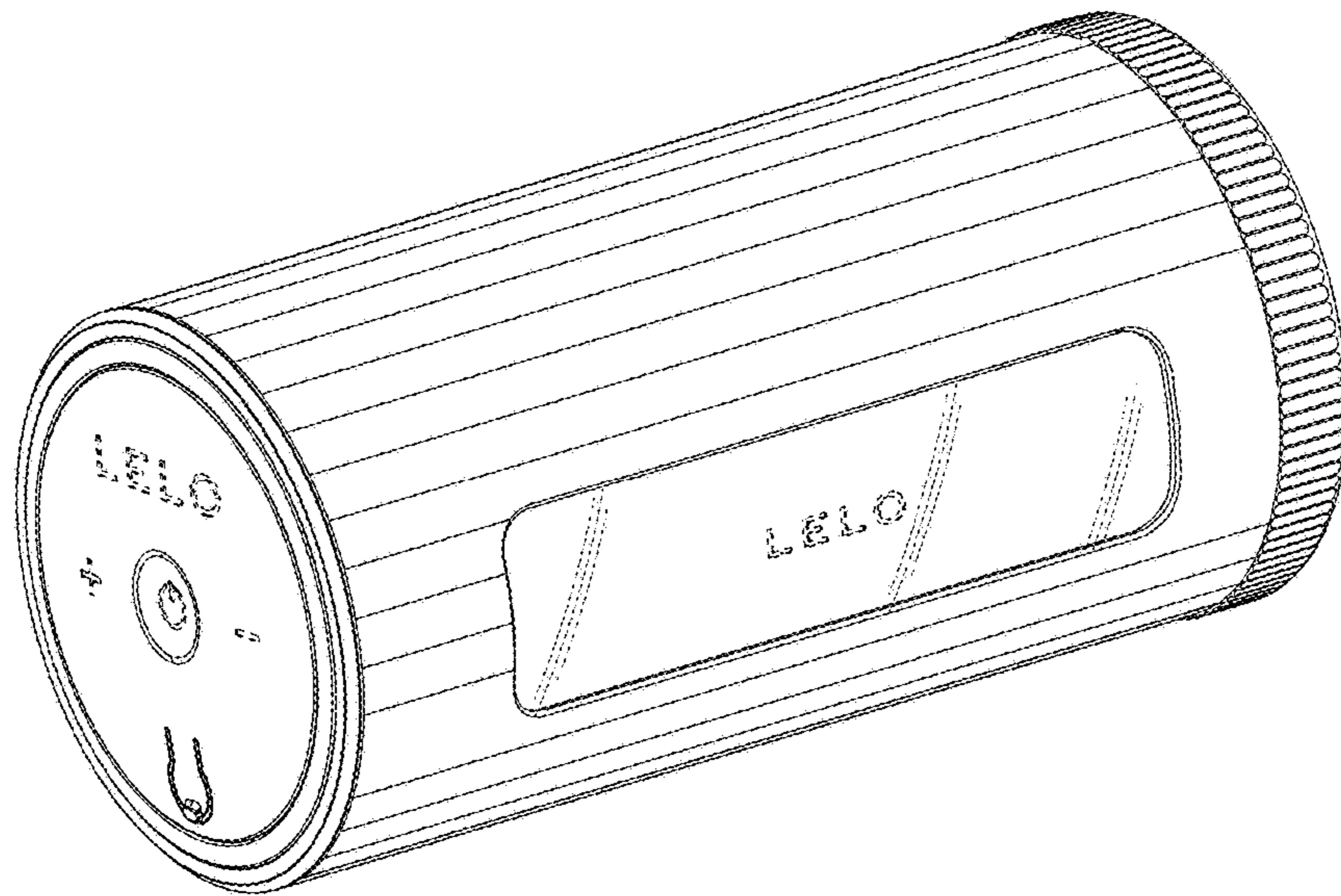


FIG. 1



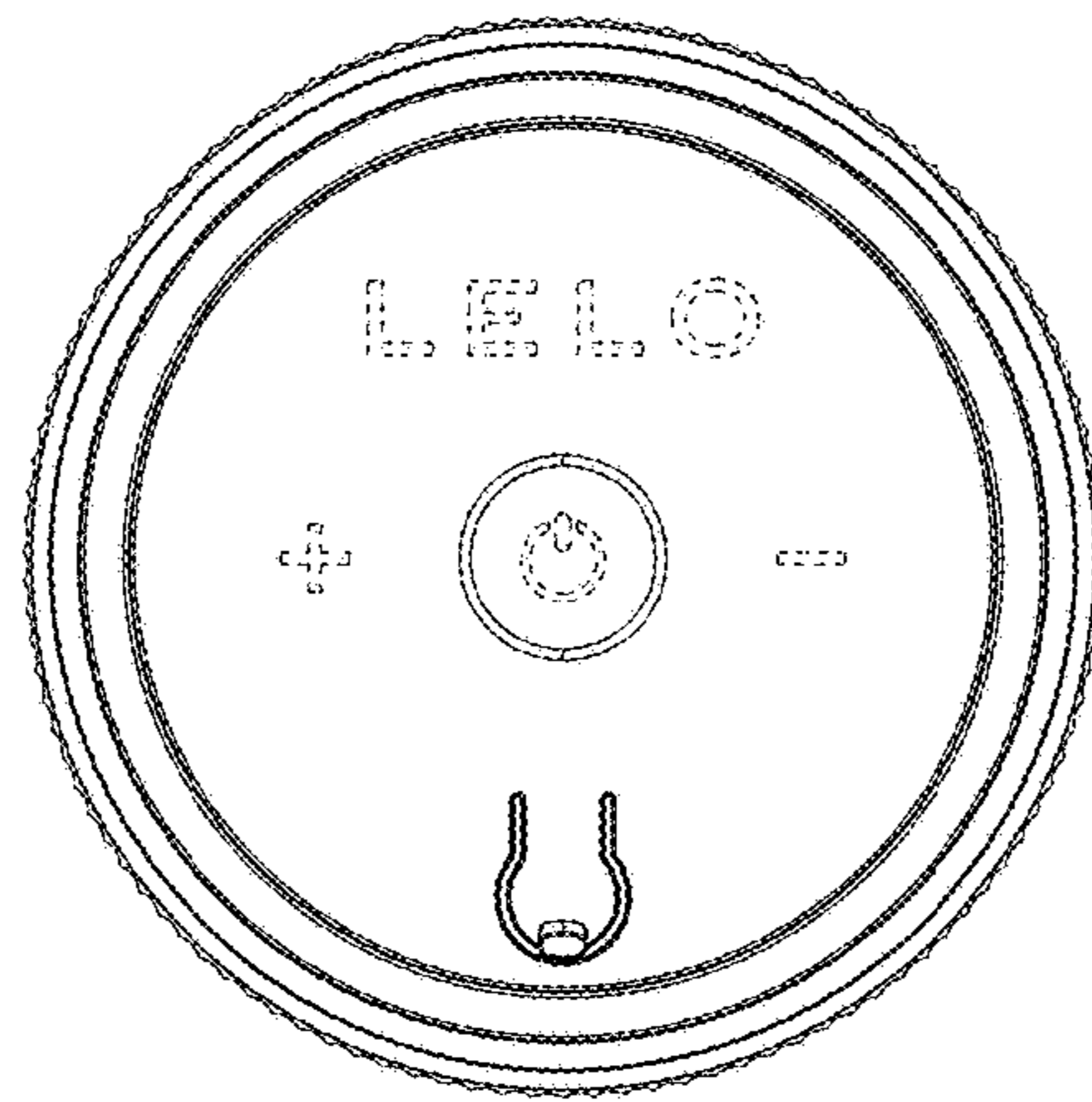
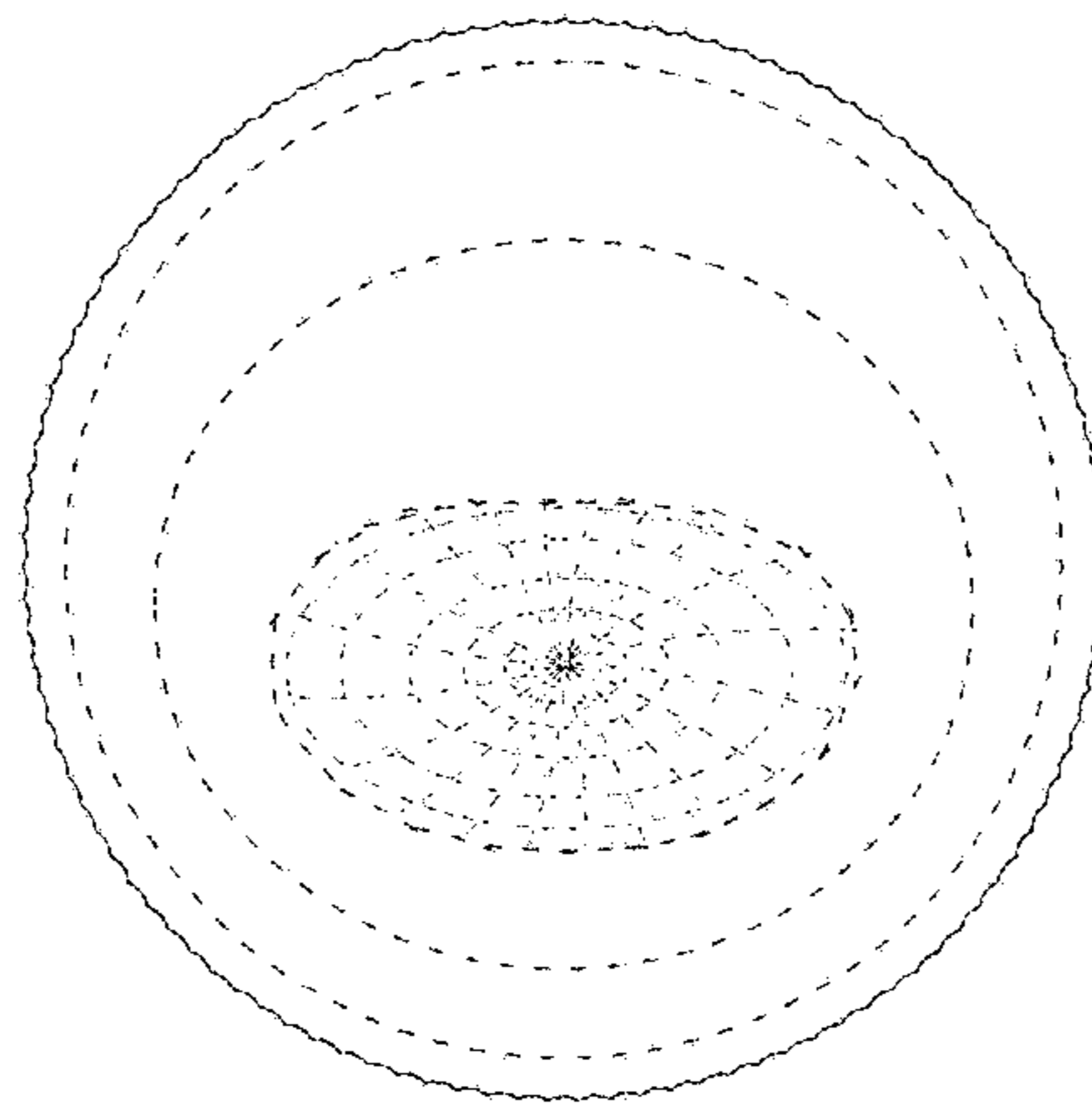


FIG. 2



**FIG. 3**

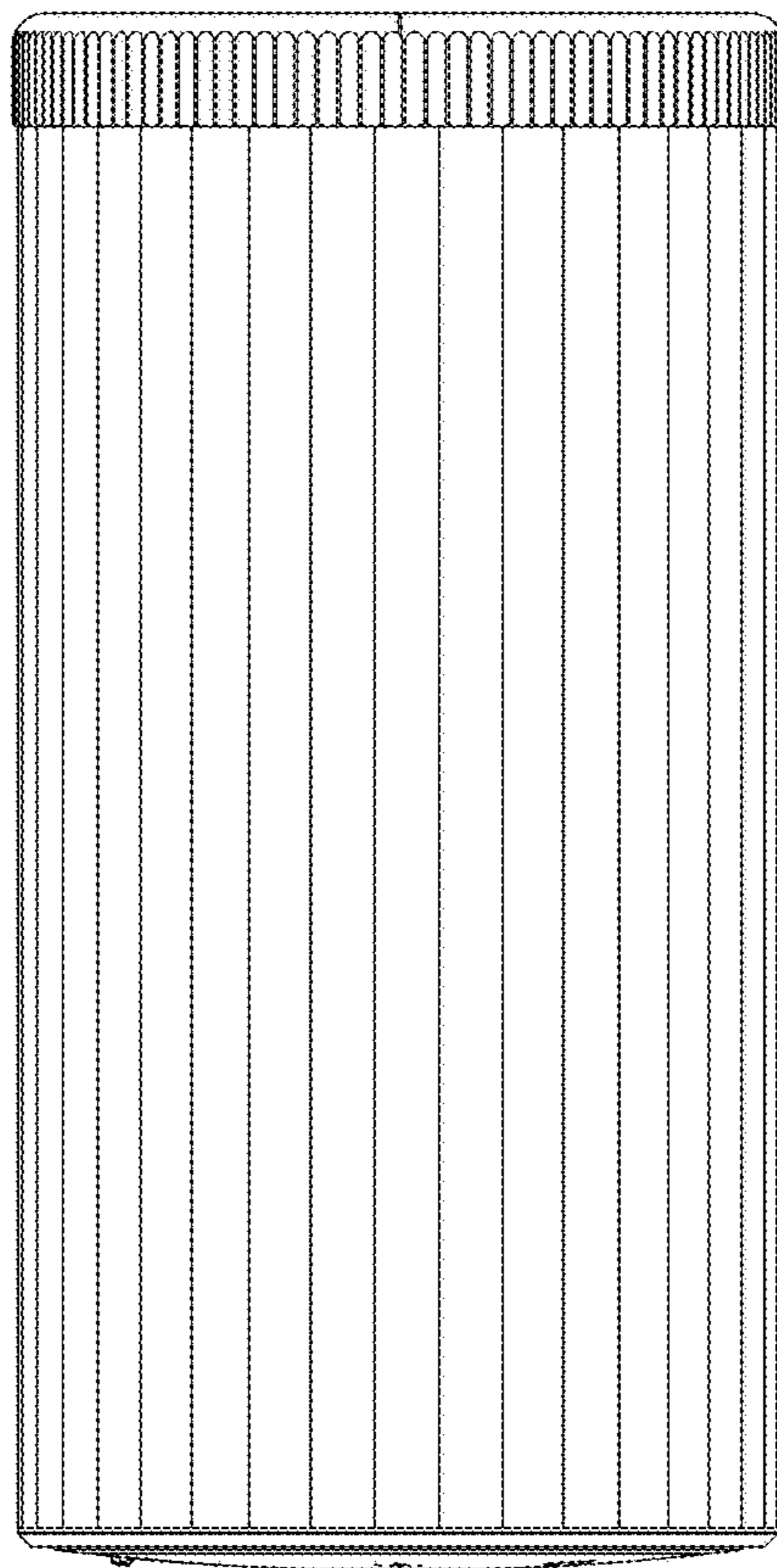


FIG. 4

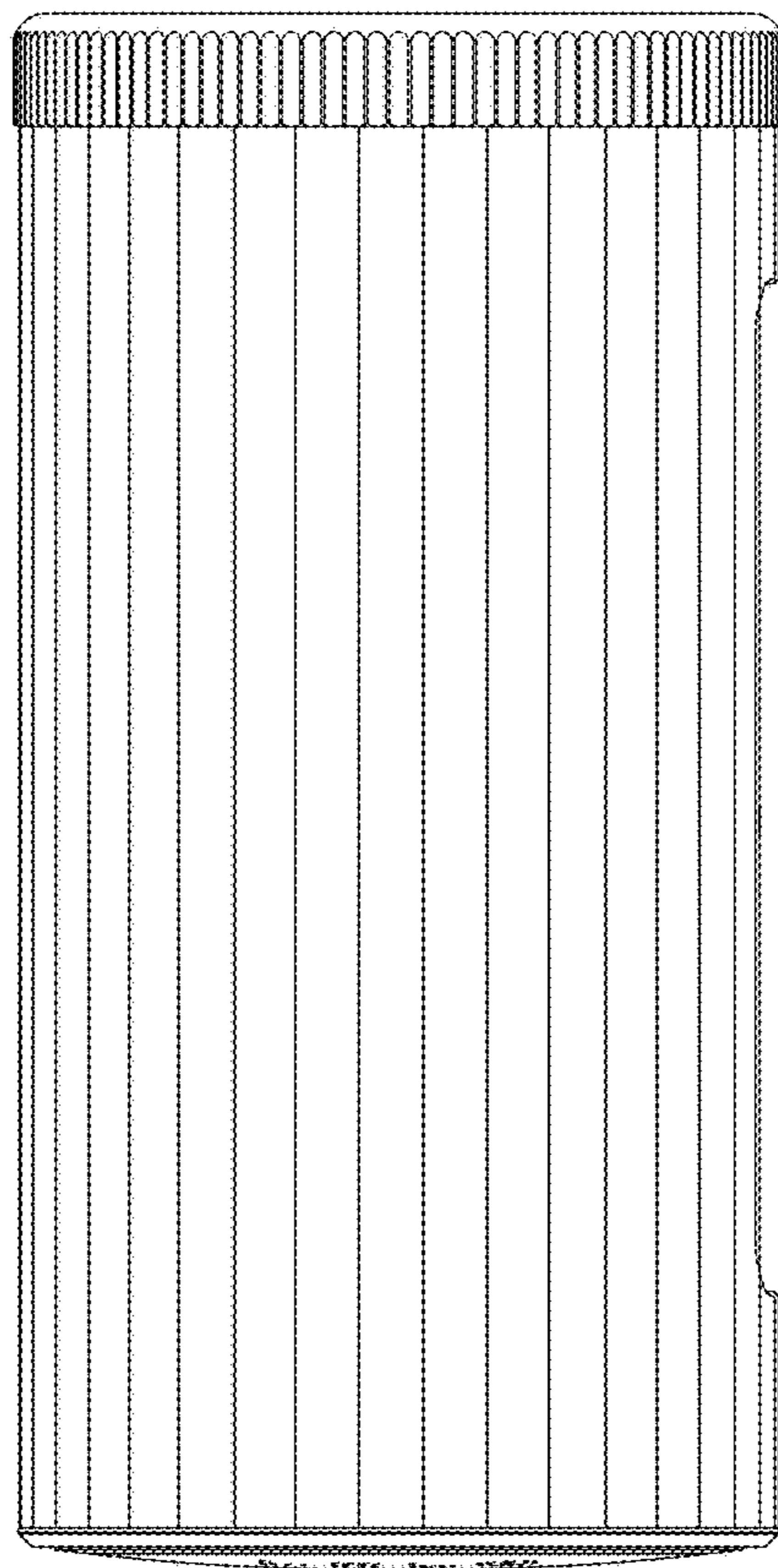


FIG. 5

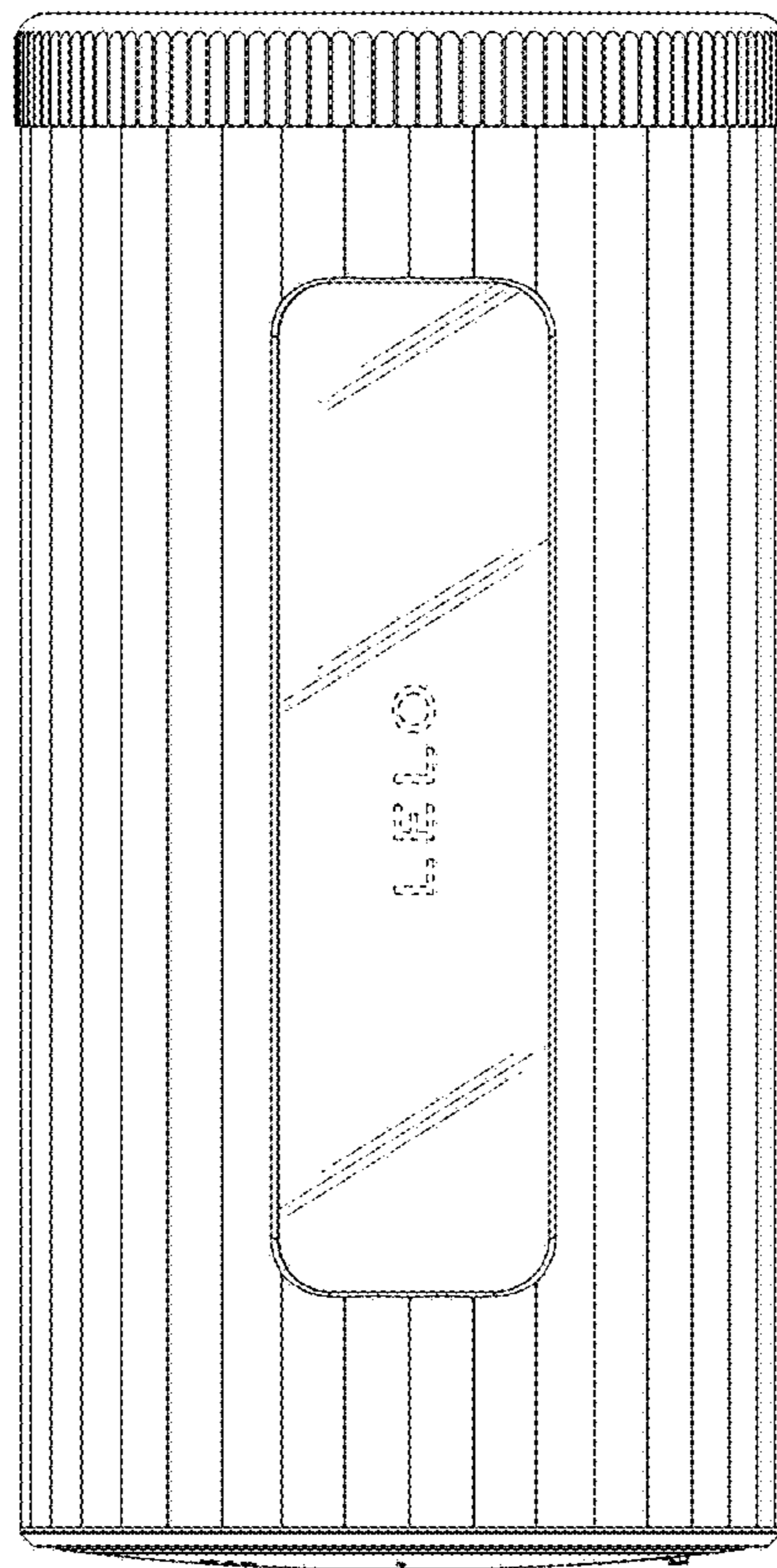


FIG. 6



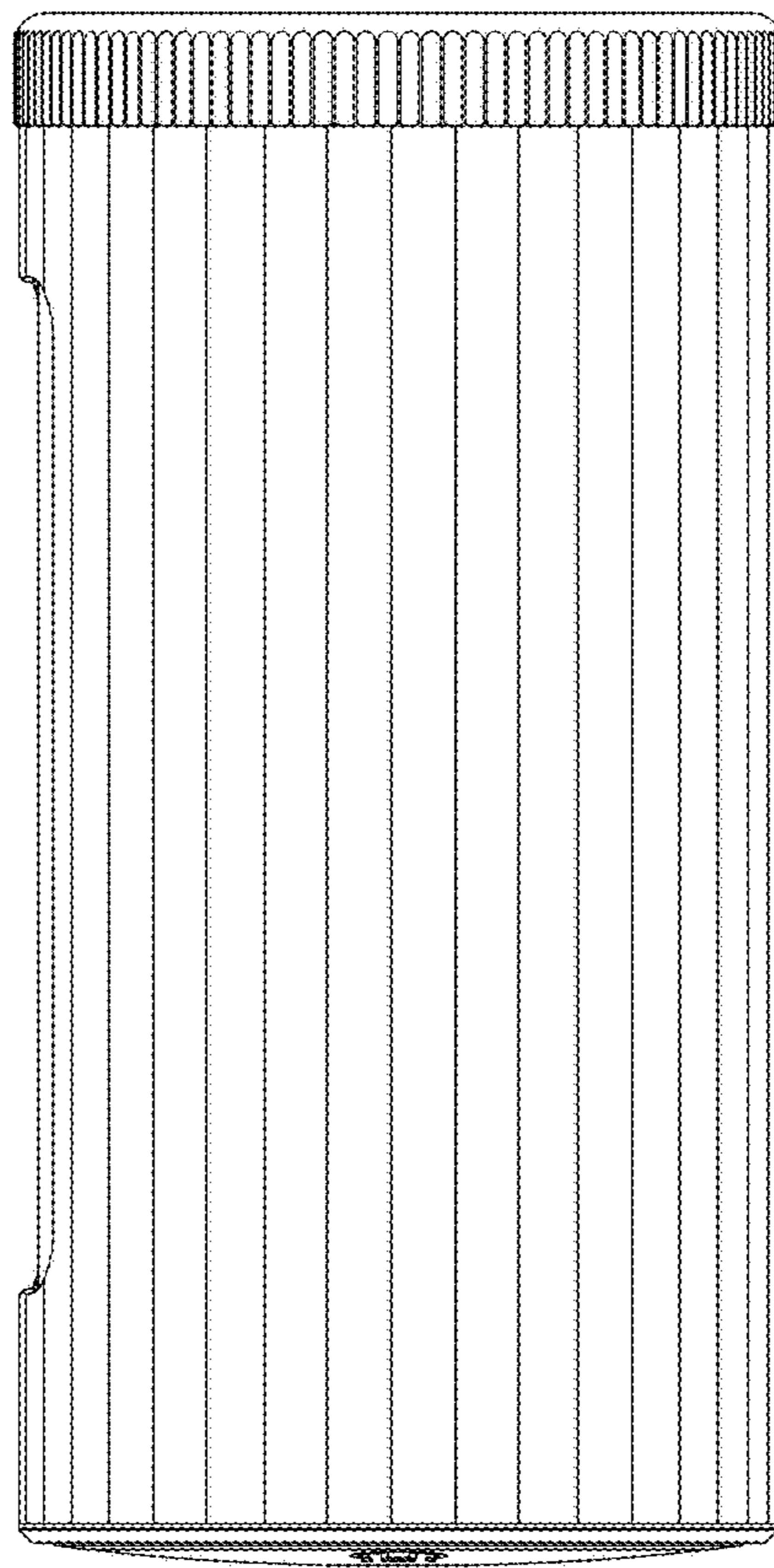


FIG. 7