



US00D880711S

(12) **United States Design Patent** (10) **Patent No.:** **US D880,711 S**
Xu (45) **Date of Patent:** **** Apr. 7, 2020**

(54) **FOOT MASSAGER**
(71) Applicant: **Yan Xu**, Shenzhen (CN)
(72) Inventor: **Yan Xu**, Shenzhen (CN)
(**) Term: **15 Years**
(21) Appl. No.: **29/699,685**
(22) Filed: **Jul. 29, 2019**

6,698,038 B2 * 3/2004 Bastia A61H 9/00
4/622
D504,178 S * 4/2005 Zolotnik D24/213
D518,182 S * 3/2006 Cafaro D24/201
D535,402 S * 1/2007 Lifeng D24/200
D535,751 S * 1/2007 Lifeng D24/200
D537,949 S * 3/2007 Lie D24/213
D541,944 S * 5/2007 Chang D24/213
D542,927 S * 5/2007 Harris D24/212
D569,004 S * 5/2008 Cafaro D24/213
D584,826 S * 1/2009 Ng D24/213
D625,021 S * 10/2010 Stoddard D24/212

(Continued)

(51) **LOC (12) Cl.** **28-03**
(52) **U.S. Cl.**
USPC **D24/213**

(58) **Field of Classification Search**
USPC 601/15, 18, 19, 46, 47, 48, 52, 99, 112,
601/113, 118, 125, 129, 134, 135, 137,
601/DIG. 12, DIG. 14, DIG. 15, DIG. 16,
601/DIG. 17; D24/133, 200, 211, 212,
D24/213, 214, 215; 4/622
CPC A61H 2205/12; A61H 15/0078; A61H
35/006; A61H 1/0266
See application file for complete search history.

OTHER PUBLICATIONS

Amazon, "RENPHO Foot Massager", Mar. 24, 2019. https://www.amazon.ca/RENPHO-Massager-Compression-Fasciitis-Circulation/dp/B07F2H1NQR/ref=cm_cr_ar_p_d_product_top?ie=UTF8. Shown on p. 1. (Year: 2019).*

(Continued)

Primary Examiner — Cynthia Ramirez
Assistant Examiner — Michael A Maharajh

(56) **References Cited**

U.S. PATENT DOCUMENTS

D363,555 S * 10/1995 Lie D24/213
D390,963 S * 2/1998 Scholpp D24/213
D405,535 S * 2/1999 Schulz D24/213
D436,180 S * 1/2001 Lie D24/213
D453,836 S * 2/2002 Gillette D24/213
D455,498 S * 4/2002 Gillette D24/213
6,385,795 B1 * 5/2002 Ferber A47K 3/022
4/622
6,505,358 B2 * 1/2003 Ferber A47K 3/022
4/622
D473,317 S * 4/2003 Lie D24/213
6,598,244 B1 * 7/2003 Yeh A61H 35/006
35/6
D478,670 S * 8/2003 Tsai D24/212
D487,514 S * 3/2004 Lie D24/213
D487,515 S * 3/2004 Lie D24/213

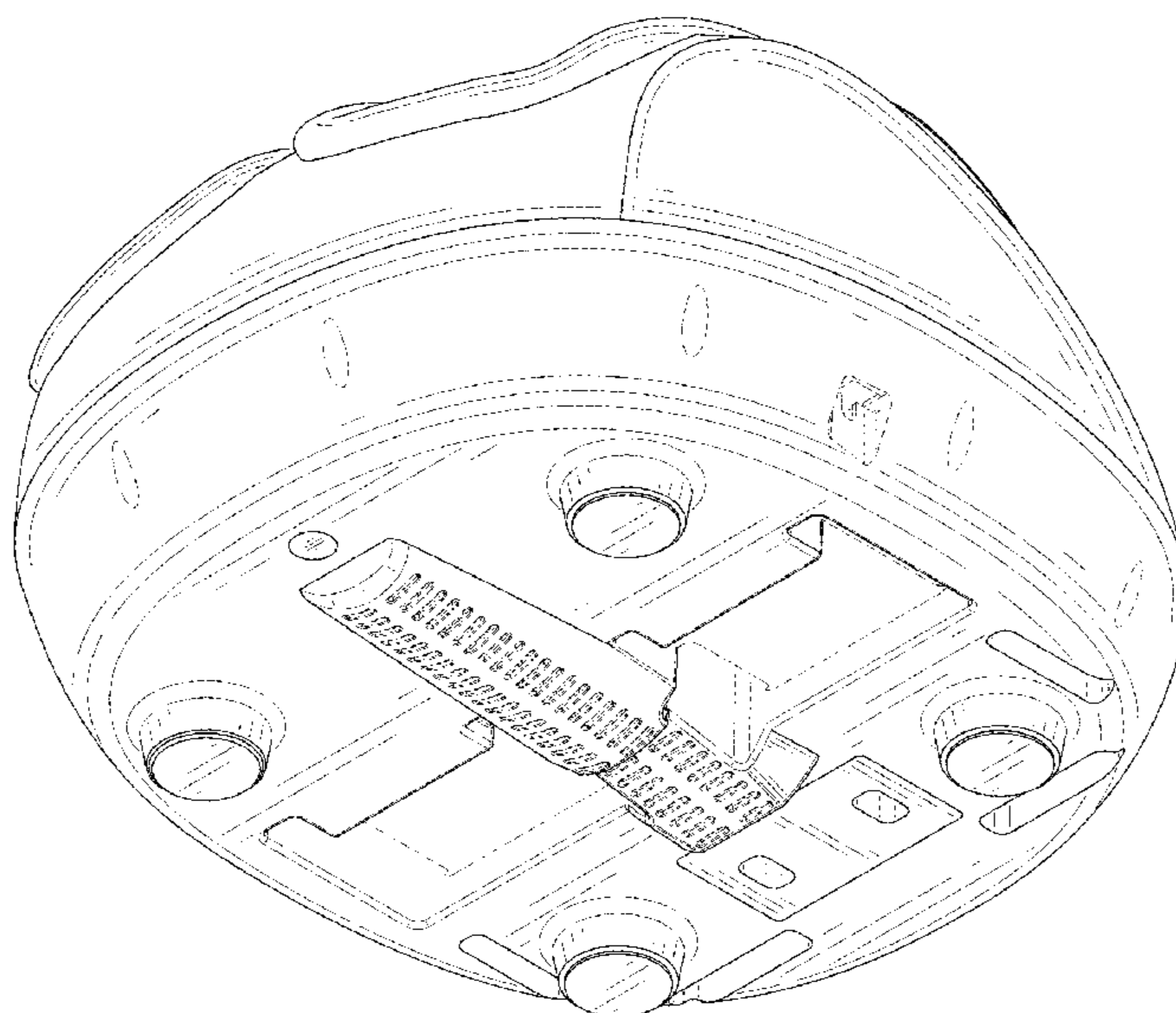
(57) **CLAIM**

The ornamental design for a foot massager, as shown and described.

DESCRIPTION

FIG. 1 is a perspective view of a foot massager showing my new design;
FIG. 2 is another perspective view thereof;
FIG. 3 is a front elevational view thereof;
FIG. 4 is a rear elevational view thereof;
FIG. 5 is a left side elevational view thereof;
FIG. 6 is a right side elevational view thereof;
FIG. 7 is a top plan view thereof; and,
FIG. 8 is a bottom plan view thereof.
The broken lines in the drawings depict portions of the foot massager that form no part of the claimed design.

1 Claim, 8 Drawing Sheets



(56)

References Cited

U.S. PATENT DOCUMENTS

D643,127 S * 8/2011 Lim D24/213
 D648,859 S * 11/2011 Ng D24/212
 D652,940 S * 1/2012 Byle D24/215
 D701,612 S * 3/2014 Robinson D24/213
 D717,962 S * 11/2014 Chen D24/213
 D846,752 S * 4/2019 Zhou D24/213
 2003/0126679 A1 * 7/2003 Leung A47K 3/022
 4/622
 2003/0220593 A1 * 11/2003 Morton A61H 35/006
 601/15
 2005/0257318 A1 * 11/2005 Perkins A47K 3/022
 4/622
 2006/0059618 A1 * 3/2006 Chung A61H 35/006
 4/622
 2006/0185073 A1 * 8/2006 Fung A47K 3/022
 4/622
 2006/0207016 A1 * 9/2006 Lev A61H 15/0078
 4/622
 2006/0207017 A1 * 9/2006 Lev A61H 33/027
 4/622
 2006/0207018 A1 * 9/2006 Lev A61H 33/02
 4/622
 2007/0143918 A1 * 6/2007 Cafaro A47K 3/022
 4/622
 2007/0267020 A1 * 11/2007 Harris A61H 23/00
 128/205.24
 2007/0299372 A1 * 12/2007 Chang A61H 1/0266
 601/28

2008/0184481 A1 * 8/2008 Patterson A61H 35/006
 4/622
 2010/0069800 A1 * 3/2010 Hsu A61H 15/02
 601/112
 2010/0081973 A1 * 4/2010 Tsai A61H 15/0078
 601/134
 2010/0280426 A1 * 11/2010 Tsai A61H 15/0078
 601/99
 2012/0095375 A1 * 4/2012 Ishiguro A61H 7/004
 601/112
 2014/0276277 A1 * 9/2014 Chen A61H 7/004
 601/112
 2015/0057584 A1 * 2/2015 Chen A61H 39/04
 601/99
 2017/0258675 A1 * 9/2017 Zou A61H 15/00

OTHER PUBLICATIONS

“Heartline Deluxe Shiatsu Foot Massager Machine Electric Mas-
 sage Deep Kneading with Heat Rolling and Air Compression for
 Home Office & Remote Control”, Retrieved Jul. 24, 2019]. Retrieved
 from Internet, [https://www.amazon.co.uk/Heartline-Massager-Electric-
 Kneading-Compression/dp/B07656X87R/](https://www.amazon.co.uk/Heartline-Massager-Electric-Kneading-Compression/dp/B07656X87R/).
 “MM Pedicure Machine Foot Massager Foot Sole Full Package
 Foot Treatment Instrument Foot Heating Massage Foot Beauty Foot
 Treasure [Energy Class A]”, Retrieved Jul. 24, 2019]. Retrieved
 from Internet, [https://www.amazon.co.uk/MM-Pedicure-Massager-
 Treatment-Instrument/dp/B07FY9M6ZD/](https://www.amazon.co.uk/MM-Pedicure-Massager-Treatment-Instrument/dp/B07FY9M6ZD/).

* cited by examiner

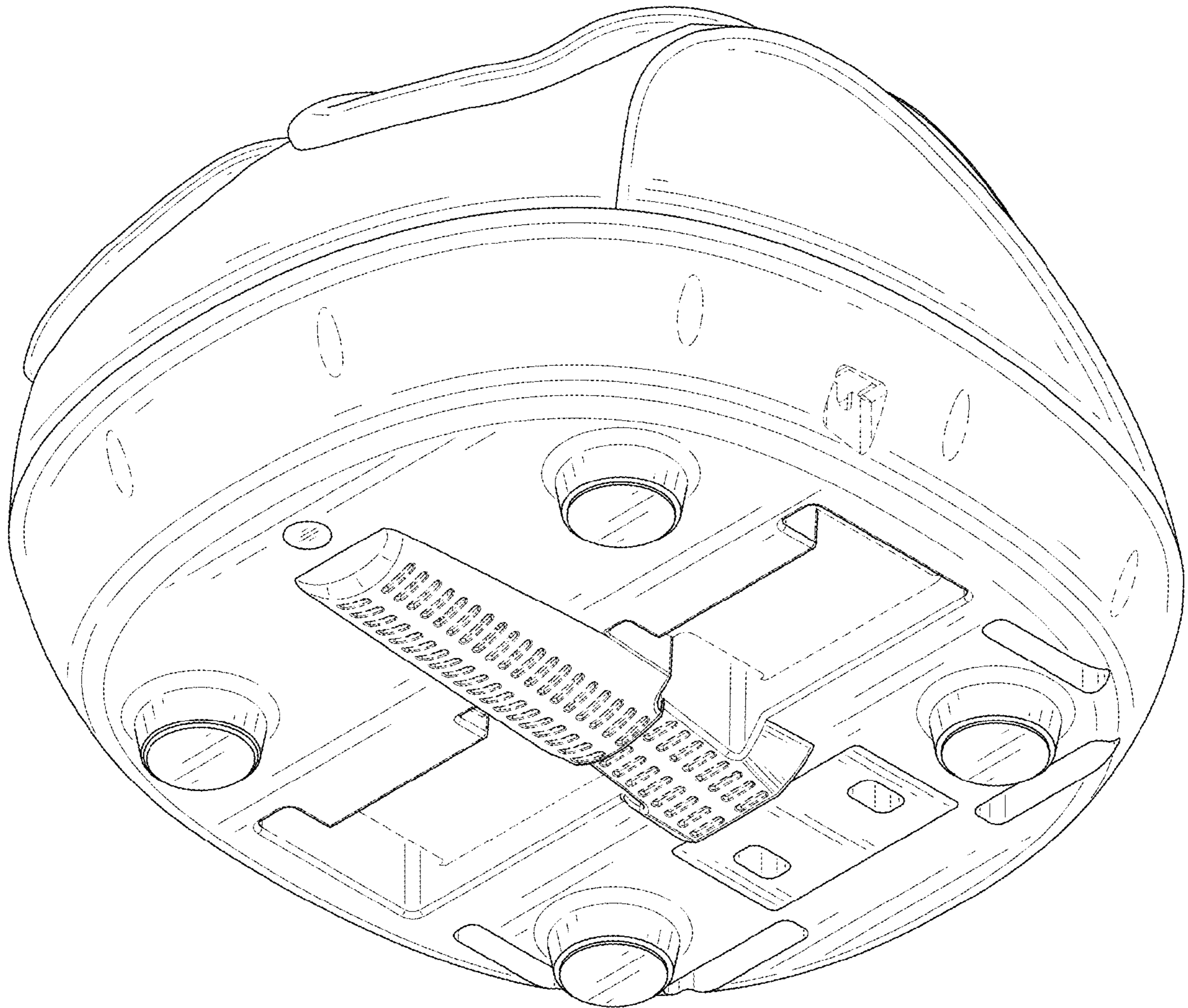


FIG. 1

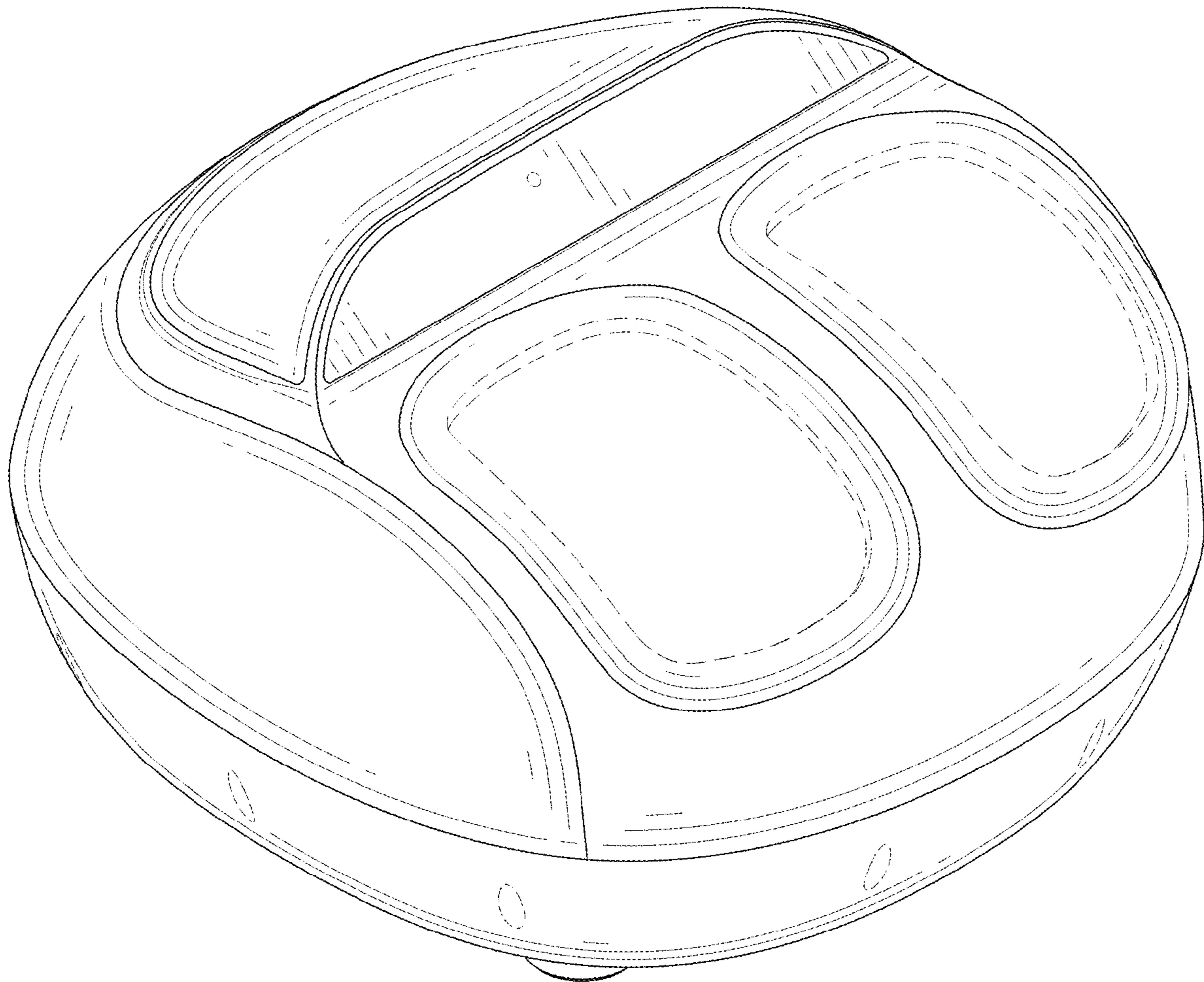


FIG. 2

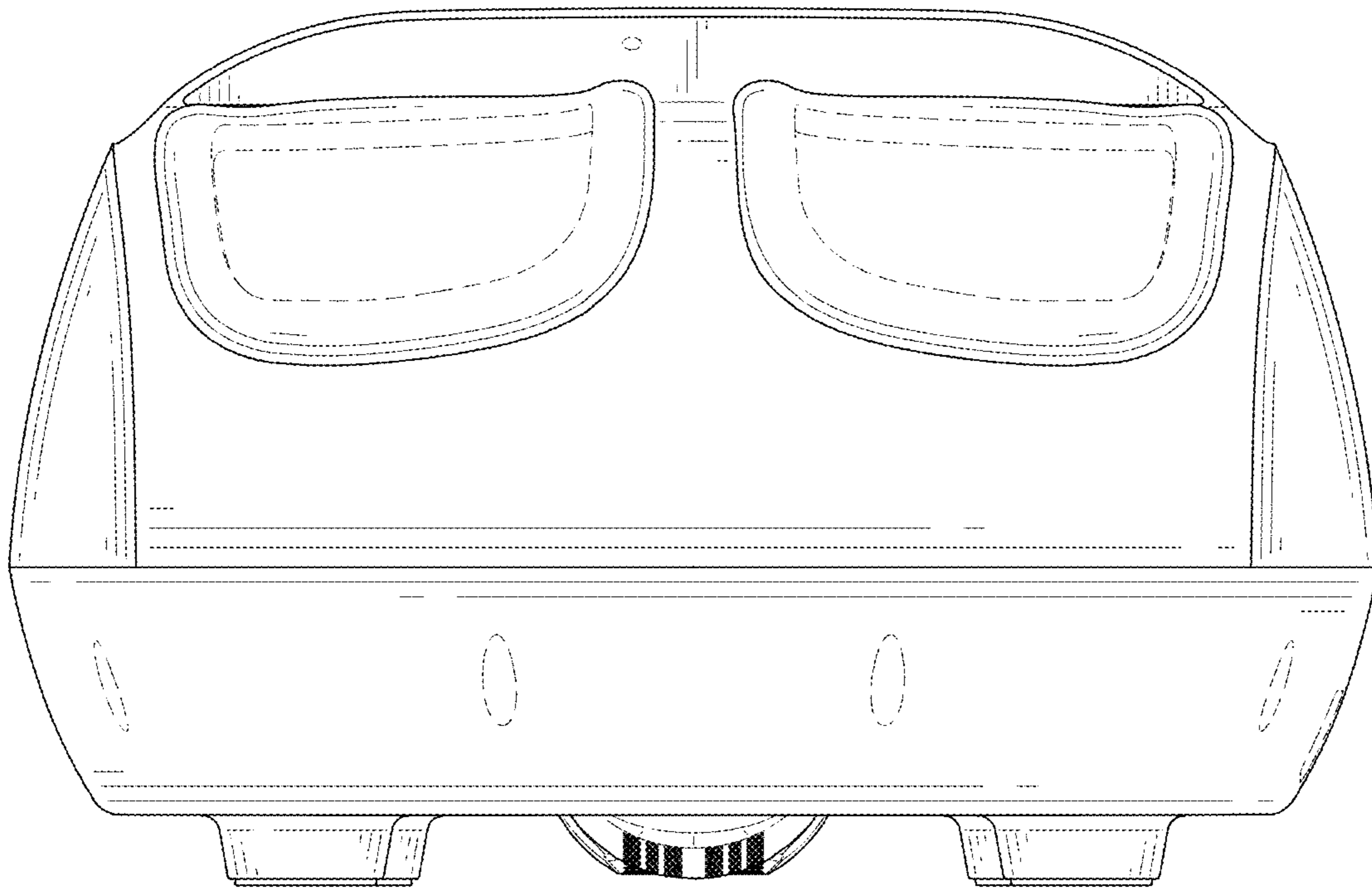


FIG. 3

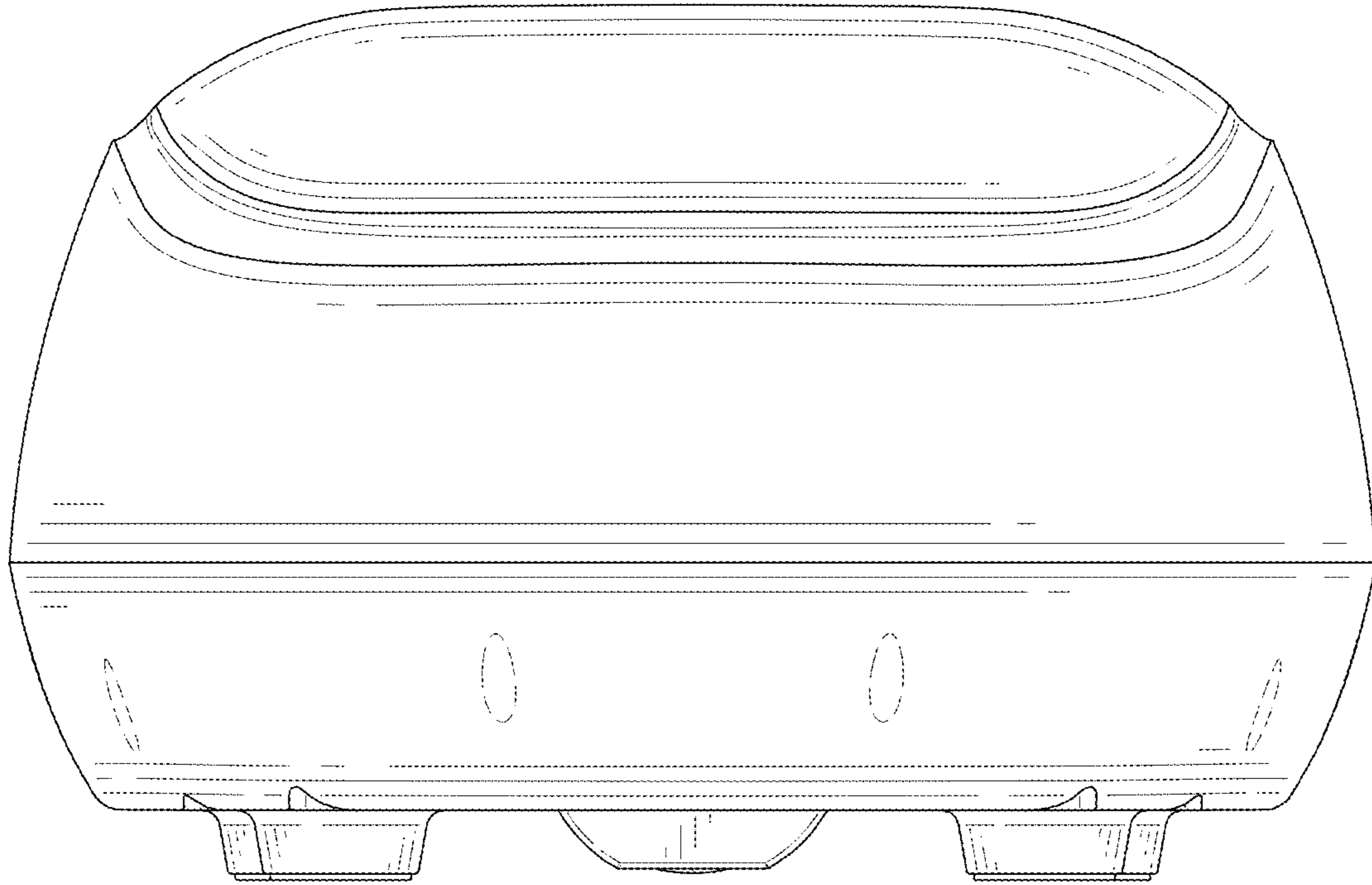


FIG. 4

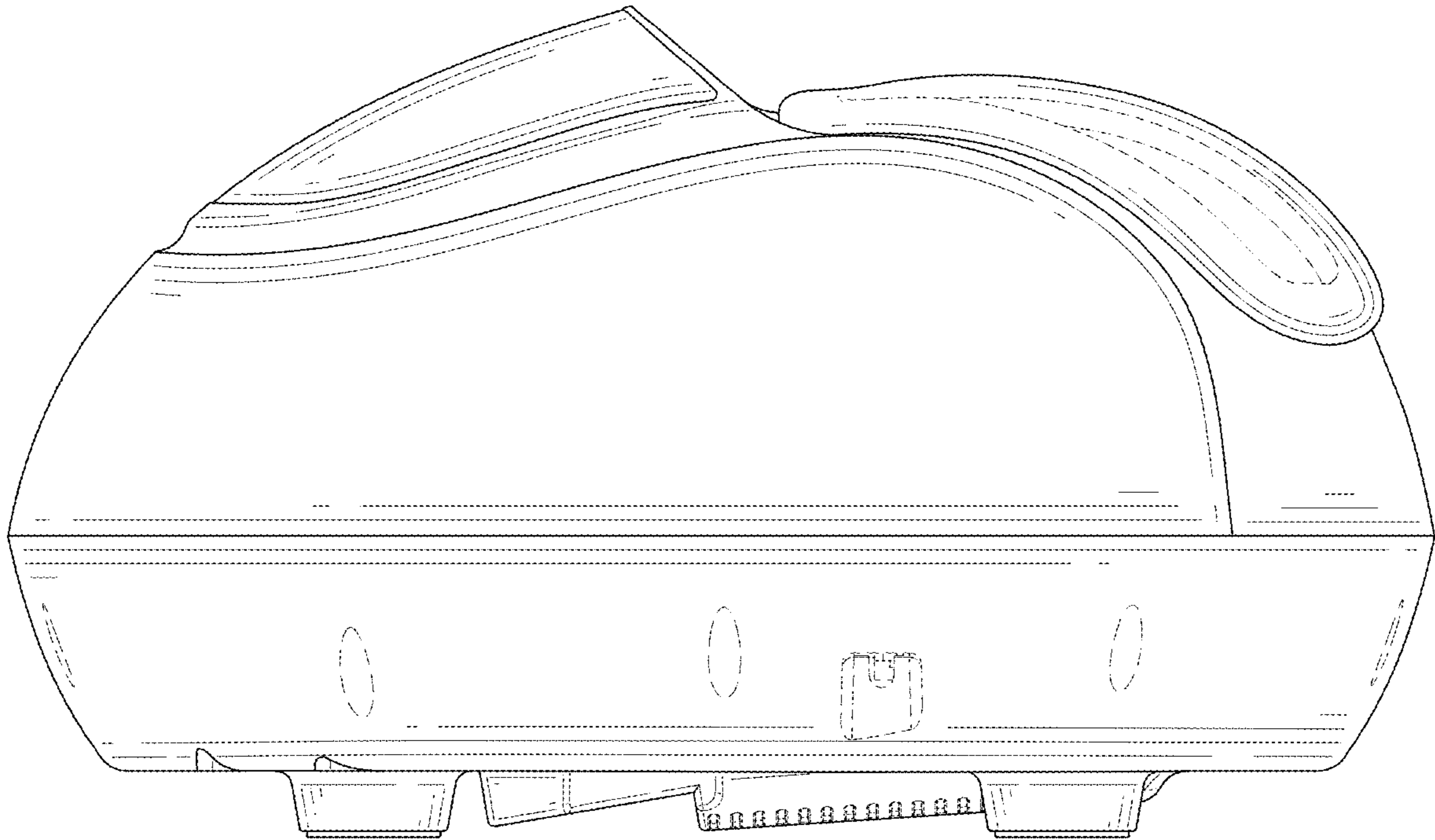


FIG. 5

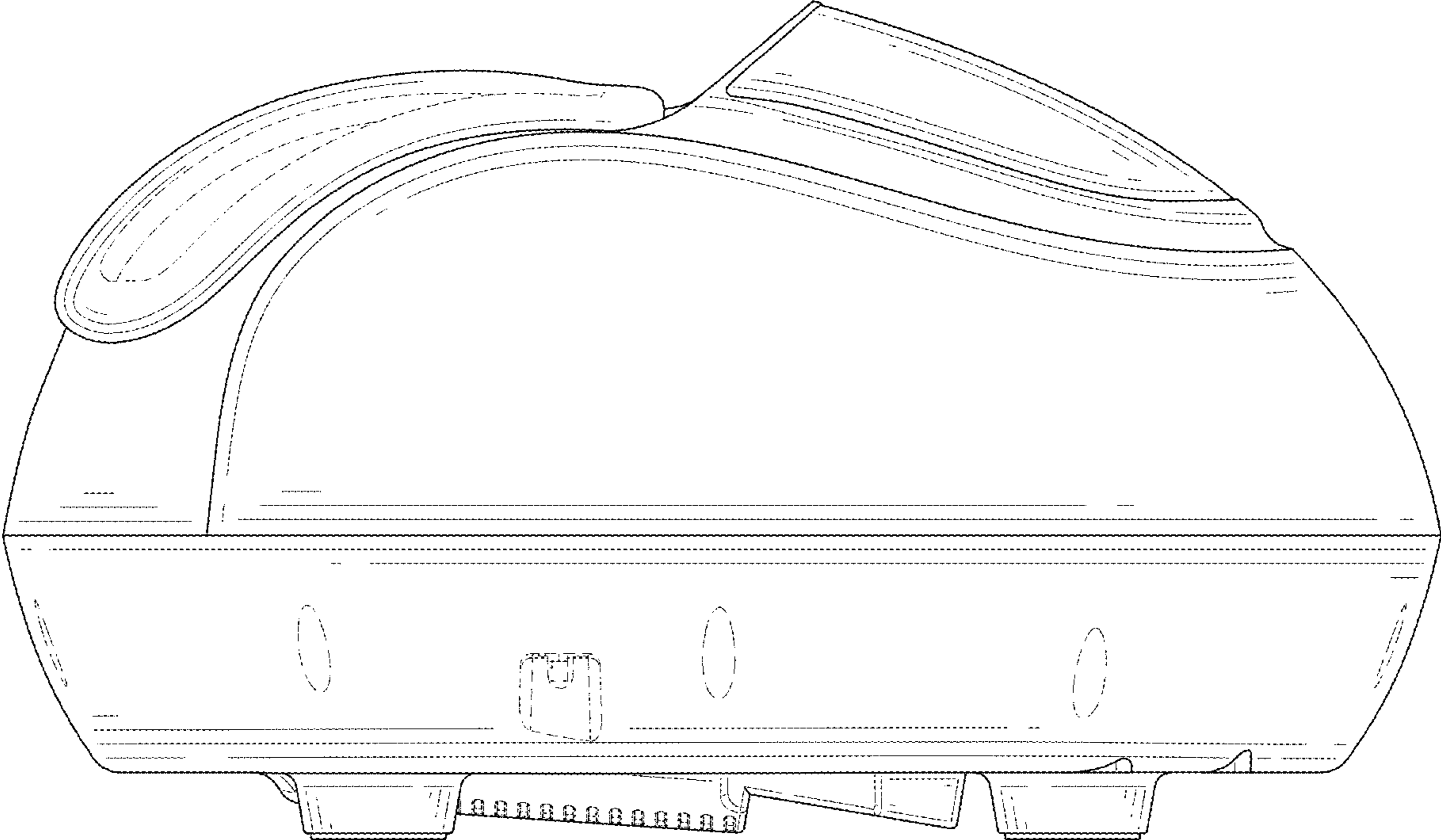


FIG. 6

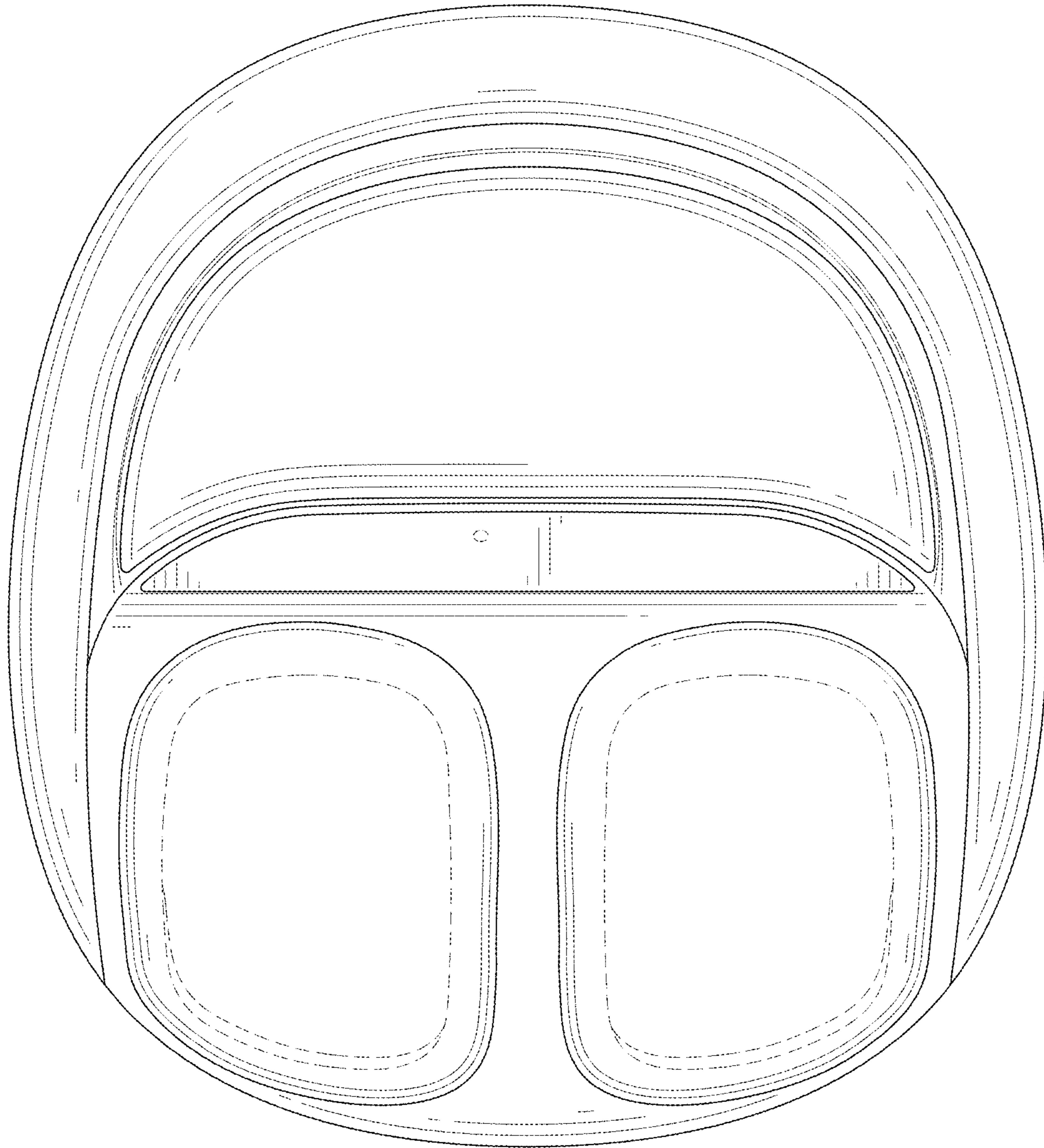


FIG. 7

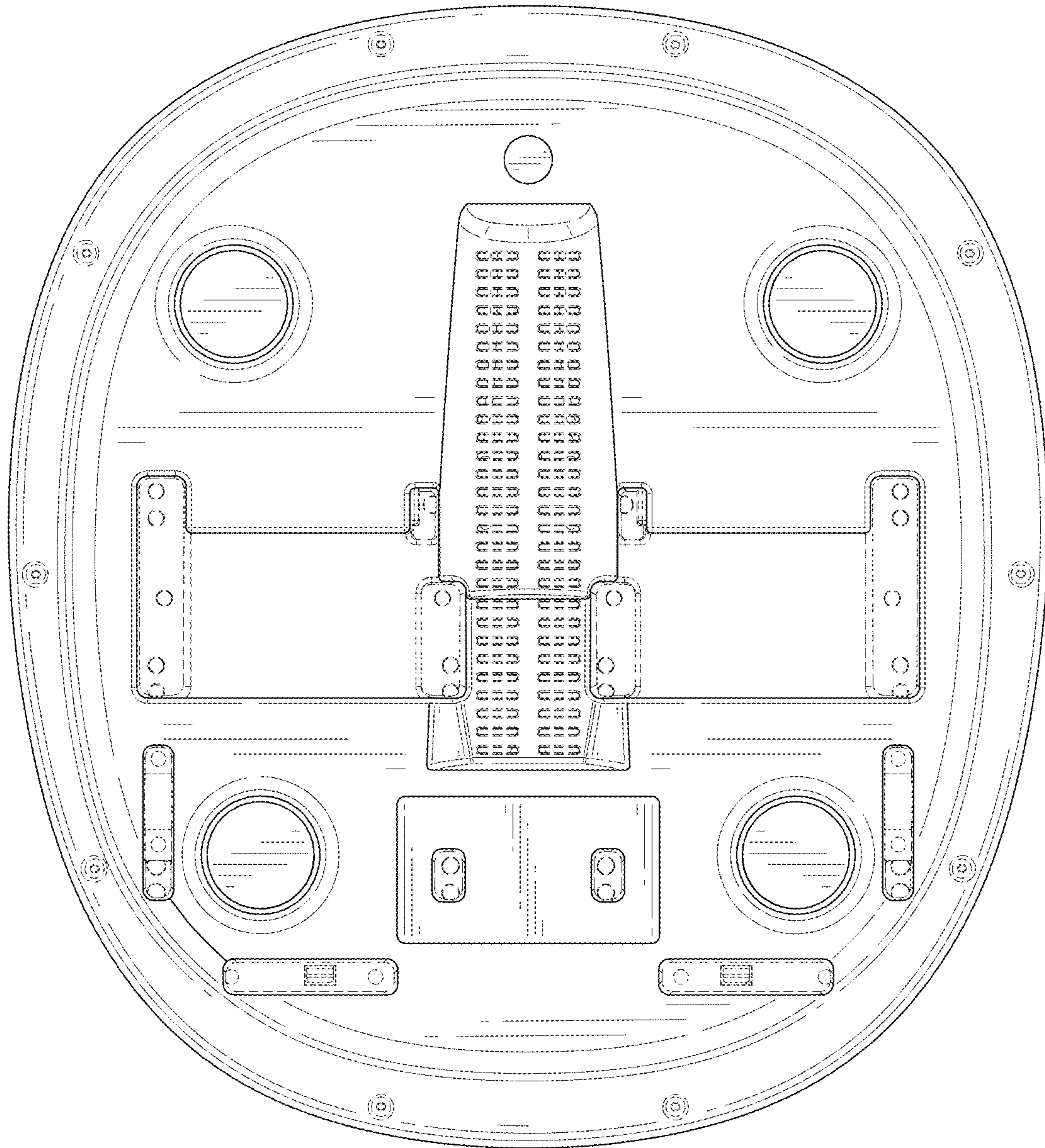


FIG. 8