



US00D880710S

(12) **United States Design Patent** (10) **Patent No.:** **US D880,710 S**
Amoyal (45) **Date of Patent:** **** Apr. 7, 2020**

(54) **LED SONIC SKIN THERAPY DEVICE**

(71) Applicant: **Shai Amoyal**, Delray Beach, FL (US)

(72) Inventor: **Shai Amoyal**, Delray Beach, FL (US)

(**) Term: **15 Years**

(21) Appl. No.: **29/684,199**

(22) Filed: **Mar. 19, 2019**

(51) **LOC (12) Cl.** **28-03**

(52) **U.S. Cl.**
USPC **D24/209**

(58) **Field of Classification Search**

USPC D24/107, 186, 200, 209, 210, 231;
D28/9, 44.1

CPC A61N 5/062; A61N 5/0616; A61N 5/0618;
A61N 2005/0629; A61N 2005/0636;
A61N 2005/064; A61N 2005/0643; A61N
2005/0644; A61N 2005/0659; A61N
2005/0662; A61N 2005/0663; A61N
2005/005; A61N 2005/067; A61B
2018/00452; A61B 2018/1807; A61B
2018/00023; A61B 2018/202; A61B
2018/2023

See application file for complete search history.

(56) **References Cited**

U.S. PATENT DOCUMENTS

D618,816 S * 6/2010 Kubicki D24/209
D726,926 S * 4/2015 Matsushita D24/200

D758,600 S * 6/2016 Matsushita D24/200
D759,256 S * 6/2016 Chen D24/200
D780,933 S * 3/2017 Uchida D24/200
D791,960 S * 7/2017 Guanying D24/209
D794,854 S * 8/2017 Zepter D24/200
D797,302 S * 9/2017 Vahlensieck D24/209
D862,717 S * 10/2019 Khubani D24/200
2012/0197357 A1* 8/2012 Dewey A61B 18/203
607/89

* cited by examiner

Primary Examiner — Anhdao Doan

(74) *Attorney, Agent, or Firm* — Malin Haley DiMaggio
& Bowen, P.A.

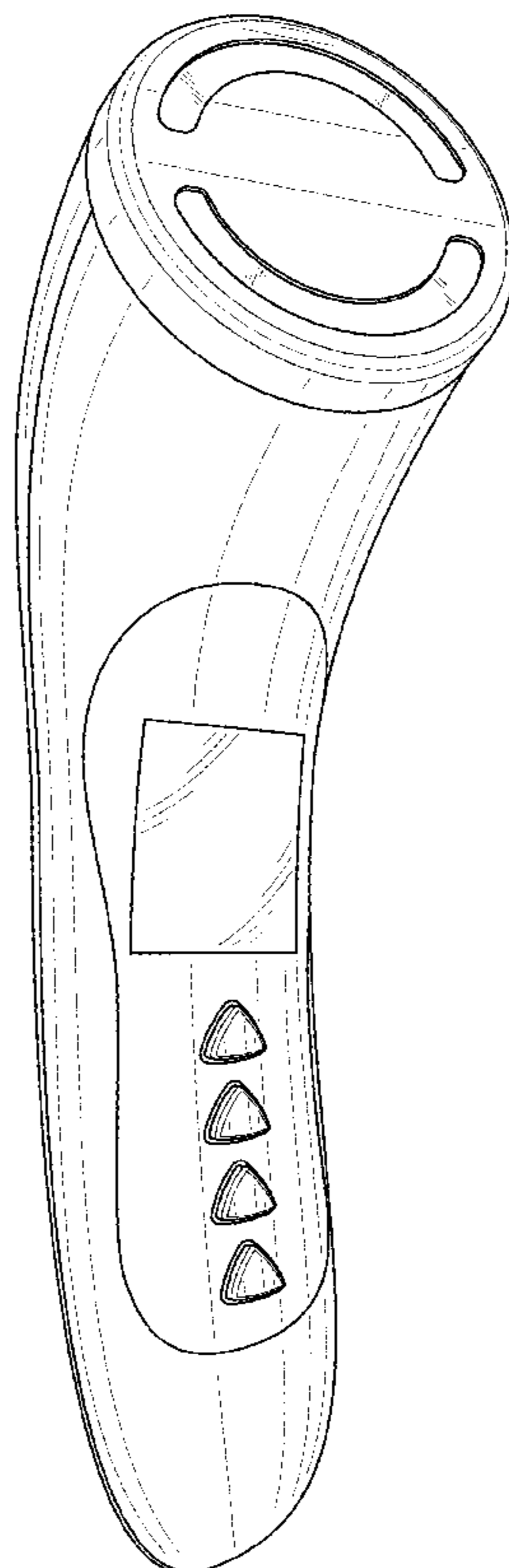
(57) **CLAIM**

The ornamental design for a LED sonic skin therapy device, as shown and described.

DESCRIPTION

FIG. 1 is a perspective view of a LED sonic skin therapy device showing my new design;
FIG. 2 is a front elevational view thereof;
FIG. 3 is a rear elevational view thereof;
FIG. 4 is a left side elevational view thereof;
FIG. 5 is a right side elevational view thereof;
FIG. 6 is a top plan view thereof; and,
FIG. 7 is a bottom plan view thereof.

1 Claim, 6 Drawing Sheets



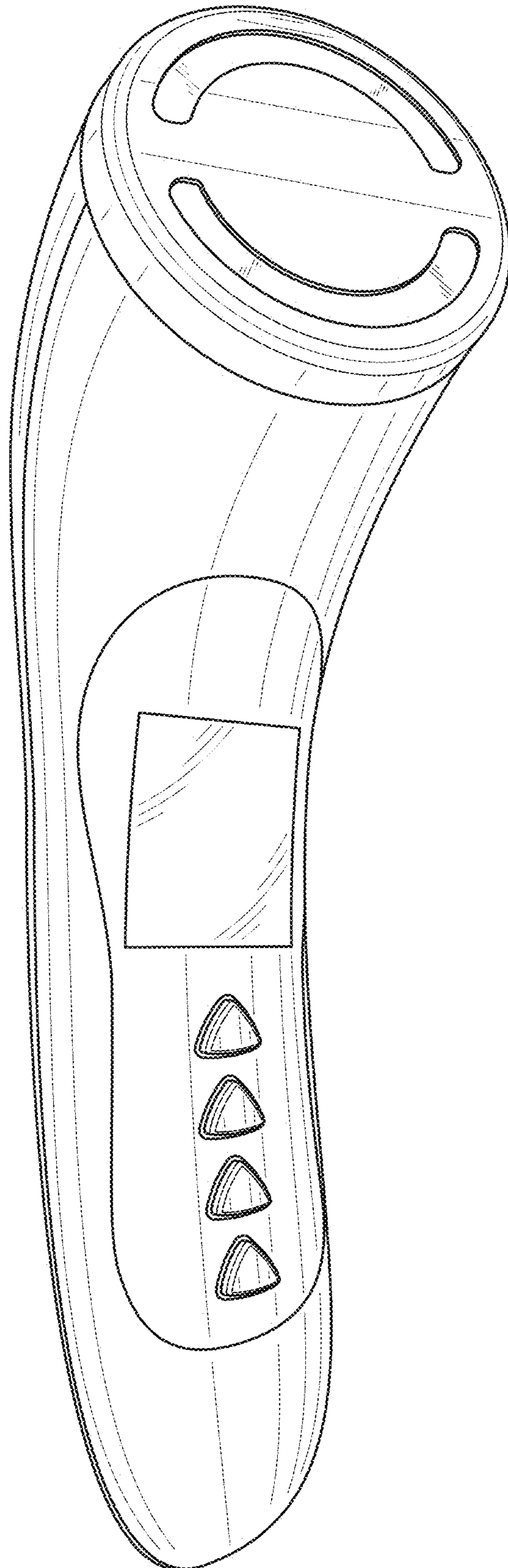


FIG. 1

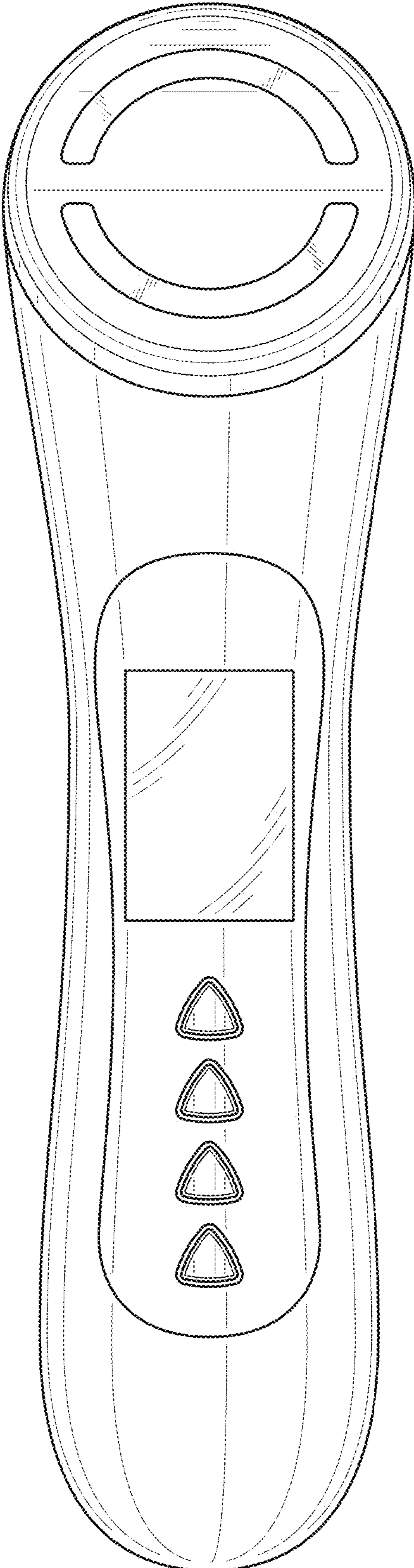


FIG. 2

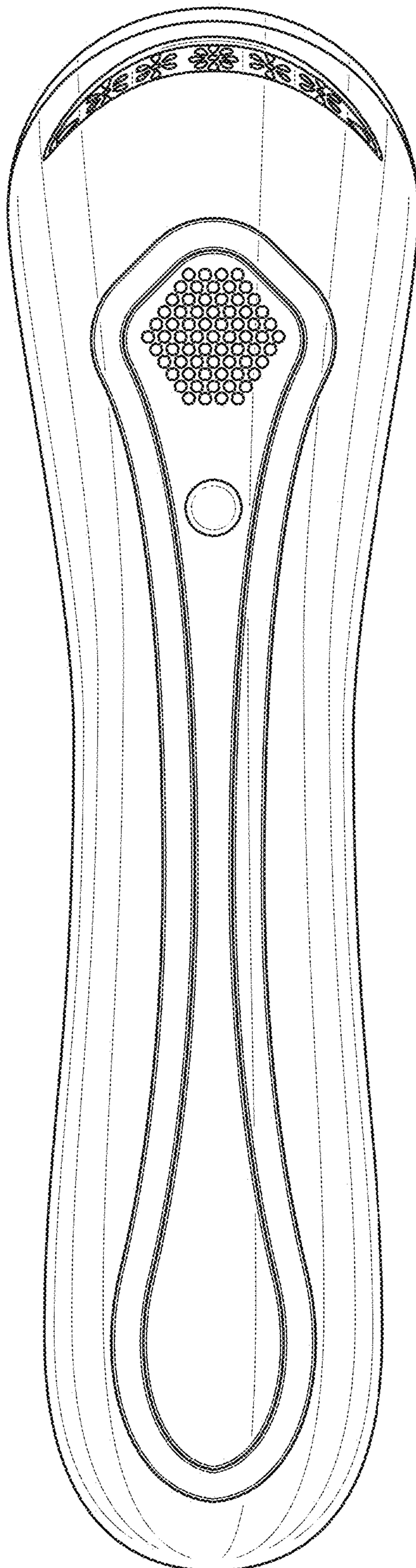


FIG. 3

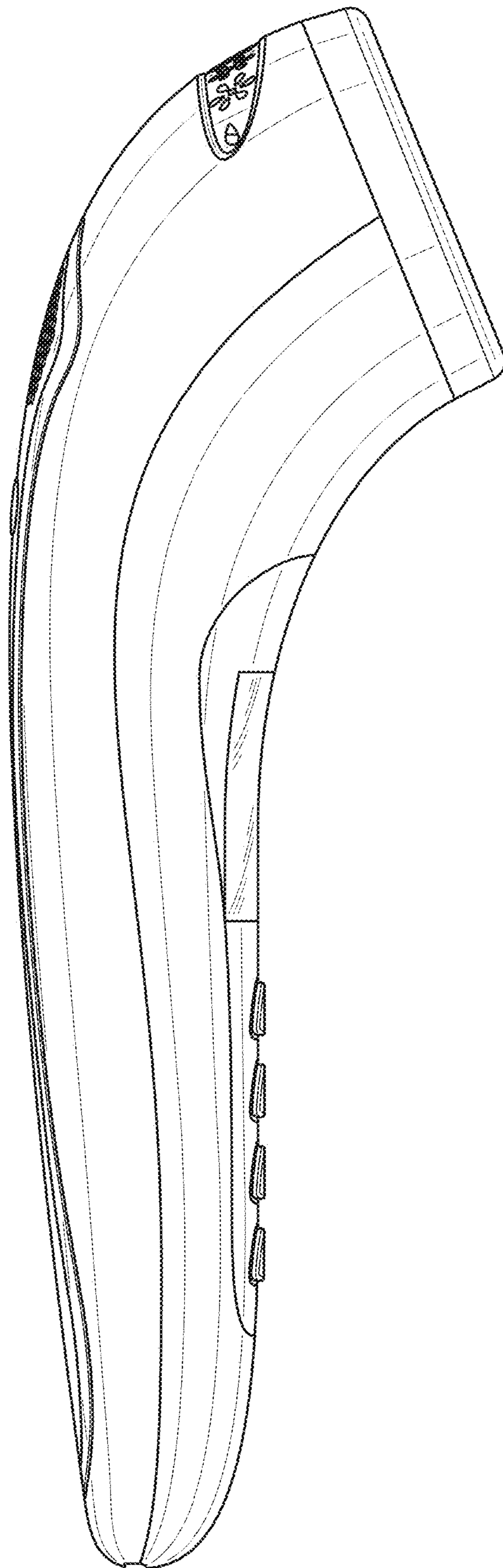


FIG. 4

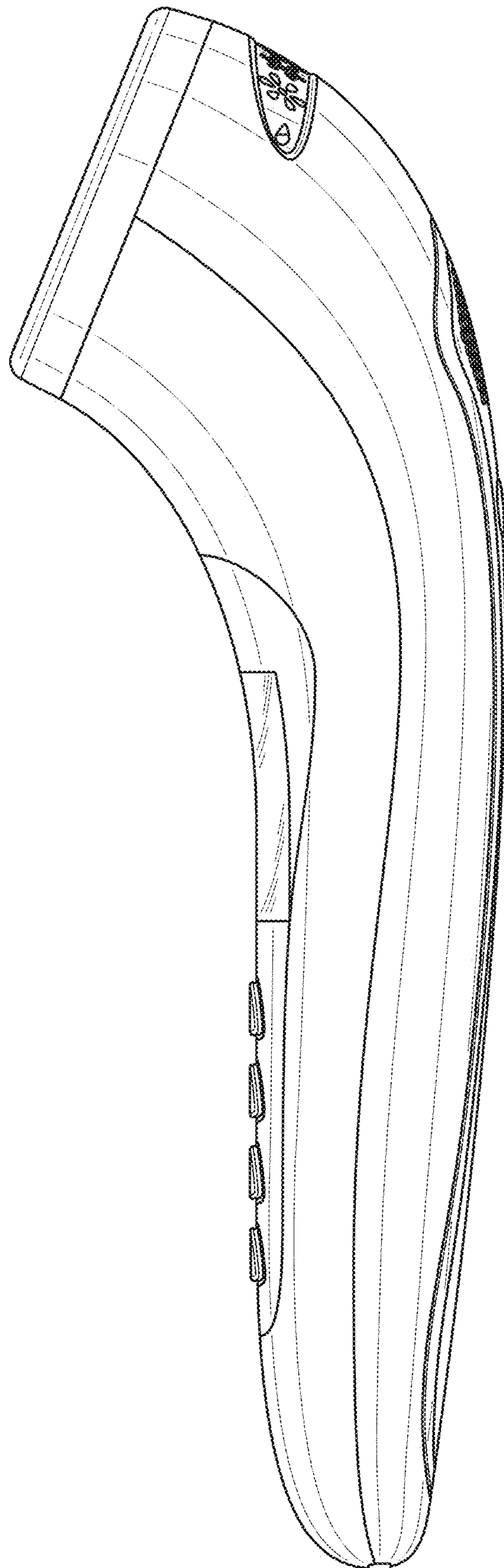


FIG. 5

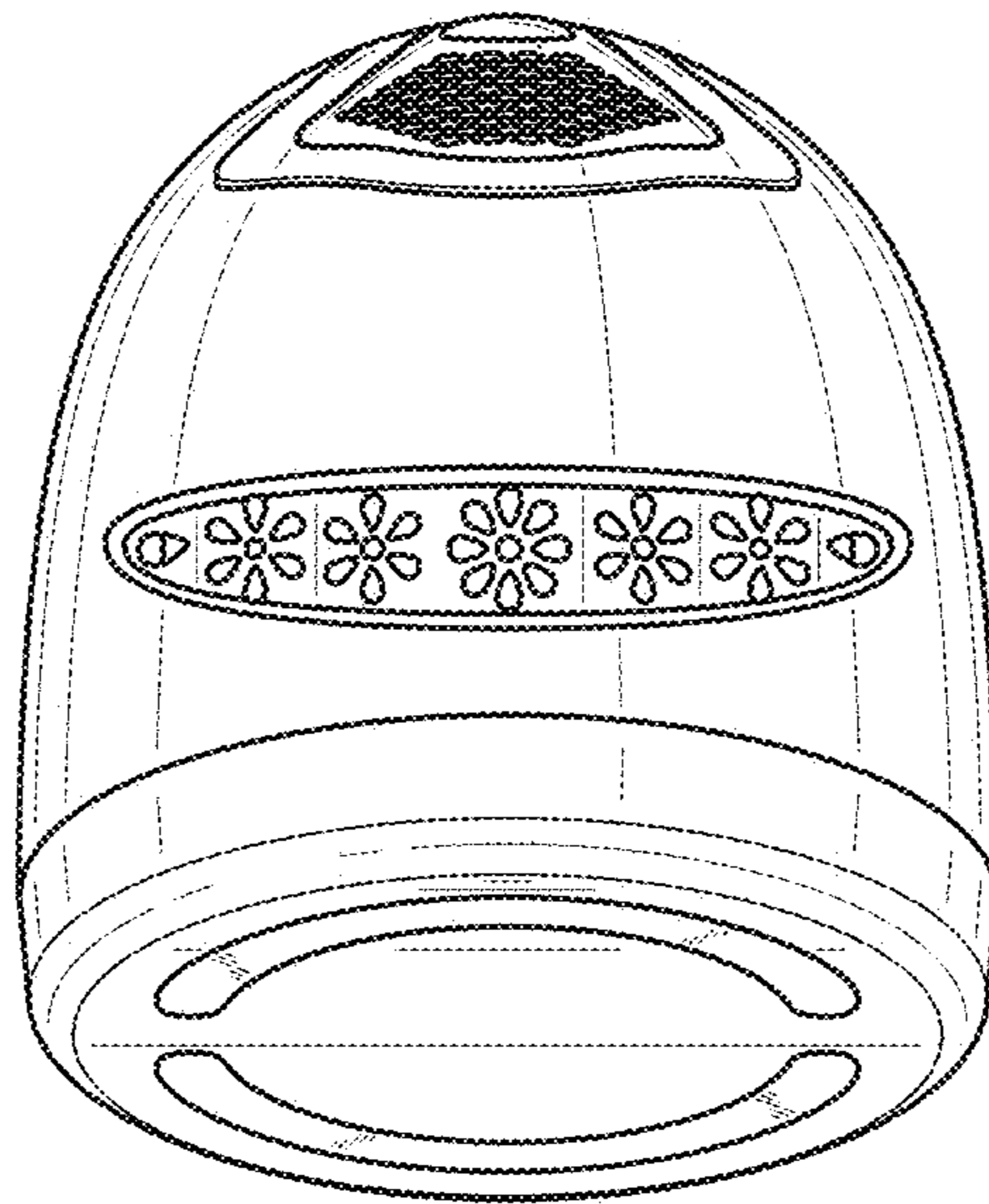


FIG. 6

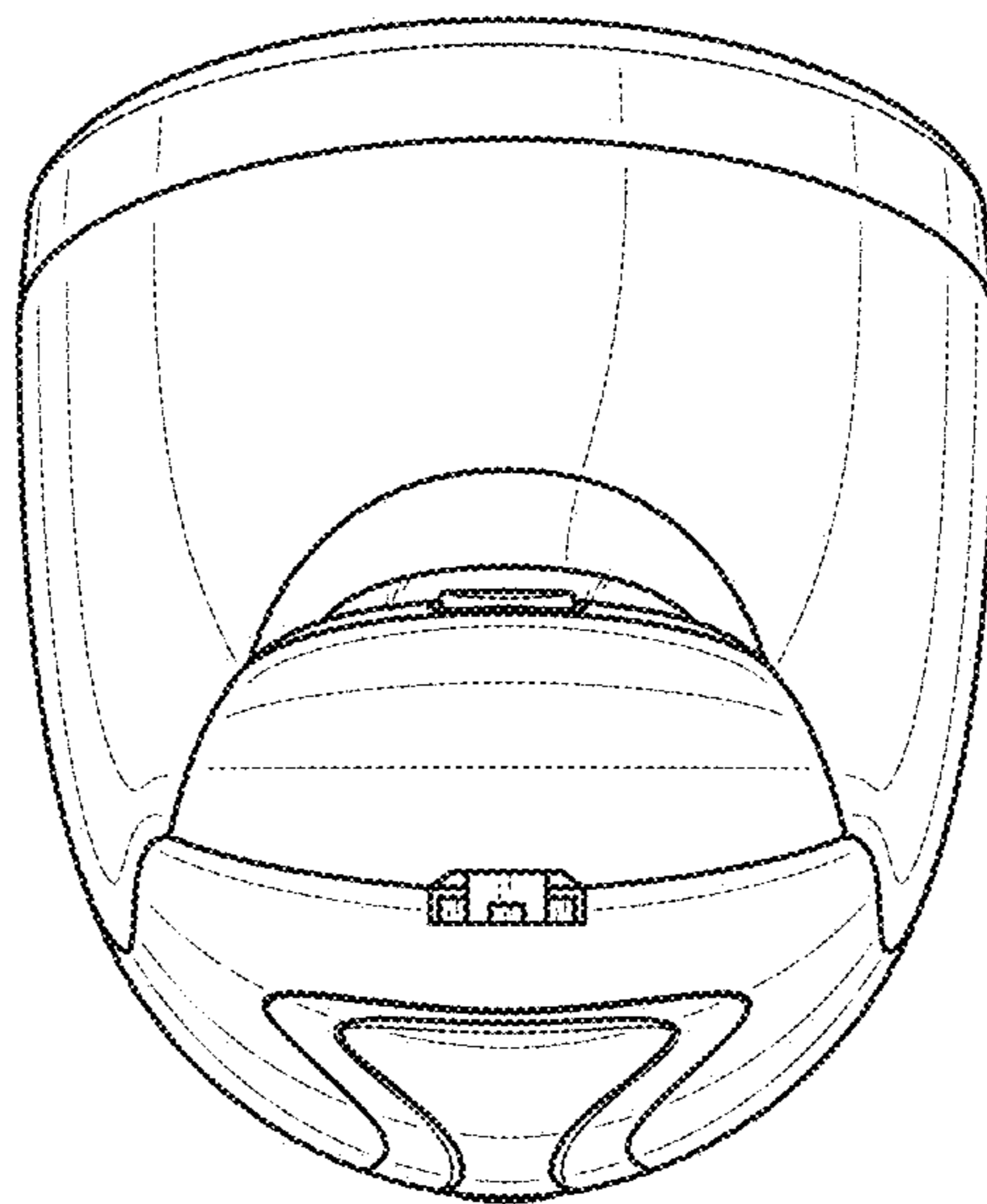


FIG. 7