



US00D880709S

(12) **United States Design Patent**  
**Levi**

(10) **Patent No.:** **US D880,709 S**  
(45) **Date of Patent:** **\*\* Apr. 7, 2020**

(54) **FACE DEVICE FOR SKIN TONING**

(71) Applicant: **Guy Levi**, Fort Lauderdale, FL (US)

(72) Inventor: **Guy Levi**, Fort Lauderdale, FL (US)

(\*\*) Term: **15 Years**

(21) Appl. No.: **29/677,695**

(22) Filed: **Jan. 23, 2019**

(51) **LOC (12) Cl.** ..... **28-03**

(52) **U.S. Cl.**

USPC ..... **D24/209**; D24/200; D24/214

(58) **Field of Classification Search**

USPC ..... D24/107, 186, 200, 214, 209, 210, 231;  
D28/9, 44.1

CPC .... A61N 5/062; A61N 5/0616; A61N 5/0618;  
A61N 2005/0629; A61N 2005/0636;  
A61N 2005/064; A61N 2005/0643; A61N  
2005/0644; A61N 2005/0659; A61N  
2005/0662; A61N 2005/0663; A61N  
2005/005; A61N 2005/067; A61B  
2018/00452; A61B 2018/1807; A61B  
2018/00023; A61B 2018/202; A61B  
2018/2023

See application file for complete search history.

(56) **References Cited**

**U.S. PATENT DOCUMENTS**

D652,920 S \* 1/2012 Sherwood ..... D24/133  
D782,685 S \* 3/2017 Pippel ..... D24/186

9,744,315 B1 \* 8/2017 Levi ..... A61M 11/005  
D824,529 S \* 7/2018 Tenenbaum ..... D24/214  
D828,925 S \* 9/2018 Levi ..... D24/214  
D850,003 S \* 5/2019 Chen ..... D24/209  
D855,196 S \* 7/2019 Kymm ..... D24/209  
D861,901 S \* 10/2019 Matsushita ..... D24/200

**OTHER PUBLICATIONS**

3-in-1 Facial Toner Device—Lumina Review. Retrived on Feb. 4,  
2020. <https://www.beautyise.com/facial-toner-device/>.\*

\* cited by examiner

*Primary Examiner* — Anhdao Doan

(74) *Attorney, Agent, or Firm* — David W. Barman

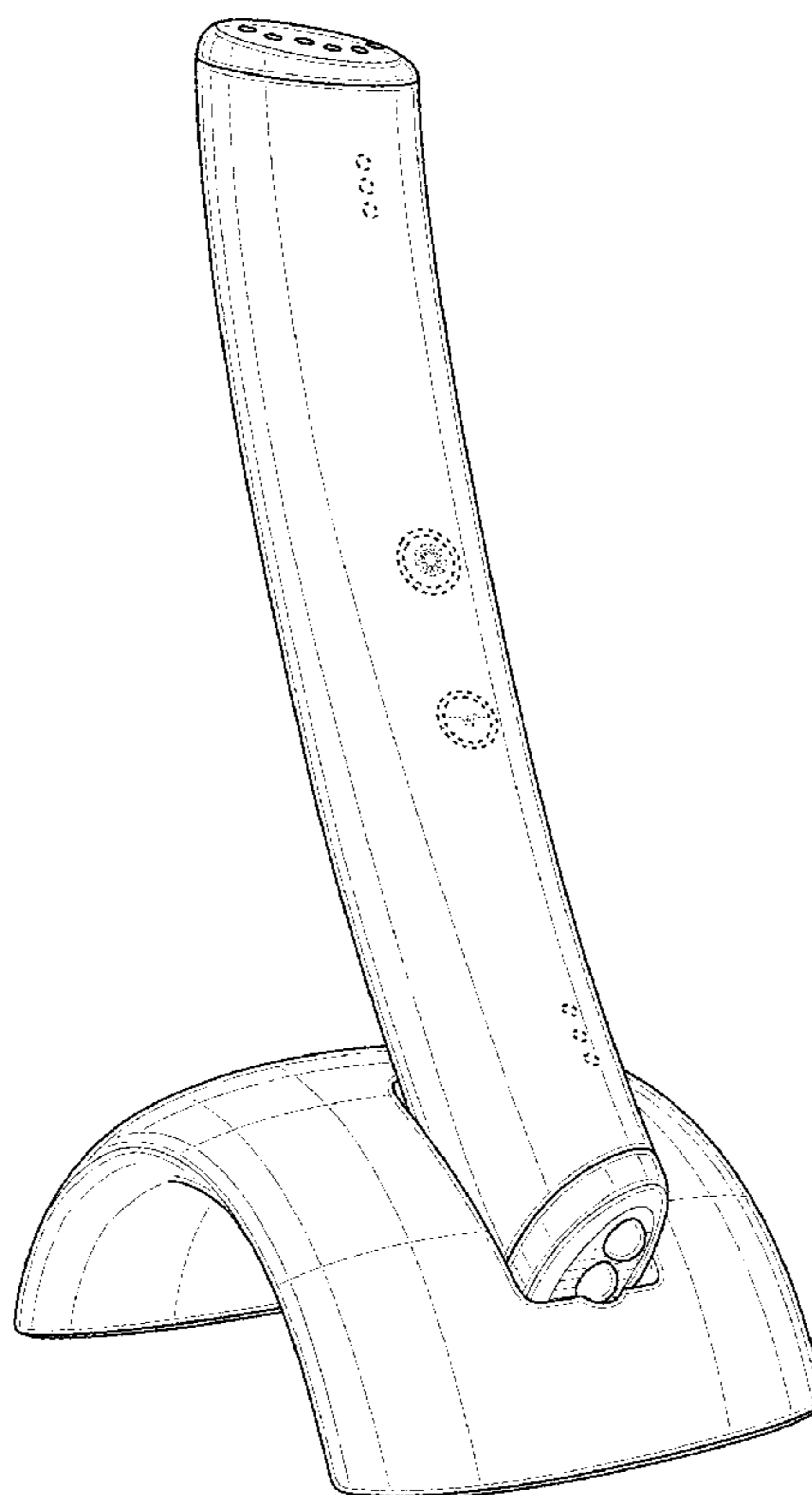
(57) **CLAIM**

The ornamental design for a face device for skin toning, as  
shown and described.

**DESCRIPTION**

FIG. 1 is a front perspective of the present invention.  
FIG. 2 is front view of the present invention.  
FIG. 3 is a back view of the present invention.  
FIG. 4 is a right side view of the present invention.  
FIG. 5 is a left side view of the present invention.  
FIG. 6 is a top view of the present invention; and,  
FIG. 7 is a bottom view of the present invention.

**1 Claim, 6 Drawing Sheets**



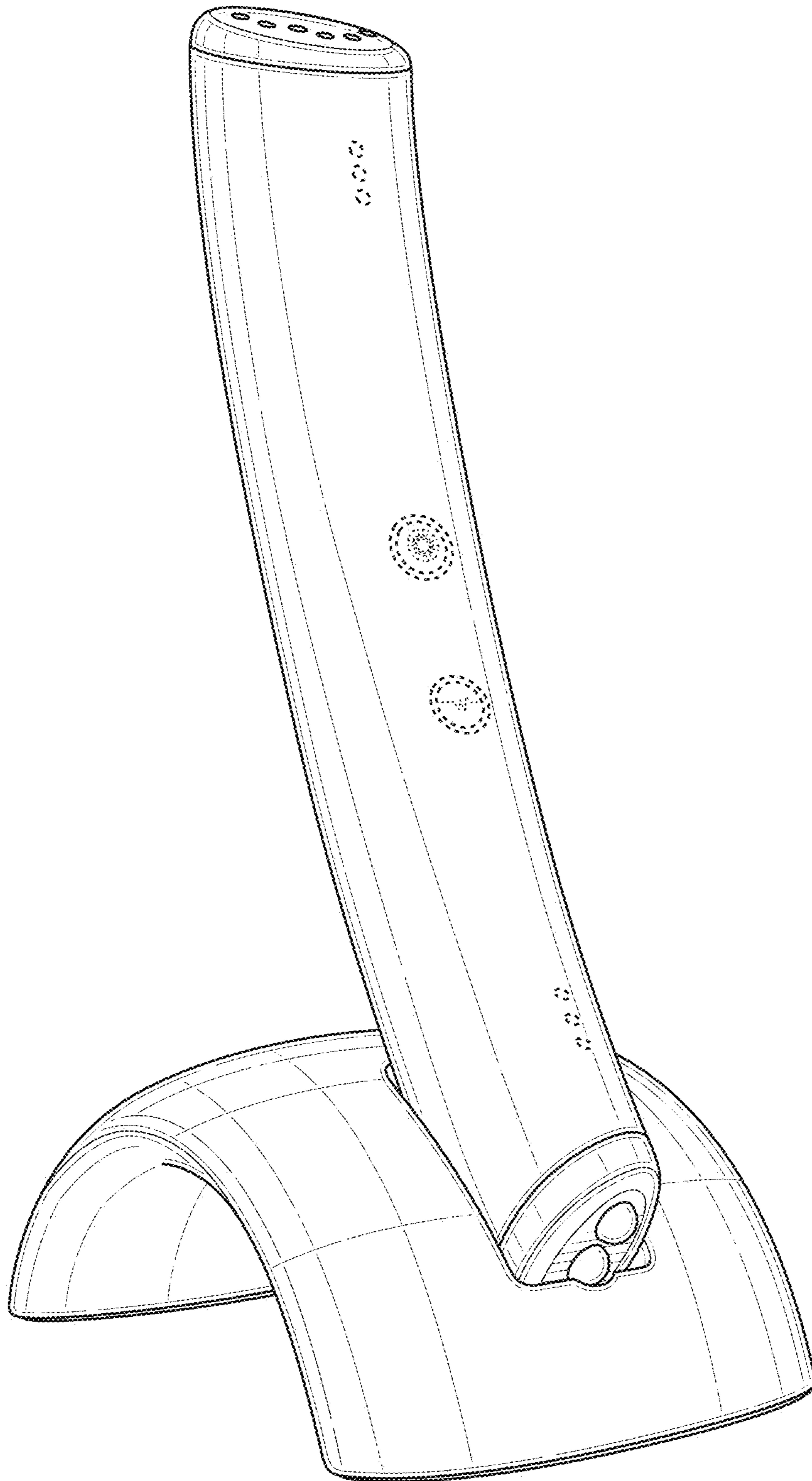


FIG. 1

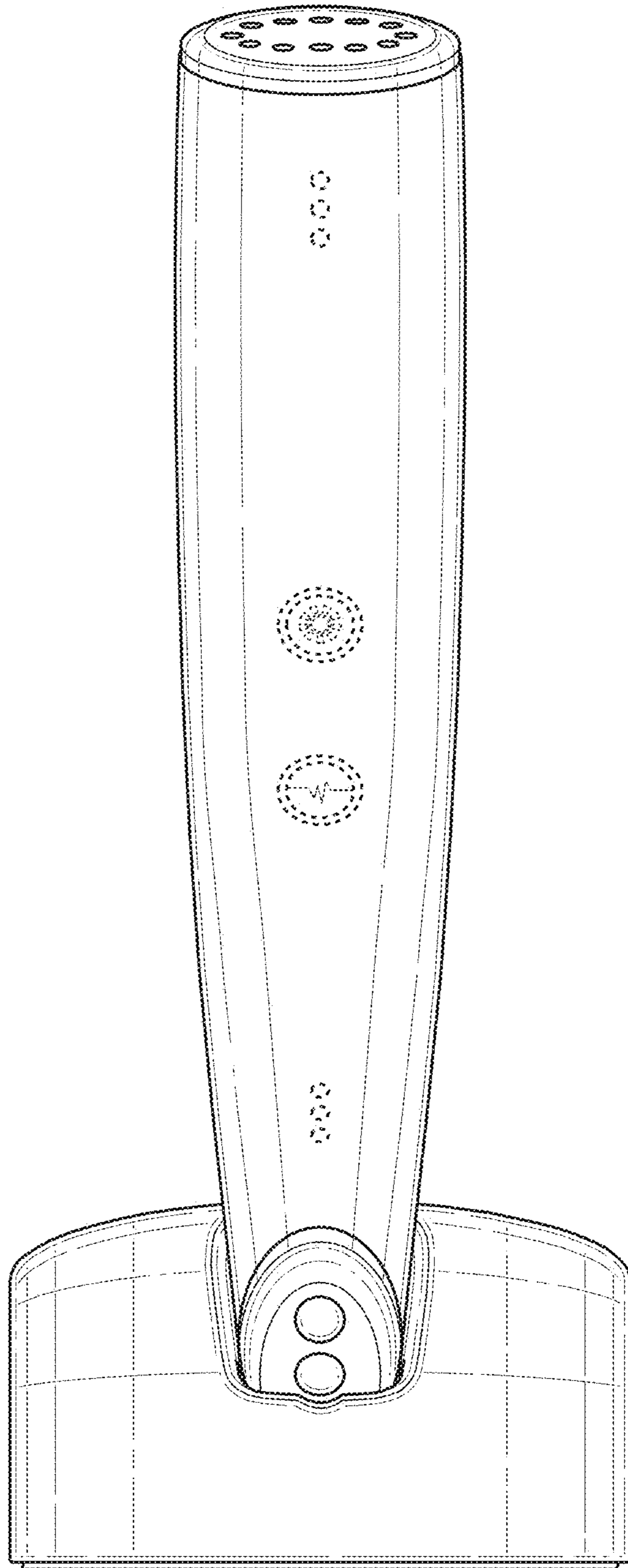
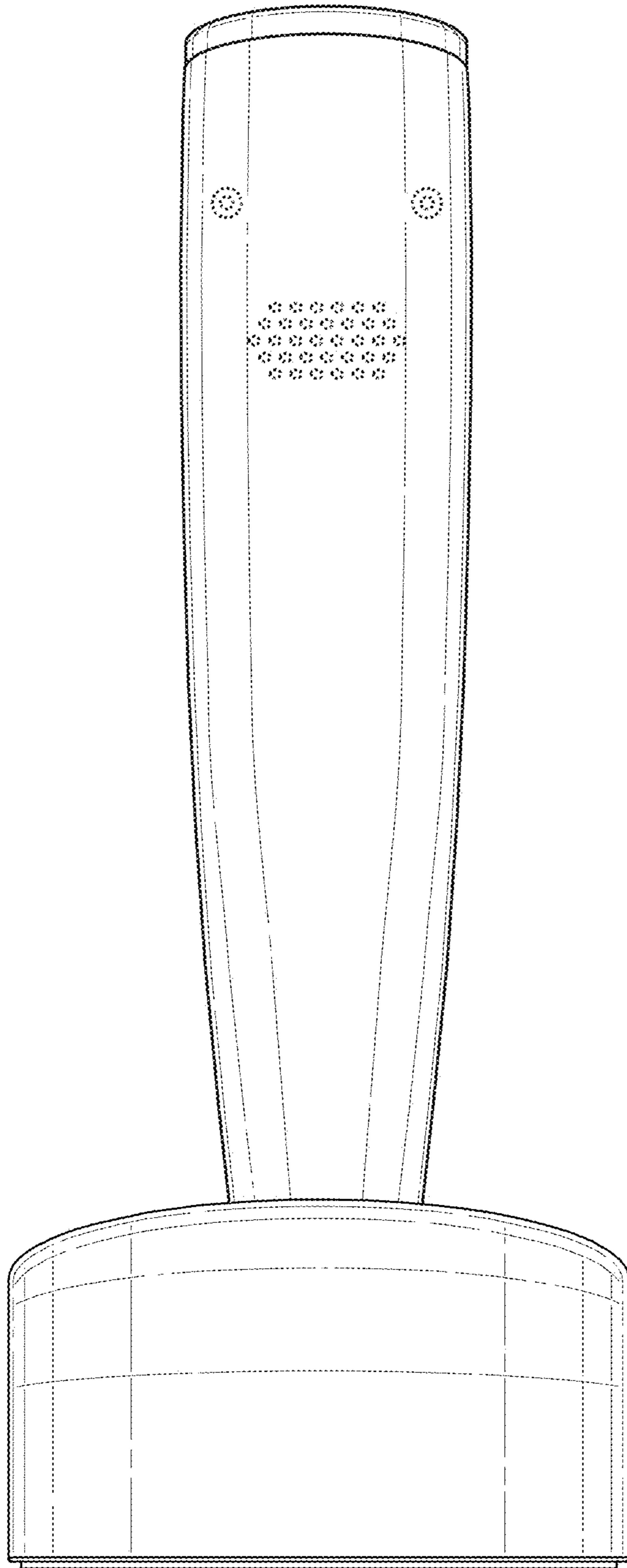


FIG. 2



**FIG. 3**

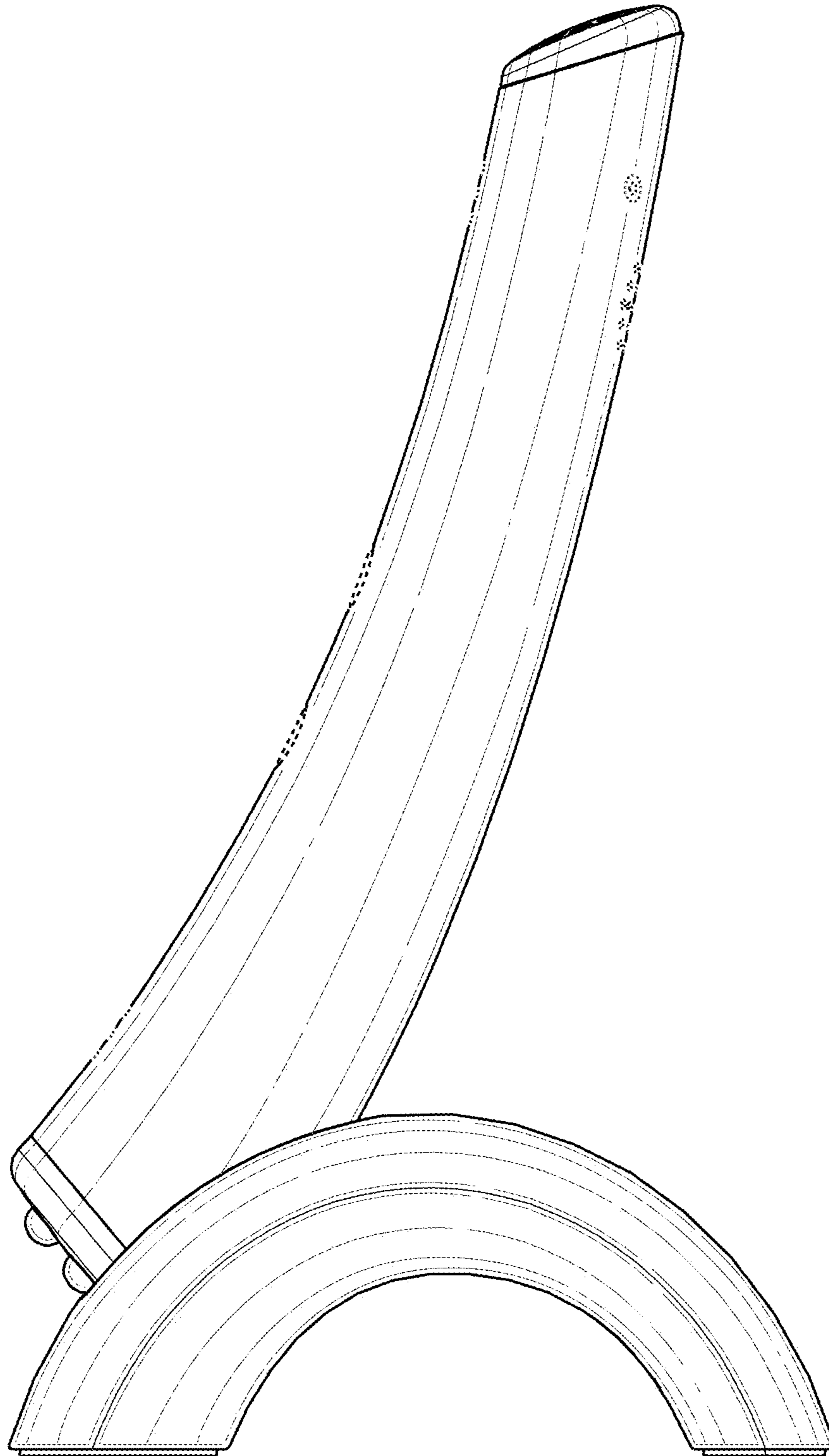


FIG. 4

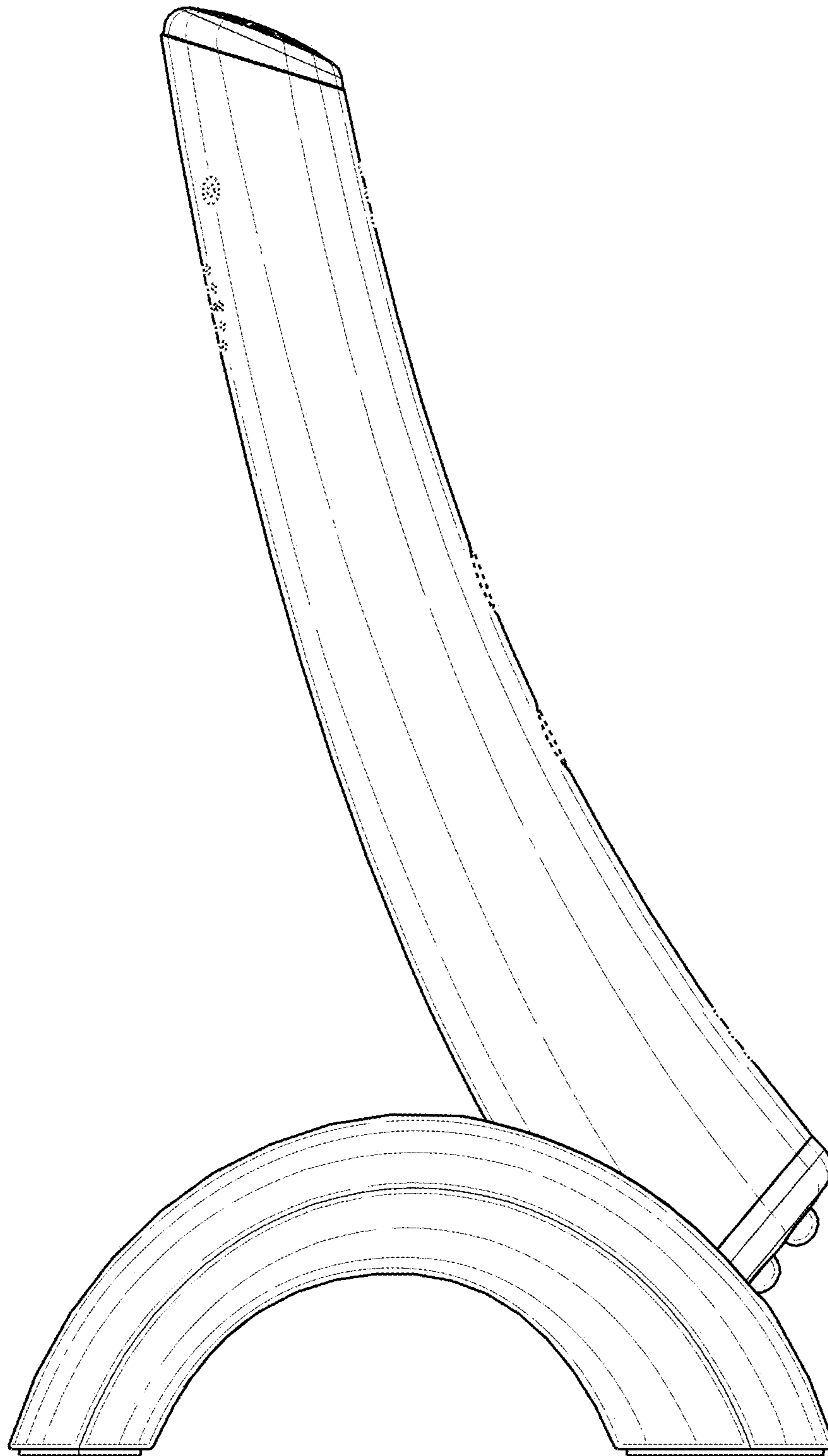
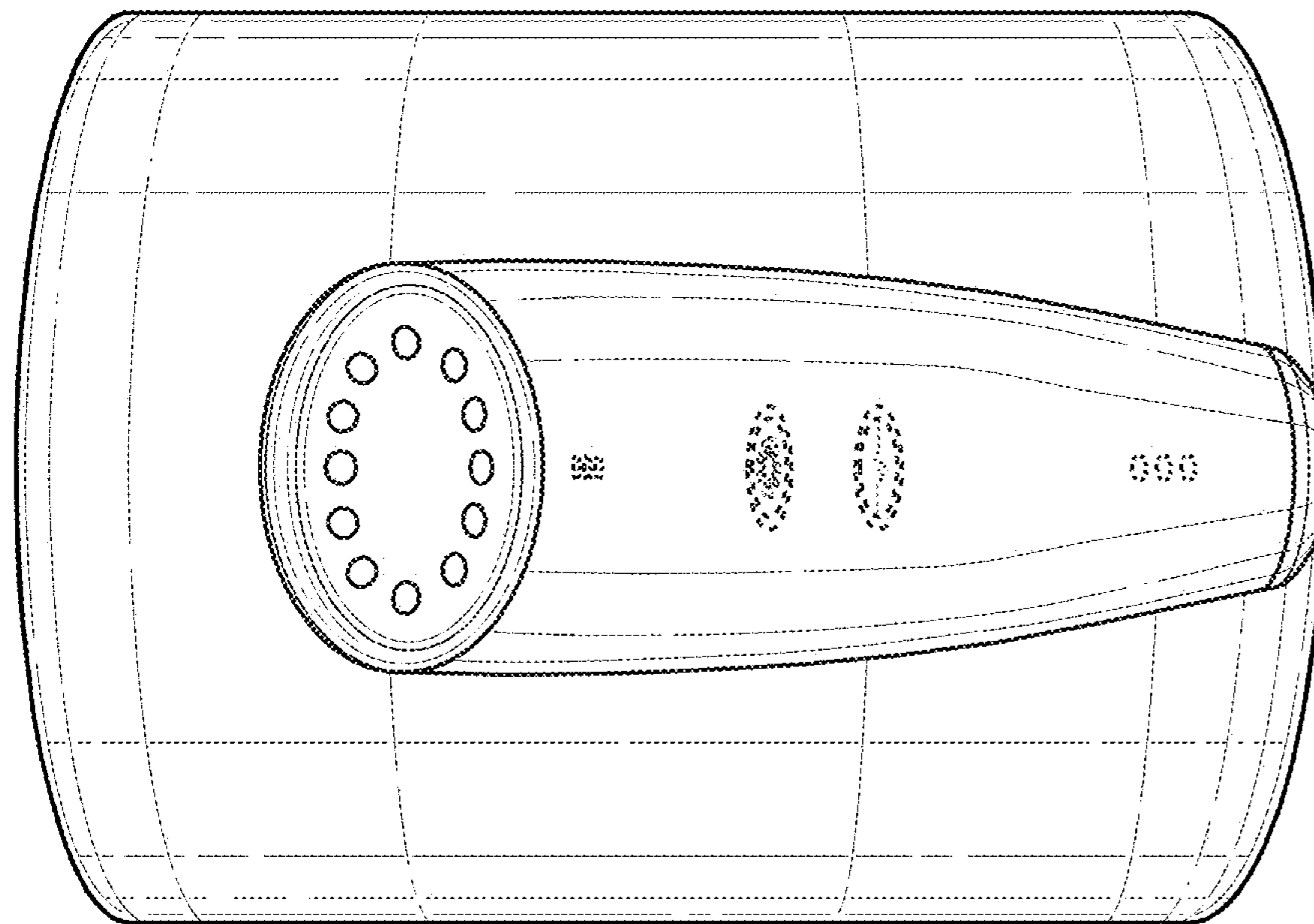
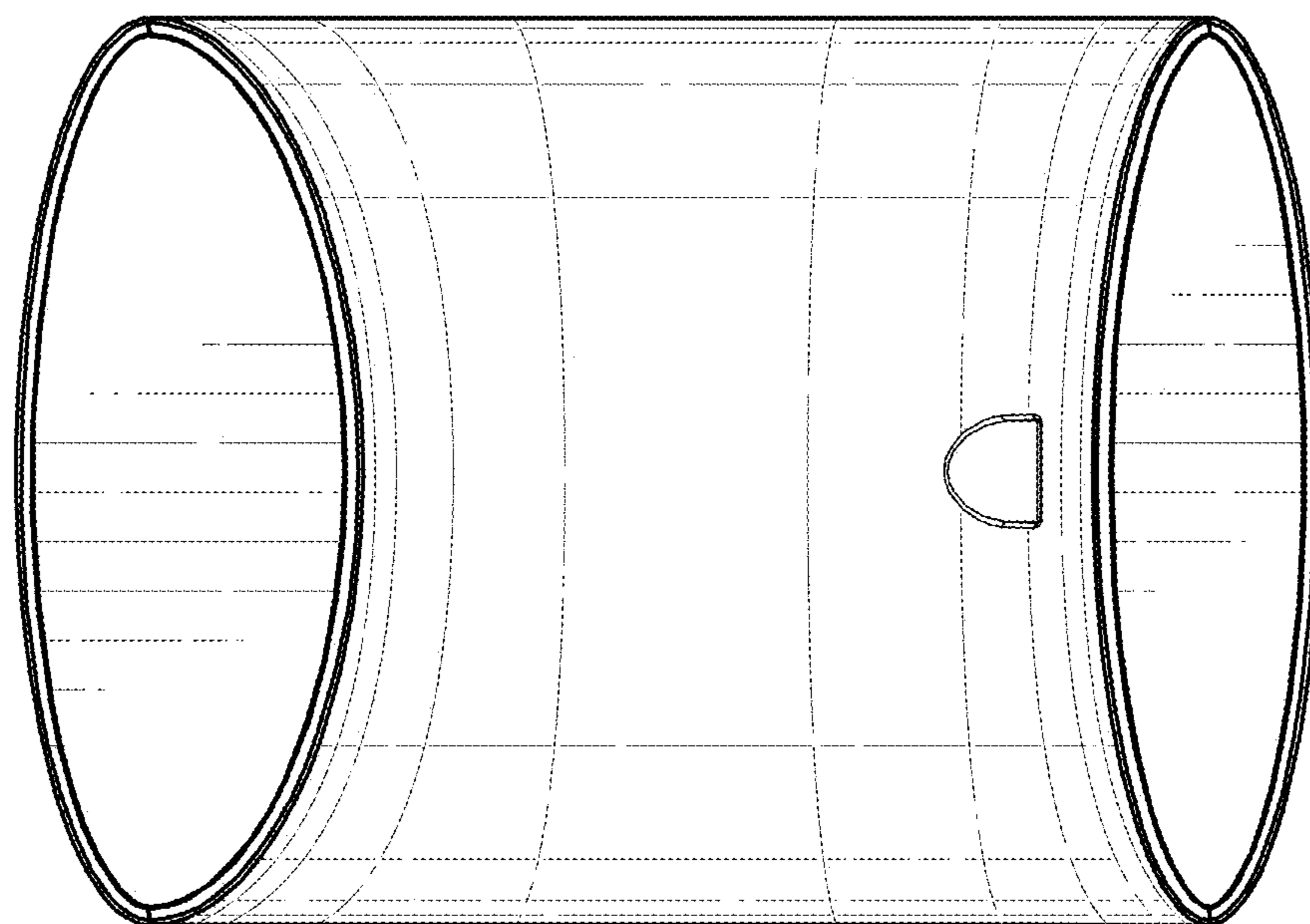


FIG. 5



**FIG. 6**



**FIG. 7**