



US00D880707S

(12) **United States Design Patent**
Gu

(10) **Patent No.:** **US D880,707 S**

(45) **Date of Patent:** **** Apr. 7, 2020**

(54) **ELECTROMYOGRAPHY (EMG) SENSOR**

D796,355 S * 9/2017 Cho D10/70
D802,779 S * 11/2017 Inoue D24/200
D855,193 S * 7/2019 Levi D24/200

(71) Applicant: **Healer Tech (Beijing) Co., Ltd.**,
Beijing (CN)

(72) Inventor: **Qun Gu**, Beijing (CN)

(73) Assignee: **HEALER TECH (BEIJING) CO., LTD.**,
Beijing (CN)

(**) Term: **15 Years**

(21) Appl. No.: **29/664,335**

(22) Filed: **Sep. 24, 2018**

(51) **LOC (12) Cl.** **28-03**

(52) **U.S. Cl.**
USPC **D24/200**

(58) **Field of Classification Search**
USPC D24/200, 214, 168, 185-187; D14/214;
600/546, 372, 382, 384, 386; 607/72, 46,
607/48, 115-116
CPC A61B 5/0492; A61B 5/224; A61N 1/0404;
A61N 1/36003; A61N 1/3606; A61N
1/36021
See application file for complete search history.

(56) **References Cited**

U.S. PATENT DOCUMENTS

D337,642 S * 7/1993 Yamasaki D24/200
D350,205 S * 8/1994 Yamasaki D24/200
D364,928 S * 12/1995 Yamasaki D24/200
D706,435 S * 6/2014 Weng D24/200

OTHER PUBLICATIONS

FlexrGo Wearable EMG Sensor. Retrieved on Nov. 5, 2019. Retrieved from the Internet: <https://www.protherapysupplies.com/Shop-by-Brand/FlexrGO/FlexrGo-Wearable-EMG-Sensor>.*

* cited by examiner

Primary Examiner — Wan Laymon

(74) *Attorney, Agent, or Firm* — Dragon Sun Law Firm,
PC; Jinggao Li, Esq.

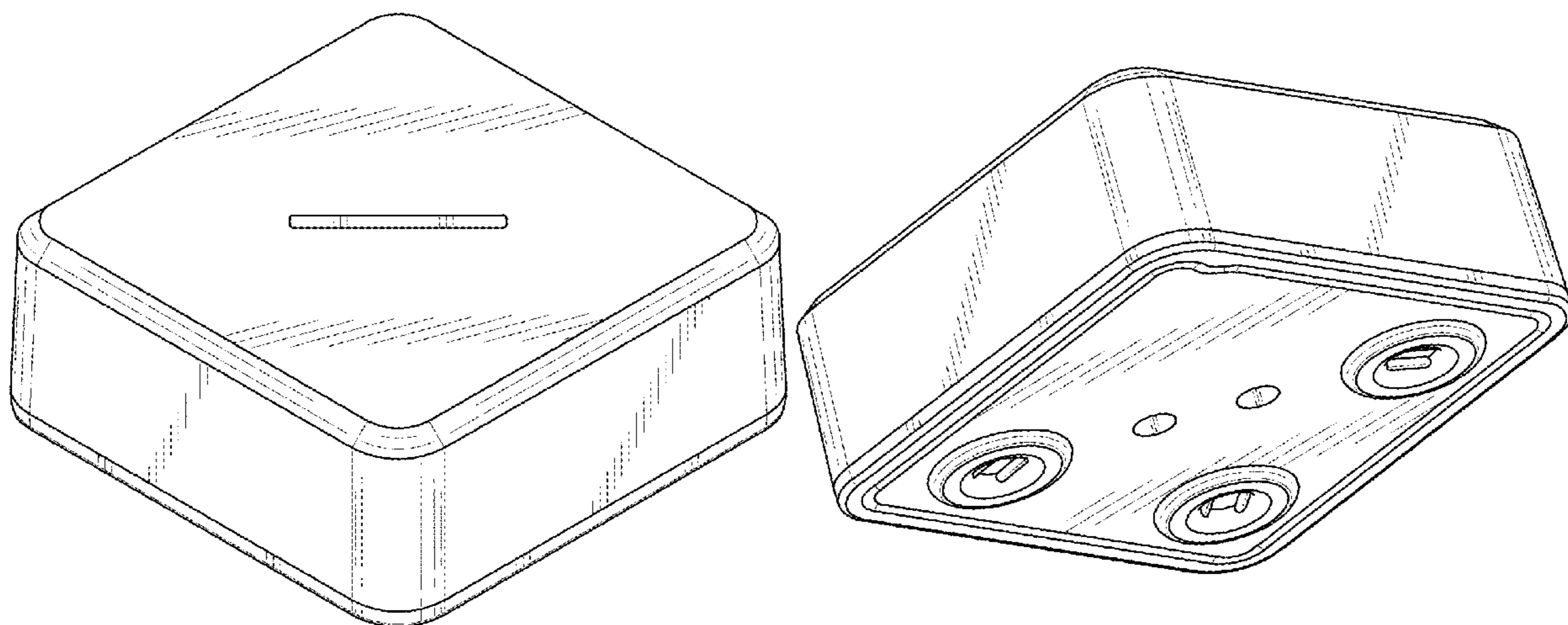
(57) **CLAIM**

The ornamental design for an electromyography (EMG) sensor, as shown and described.

DESCRIPTION

FIG. 1 is a top front perspective view of an electromyography (EMG) sensor showing my new design; FIG. 2 is a bottom rear perspective view thereof; FIG. 3 is a front elevational view thereof; FIG. 4 is a rear elevational view thereof; FIG. 5 is a right elevational view thereof; FIG. 6 is a left elevational view thereof; FIG. 7 is a top plan view thereof; and, FIG. 8 is a bottom plan view thereof.

1 Claim, 8 Drawing Sheets



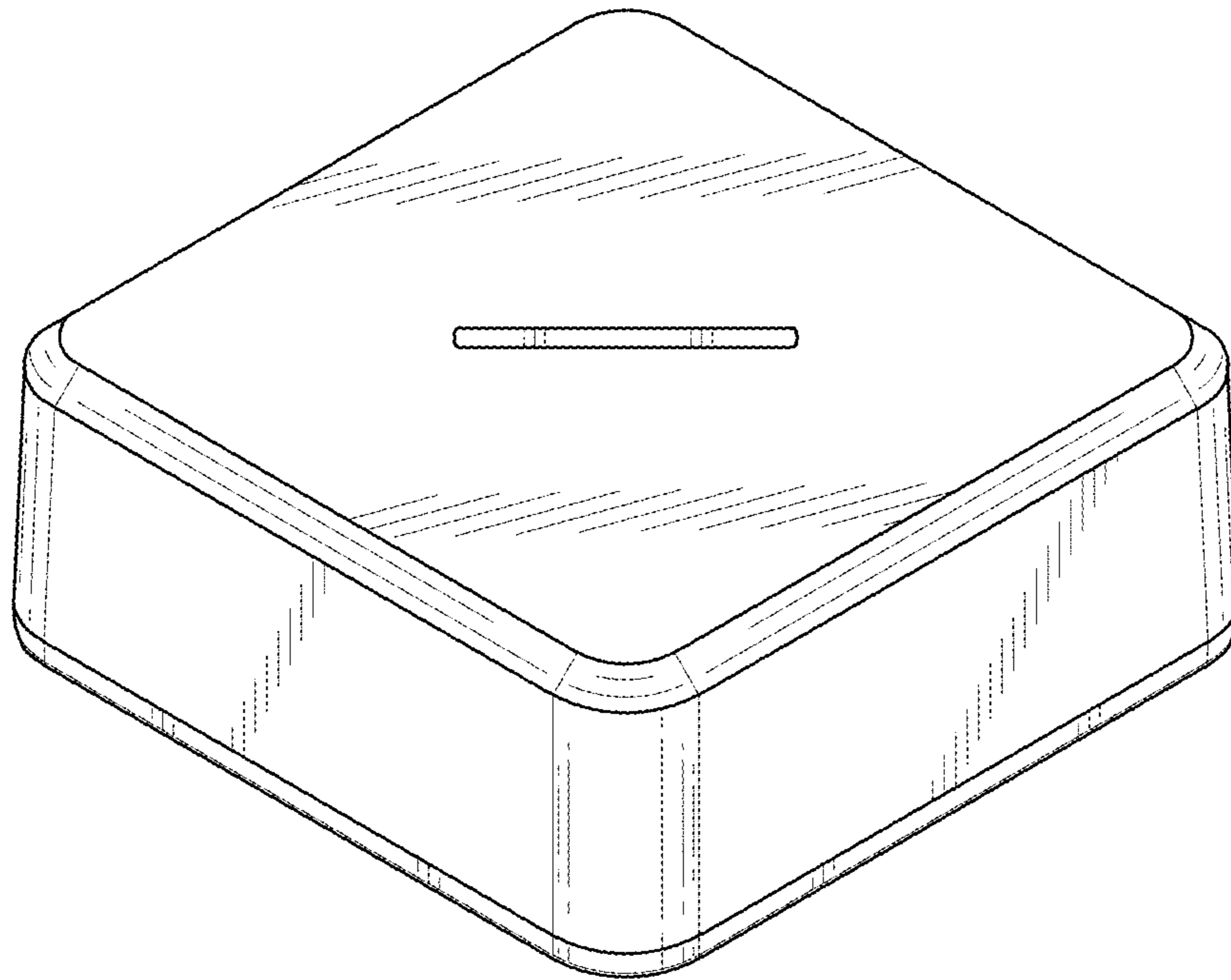


FIG. 1

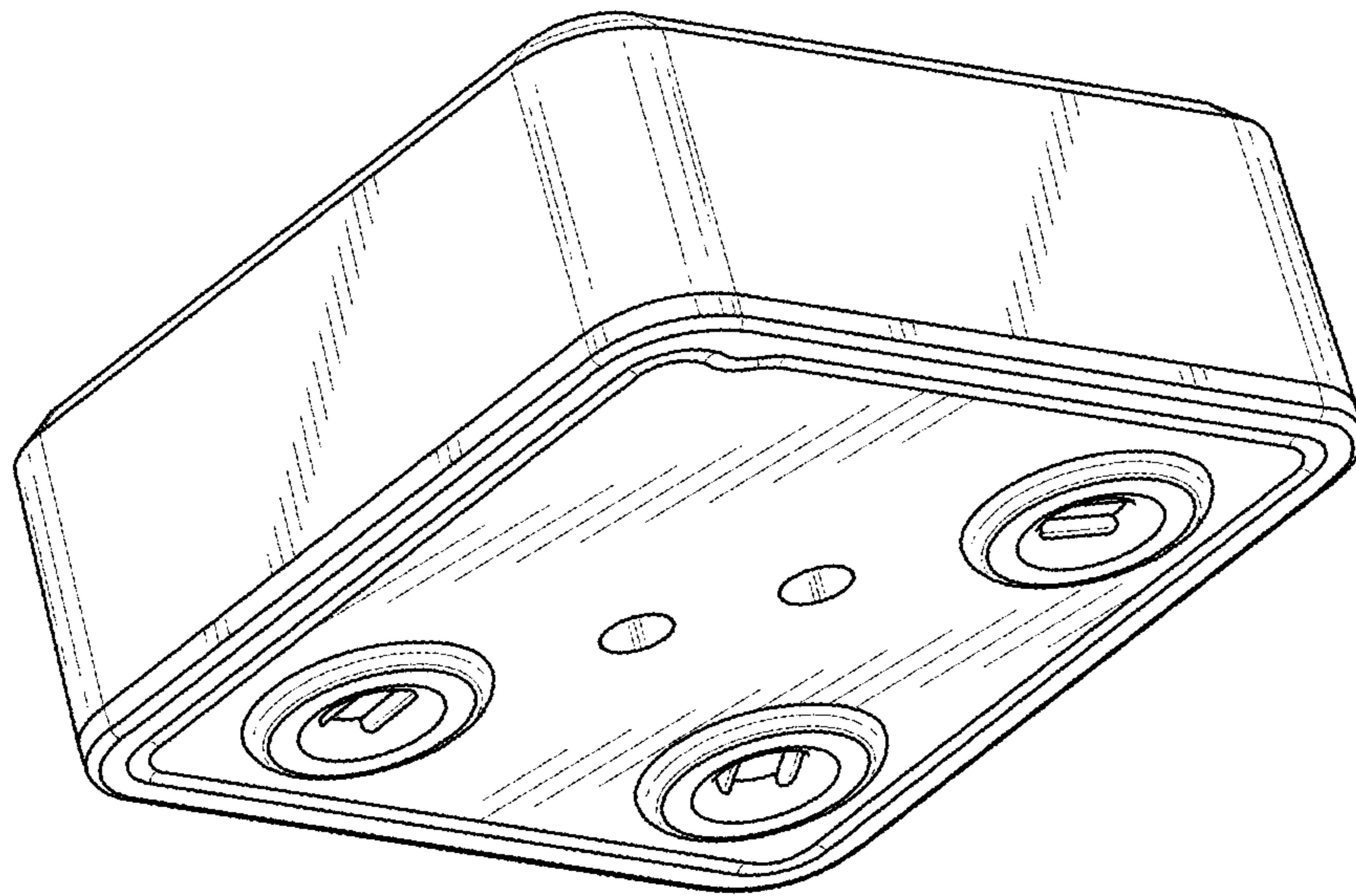


FIG. 2

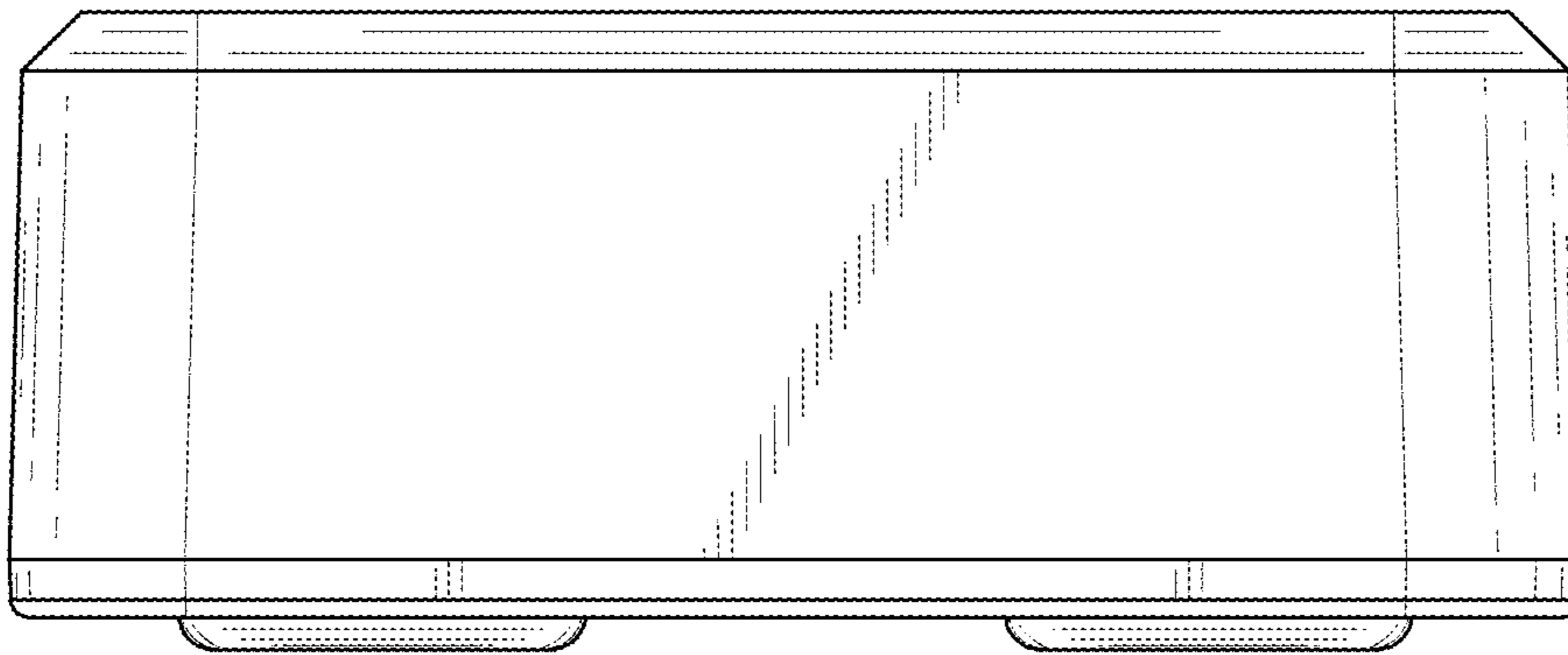


FIG. 3

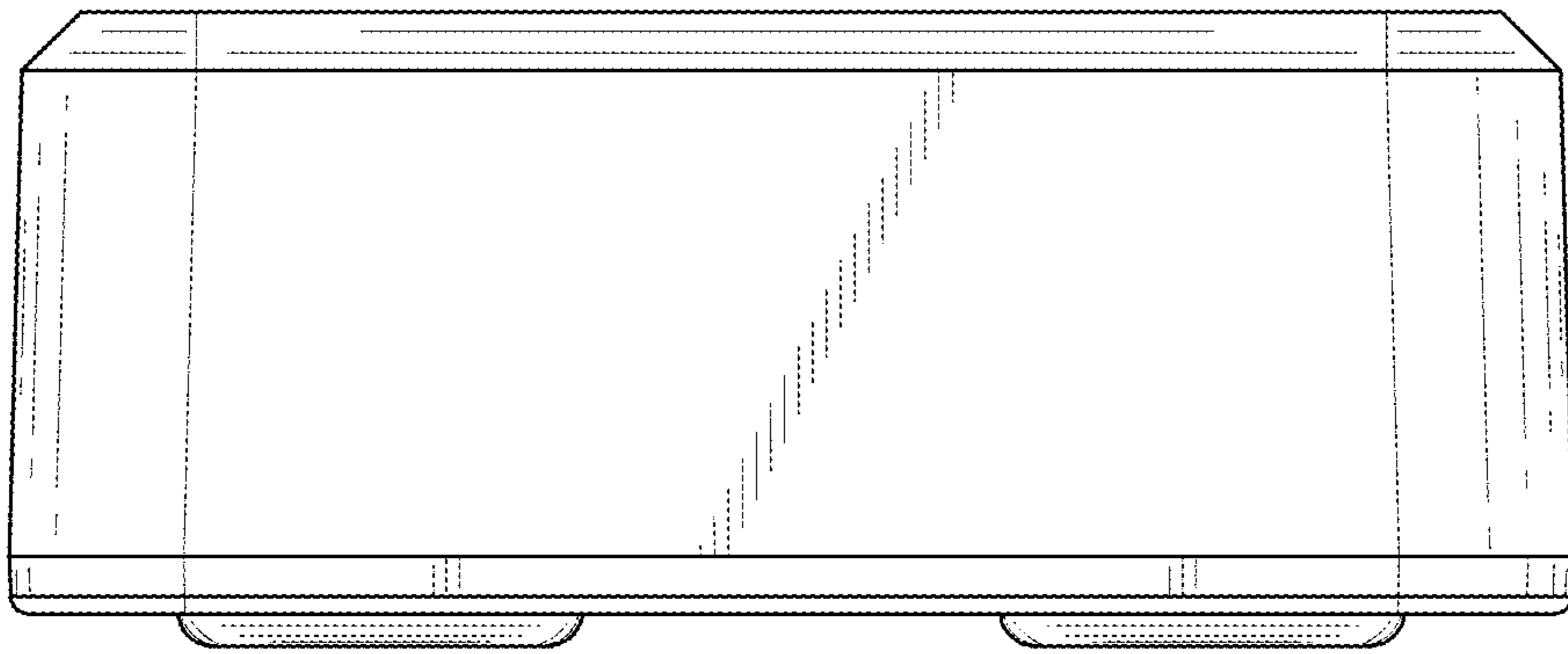


FIG. 4

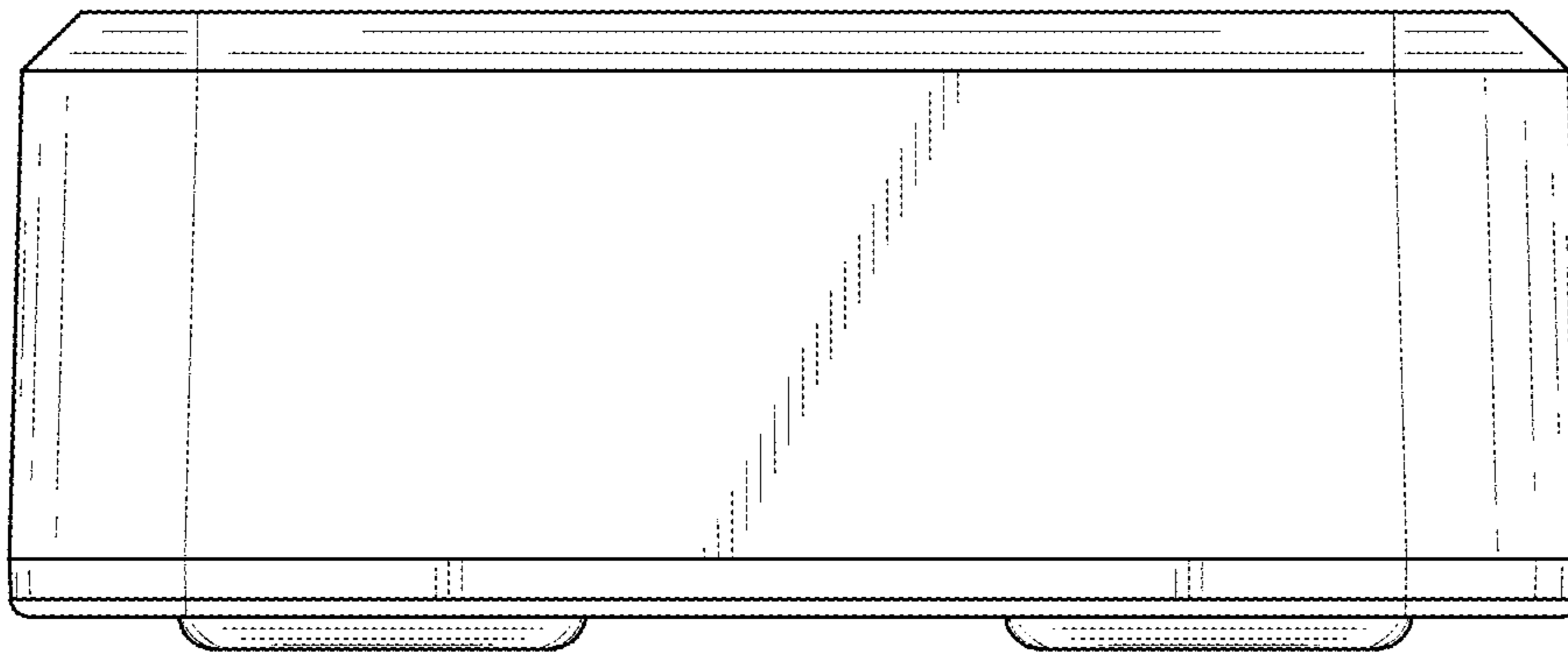


FIG. 5

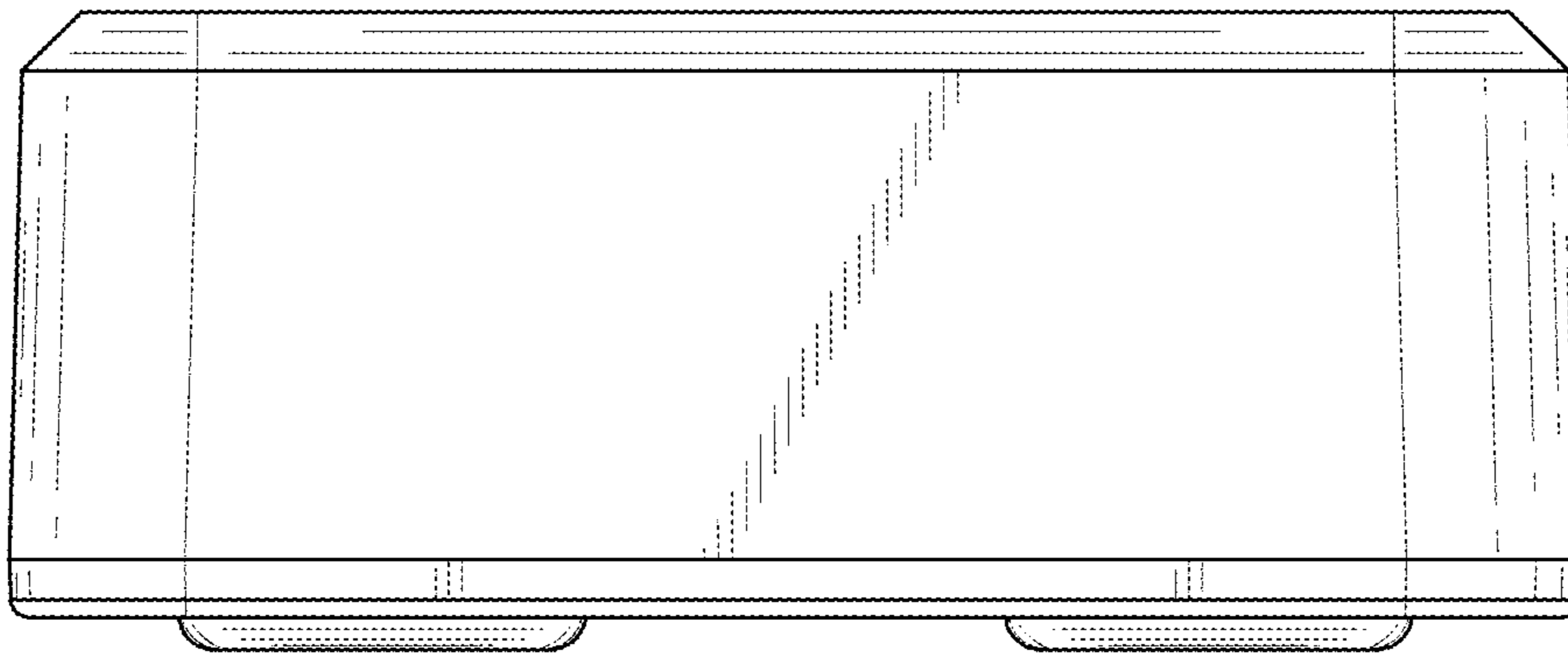


FIG. 6

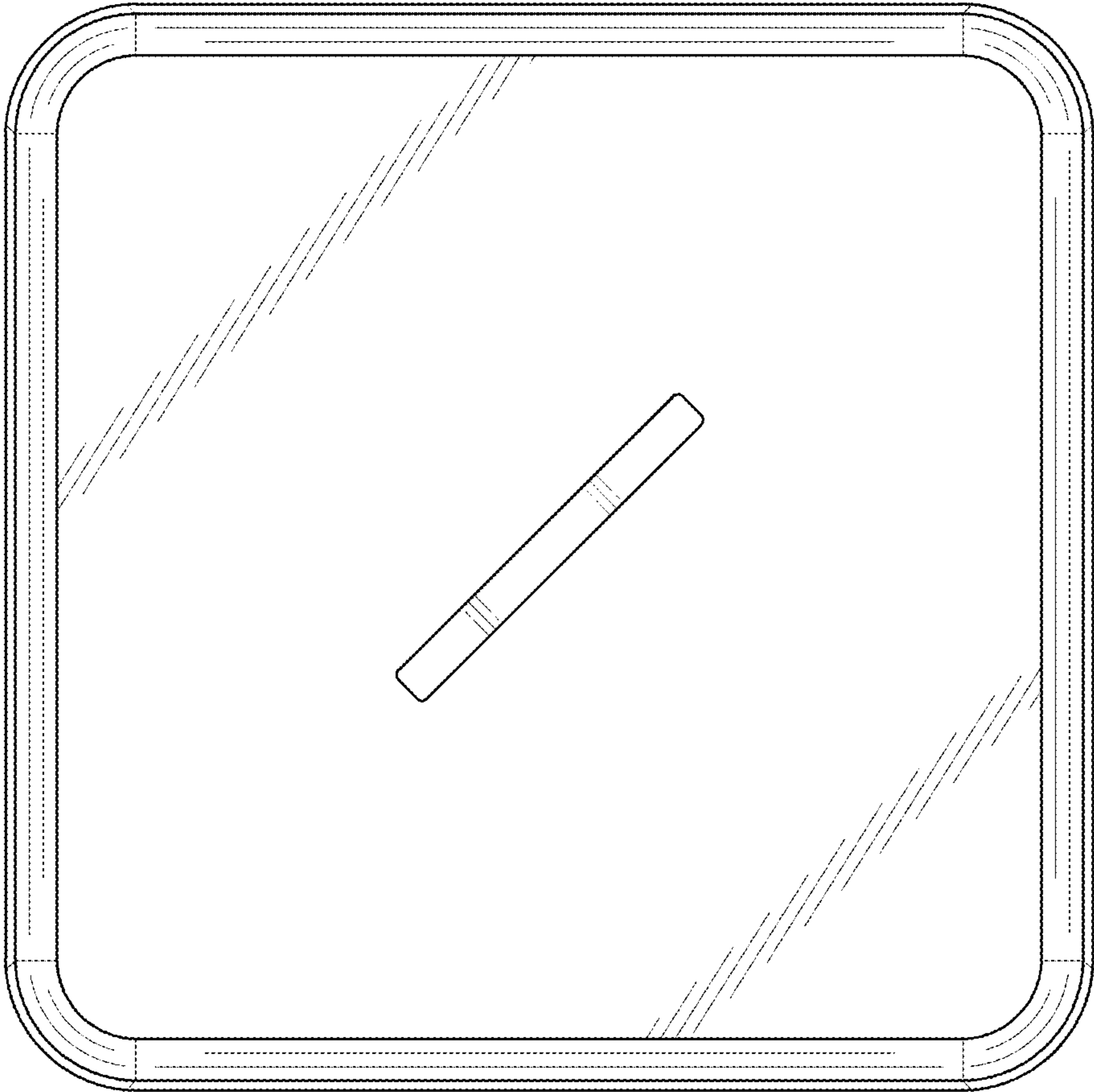


FIG. 7

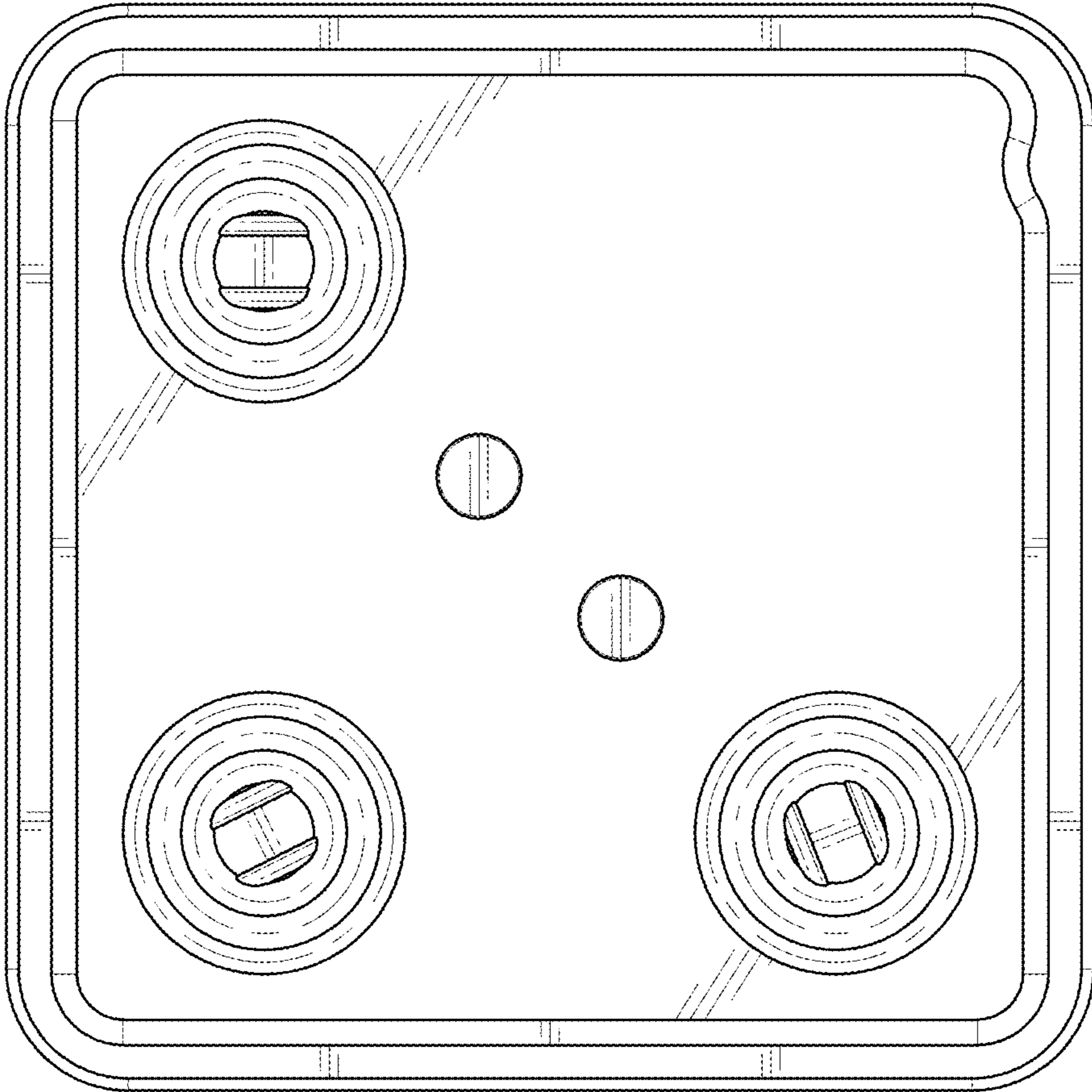


FIG. 8