



US00D880704S

(12) **United States Design Patent**  
**McEwen et al.**

(10) **Patent No.: US D880,704 S**

(45) **Date of Patent: \*\* \*Apr. 7, 2020**

(54) **TAPERED SLEEVE**

(71) Applicant: **Western Clinical Engineering Ltd.,**  
Vancouver (CA)

(72) Inventors: **James Allen McEwen,** Vancouver  
(CA); **Michael Jameson,** North  
Vancouver (CA); **Tom Yu Chia Lai,**  
Vancouver (CA); **Jane Dorothea**  
**Procyshyn,** Surrey (CA); **Joshua**  
**Jonathan Sam,** Vancouver (CA)

(73) Assignee: **Western Clinical Engineering Ltd.,**  
Vancouver (CA)

(\*) Notice: This patent is subject to a terminal dis-  
claimer.

(\*\*) Term: **15 Years**

(21) Appl. No.: **29/640,195**

(22) Filed: **Mar. 12, 2018**

(51) **LOC (12) Cl. .... 24-04**

(52) **U.S. Cl.**

USPC ..... **D24/189**

(58) **Field of Classification Search**

USPC ..... D24/171, 188–190, 199, 200, 206,  
D24/212–214, 155, 183; D29/100, 118,  
(Continued)

(56) **References Cited**

**U.S. PATENT DOCUMENTS**

D282,409 S \* 2/1986 Dryzal ..... D2/860

D345,252 S \* 3/1994 Randall ..... D2/901

(Continued)

**OTHER PUBLICATIONS**

Far Infrared Health Inc. Compression Calf Sleeves for Varicose  
Veins | Bio-Ceramic Neoprene Support. 2018 <https://farinfraredhealth.com/products/bio-ceramic-calf-sleeves?variant=45070319311> (Year:  
2018).\*

(Continued)

*Primary Examiner* — George D. Kirschbaum

*Assistant Examiner* — Darcey E Gottschalk

(74) *Attorney, Agent, or Firm* — Klarquist Sparkman,  
LLP

(57) **CLAIM**

We claim the ornamental design for a tapered sleeve, as  
shown and described.

**DESCRIPTION**

FIG. 1 is a perspective view of the tapered sleeve showing  
our new design with the sleeve in an expanded configuration  
from one end.

FIG. 2 is another perspective view thereof from an opposite  
end;

FIG. 3 is a front side elevation view thereof with the sleeve  
in an unexpanded configuration.

FIG. 4 is a top plan view thereof.

FIG. 5 is a bottom plan view thereof.

FIG. 6 is a right side elevational view thereof.

FIG. 7 is a left side elevational view thereof.

FIG. 8 is a rear side elevation view thereof.

FIG. 9 is an enlarged view of a surface thereof, taken from  
any area in a main field away from a periphery thereof.

FIG. 10 is a perspective view of the tapered sleeve according  
to a second embodiment showing our new design with the  
sleeve in an expanded configuration from one end.

FIG. 11 is another perspective view thereof from an opposite  
end;

FIG. 12 is a front side elevation view thereof with the sleeve  
in an unexpanded configuration.

FIG. 13 is a top plan view thereof.

FIG. 14 is a bottom plan view thereof.

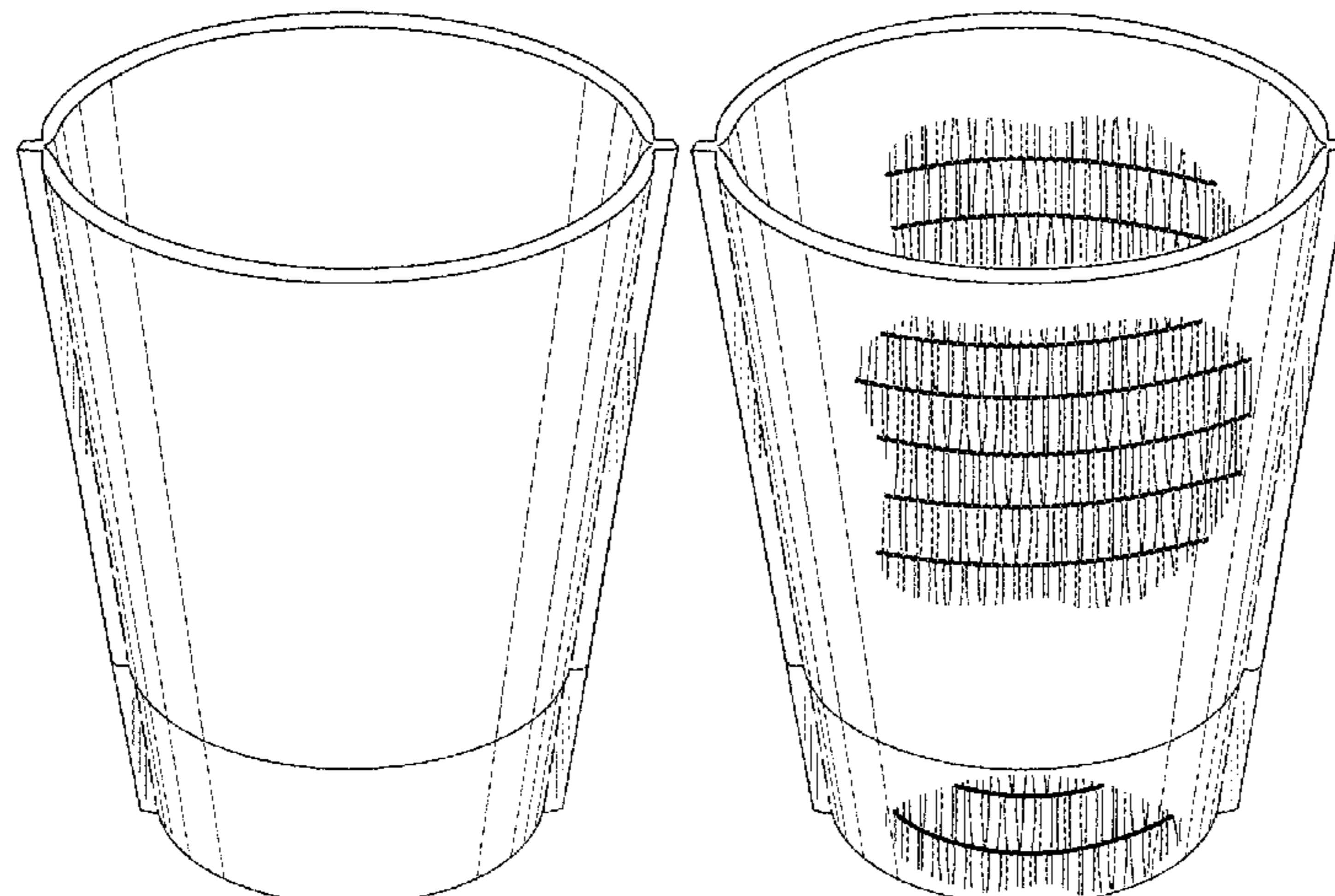
FIG. 15 is a right side elevational view thereof.

FIG. 16 is a left side elevational view thereof; and,

FIG. 17 is a rear side elevation view thereof.

The broken line showings of edge seams form no part of the  
claimed design. The dash-dot line in FIG. 9 indicates a  
boundary that forms no part of the claimed design.

**1 Claim, 7 Drawing Sheets**



(58) **Field of Classification Search**

USPC ..... D29/120.1, 121.1, 121.2, 123, 113, 114;  
 D2/610, 612, 901, 980, 983-988, 994  
 CPC ..... A61B 17/1325; A61B 17/135; A61B 5/03;  
 A61B 25/62; A61B 25/0247

See application file for complete search history.

D785,804 S \* 5/2017 Matfus ..... D24/190  
 D800,323 S \* 10/2017 Cox ..... D24/190  
 D800,324 S \* 10/2017 Cox ..... D24/190  
 D800,325 S \* 10/2017 Cox ..... D24/190  
 9,931,126 B2 \* 4/2018 McEwen ..... A61B 17/1355  
 D818,257 S \* 5/2018 Gladney ..... D2/980  
 D837,457 S \* 1/2019 Lesosky ..... D29/113  
 10,201,354 B1 \* 2/2019 McEwen ..... A61B 17/1325  
 D850,631 S \* 6/2019 McEwen ..... D24/189  
 2002/0169407 A1 11/2002 Glinsboeckel  
 2003/0114782 A1 6/2003 Chiang  
 2006/0026730 A1 2/2006 Terczak  
 2011/0179542 A1 7/2011 Khuong  
 2012/0096616 A1 4/2012 Fisher  
 2012/0310129 A1 12/2012 Johnson  
 2016/0008006 A1 \* 1/2016 McEwen ..... A61B 17/1355  
 606/202

(56)

**References Cited**

U.S. PATENT DOCUMENTS

D380,875 S \* 7/1997 Gallo ..... D29/100  
 6,592,539 B1 7/2003 Elinarsson  
 6,726,641 B2 4/2004 Chiang  
 D528,249 S \* 9/2006 Gazau ..... D29/113  
 D551,351 S 9/2007 Silva  
 8,118,765 B2 2/2012 Magnusson  
 D707,361 S 6/2014 Banks  
 D734,563 S \* 7/2015 Daniel ..... D29/120.1  
 D740,495 S \* 10/2015 Ramos ..... D29/120.1  
 D746,997 S \* 1/2016 Higgins ..... D24/190  
 D778,506 S 2/2017 Matfus  
 D785,190 S \* 4/2017 Bell ..... D24/190

OTHER PUBLICATIONS

Delfi Medical Innovations Inc. Vari-Fit Contour Cuffs. 2018. <http://www.delfimedical.com/vari-fit-contour-cuffs/> (Year: 2018).\*

\* cited by examiner

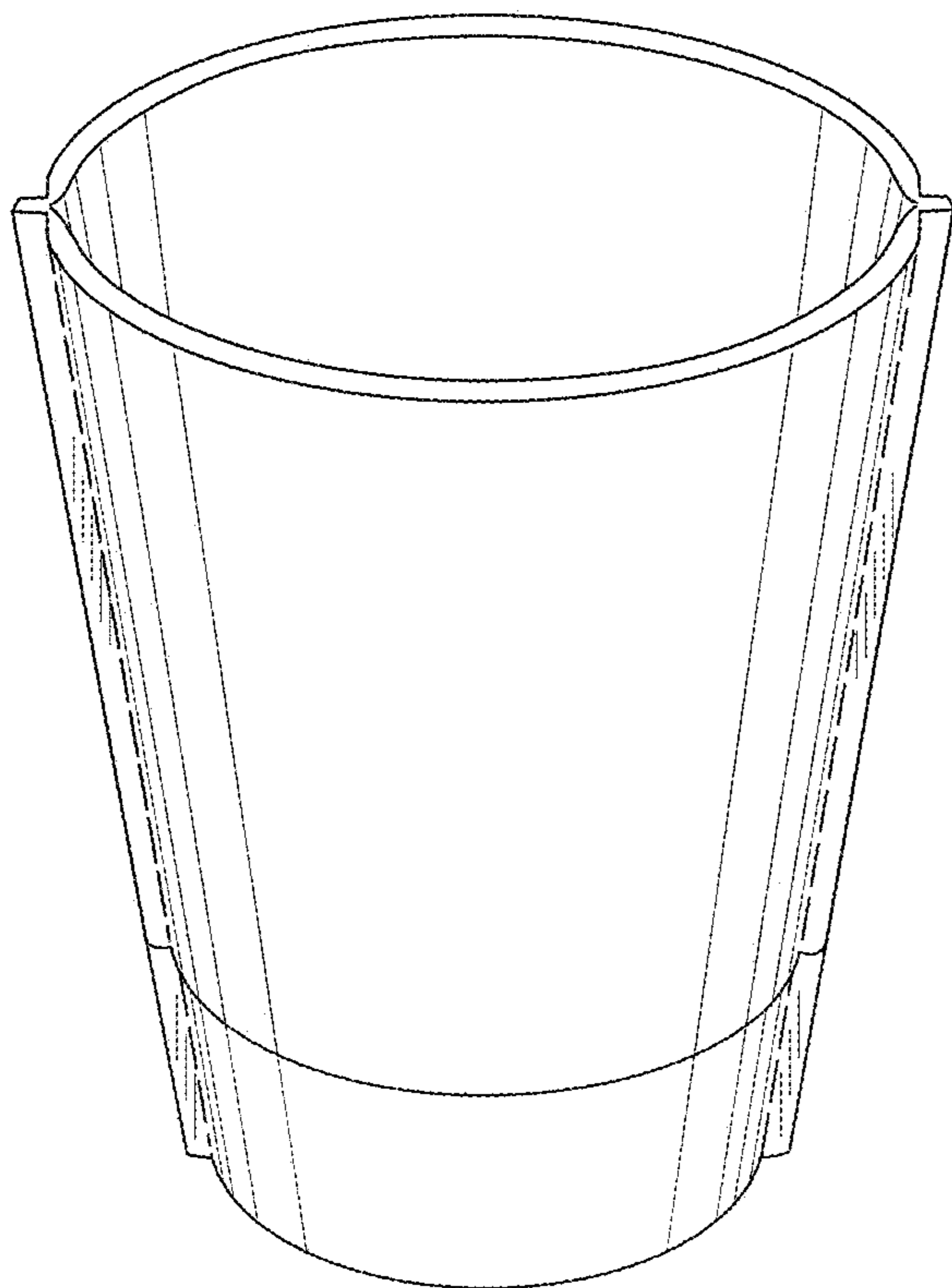


FIG. 1

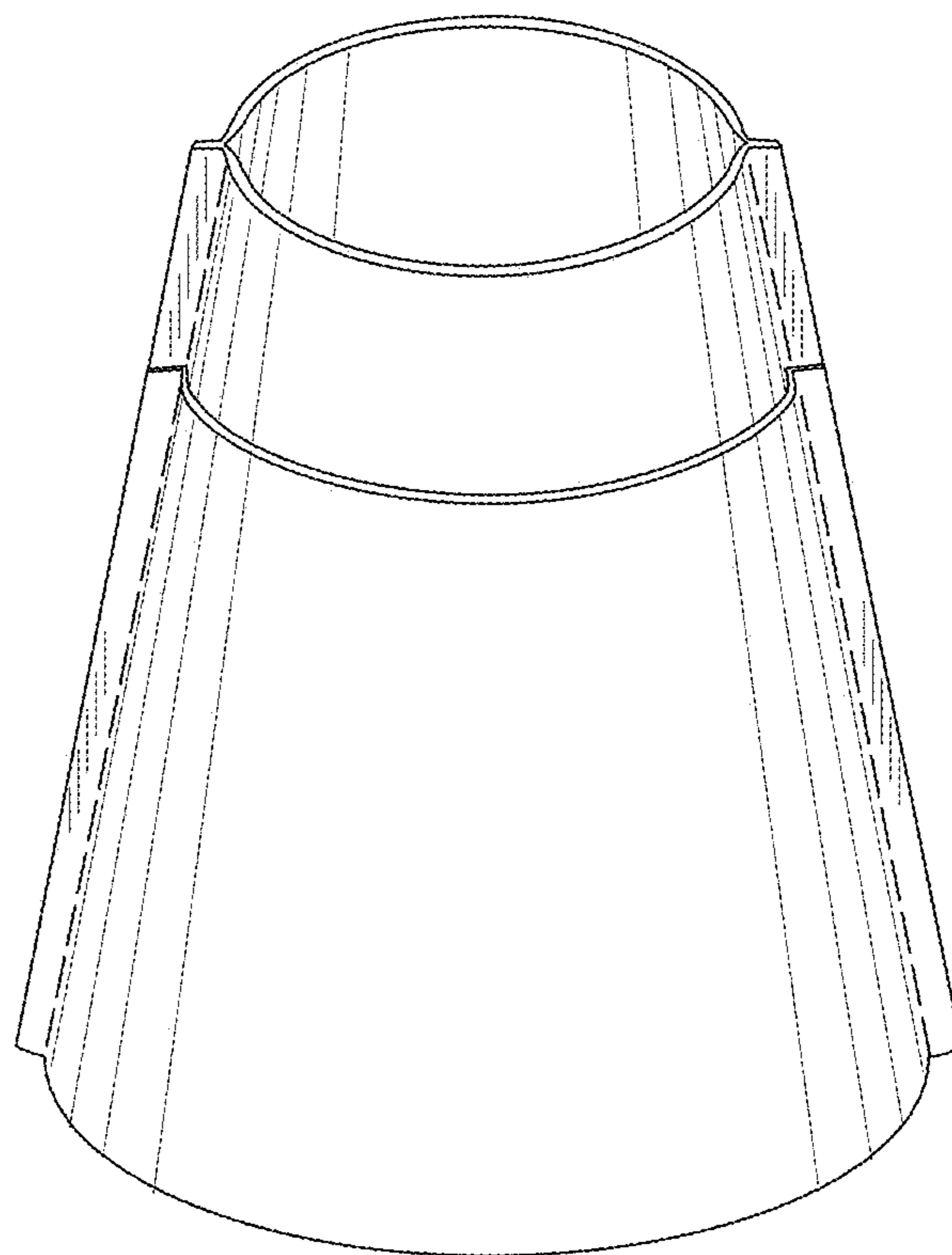


FIG. 2

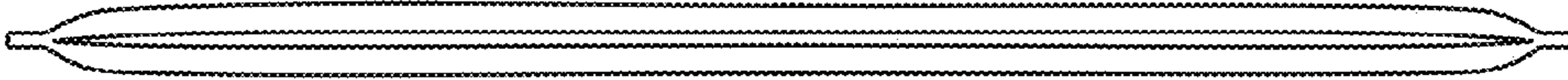


FIG. 4



FIG. 7

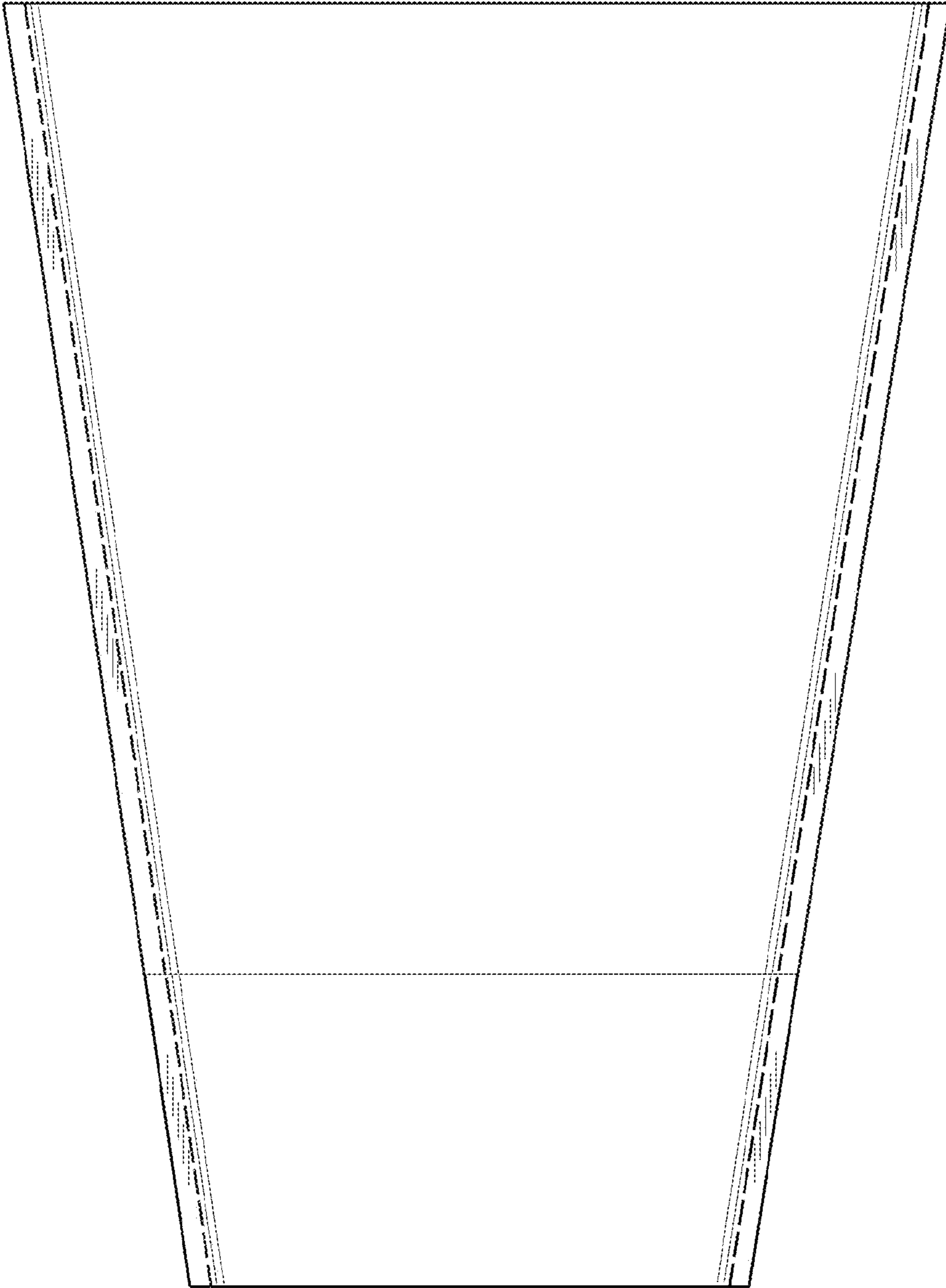


FIG. 3



FIG. 6



FIG. 5

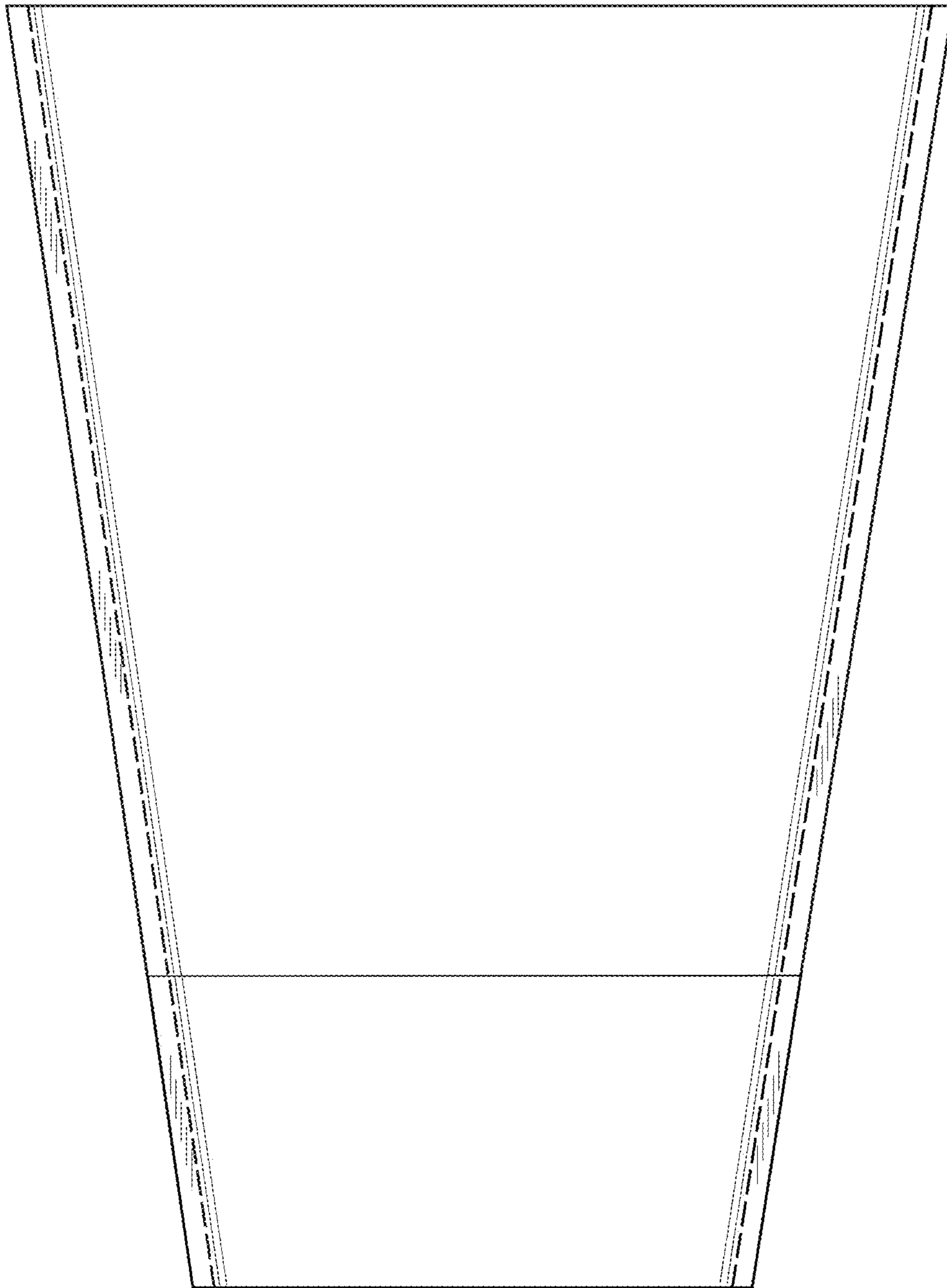


FIG. 8

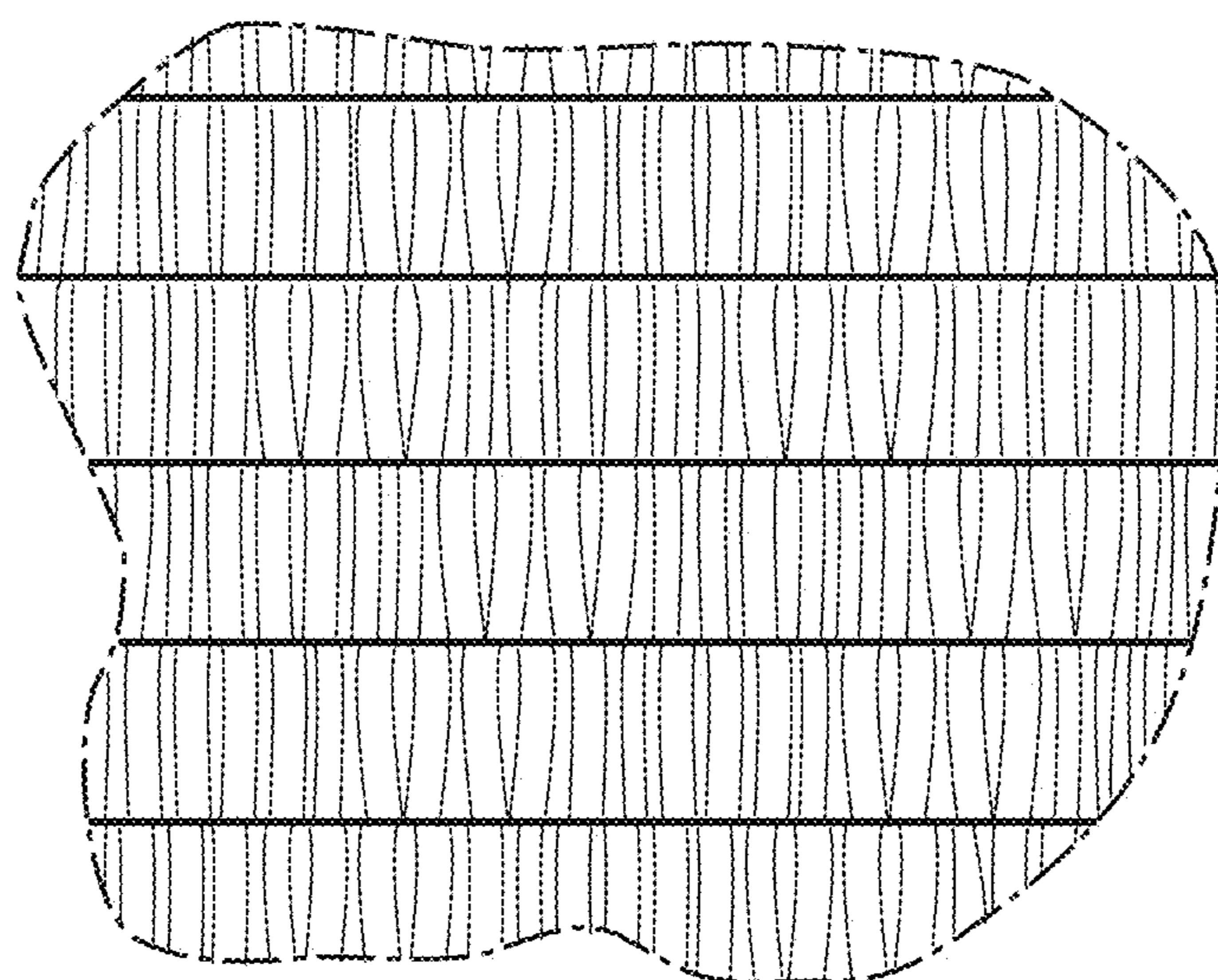


FIG. 9

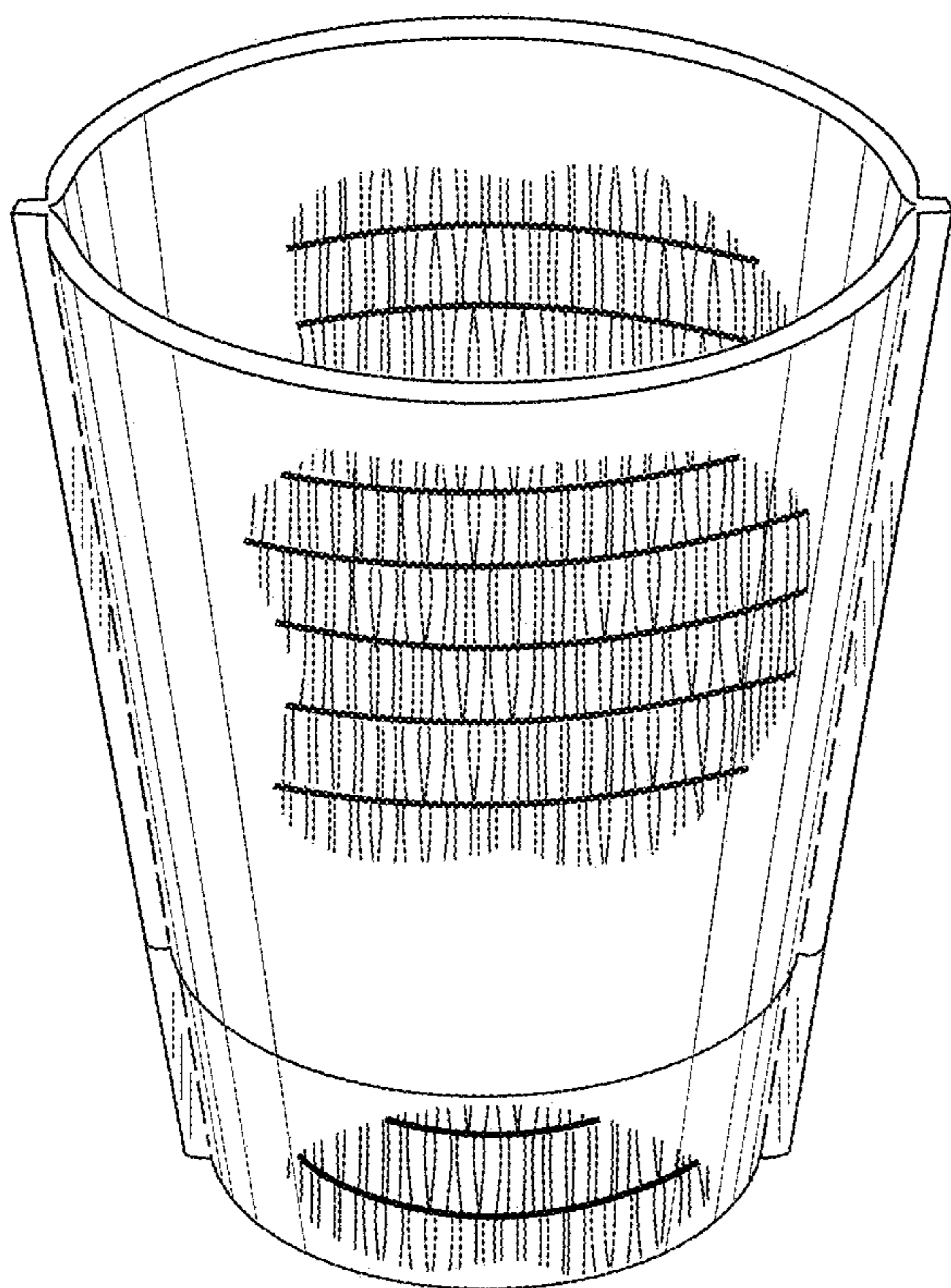


FIG. 10

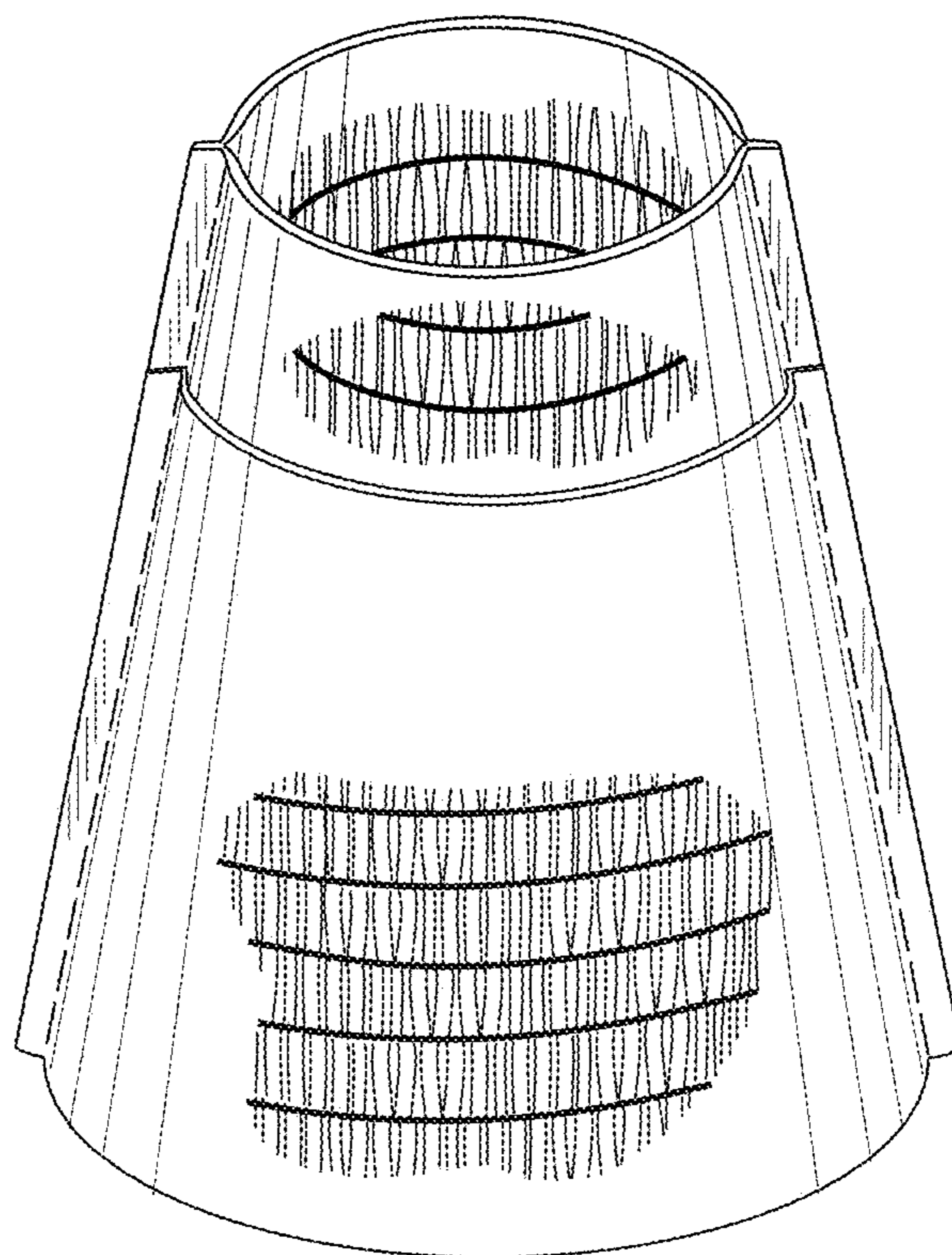


FIG. 11



FIG. 13

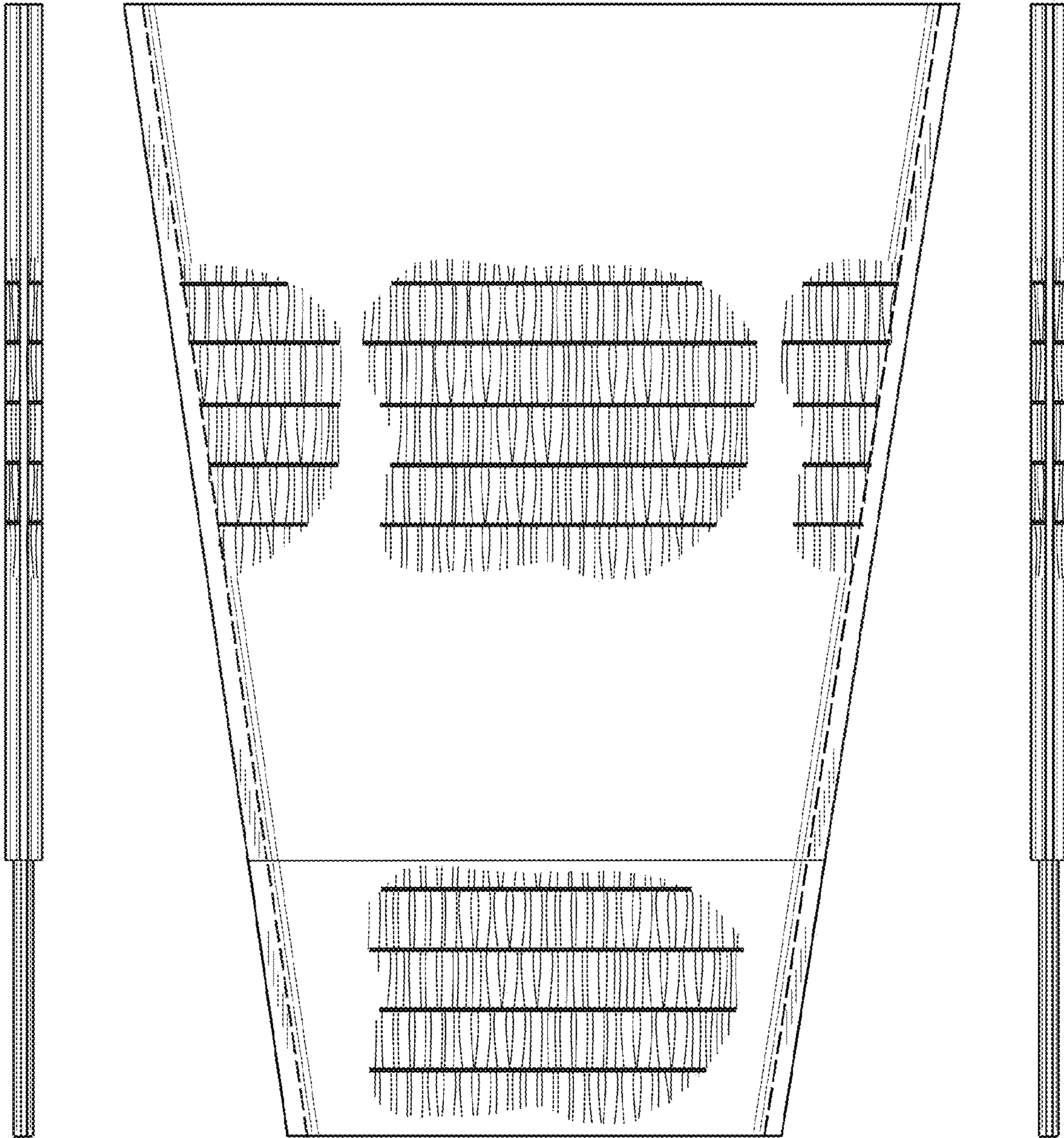


FIG. 16

FIG. 12

FIG. 15



FIG. 14



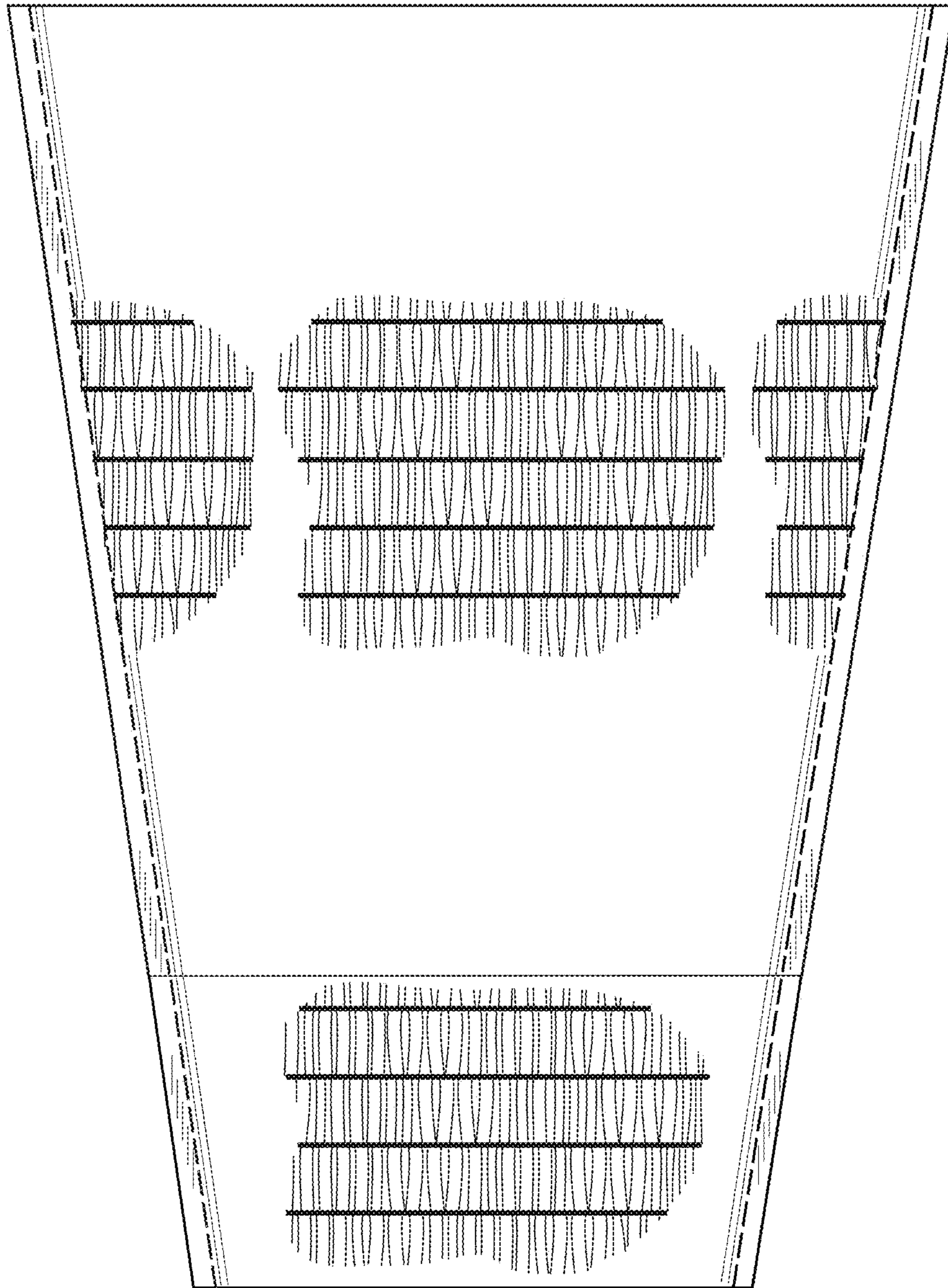


FIG. 17