



US00D880703S

(12) **United States Design Patent** (10) **Patent No.:** **US D880,703 S**
Emery et al. (45) **Date of Patent:** **** Apr. 7, 2020**

(54) **ULTRASOUND THERAPEUTIC TREATMENT HANDPIECE**

(71) Applicant: **Ulthera, Inc.**, Mesa, AZ (US)

(72) Inventors: **Charles D. Emery**, Gilbert, AZ (US); **Brian Lee Prout**, Gilbert, AZ (US); **Dwayne E. Quatier**, Chandler, AZ (US); **Alexander Michael Diener**, Seattle, WA (US); **Spencer Michael Denton**, Seattle, WA (US); **Kristin Marie Will**, Seattle, WA (US); **Luke David Springer**, Seattle, WA (US); **Trent R. Wetherbee**, Spokane Valley, WA (US); **Jered L. Singleton**, Bainbridge Island, WA (US); **Peter J. Heinrich**, Auburn, WA (US); **Cameron Andrew Harder**, San Francisco, CA (US); **John R. Murkowski**, Seattle, WA (US)

(73) Assignee: **Ulthera, Inc.**, Mesa, AZ (US)

(**) Term: **15 Years**

(21) Appl. No.: **29/636,013**

(22) Filed: **Feb. 5, 2018**

(51) **LOC (12) Cl.** **24-02**

(52) **U.S. Cl.**
USPC **D24/187**

(58) **Field of Classification Search**
USPC D24/110, 137, 144, 147, 133, 186, 187, D24/227, 231; D28/7; D10/60, 78, 80
CPC ... A61B 8/4236; A61B 8/4281; A61B 6/4441; A61B 6/114447; A61N 7/02
See application file for complete search history.

(56) **References Cited**

U.S. PATENT DOCUMENTS

D498,535 S * 11/2004 Genau D24/186
D564,660 S * 3/2008 Hayashi D24/129

D566,284 S * 4/2008 Kitayama D10/60
D603,520 S * 11/2009 Ninomiya D24/187
D637,287 S * 5/2011 Mudd D24/133
D656,610 S * 3/2012 Kleiner D24/133
D700,343 S * 2/2014 Liu D24/186
D700,969 S * 3/2014 Kim D24/187
D811,605 S * 2/2018 Chang D24/187
D829,329 S * 9/2018 Quam D24/186

(Continued)

Primary Examiner — Susan Bennett Hattan

Assistant Examiner — Omeed Agilee

(74) *Attorney, Agent, or Firm* — Knobbe Martens Olson & Bear LLP

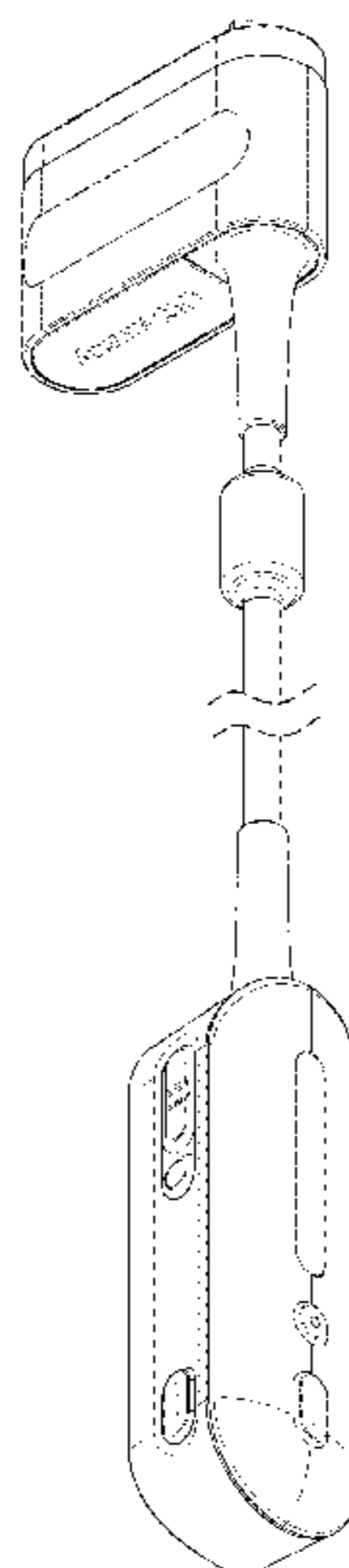
(57) **CLAIM**

The ornamental design for an ultrasound therapeutic treatment handpiece, as shown and described.

DESCRIPTION

FIG. 1 is a top right perspective view of an ultrasound therapeutic treatment handpiece showing the new design. FIG. 2 is a bottom left perspective view thereof. FIG. 3 is a top view thereof. FIG. 4 is a bottom view. FIG. 5 is a left view. FIG. 6 is a right view. FIG. 7 is an enlarged front view. FIG. 8 is an enlarged rear view. FIG. 9 is an enlarged view of box 9 in FIG. 2; and, FIG. 10 is an enlarged view of box 10 in FIG. 4. The shorter and lighter dash lines in the drawings depict portions of the ultrasound therapeutic treatment handpiece that form no part of the claimed design. The broken away symbols in the middle of the cord in FIGS. 1-6, 9, and 10 and any portion of the article beyond what is shown forms no part of the claimed design. The dot dash lines in the drawings depict the boundaries of the enlarged views that form no part of the claimed design.

1 Claim, 10 Drawing Sheets



(56)

References Cited

U.S. PATENT DOCUMENTS

D835,283 S * 12/2018 Barker D24/186
D835,285 S * 12/2018 Barker D24/186
D835,292 S * 12/2018 Luzon D24/216

* cited by examiner

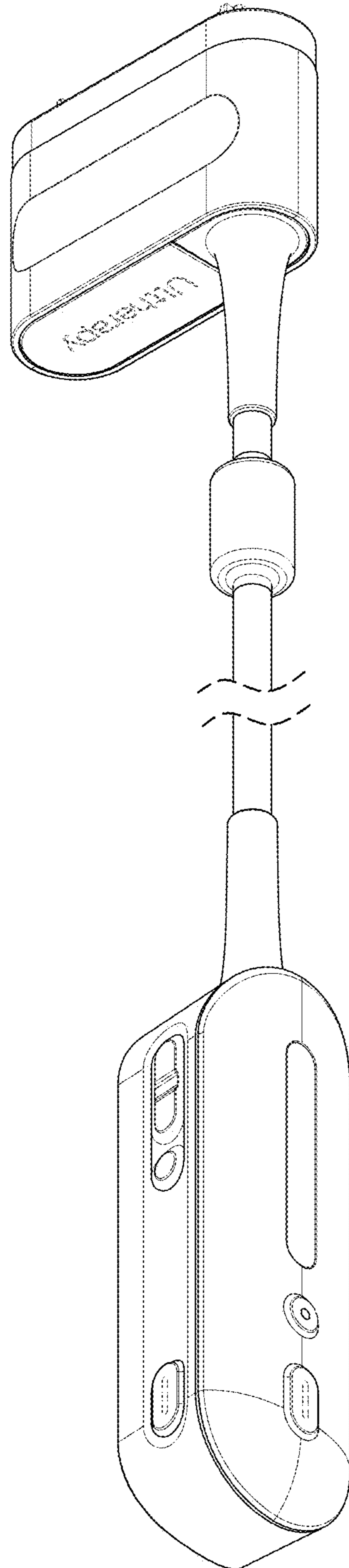


FIG. 1

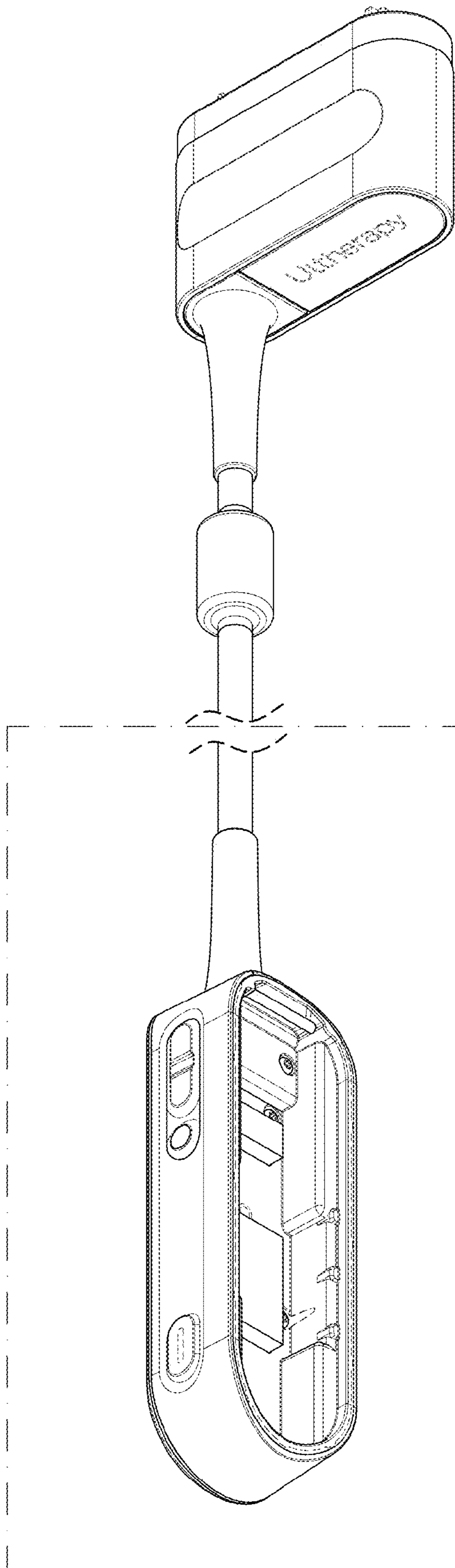


FIG. 2

9

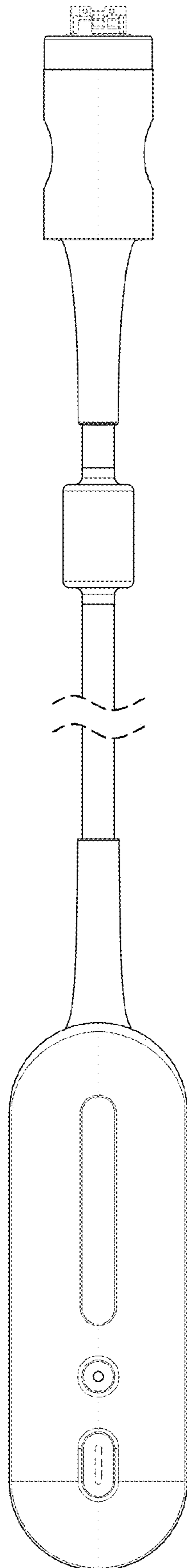
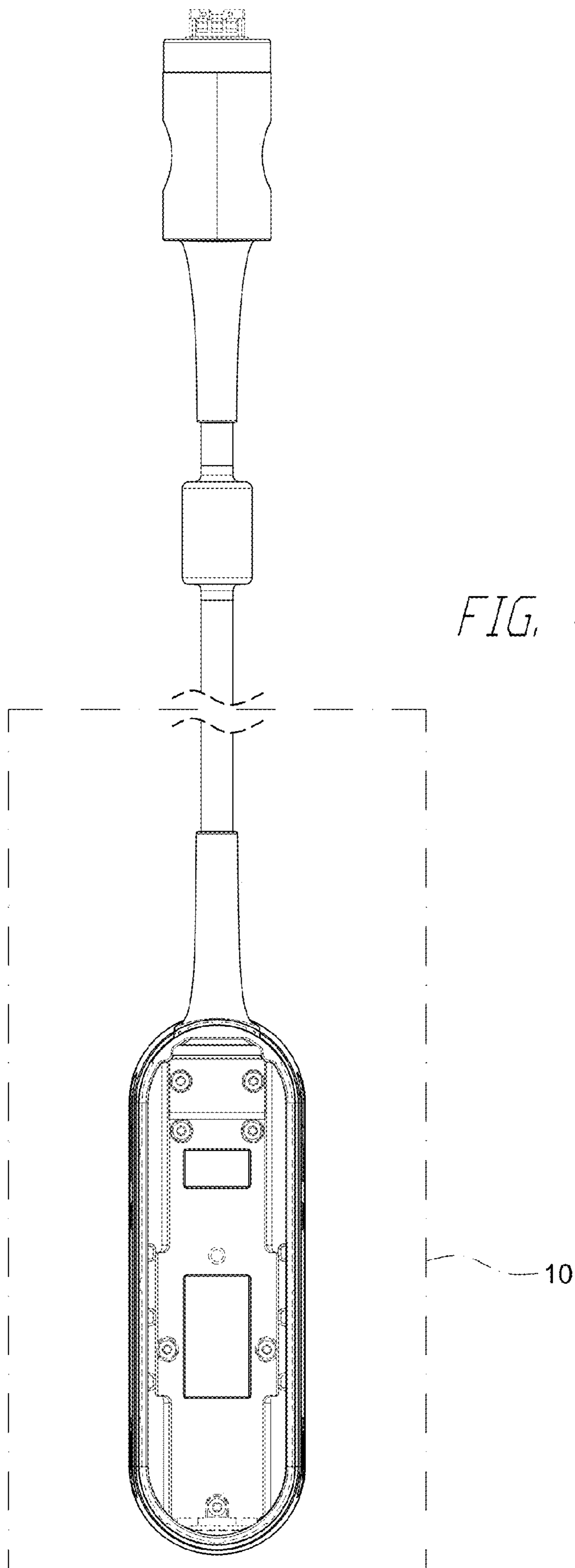


FIG. 3



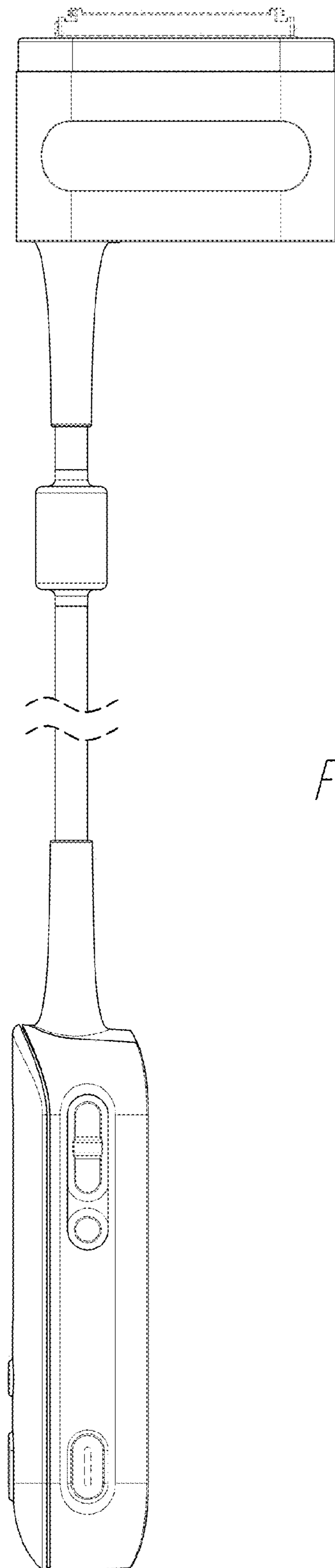


FIG. 5

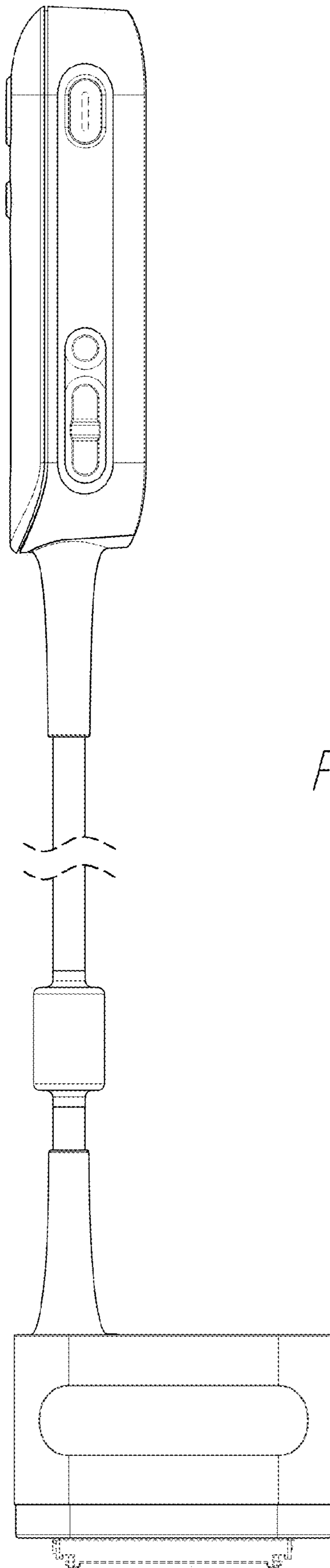


FIG. 6

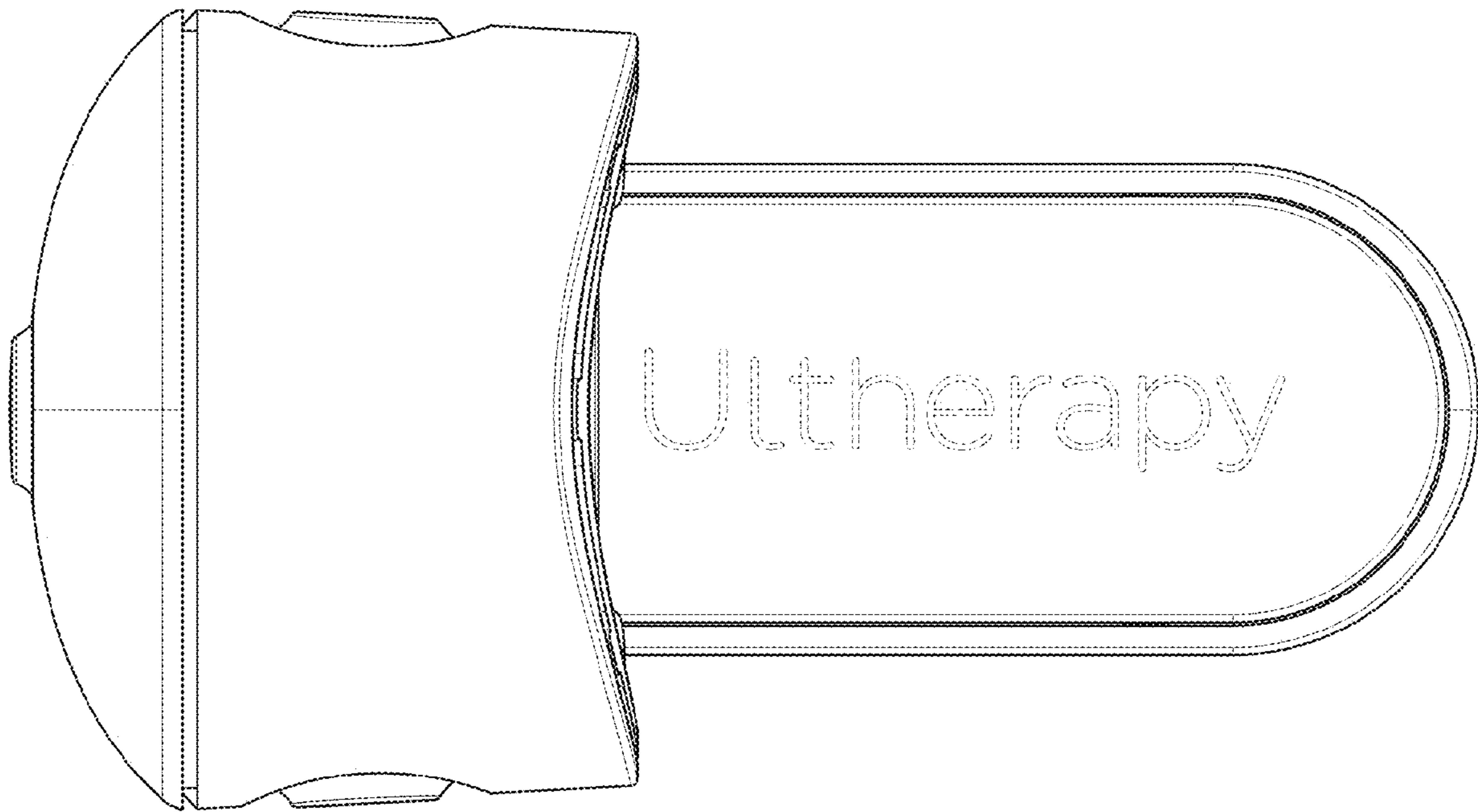


FIG. 7

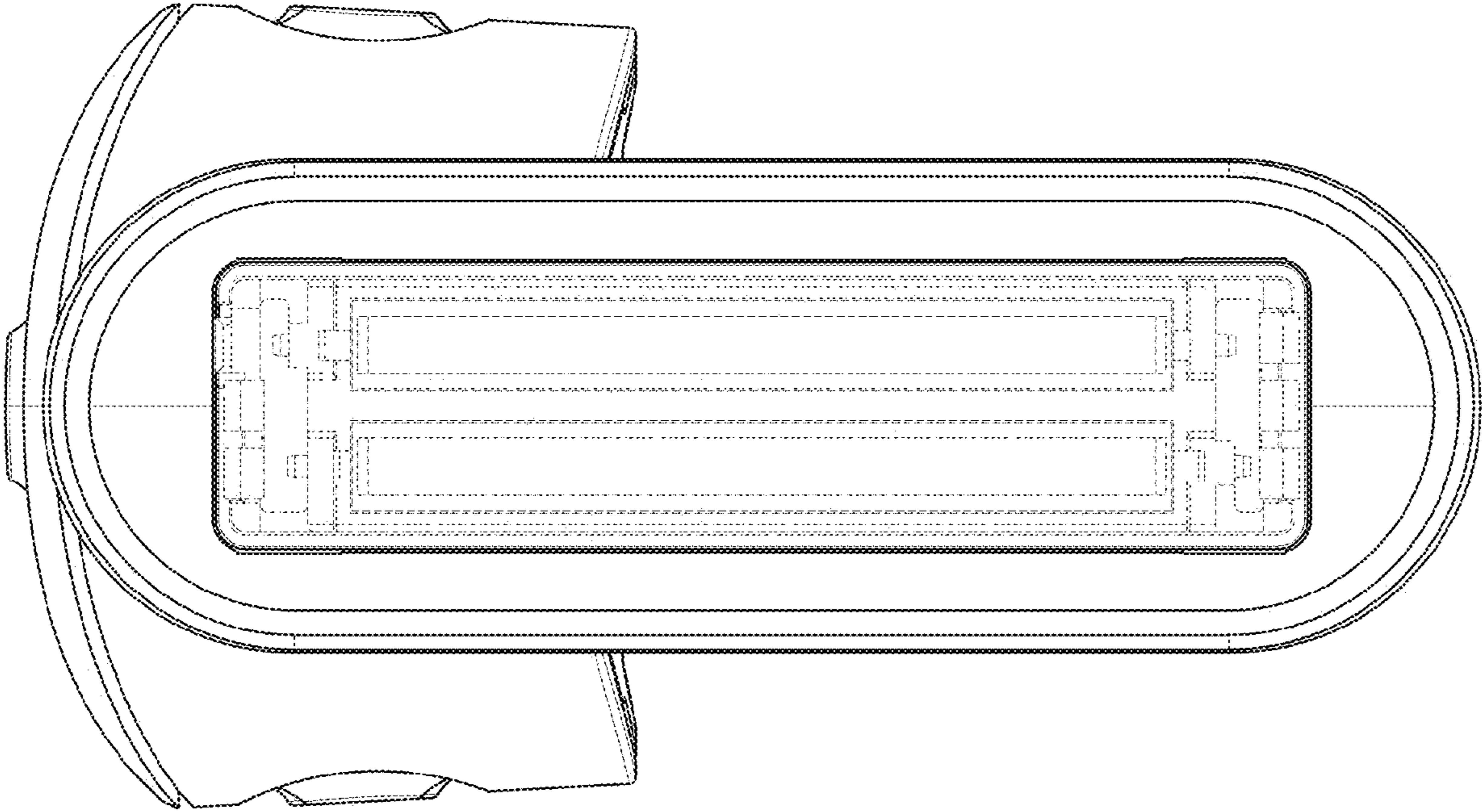


FIG. 8

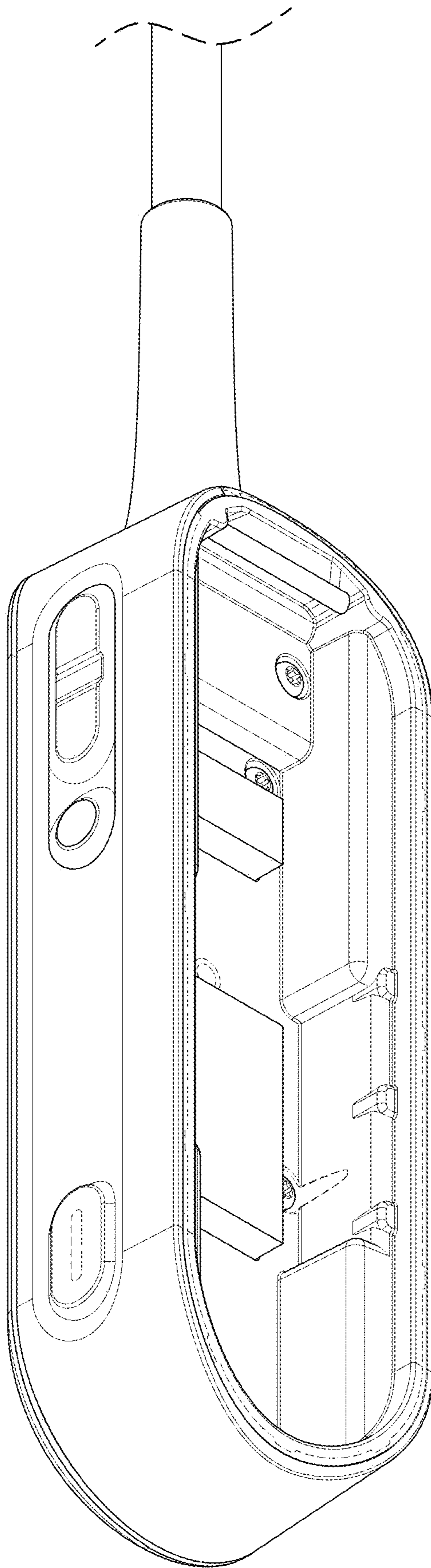


FIG. 9

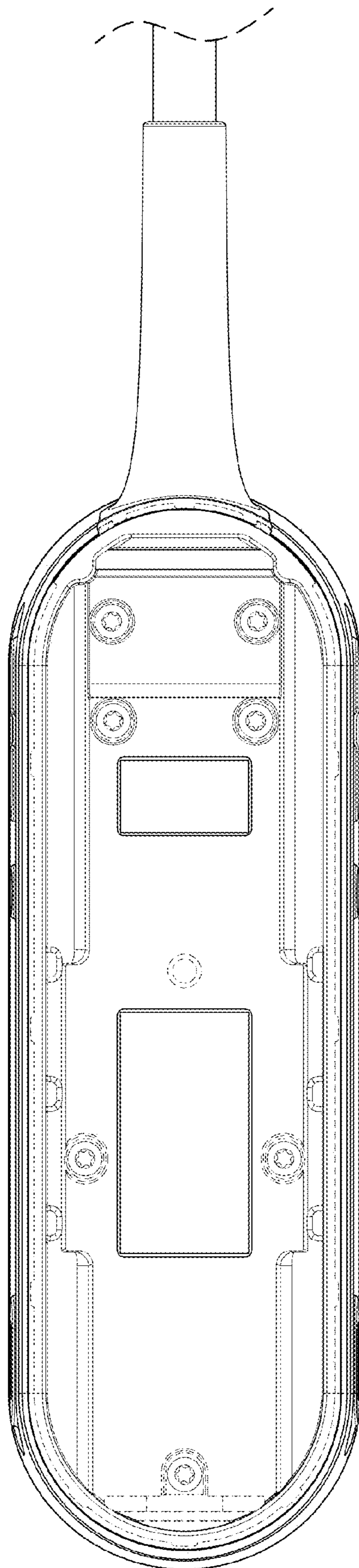


FIG. 10