



US00D880700S

(12) **United States Design Patent** (10) **Patent No.:** **US D880,700 S**
Sun et al. (45) **Date of Patent:** **** Apr. 7, 2020**

(54) **MEDICAL IMAGING STAND AND RAIL SYSTEM**

(71) Applicant: **Siemens Healthcare GmbH**, Erlangen (DE)

(72) Inventors: **Tao Sun**, Shanghai (CN); **Rong Qing Huang**, Shanghai (CN); **Gerben Ten Cate**, Forchheim (DE); **Moritz Ludwig Graefelfing** (DE); **Sichao Jin**, Shanghai (CN)

(73) Assignee: **Siemens Healthcare GmbH**, Erlangen (DE)

(**) Term: **15 Years**

(21) Appl. No.: **29/668,026**

(22) Filed: **Oct. 26, 2018**

(30) **Foreign Application Priority Data**

Apr. 28, 2018 (CN) 2018 3 0187418

(51) **LOC (12) Cl.** **24-01**

(52) **U.S. Cl.**
USPC **D24/158**

(58) **Field of Classification Search**
USPC D24/158-161, 185, 186, 107, 152, 176, D24/177
CPC A61B 6/035; A61B 6/4405; A61B 6/4411; A61B 6/4429; A61B 6/4435; A61B 6/4441; A61B 6/4447; A61B 6/484
See application file for complete search history.

(56) **References Cited**

U.S. PATENT DOCUMENTS

5,469,492 A * 11/1995 Burbury A61B 6/4429 378/167
6,282,264 B1 * 8/2001 Smith A61B 6/0457 378/167

7,949,094 B2 * 5/2011 Ahn A61B 6/447 378/197
D683,021 S * 5/2013 Moon D24/158
D713,036 S * 9/2014 Sul D24/158
D715,441 S * 10/2014 Li D24/158
D715,938 S * 10/2014 Li D24/158
D715,941 S * 10/2014 Li D24/158
D767,139 S * 9/2016 Liu D24/158
D767,144 S * 9/2016 Lin D24/158
D767,765 S * 9/2016 Lin D24/158
2016/0073985 A1 * 3/2016 Moon A61B 6/447 378/181

* cited by examiner

Primary Examiner — Anhdao Doan

(74) *Attorney, Agent, or Firm* — Schiff Hardin LLP

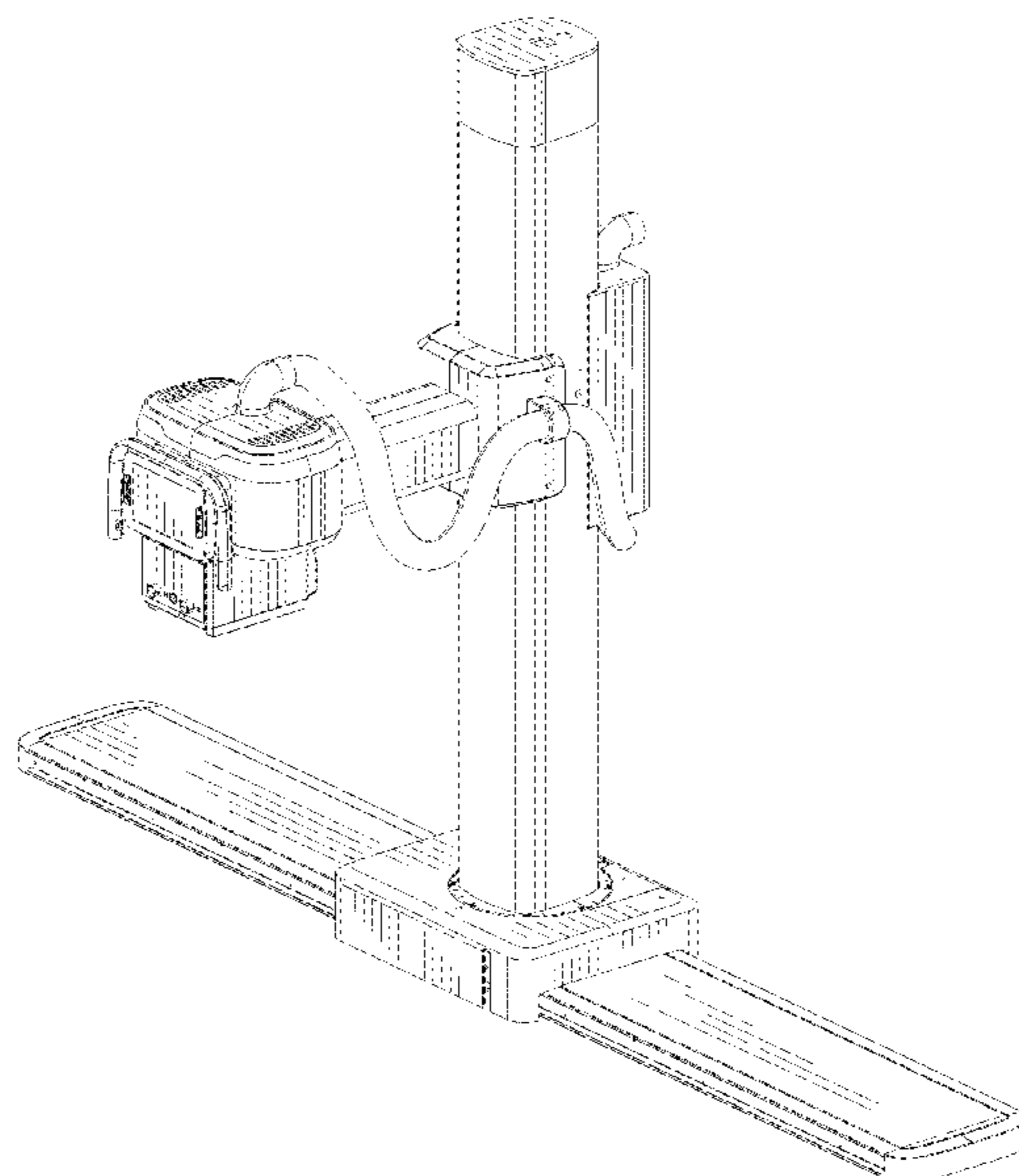
(57) **CLAIM**

The ornamental design for a medical imaging stand and rail system, as shown and described.

DESCRIPTION

FIG. 1 is a front view of a medical imaging stand and rail system showing our new design;
FIG. 2 is a back elevational view thereof;
FIG. 3 is a top plan view thereof;
FIG. 4 is a bottom plan view thereof;
FIG. 5 is a right side elevational view thereof;
FIG. 6 is a left side elevational view thereof;
FIG. 7 is a perspective view taken generally from the upper, front, right-hand side thereof; and,
FIG. 8 is a perspective view taken generally from the upper, front, right-hand side thereof showing the stand in an alternative lateral position along the rail, the medical imaging device at an alternative height, and the stand being in a rotated position.

1 Claim, 7 Drawing Sheets



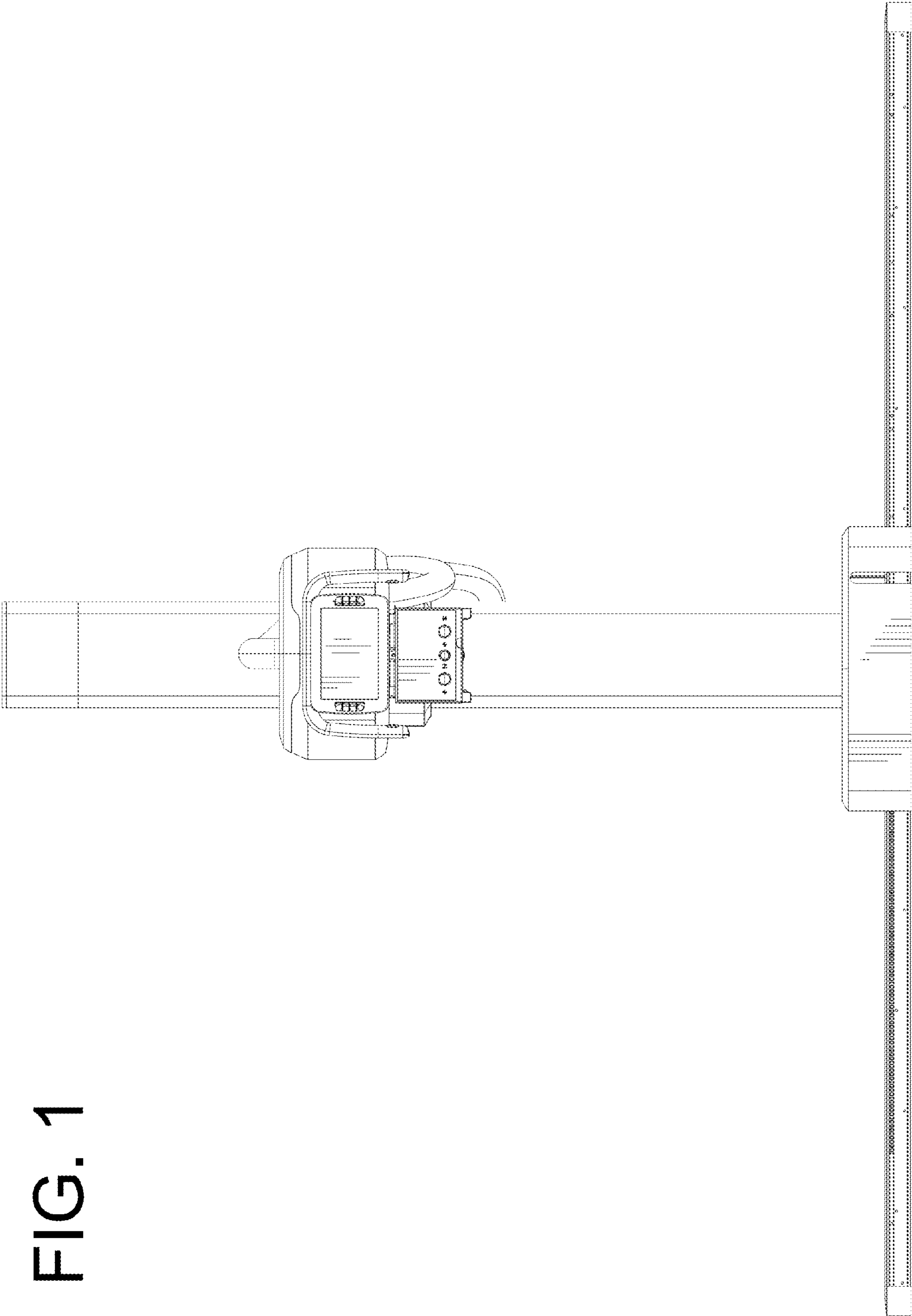


FIG. 1

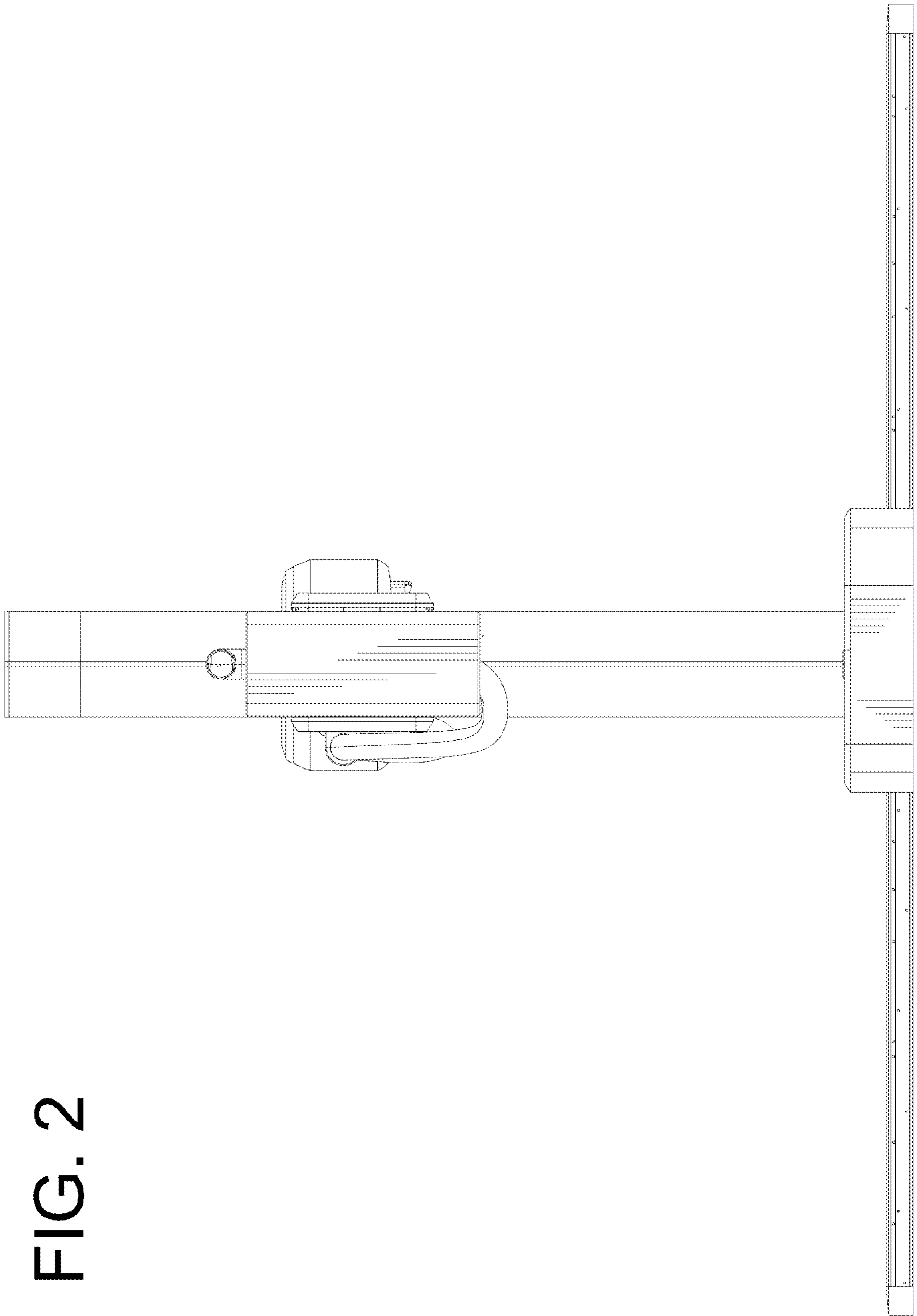


FIG. 2

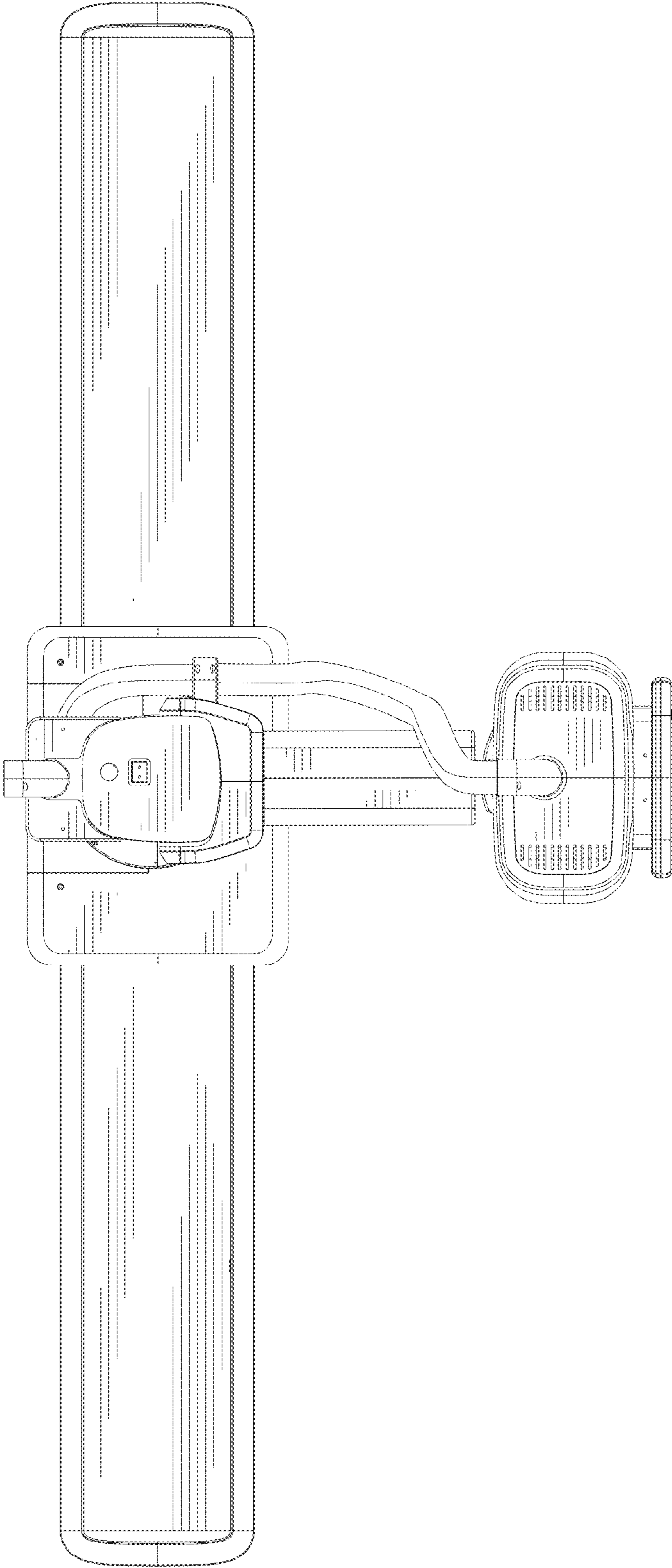


FIG. 3

FIG. 4

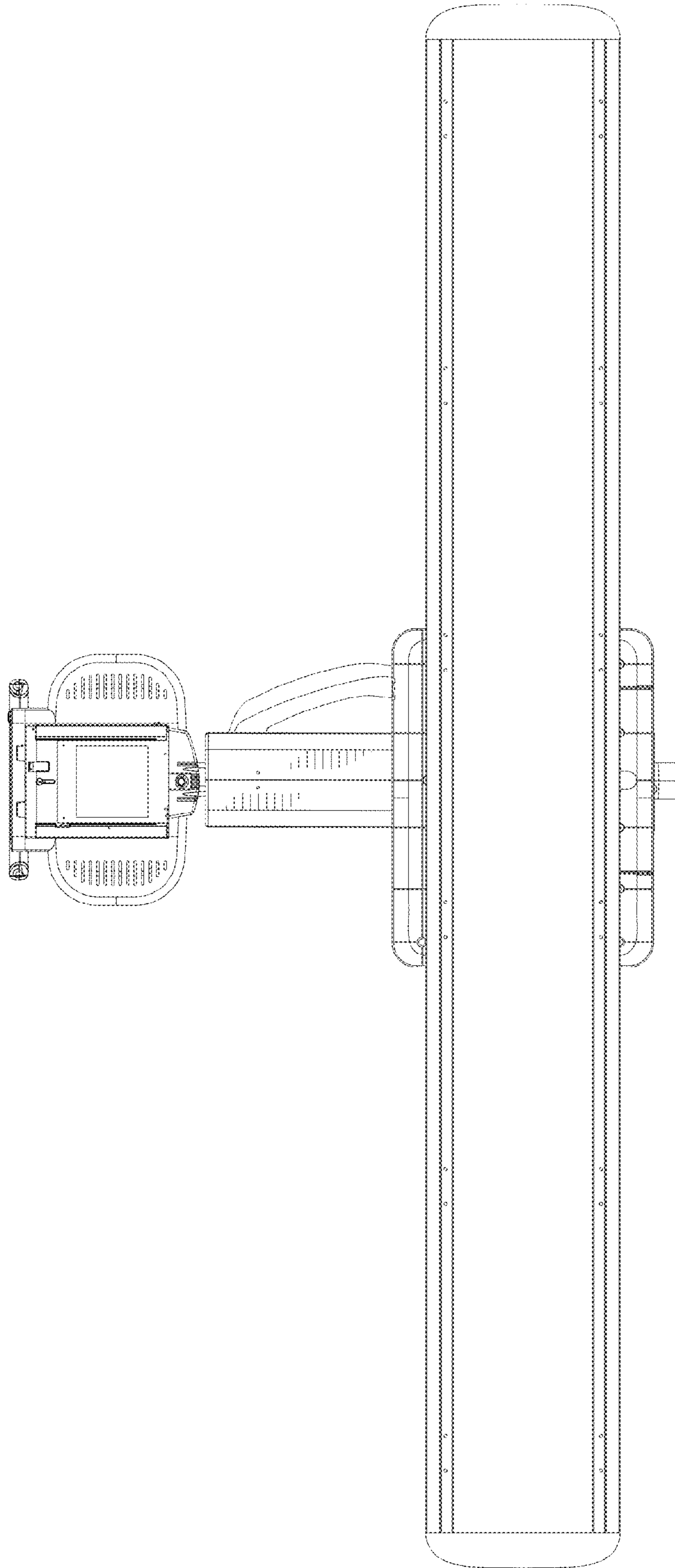


FIG. 6

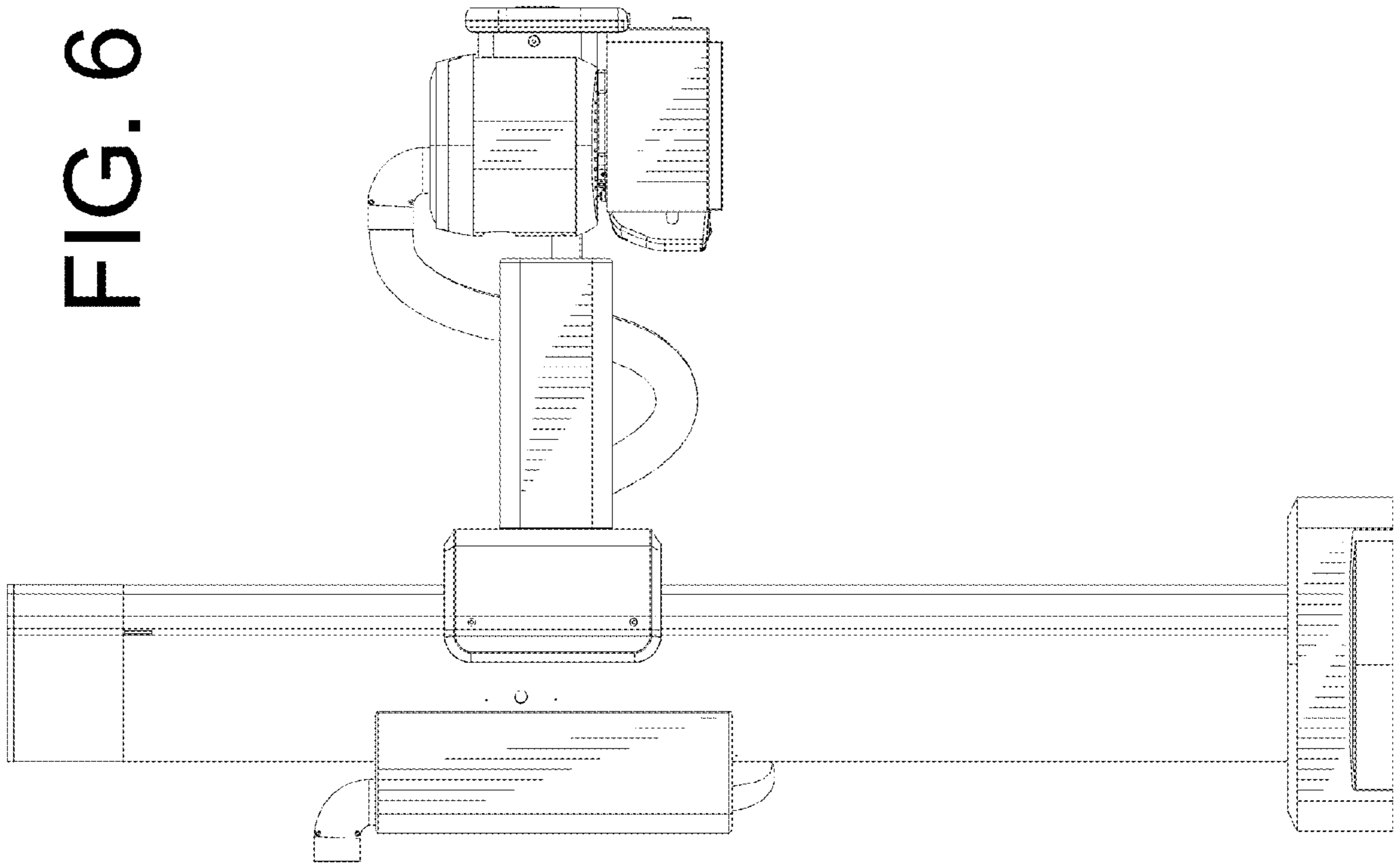
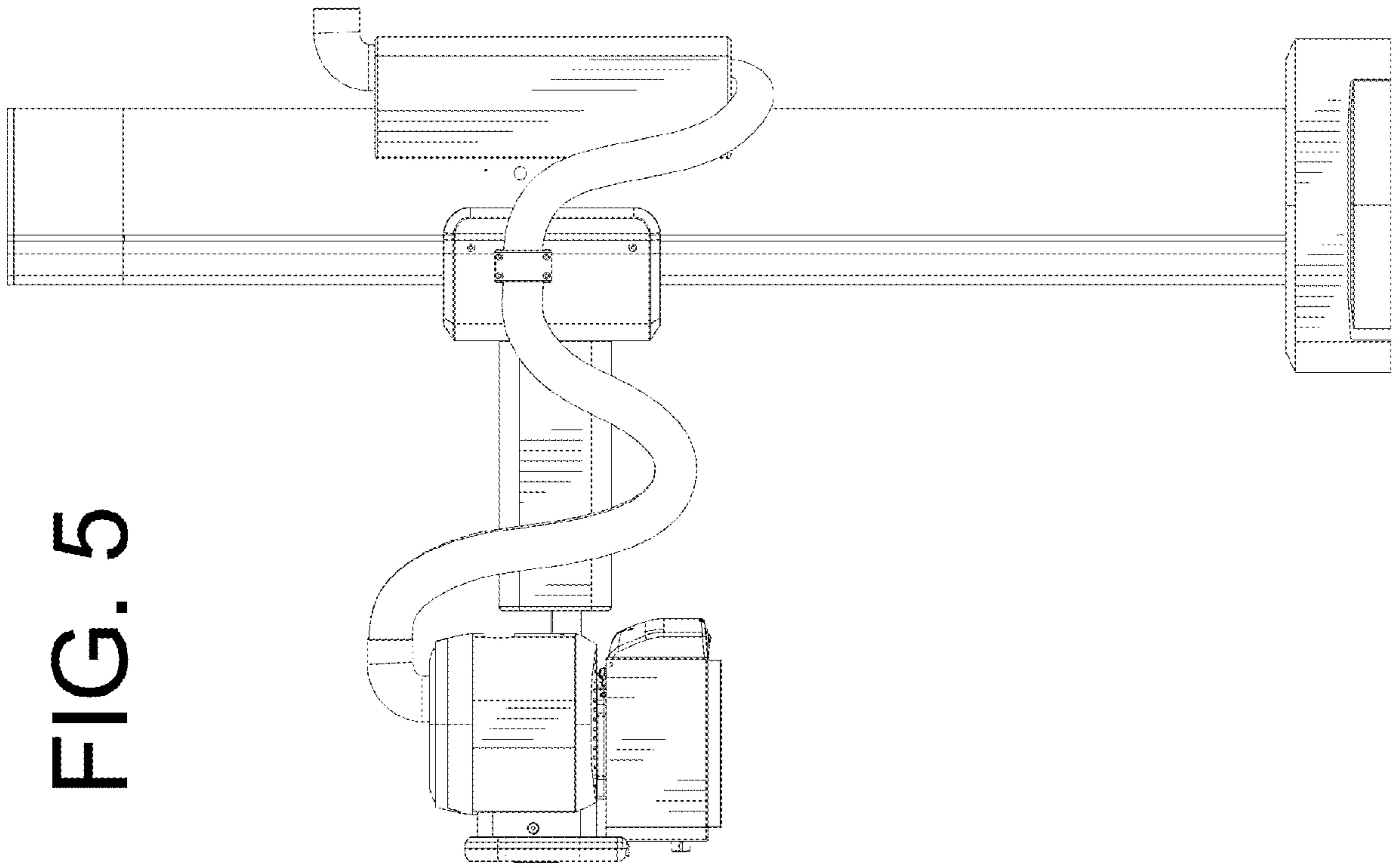


FIG. 5



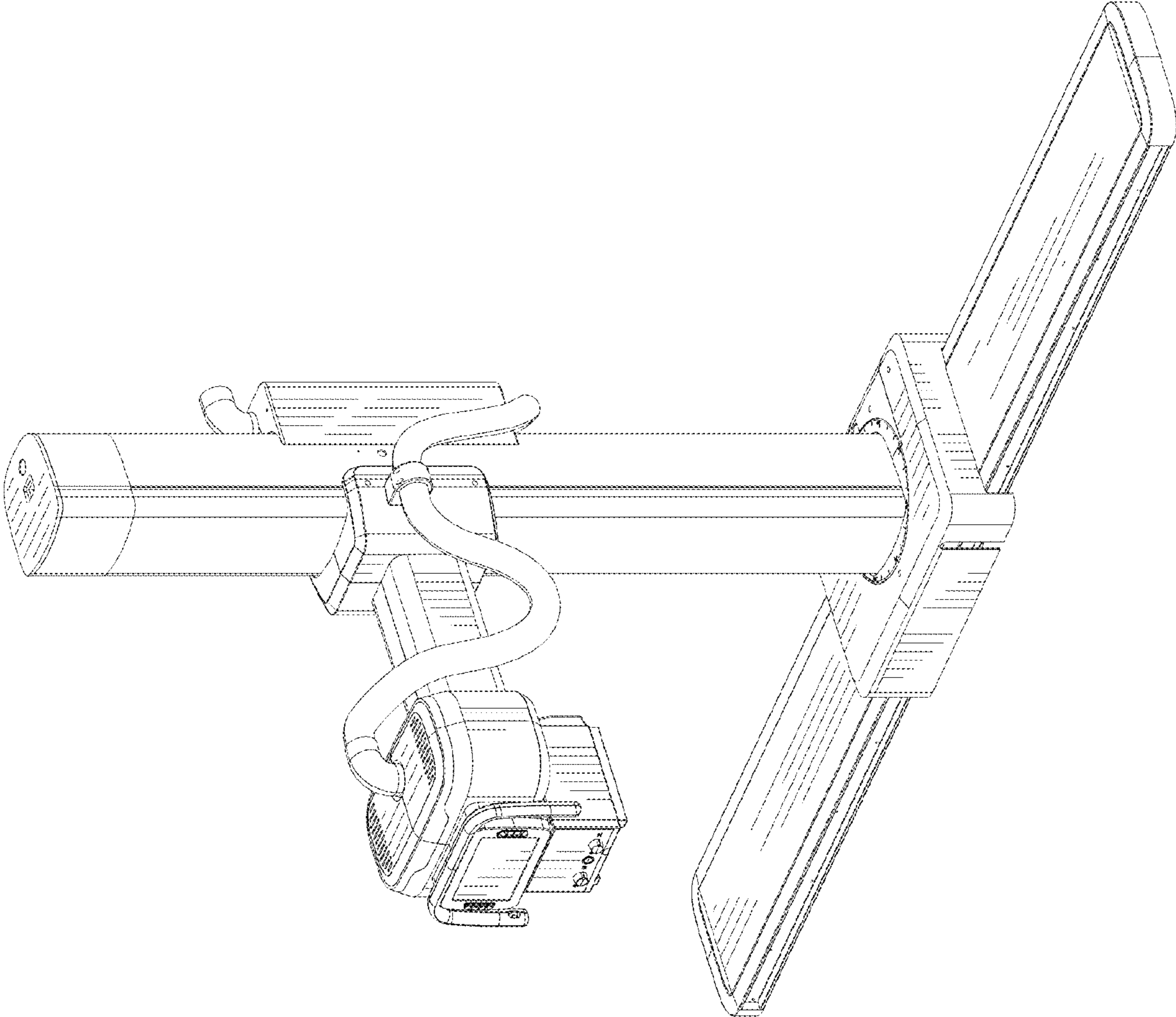


FIG. 7

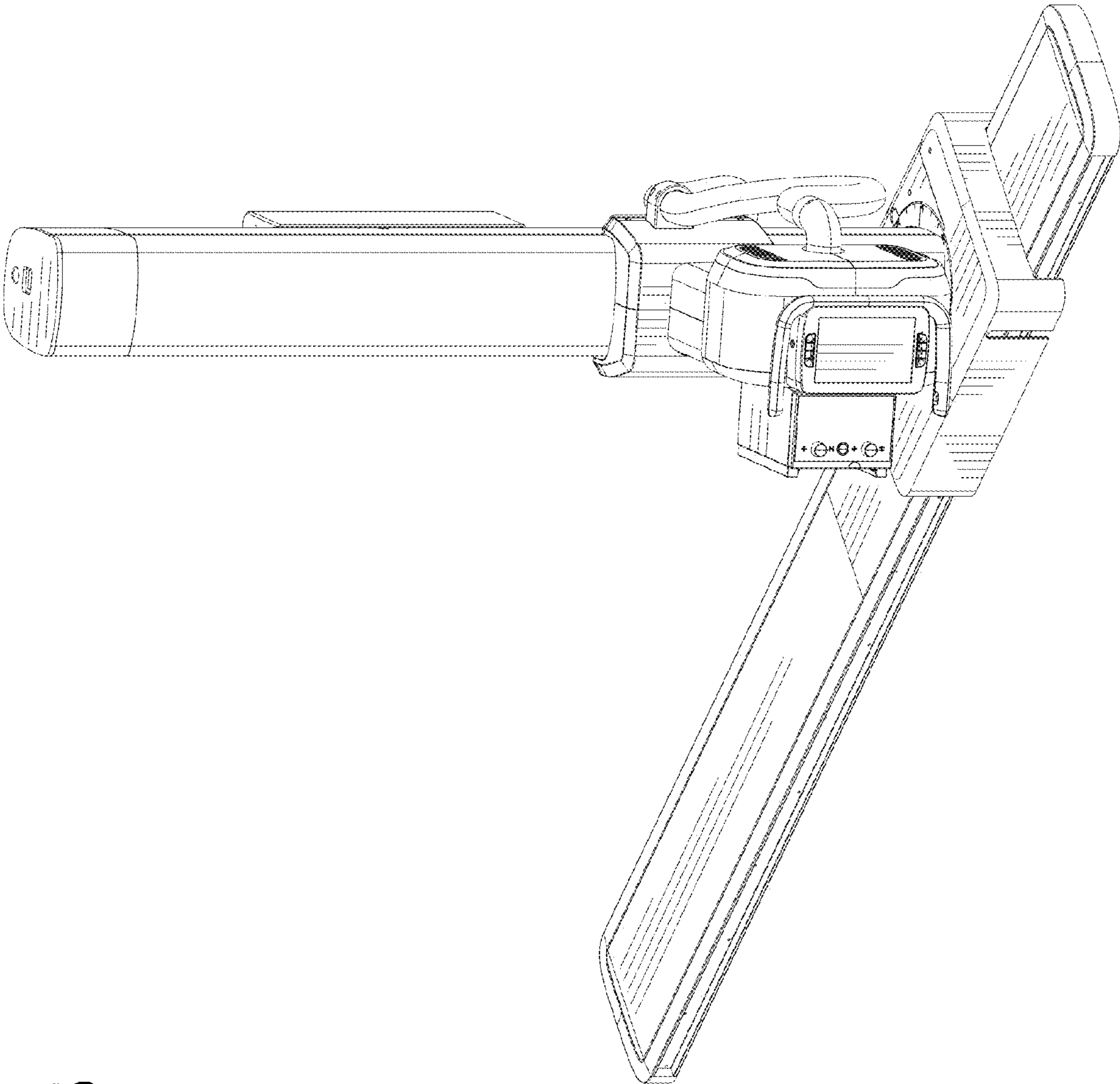


FIG. 8