



US00D880699S

(12) **United States Design Patent**
Sun et al.

(10) **Patent No.:** **US D880,699 S**

(45) **Date of Patent:** **** Apr. 7, 2020**

- (54) **MEDICAL IMAGING STAND**
- (71) Applicant: **Siemens Healthcare GmbH**, Erlangen (DE)
- (72) Inventors: **Tao Sun**, Shanghai (CN); **Gerben Ten Cate**, Forchheim (DE); **Moritz Ludwig**, Graefelfing (DE); **Sichao Jin**, Shanghai (CN)
- (73) Assignee: **Siemens Healthcare GmbH**, Erlangen (DE)

7,949,094 B2 *	5/2011	Ahn	A61B 6/447	378/197
D683,021 S *	5/2013	Moon	D24/158	
D713,036 S *	9/2014	Sul	D24/158	
D715,441 S *	10/2014	Li	D24/158	
D715,938 S *	10/2014	Li	D24/158	
D715,941 S *	10/2014	Li	D24/158	
D767,139 S *	9/2016	Liu	D24/158	
D767,144 S *	9/2016	Lin	D24/158	
D767,765 S *	9/2016	Lin	D24/158	
2016/0073985 A1 *	3/2016	Moon	A61B 6/447	378/181

* cited by examiner

(**) Term: **15 Years**

Primary Examiner — Anhdao Doan

(21) Appl. No.: **29/668,016**

(74) *Attorney, Agent, or Firm* — Schiff Hardin LLP

(22) Filed: **Oct. 26, 2018**

(57) **CLAIM**

(30) **Foreign Application Priority Data**

The ornamental design for a medical imaging stand, as shown and described.

Apr. 28, 2018 (CN) 2018 3 0188679

(51) **LOC (12) Cl.** **24-01**

(52) **U.S. Cl.**
USPC **D24/158**

(58) **Field of Classification Search**
USPC D24/158-161, 185, 186, 107, 152, 176,
D24/177

CPC A61B 6/035; A61B 6/4405; A61B 6/4411;
A61B 6/4429; A61B 6/4435; A61B
6/4441; A61B 6/4447; A61B 6/484

See application file for complete search history.

(56) **References Cited**

U.S. PATENT DOCUMENTS

5,469,492 A *	11/1995	Burbury	A61B 6/4429	378/167
6,282,264 B1 *	8/2001	Smith	A61B 6/0457	378/167

DESCRIPTION

FIG. 1 is a front view of a medical imaging stand showing our new design;

FIG. 2 is a back elevational view thereof;

FIG. 3 is a top plan view thereof;

FIG. 4 is a bottom plan view thereof;

FIG. 5 is a right side elevational view thereof;

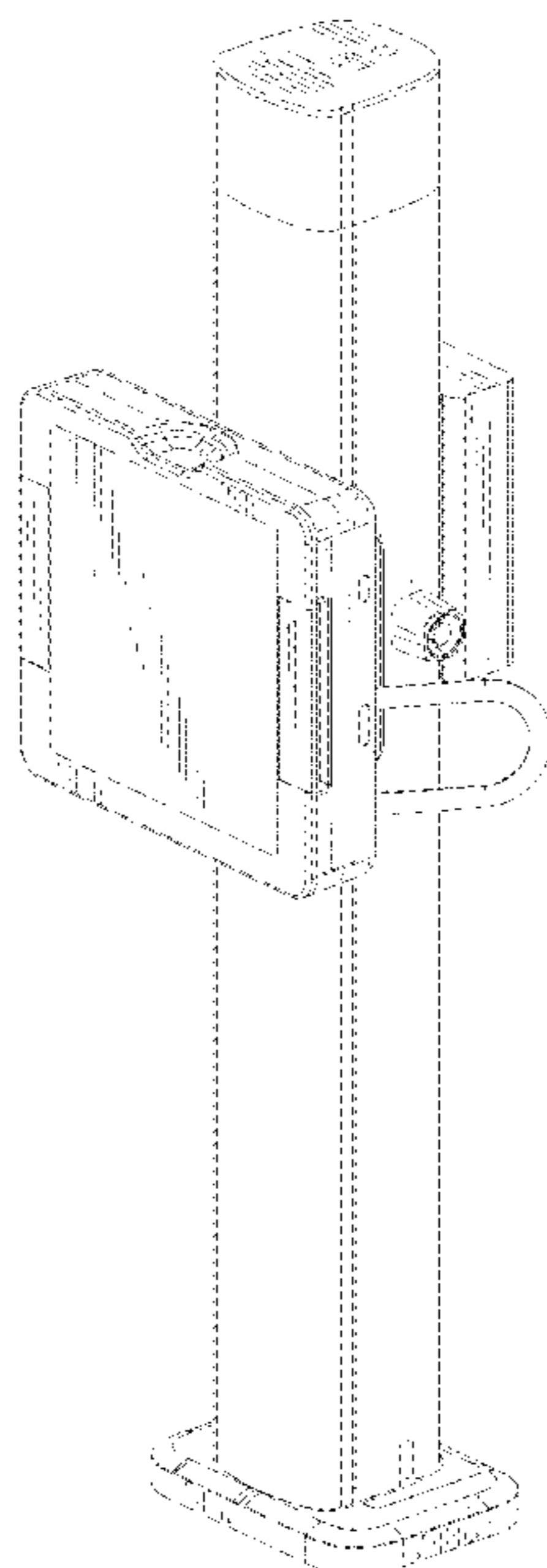
FIG. 6 is a left side elevational view thereof;

FIG. 7 is a perspective view taken generally from the upper, front, right-hand side thereof; and,

FIG. 8 is a perspective view taken generally from the upper, front, right-hand side thereof showing a bucky supported by the stand in an alternative vertical position along the stand.

The broken lines shown in the drawings represent portions of the medical imaging stand that form no part of the claimed design.

1 Claim, 7 Drawing Sheets



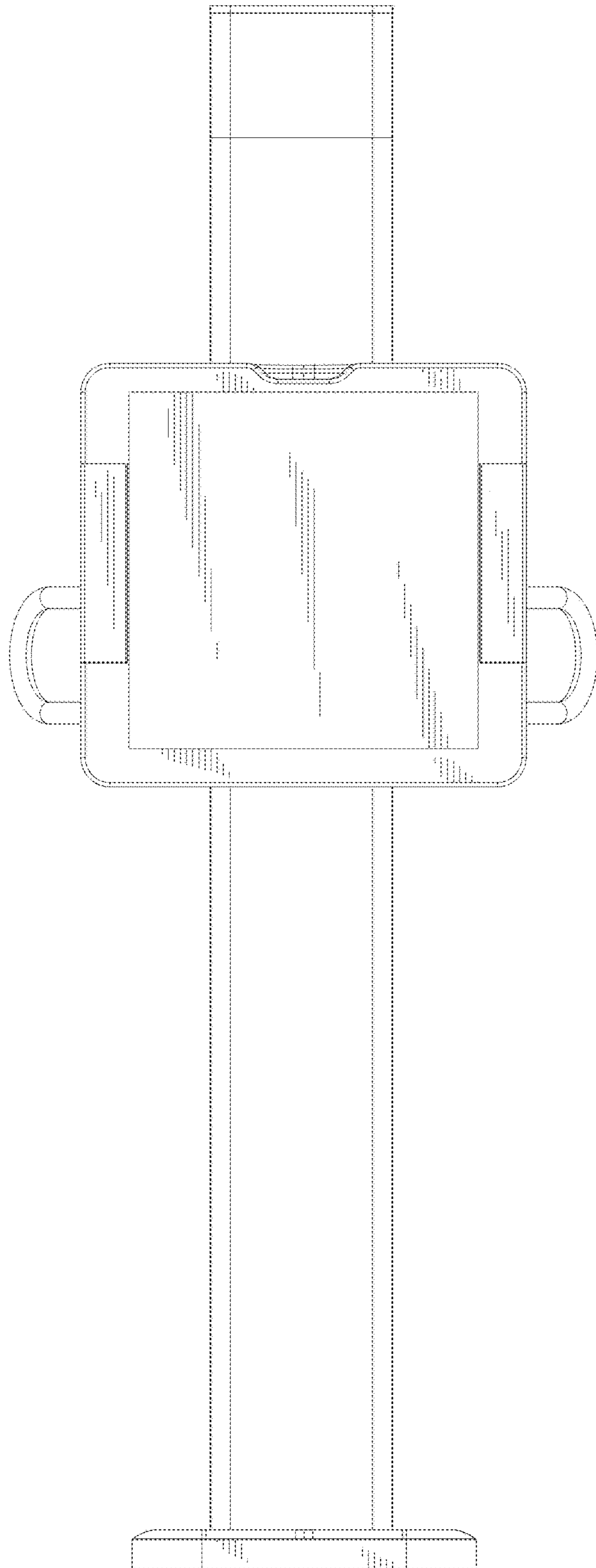


FIG. 1

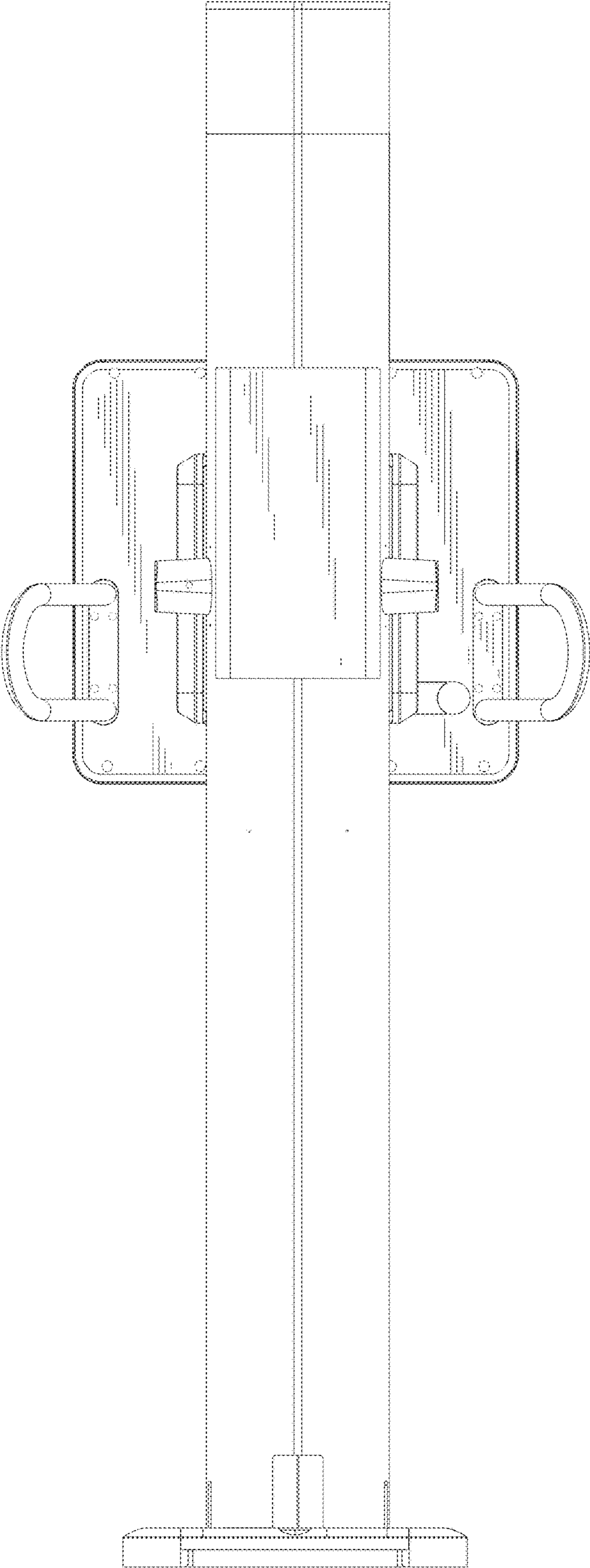


FIG. 2

FIG. 3

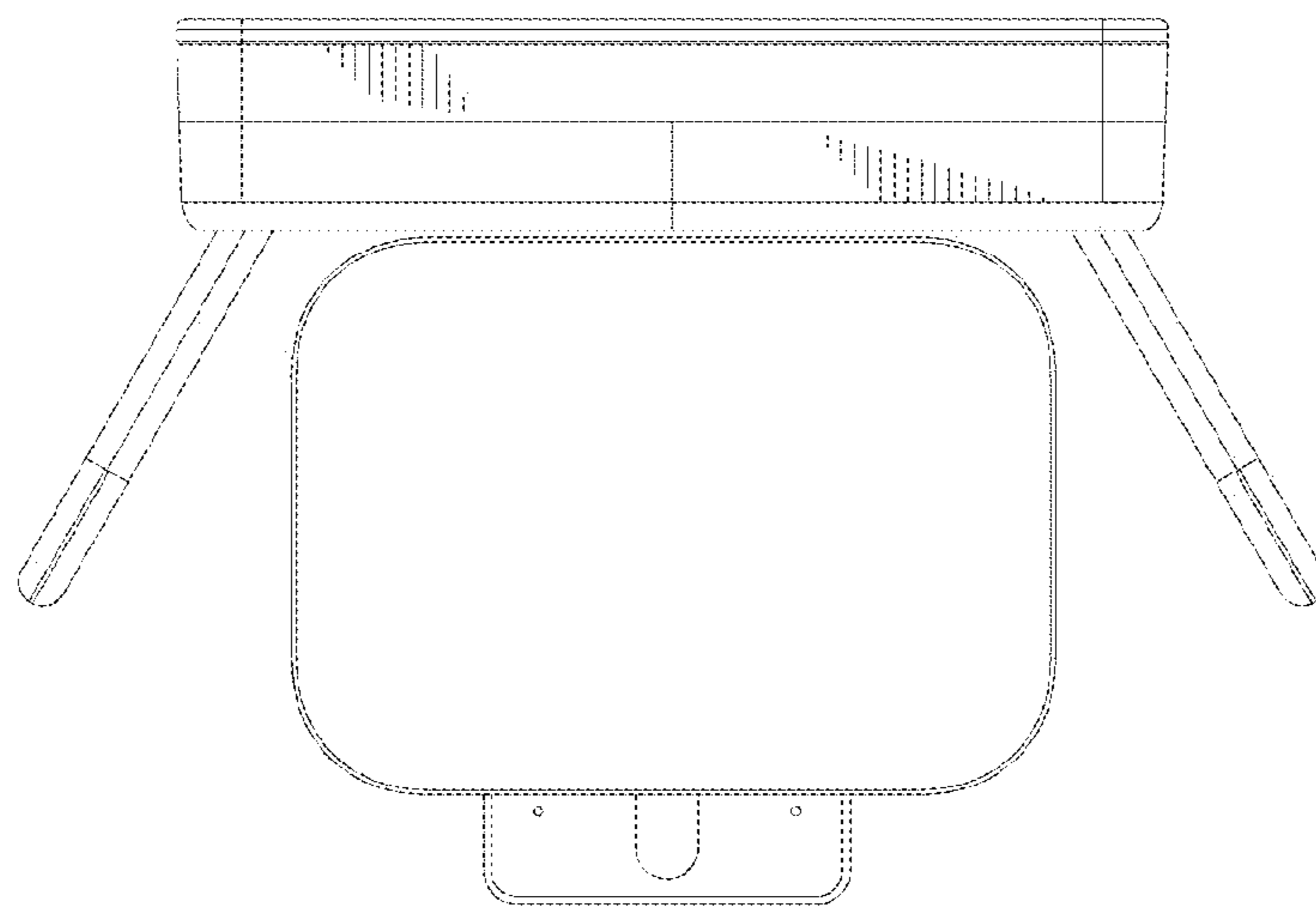
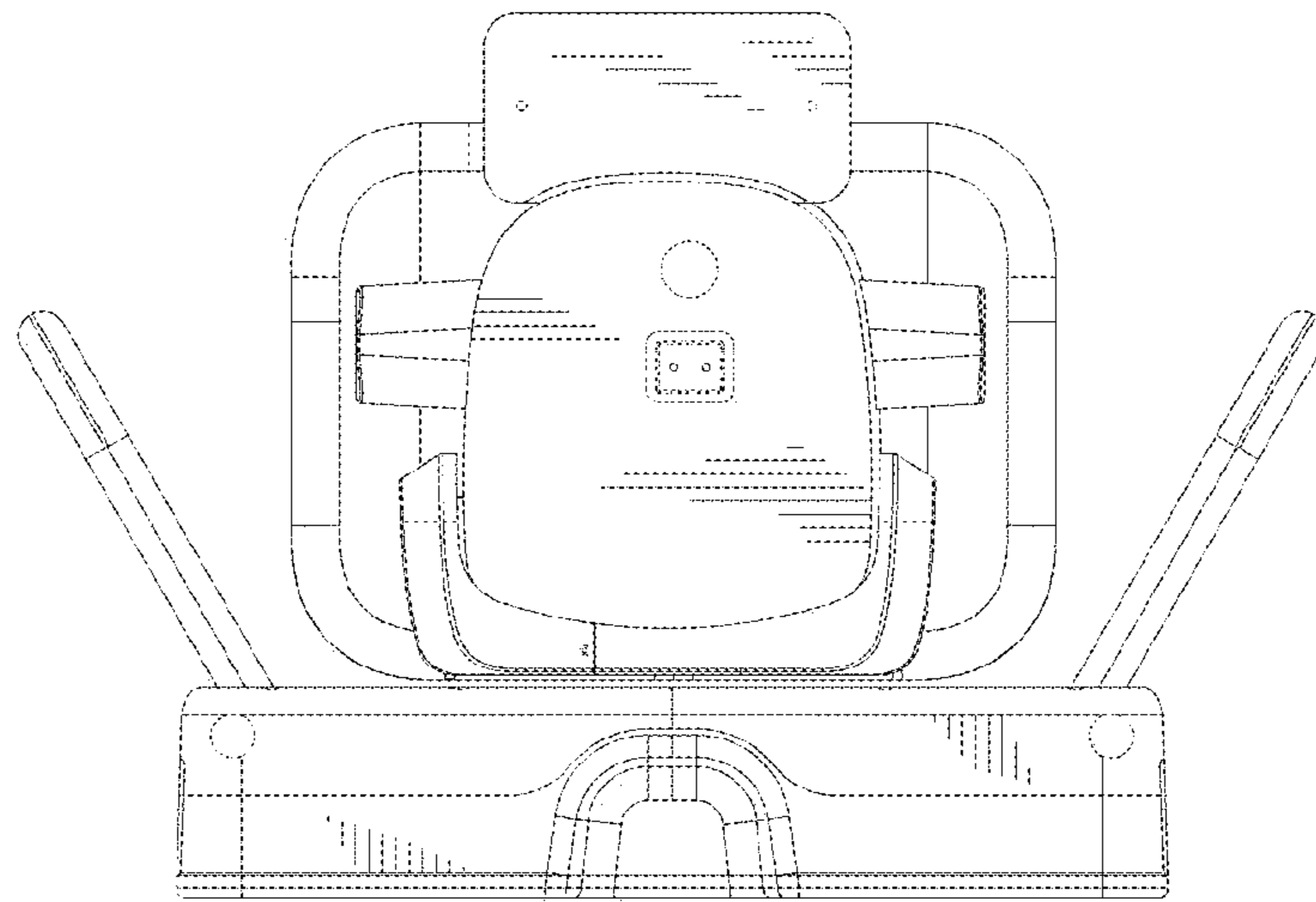


FIG. 4

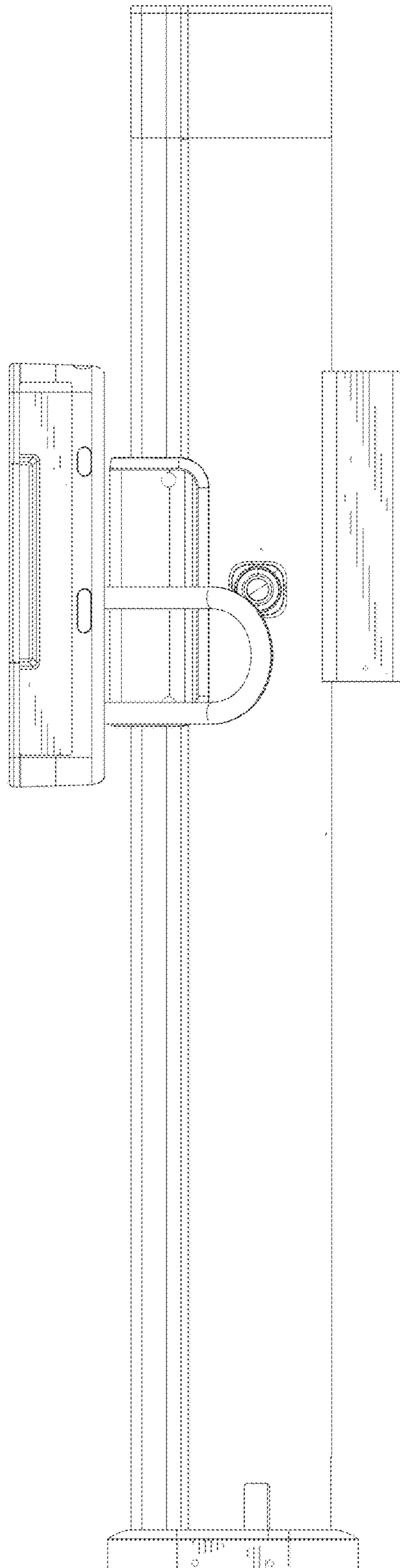


FIG. 5

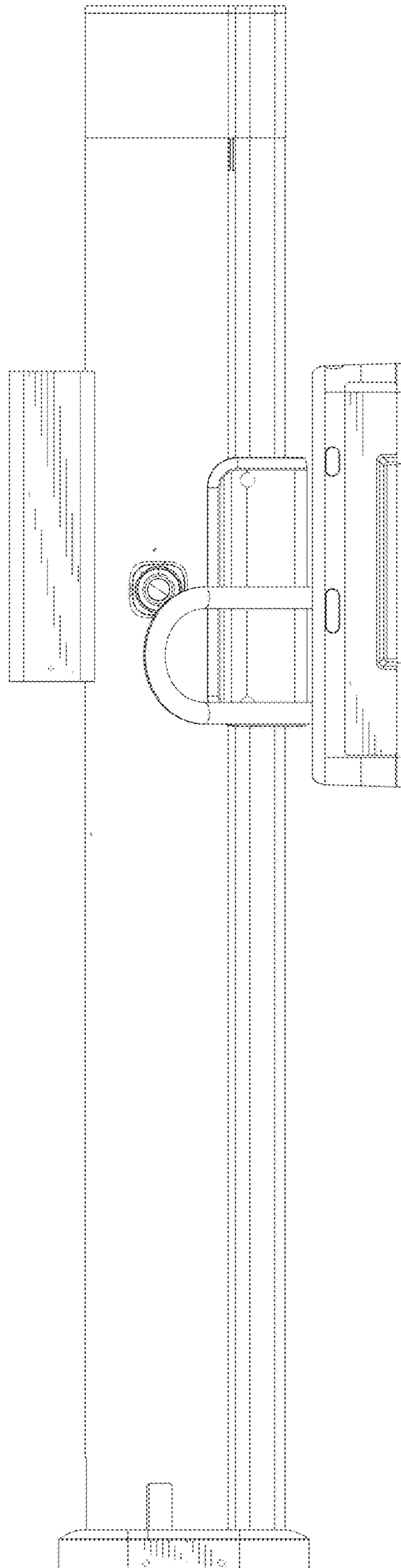


FIG. 6

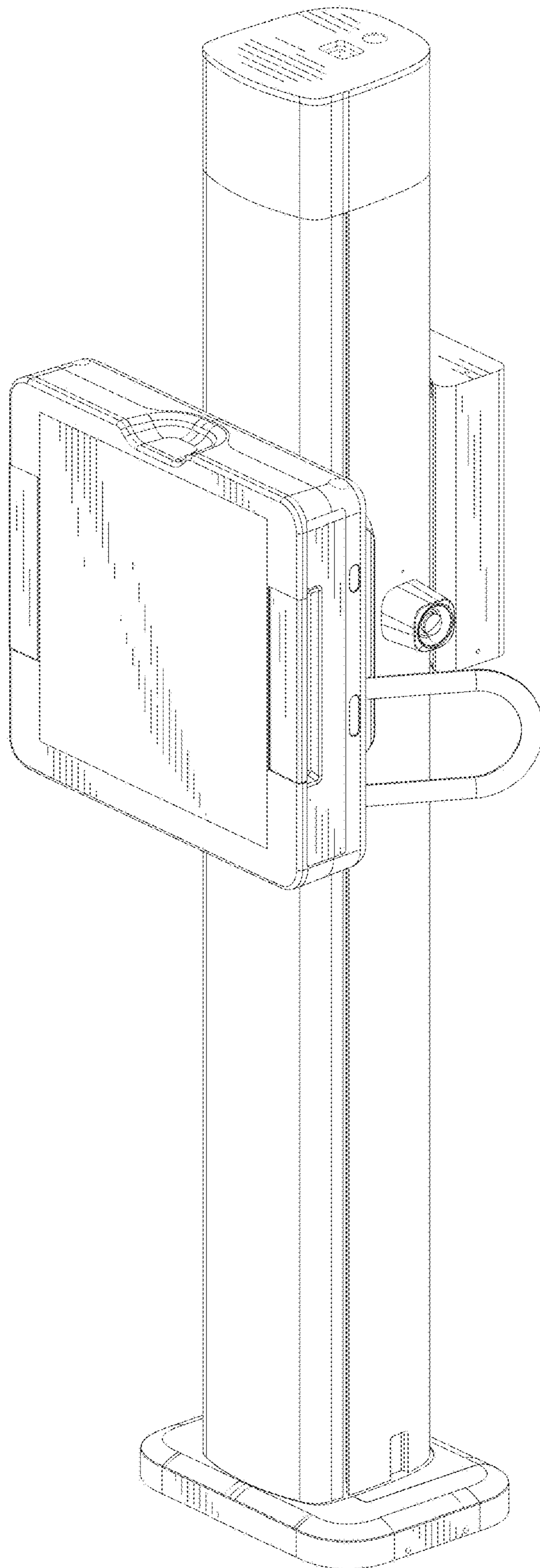


FIG. 7

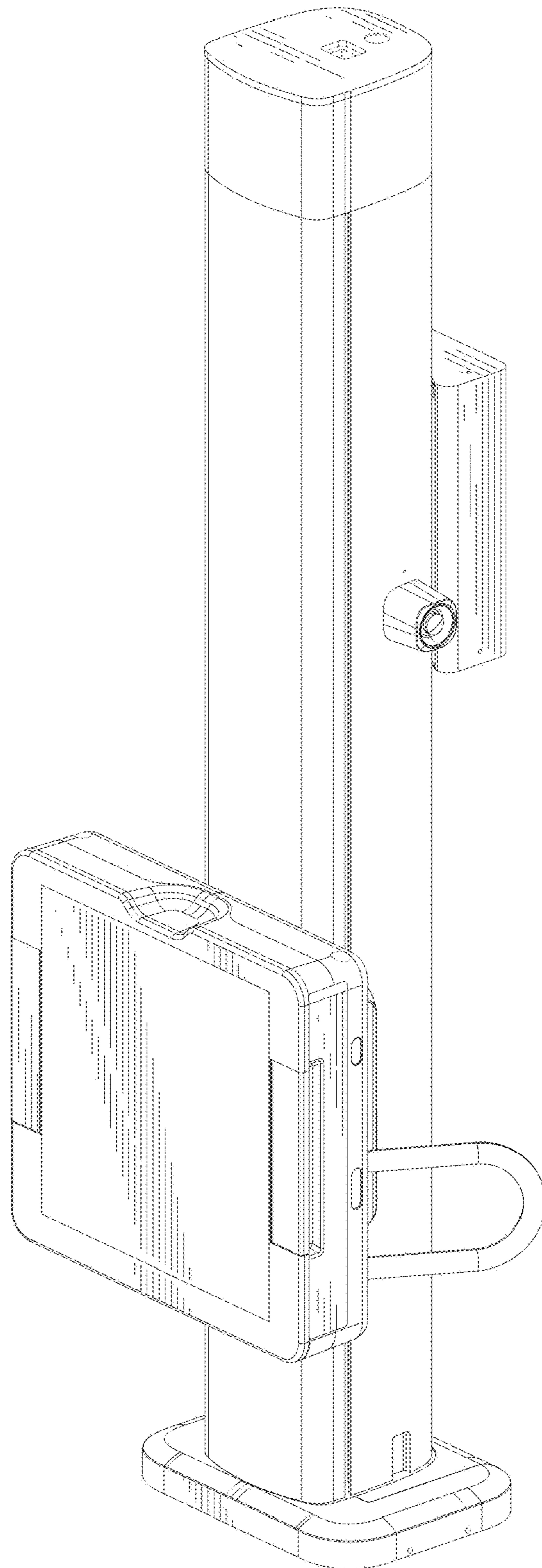


FIG. 8