



US00D880698S

(12) **United States Design Patent** (10) **Patent No.:** **US D880,698 S**  
**Miwa et al.** (45) **Date of Patent:** **\*\* Apr. 7, 2020**

(54) **COVER FOR CANCER CELL OBSERVATION CAMERA**

(71) Applicant: **HAMAMATSU PHOTONICS K.K.**,  
Hamamatsu-shi, Shizuoka (JP)

(72) Inventors: **Mitsuharu Miwa**, Hamamatsu (JP);  
**Takahiro Shikayama**, Hamamatsu (JP)

(73) Assignee: **HAMAMATSU PHOTONICS K.K.**,  
Hamamatsu-shi, Shizuoka (JP)

(\*\*) Term: **15 Years**

(21) Appl. No.: **29/649,942**

(22) Filed: **Jun. 4, 2018**

**Related U.S. Application Data**

(62) Division of application No. 29/577,571, filed on Sep. 14, 2016, now Pat. No. Des. 822,209.

(30) **Foreign Application Priority Data**

Mar. 15, 2016 (JP) ..... 2016-005639  
Mar. 15, 2016 (JP) ..... 2016-005640  
(Continued)

(51) **LOC (12) Cl.** ..... **24-01**

(52) **U.S. Cl.**  
USPC ..... **D24/158**

(58) **Field of Classification Search**  
USPC ..... D24/158-160, 186, 107, 137, 185, 187,  
D24/172; D10/78, 81; D16/218-220  
(Continued)

(56) **References Cited**

**U.S. PATENT DOCUMENTS**

3,609,355 A 9/1971 Schwarzer  
D244,059 S 4/1977 De Lucia et al.  
(Continued)

*Primary Examiner* — Anhdao Doan

(74) *Attorney, Agent, or Firm* — Faegre Drinker Biddle & Reath LLP

(57) **CLAIM**

The ornamental design for a cover for cancer cell observation camera, as shown and described.

**DESCRIPTION**

FIG. 1 is a front view of a cover for cancer cell observation camera of the present invention.

FIG. 2 is a rear view of the cover for cancer cell observation camera of FIG. 1.

FIG. 3 is a top plan view of the cover for cancer cell observation camera of FIG. 1.

FIG. 4 is a bottom plan view of the cover for cancer cell observation camera of FIG. 1.

FIG. 5 is a right side view of the cover for cancer cell observation camera of FIG. 1.

FIG. 6 is a left side view of the cover for cancer cell observation camera of FIG. 1.

FIG. 7 is a perspective view showing the top of the cover for cancer cell observation camera of FIG. 1.

FIG. 8 is a perspective view showing the bottom of the cover for cancer cell observation camera of FIG. 1.

FIG. 9 is a sectional view taken along line 9-9 of FIG. 1.

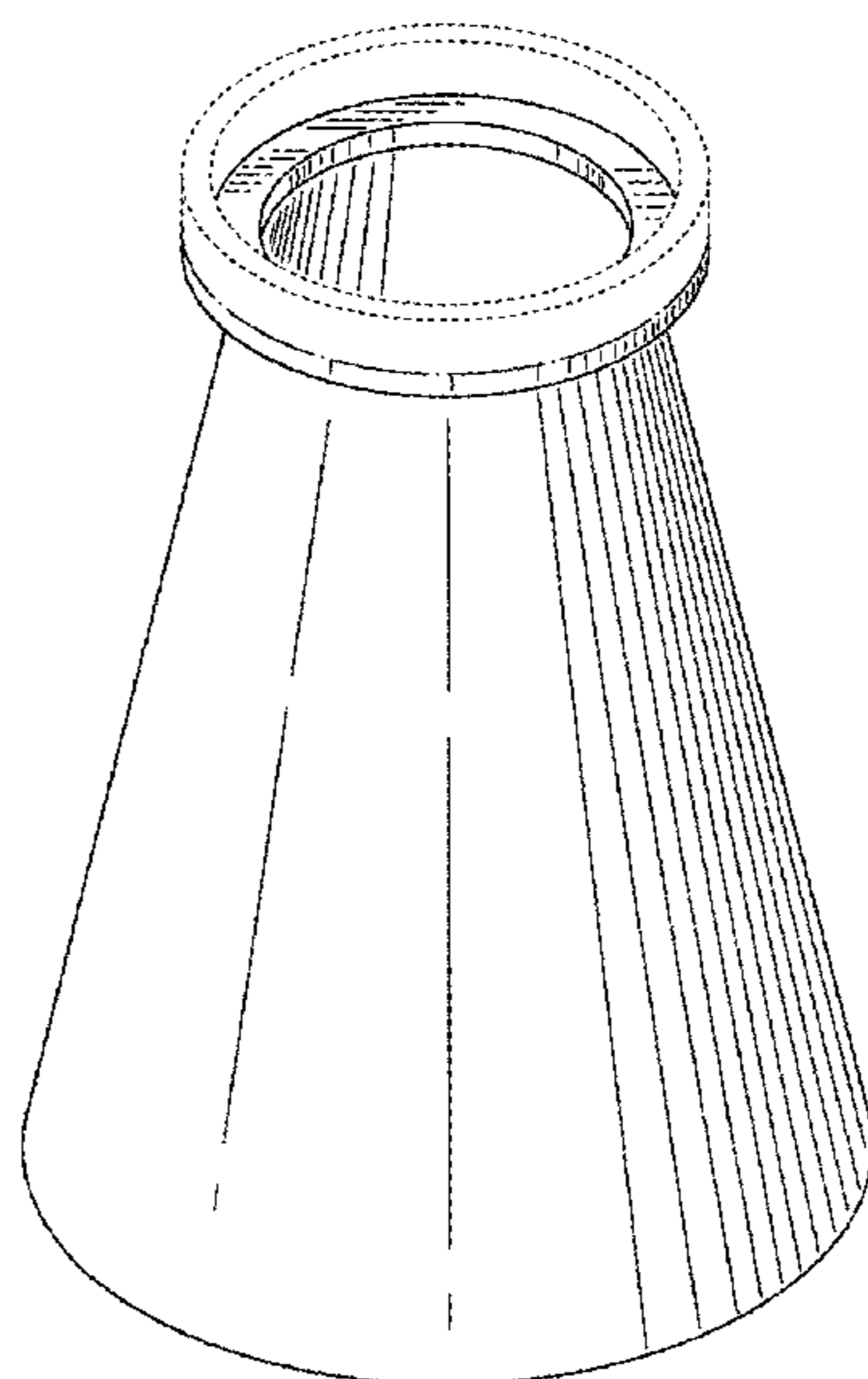
FIG. 10 is an enlarged view showing a portion of FIG. 9 defined by line 10-10.

FIG. 11 is a perspective view showing the bottom of the cover for cancer cell observation camera of FIG. 1 in a state of use; and,

FIG. 12 is a perspective view showing the top of the cover for cancer cell observation camera of FIG. 1 in a state of use.

The evenly-dashed broken lines in the drawings illustrate the portions of the design that form no part of the claim. The dot-dash broken lines in the drawings represent the bounds of the claimed subject matter, the dot-dash lines, themselves forming no part thereof.

**1 Claim, 12 Drawing Sheets**



(30) **Foreign Application Priority Data**

Mar. 15, 2016 (JP) ..... 2016-005654  
 Mar. 15, 2016 (JP) ..... 2016-005655  
 Mar. 15, 2016 (JP) ..... 2016-005659

(58) **Field of Classification Search**

CPC ... A61B 5/0059; A61B 5/0066; A61B 5/0071;  
 A61B 5/0077; A61B 5/445; A61B  
 2562/0233; G01N 21/6456; G01N  
 21/6458; G01N 21/631; G21K 2201/06;  
 G21K 2201/067

See application file for complete search history.

(56) **References Cited**

U.S. PATENT DOCUMENTS

4,912,737	A	3/1990	Ohsuka et al.	
D417,818	S	12/1999	Lillelund et al.	
D447,760	S	9/2001	Lantz	
D666,445	S	9/2012	Tharp et al.	
D669,587	S	10/2012	Mayer	
D676,554	S	2/2013	Moon	
D683,019	S	5/2013	Shahidi Bonjar	
D737,450	S	8/2015	Abelson	
D775,736	S *	1/2017	McCafferty .....	D24/172
D819,113	S *	5/2018	Li .....	D16/218
D822,209	S *	7/2018	Miwa .....	D24/158
2013/0030306	A1	1/2013	Yamanaka et al.	
2014/0303496	A1	10/2014	Hasegawa et al.	
2017/0215733	A1	8/2017	Mak et al.	
2019/0113455	A1 *	4/2019	Miwa .....	G01N 21/6428

\* cited by examiner

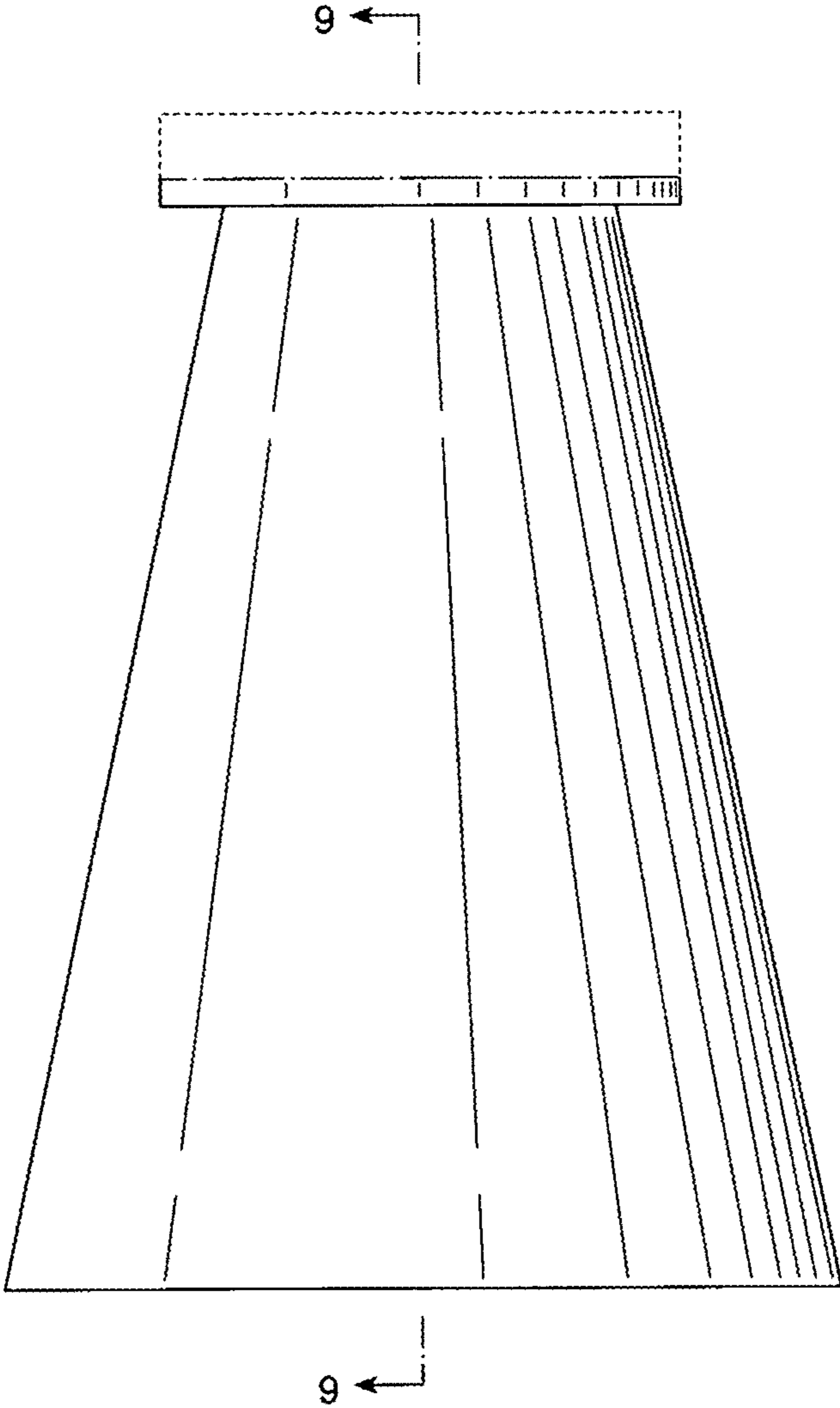


FIGURE 1

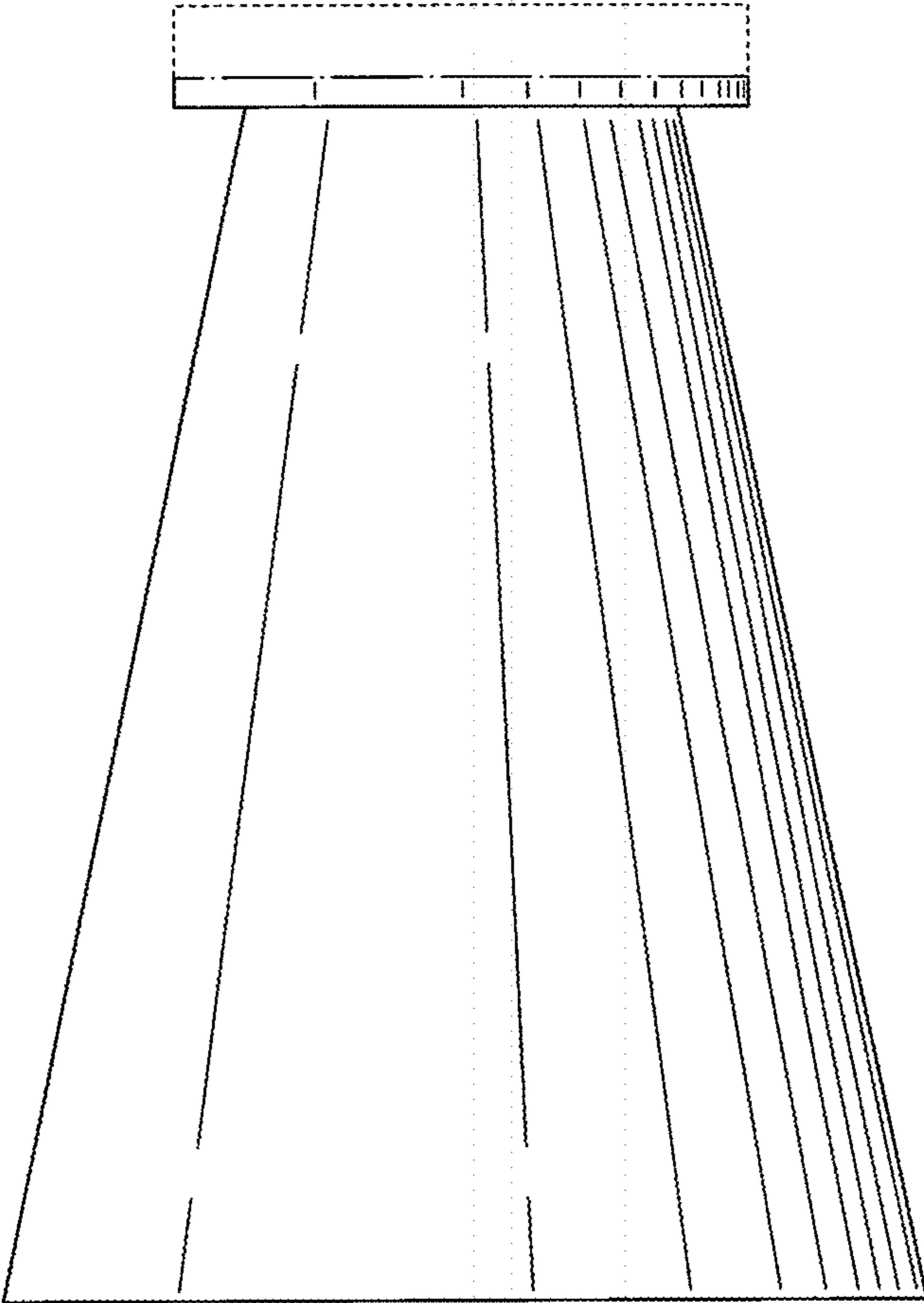


FIGURE 2

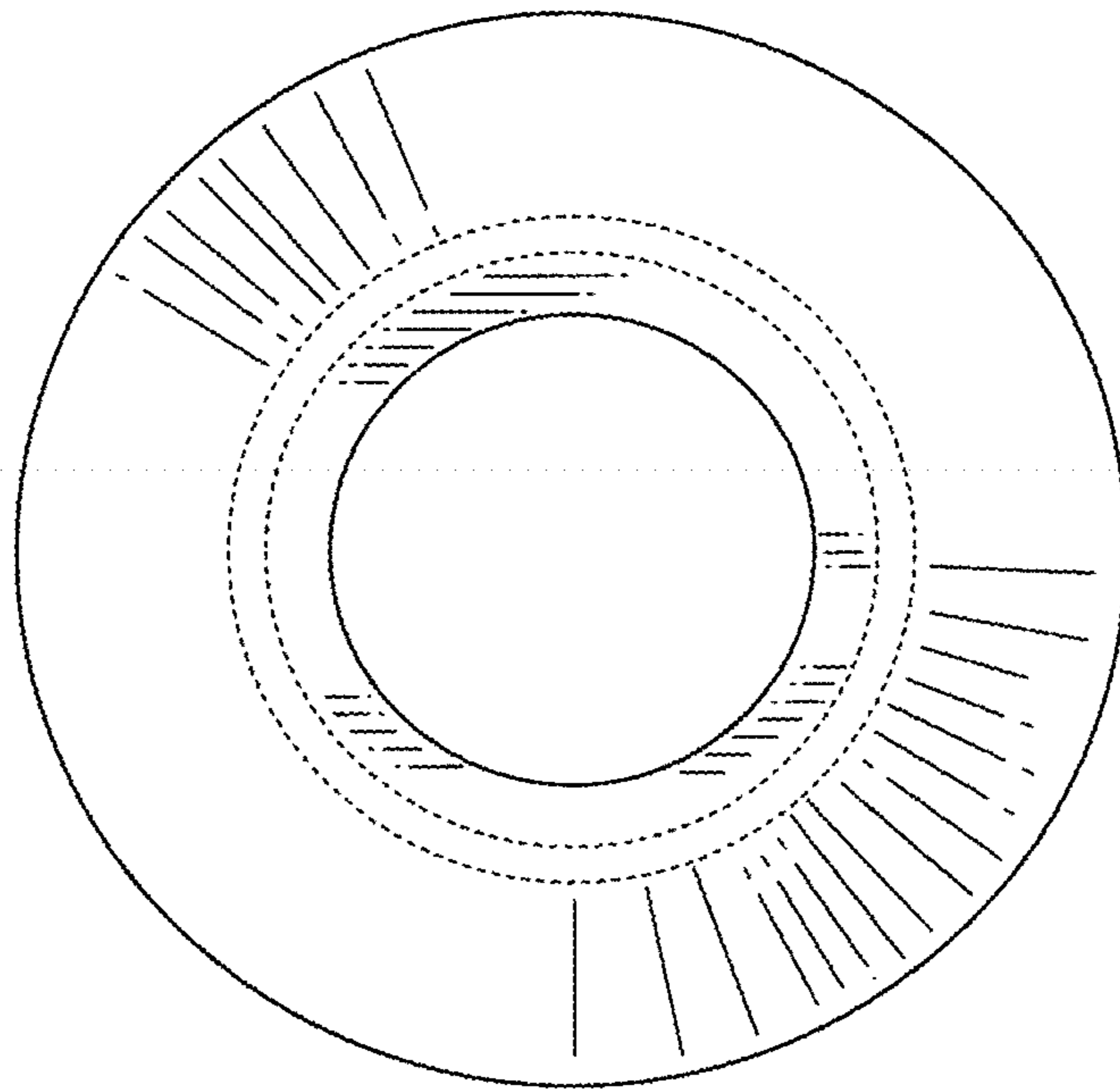


FIGURE 3

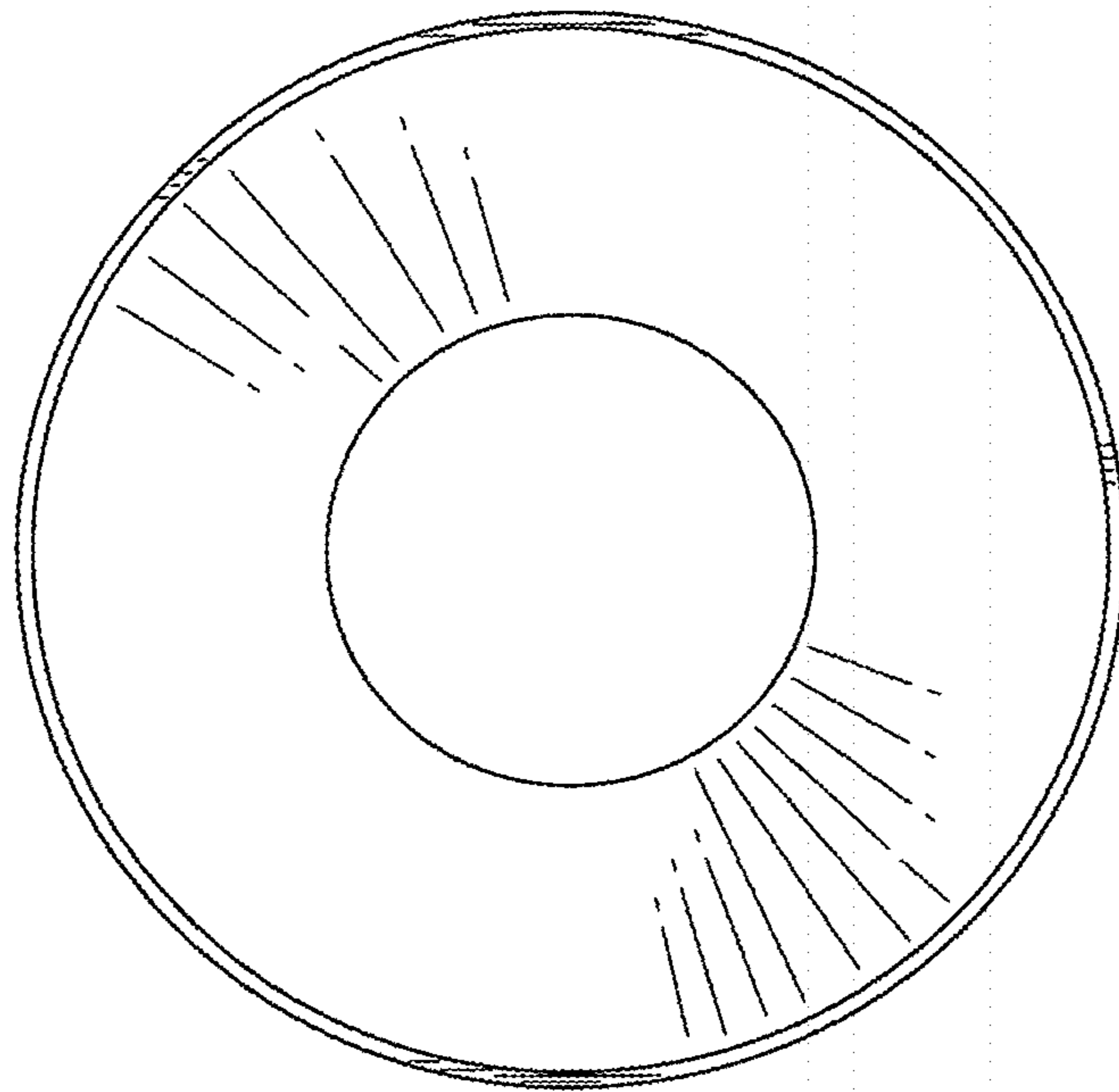


FIGURE 4

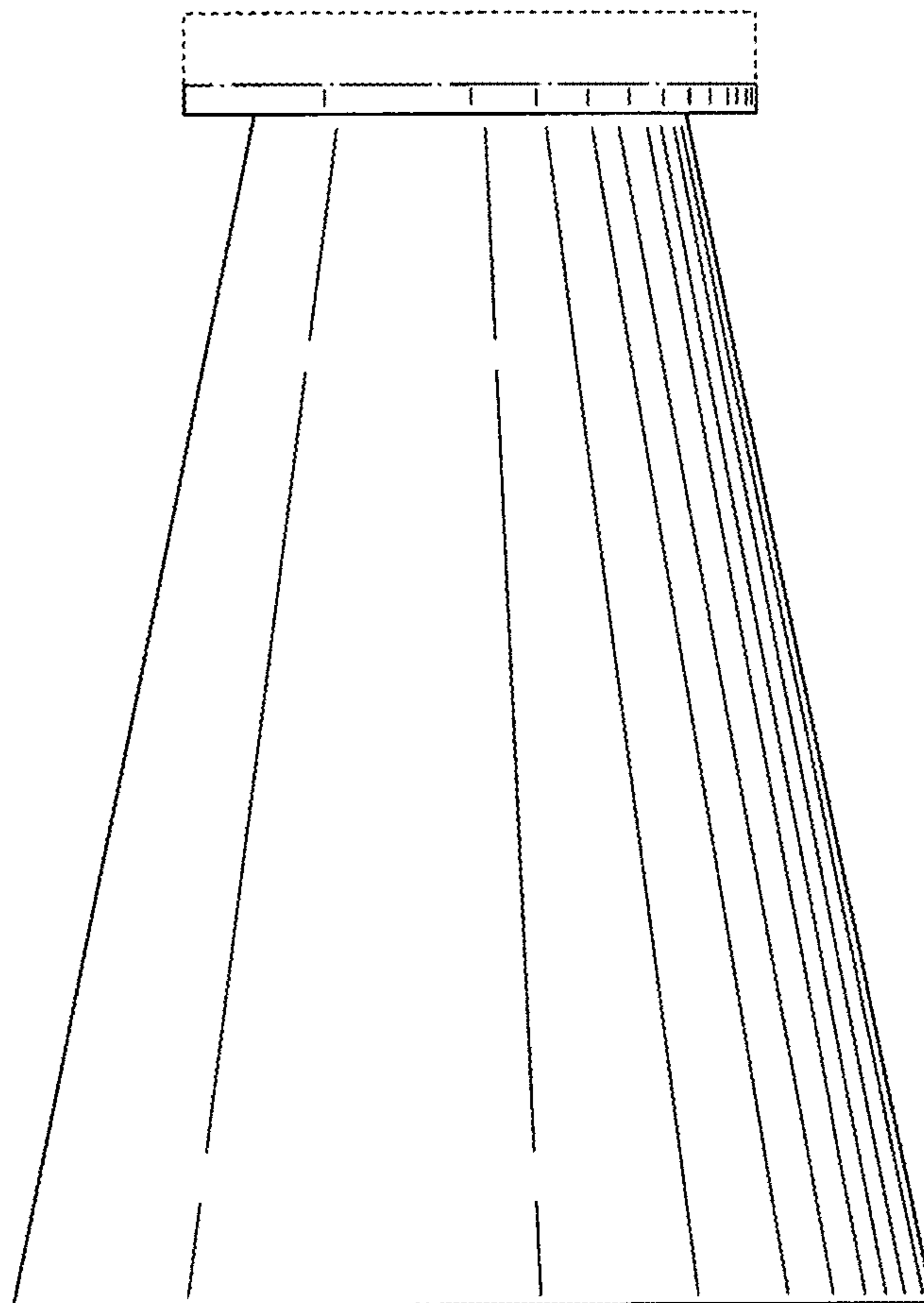


FIGURE 5

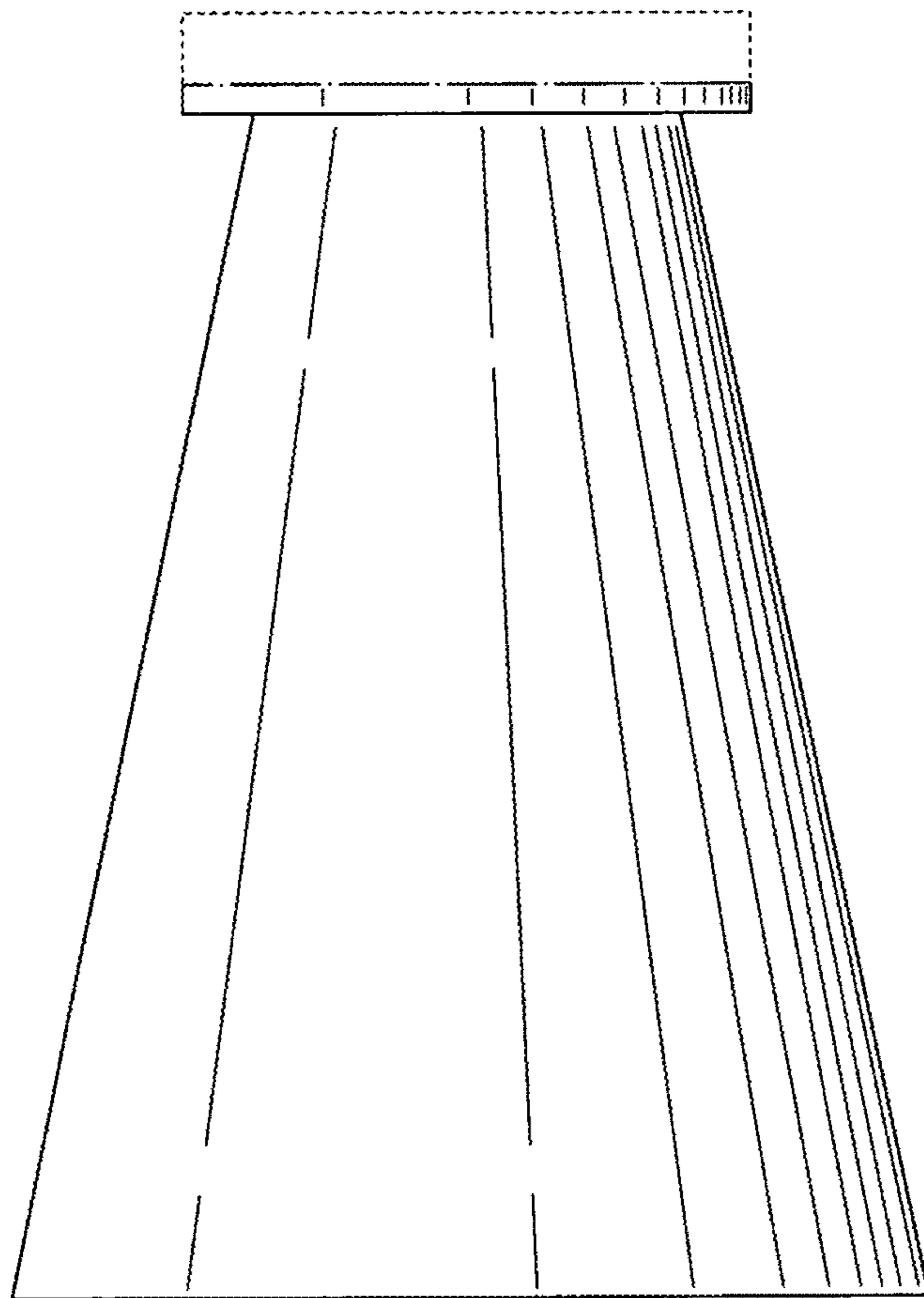


FIGURE 6



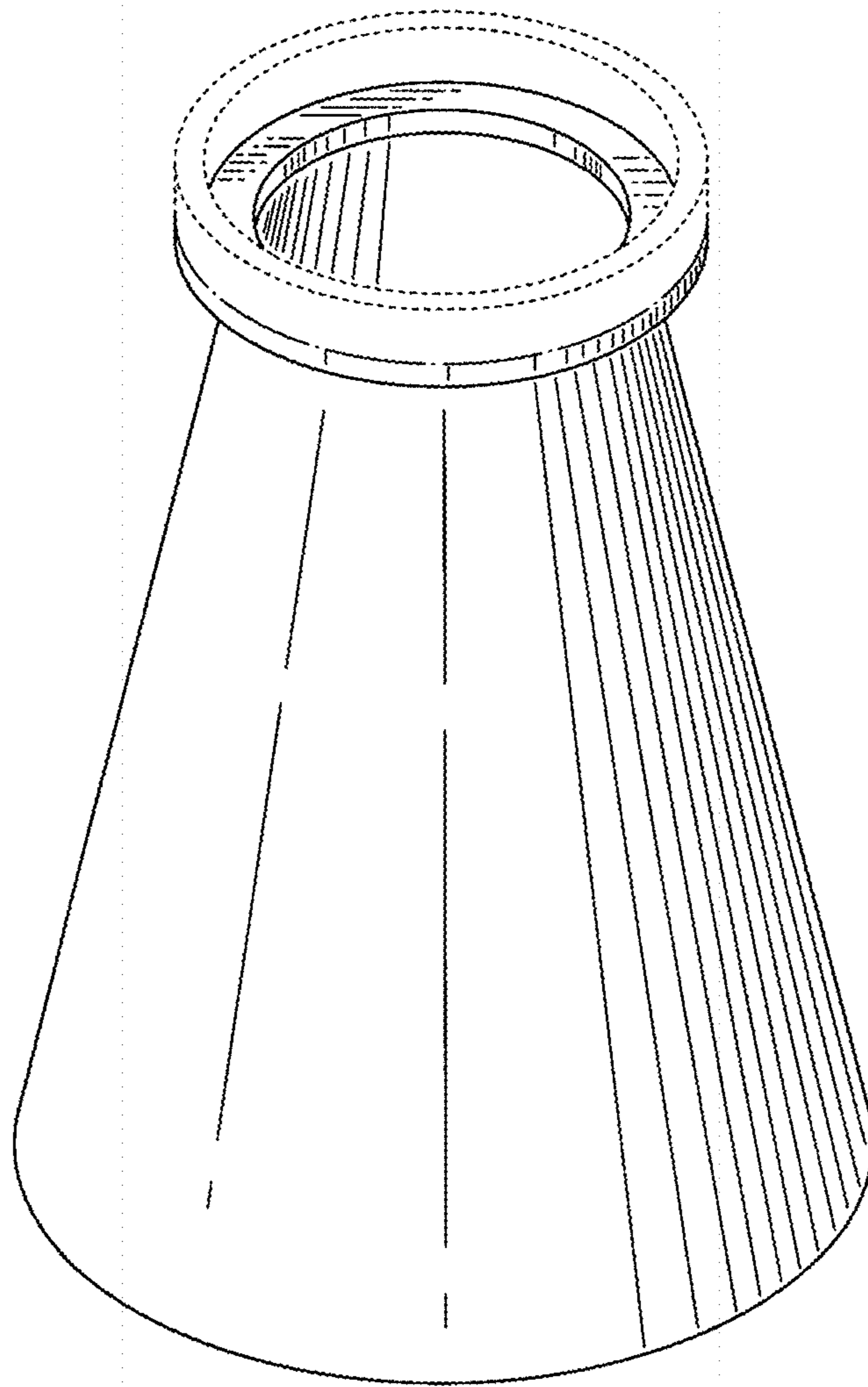


FIGURE 7

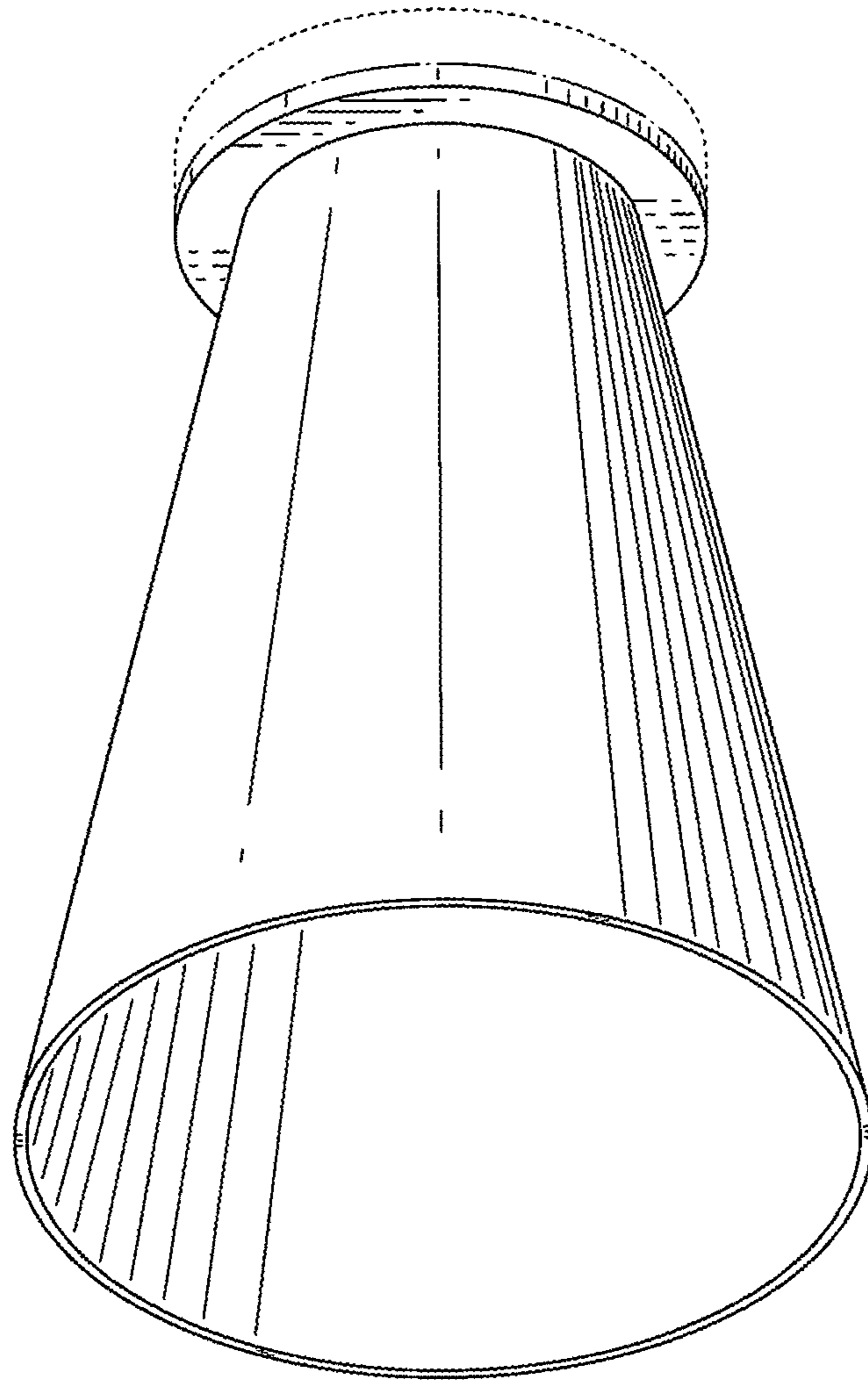


FIGURE 8

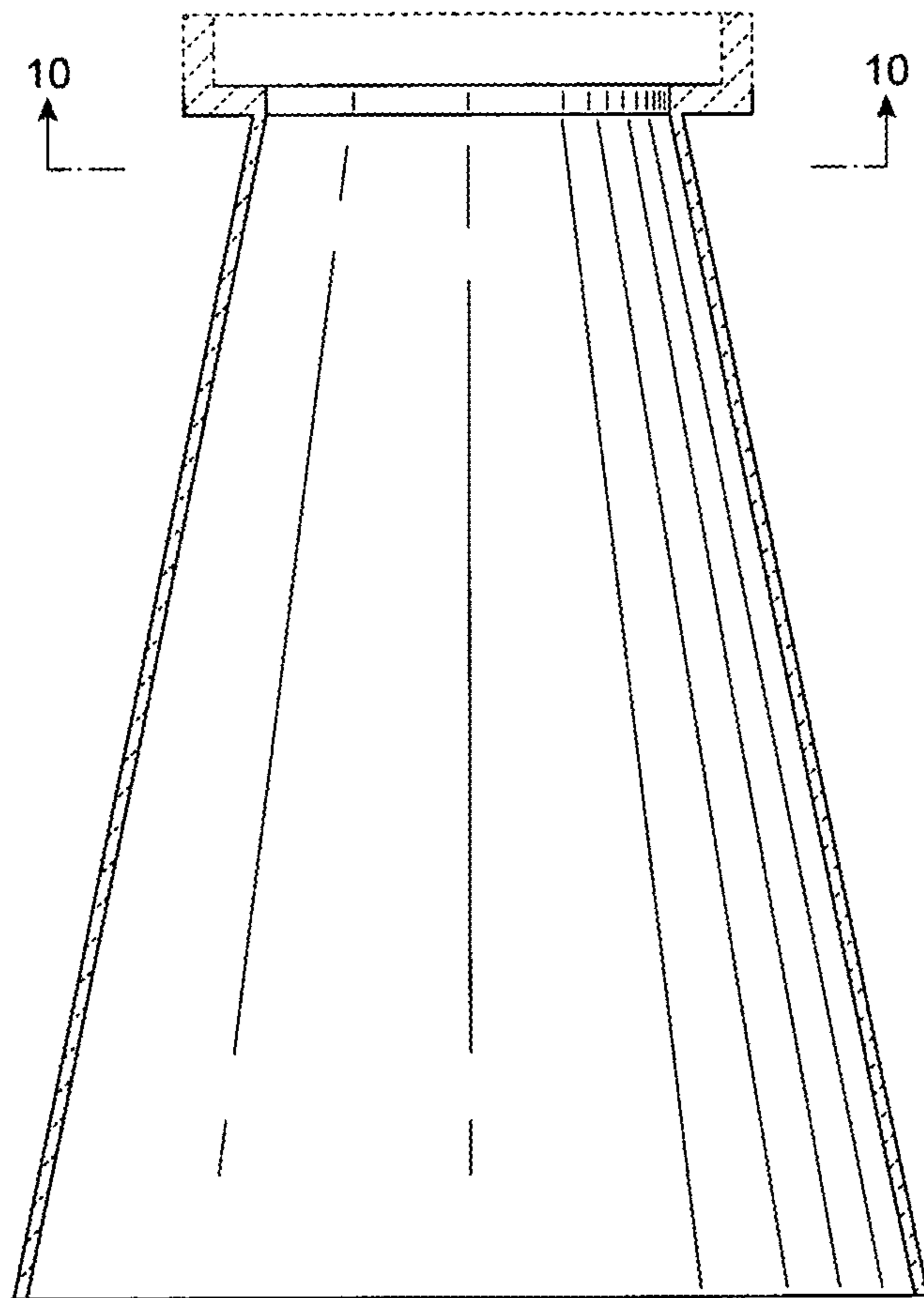


FIGURE 9

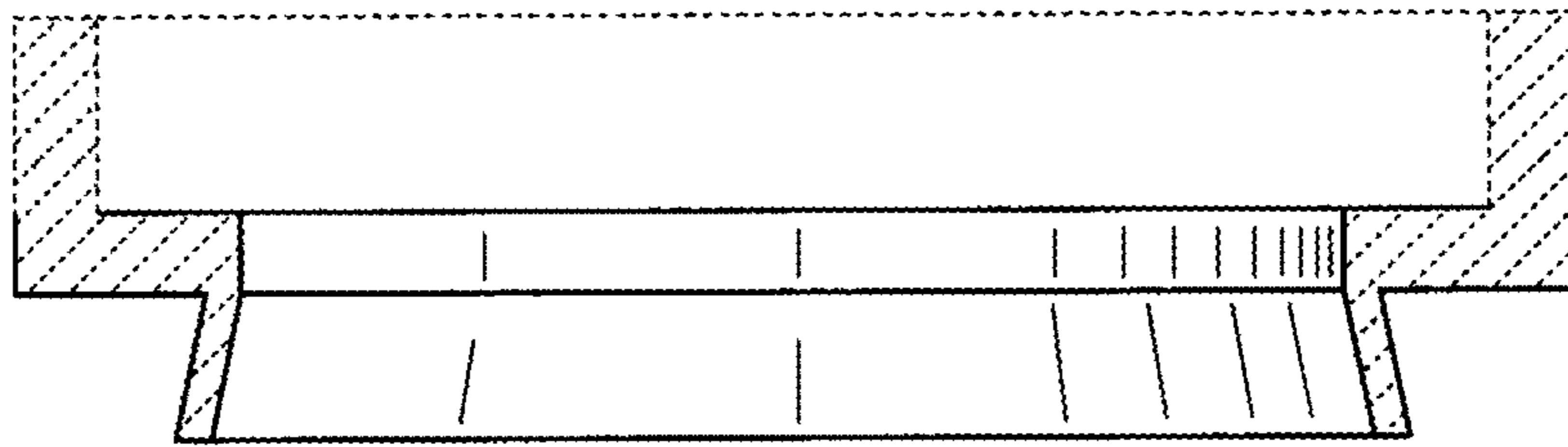


FIGURE 10

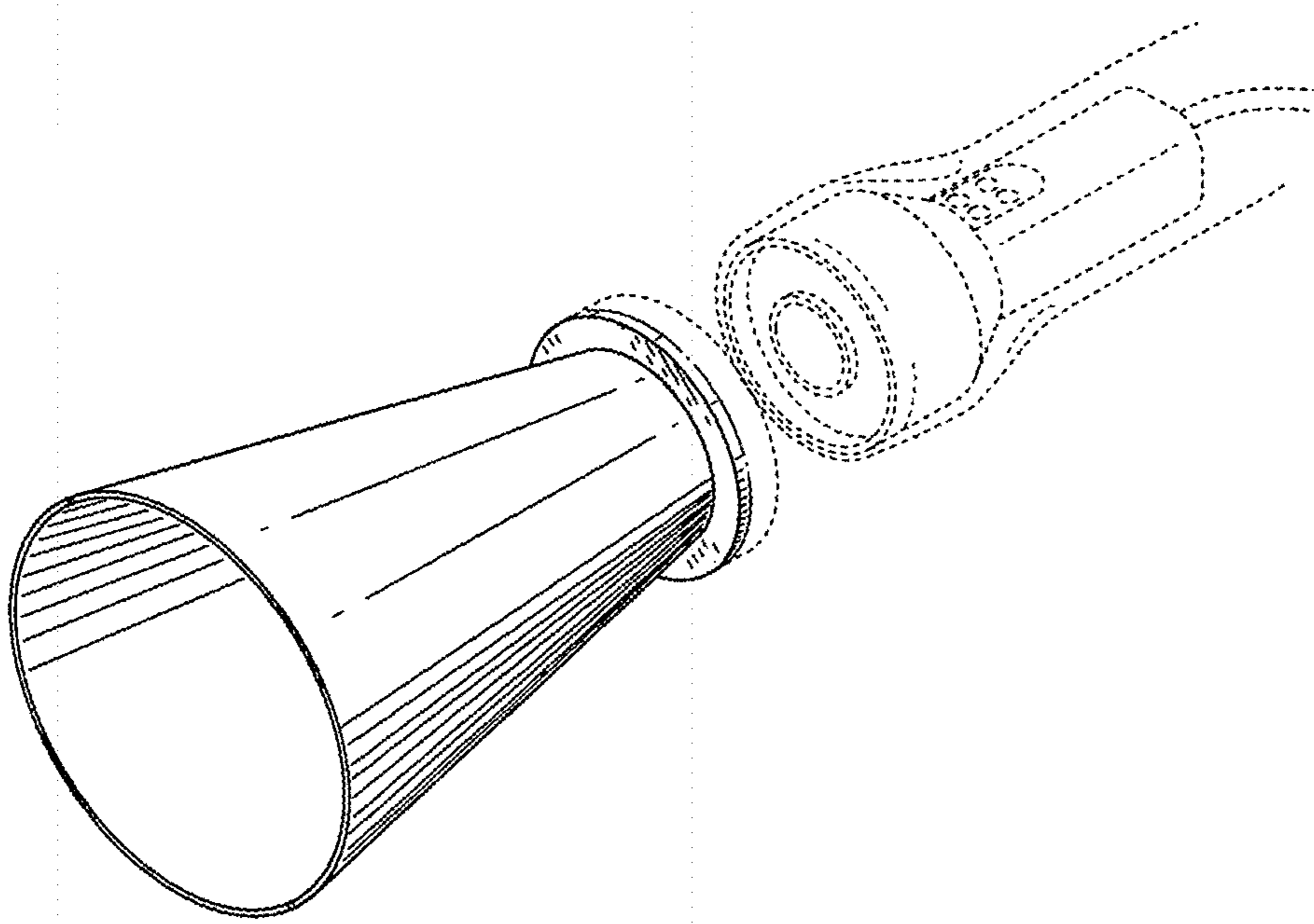


FIGURE 11

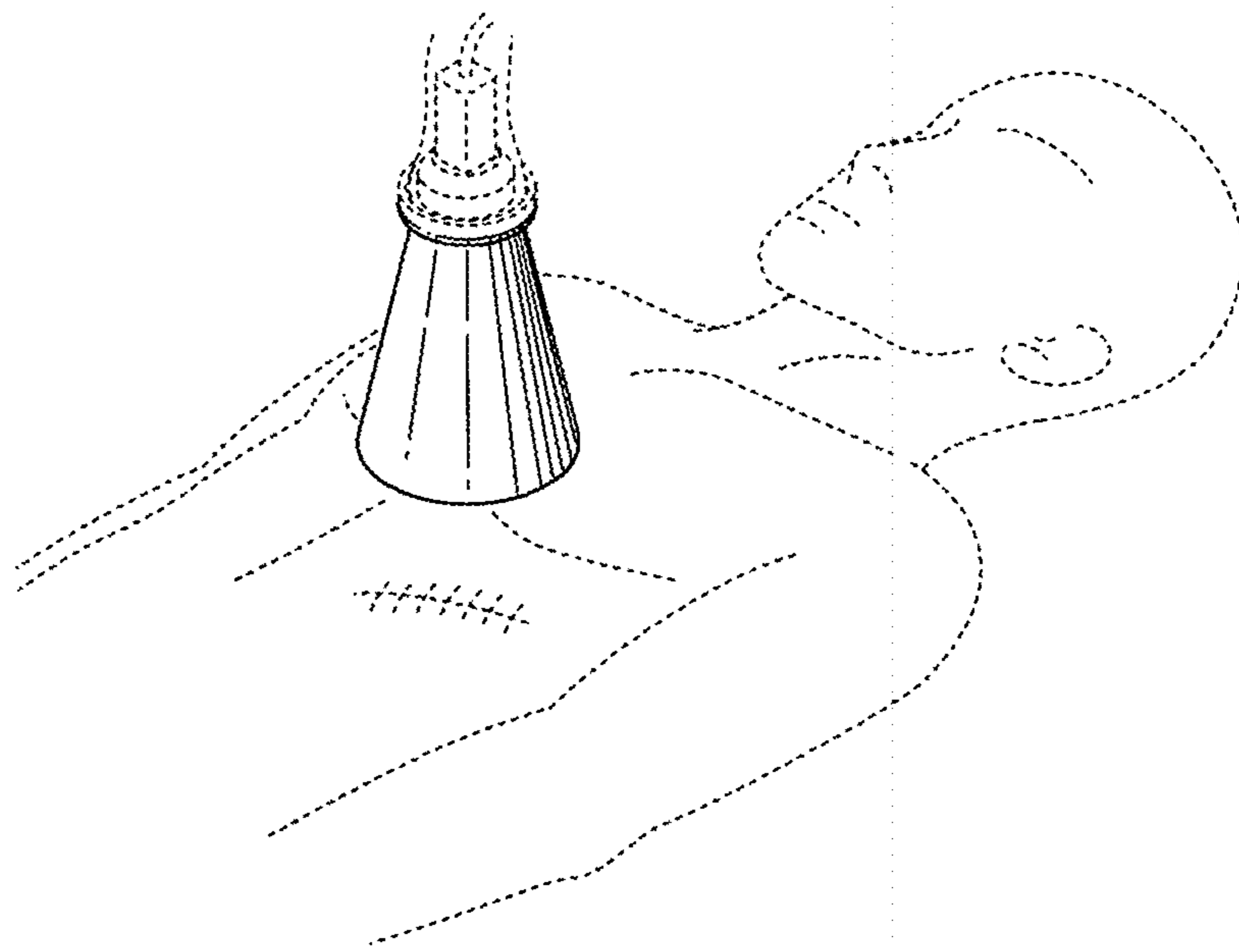


FIGURE 12