



US00D880697S

(12) **United States Design Patent**
Thomas

(10) **Patent No.:** **US D880,697 S**

(45) **Date of Patent:** **** Apr. 7, 2020**

(54) **HARNES FOR UPPER EXTREMITY
BELOW-ELBOW PROSTHESIS**

(71) Applicant: **Mark Thomas**, Phoenix, AZ (US)

(72) Inventor: **Mark Thomas**, Phoenix, AZ (US)

(**) Term: **15 Years**

(21) Appl. No.: **29/672,278**

(22) Filed: **Dec. 4, 2018**

Related U.S. Application Data

(63) Continuation-in-part of application No. 15/359,977,
filed on Nov. 23, 2016, now Pat. No. 10,172,724.

(51) **LOC (12) Cl.** **24-03**

(52) **U.S. Cl.**
USPC **D24/155**

(58) **Field of Classification Search**
USPC D24/155
CPC .. A61F 2/583; A61F 2/586; A61F 2/68; A61F
2002/701; A61F 2002/704; A61F
2002/587; A61F 2002/7635; A61F
2002/6827; A61F 2002/5061; A61F 5/013
See application file for complete search history.

(56) **References Cited**

U.S. PATENT DOCUMENTS

26,378	A	12/1859	Selpho et al.	
493,440	A	3/1893	Minzey	
1,206,753	A	11/1916	Desmore	
1,323,671	A	12/1919	Baehr	
1,408,157	A	2/1922	Francis	
1,464,842	A	8/1923	Burgan	
2,812,961	A	11/1957	Brown et al.	
3,526,007	A *	9/1970	Ivko	A61F 2/58 623/58
3,557,387	A *	1/1971	Ohlenbusch et al.	A61F 2/58 623/24

3,883,900	A *	5/1975	Jerard	A61F 2/58 623/25
4,613,331	A *	9/1986	Jacobsen	A61F 2/585 403/129
4,685,925	A *	8/1987	Childress	A61F 2/588 623/25
5,163,966	A	11/1992	Norton et al.	
5,800,572	A	9/1998	Loveall	
5,888,235	A	3/1999	Jacobsen et al.	
7,967,869	B2	6/2011	Schulman et al.	

(Continued)

Primary Examiner — Charles D Hanson

(74) *Attorney, Agent, or Firm* — Boudwin Intellectual
Property; Daniel Boudwin

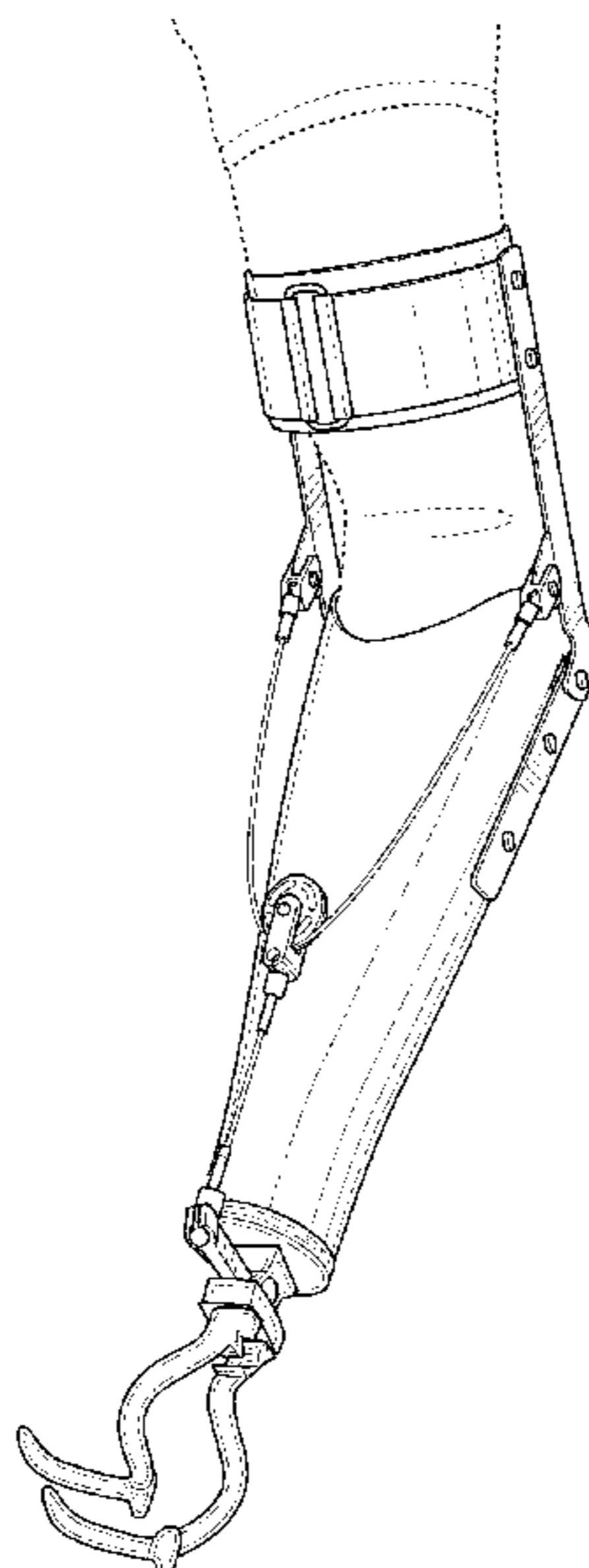
(57) **CLAIM**

The ornamental design for a harness for upper extremity
below-elbow prosthesis, as shown and described.

DESCRIPTION

FIG. 1 shows a perspective view of a harness for an upper
extremity below-elbow prosthesis;
FIG. 2 shows a front view of the harness for upper extremity
below-elbow prosthesis;
FIG. 3 shows a rear view of the harness for upper extremity
below-elbow prosthesis;
FIG. 4 shows a right side view of the harness for upper
extremity below-elbow prosthesis;
FIG. 5 shows a left side view of the harness for upper
extremity below-elbow prosthesis;
FIG. 6 shows a top plan view of the harness for upper
extremity below-elbow prosthesis; and,
FIG. 7 shows a bottom plan view of the harness for upper
extremity below-elbow prosthesis.
The shade lines in the Figures show contour and not surface
ornamentation.
The broken lines shown in the Figures show portions of the
harness for upper extremity below-elbow prosthesis device
which form no part of the claimed design.

1 Claim, 5 Drawing Sheets



(56)

References Cited

U.S. PATENT DOCUMENTS

8,414,658	B2	4/2013	Johnson et al.	
8,821,588	B2 *	9/2014	Latour	A61F 2/54 623/30
10,172,724	B2 *	1/2019	Thomas	A61F 2/78
2007/0250179	A1 *	10/2007	Latour	A61F 2/54 606/60
2013/0090743	A1	4/2013	Latour	
2017/0281369	A1 *	10/2017	Armbruster	A61F 2/588

* cited by examiner

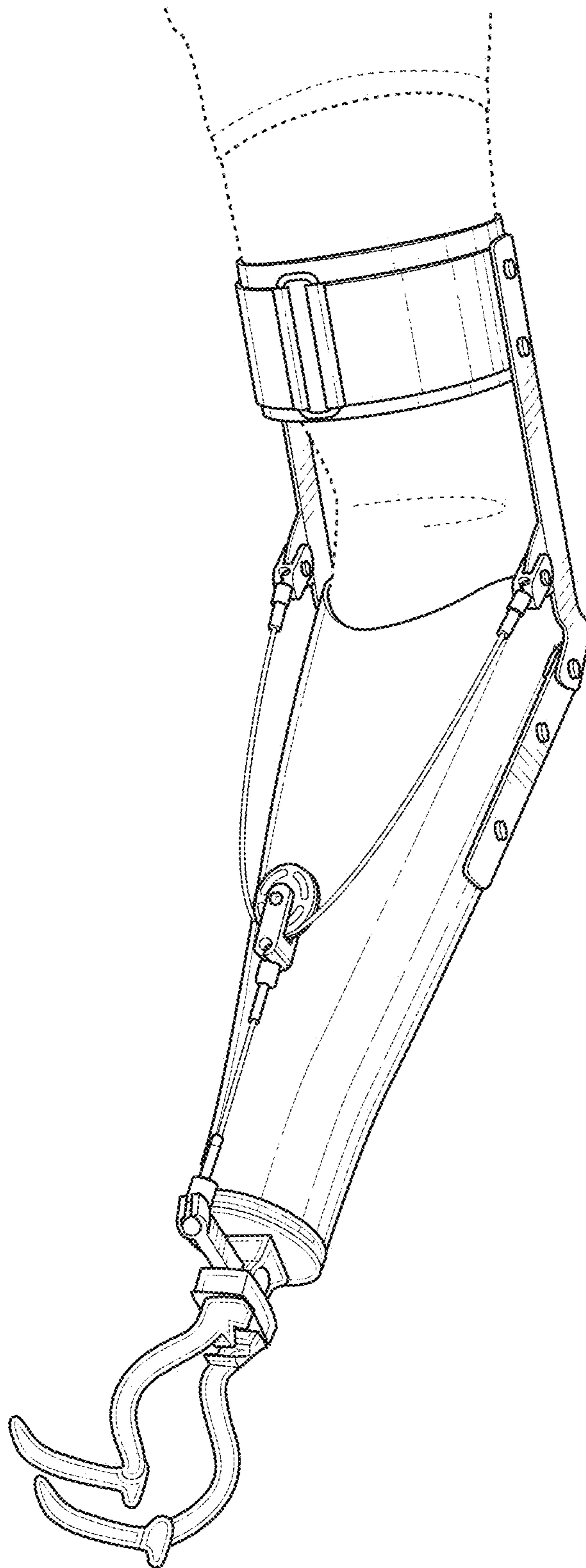


FIG. 1

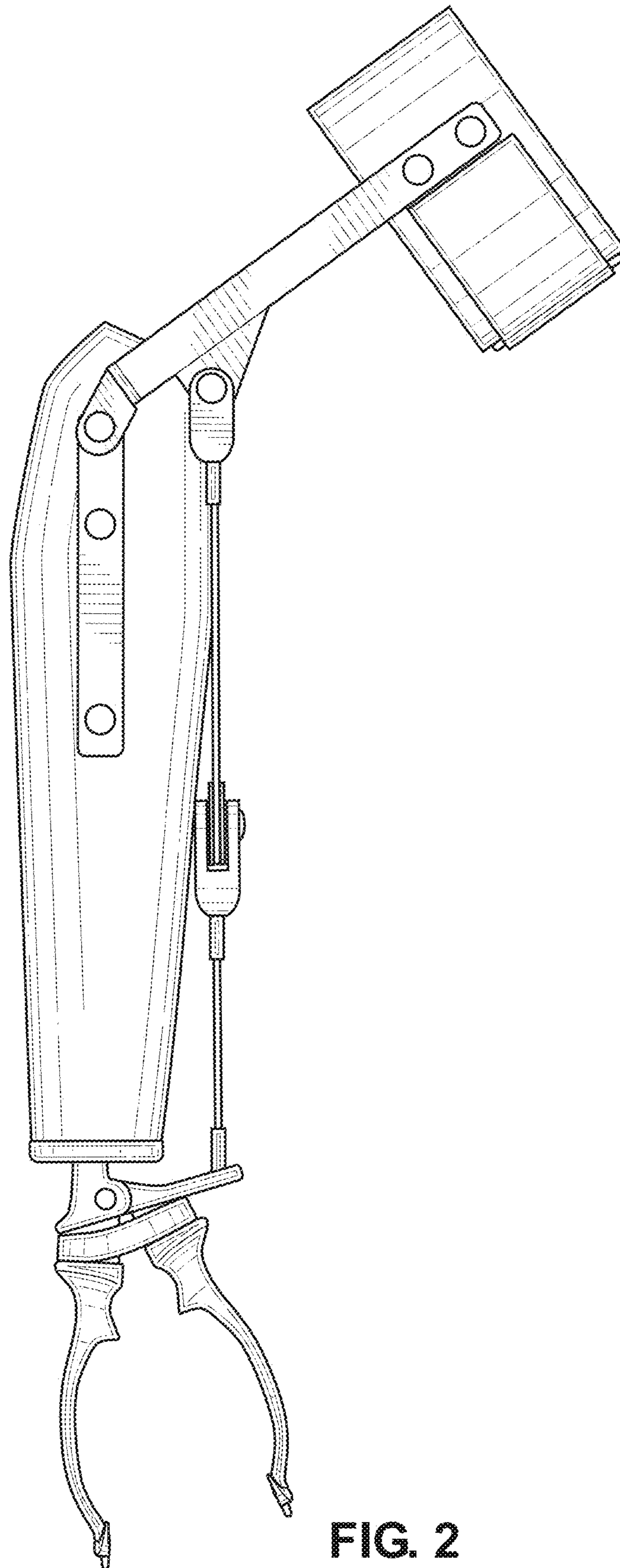


FIG. 2

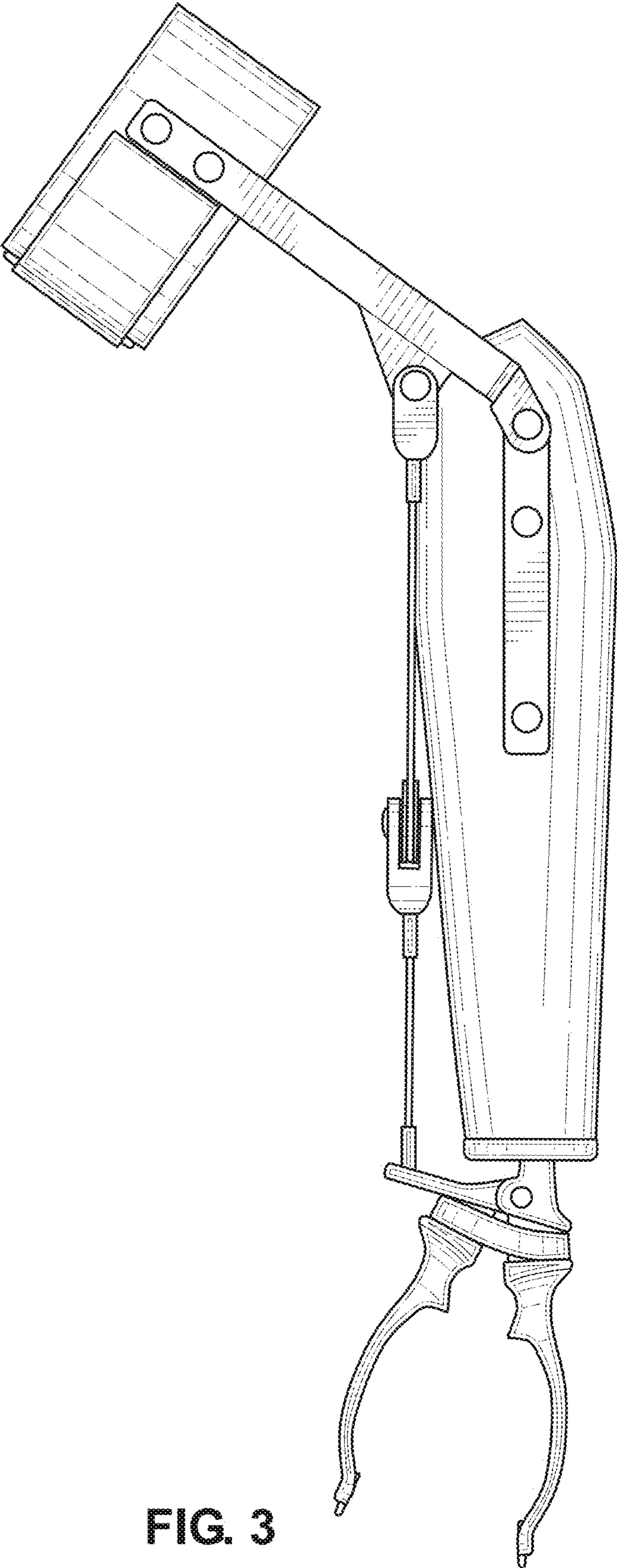


FIG. 3

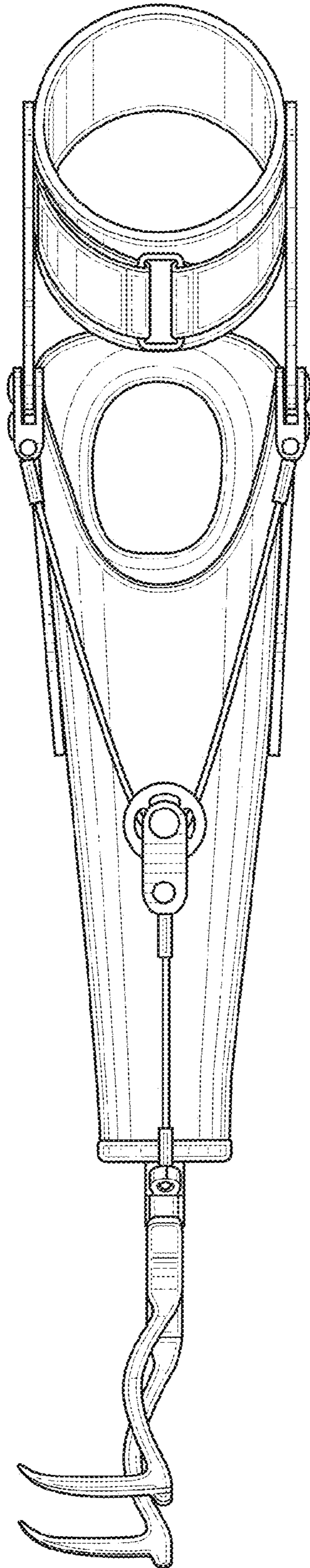


FIG. 4

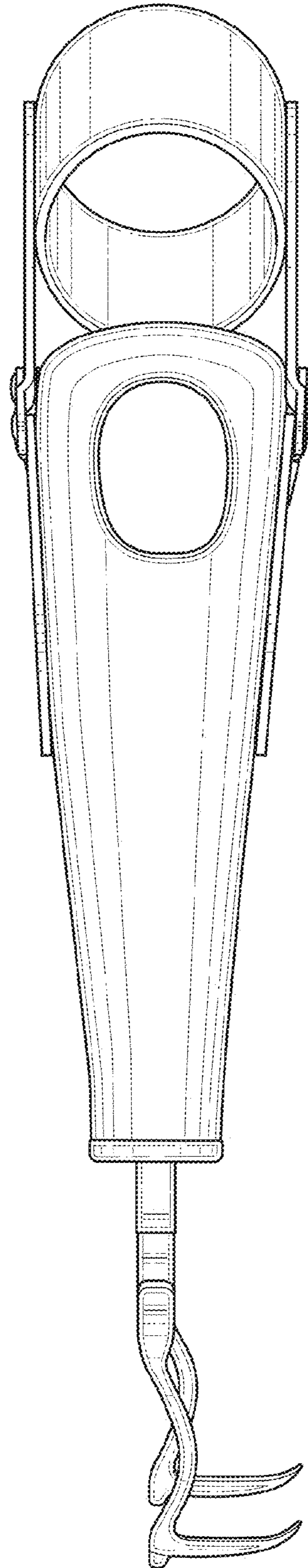


FIG. 5

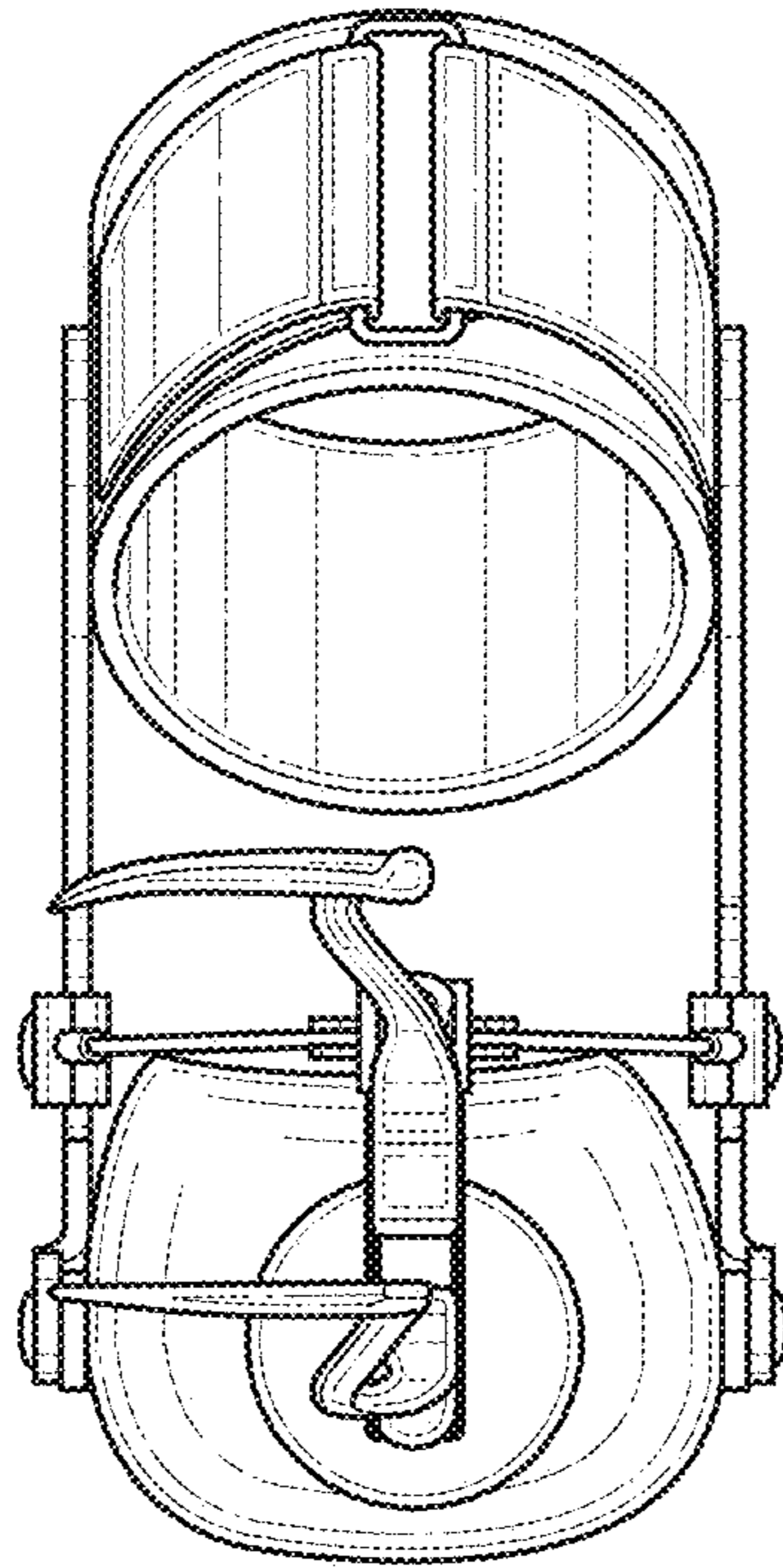


FIG. 6

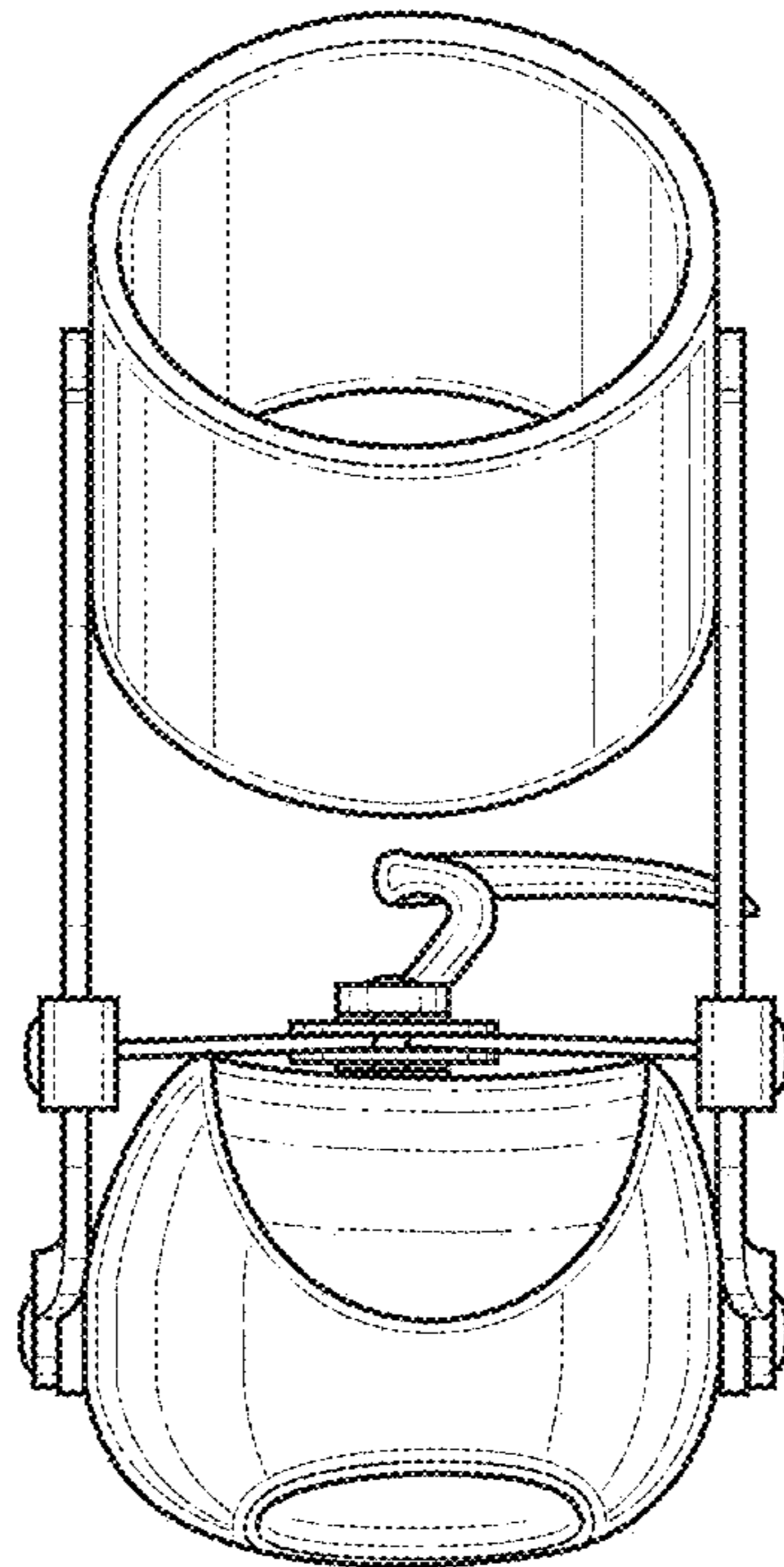


FIG. 7