



US00D880693S

(12) **United States Design Patent** (10) **Patent No.:** **US D880,693 S**  
**Harding et al.** (45) **Date of Patent:** **\*\* Apr. 7, 2020**

(54) **CATHETER ASSEMBLY**  
(71) Applicant: **Becton, Dickinson and Company**,  
Franklin Lakes, NJ (US)  
(72) Inventors: **Weston Harding**, Lehi, UT (US);  
**Stephen Bornhoft**, Sandy, UT (US);  
**John Stokes**, Pleasant View, UT (US);  
**Shaun Staley**, Murray, UT (US);  
**Yiping Ma**, Layton, UT (US); **Siddarth**  
**Shevgoor**, Laguna Beach, CA (US);  
**Curt Bingham**, Hyde Park, UT (US)  
(73) Assignee: **Becton, Dickinson and Company**,  
Franklin Lakes, NJ (US)

(\*\*) Term: **15 Years**  
(21) Appl. No.: **29/704,481**  
(22) Filed: **Sep. 5, 2019**

**Related U.S. Application Data**

(62) Division of application No. 29/591,944, filed on Jan. 25, 2017, now Pat. No. Des. 865,956.  
(51) **LOC (12) Cl.** ..... **24-02**  
(52) **U.S. Cl.**  
USPC ..... **D24/130**  
(58) **Field of Classification Search**  
USPC ..... D24/127-131, 112-114, 133, 186;  
606/181, 185; 604/264, 523-528, 272,  
604/187, 158, 164.01-164.11, 181, 184,  
604/227; 600/101, 139, 143;  
128/200.24, 207.14, 207.15  
CPC .. A61M 25/065; A61M 5/42; A61M 25/0612;  
A61M 25/00; A61M 39/00; A61M 27/00;  
A61M 25/0043; A61M 25/0067; A61M  
25/0097; A61F 2/958  
See application file for complete search history.

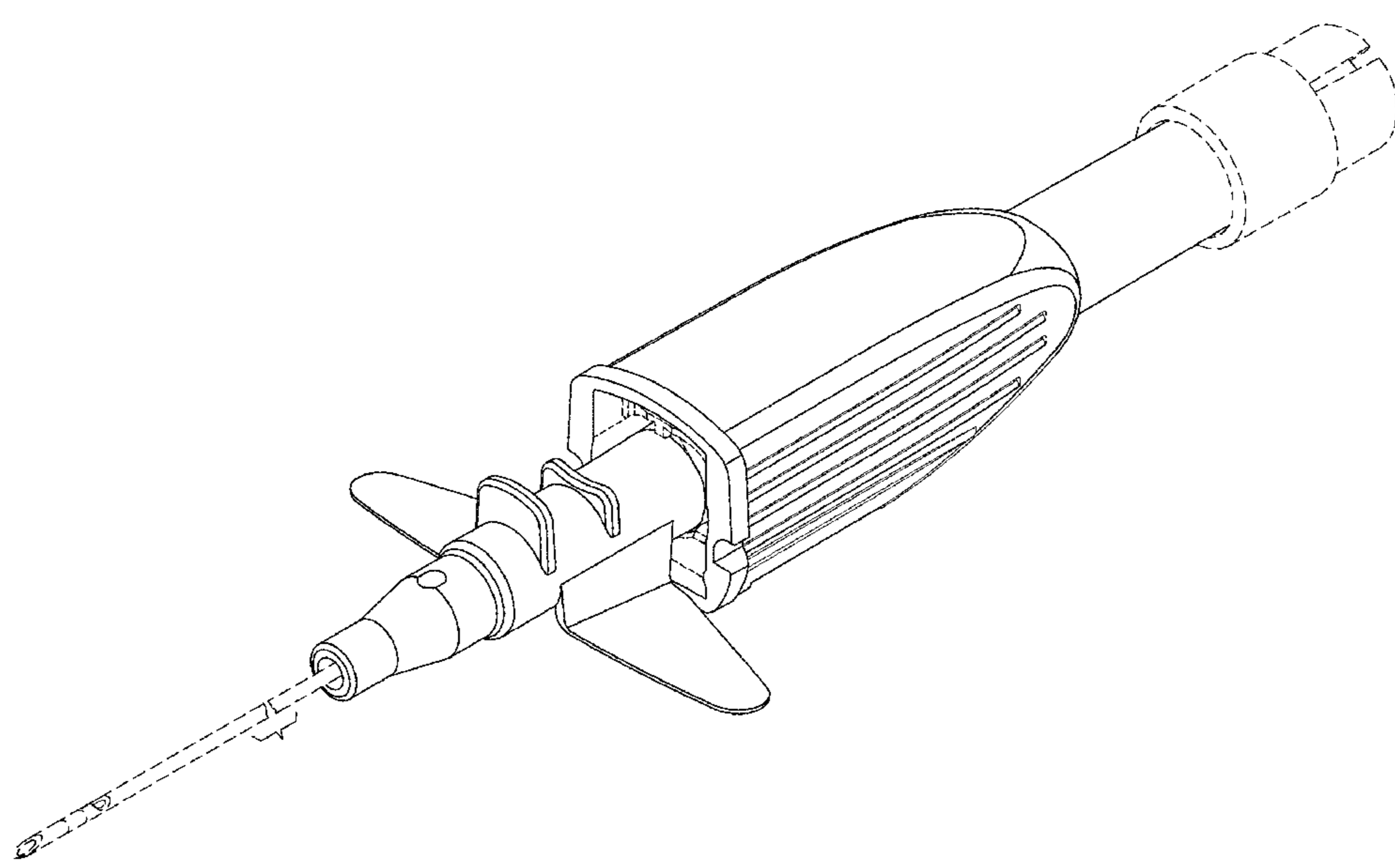
(56) **References Cited**  
U.S. PATENT DOCUMENTS  
4,863,432 A 9/1989 Kvalo  
4,951,977 A 8/1990 Shutt  
D381,418 S 7/1997 Erskine et al.  
D381,422 S 7/1997 Erskine et al.  
5,676,656 A 10/1997 Brimhall  
5,713,876 A 2/1998 Bogert et al.  
D395,501 S \* 6/1998 Erskine ..... D24/112  
5,830,190 A 11/1998 Howell  
5,951,515 A 9/1999 Osterlind  
6,004,294 A 12/1999 Brimhall et al.  
6,379,333 B1 4/2002 Brimhall et al.  
D459,802 S 7/2002 Cindrich  
(Continued)

FOREIGN PATENT DOCUMENTS  
EP 0747087 A2 12/1996  
WO WO-2013137348 A1 9/2013  
*Primary Examiner* — David G Muller  
(74) *Attorney, Agent, or Firm* — Dickinson Wright PLLC

(57) **CLAIM**  
The ornamental design for a catheter assembly, as shown and described.

**DESCRIPTION**  
FIG. 1 is a top perspective view of a catheter assembly embodying our new design;  
FIG. 2 is a bottom perspective view thereof;  
FIG. 3 is a top plan view thereof;  
FIG. 4 is a side elevation view thereof;  
FIG. 5 is an opposite side elevation view thereof;  
FIG. 6 is a bottom plan view thereof;  
FIG. 7 is a front elevation view thereof; and,  
FIG. 8 is a rear elevation view thereof.  
The ornamental design that is claimed is shown in solid lines in the drawings. The broken lines in the drawings represent portions of the catheter assembly that form no part of the claimed design.

**1 Claim, 5 Drawing Sheets**



(56)

References Cited

U.S. PATENT DOCUMENTS

|              |         |                        |                   |         |                               |
|--------------|---------|------------------------|-------------------|---------|-------------------------------|
| 6,638,252 B2 | 10/2003 | Moulton et al.         | 9,687,633 B2      | 6/2017  | Teoh                          |
| 6,652,486 B2 | 11/2003 | Bialecki et al.        | 9,867,940 B2      | 1/2018  | Holmqvist et al.              |
| 6,652,490 B2 | 11/2003 | Howell                 | D821,574 S *      | 6/2018  | Harding ..... D24/130         |
| D491,266 S   | 6/2004  | Cindrich et al.        | 10,238,852 B2 *   | 3/2019  | Burkholz ..... A61M 25/0606   |
| D492,031 S   | 6/2004  | Cindrich et al.        | 10,245,416 B2 *   | 4/2019  | Harding ..... A61M 25/0606    |
| 6,749,588 B1 | 6/2004  | Howell et al.          | D858,755 S *      | 9/2019  | Harding ..... D24/130         |
| D592,302 S   | 5/2009  | Stokes et al.          | D859,651 S *      | 9/2019  | Harding ..... D24/130         |
| 7,530,965 B2 | 5/2009  | Villa et al.           | D865,956 S *      | 11/2019 | Harding ..... D24/130         |
| D605,287 S   | 12/2009 | Crawford et al.        | 2004/0236288 A1 * | 11/2004 | Howell ..... A61M 5/3273      |
| 7,658,725 B2 | 2/2010  | Bialecki et al.        |                   |         | 604/263                       |
| 7,722,569 B2 | 5/2010  | Soderholm et al.       | 2004/0267204 A1 * | 12/2004 | Brustowicz ..... A61M 25/0631 |
| 7,753,887 B2 | 7/2010  | Botich                 |                   |         | 604/168.01                    |
| D655,406 S   | 3/2012  | Ma et al.              | 2005/0096592 A1 * | 5/2005  | Carlyon ..... A61M 5/3273     |
| 8,206,355 B2 | 6/2012  | Thorne                 |                   |         | 604/110                       |
| 8,585,644 B2 | 11/2013 | Rodriguez Lelis et al. | 2005/0277879 A1 * | 12/2005 | Daga ..... A61M 25/0606       |
| 8,591,467 B2 | 11/2013 | Walker et al.          |                   |         | 604/110                       |
| 9,011,382 B2 | 4/2015  | Nilsson et al.         | 2007/0282275 A1 * | 12/2007 | Ferguson ..... A61B 5/154     |
| 9,056,188 B2 | 6/2015  | Hager et al.           |                   |         | 604/198                       |
| D748,777 S   | 2/2016  | Uenishi et al.         | 2011/0306933 A1 * | 12/2011 | Djordjevic ..... A61M 25/0631 |
| D752,214 S   | 3/2016  | Limaye et al.          |                   |         | 604/164.08                    |
| D755,371 S   | 5/2016  | Limaye et al.          | 2014/0303561 A1   | 10/2014 | Li                            |
|              |         |                        | 2014/0364809 A1   | 12/2014 | Isaacson et al.               |
|              |         |                        | 2015/0238733 A1   | 8/2015  | bin Abdulla                   |

\* cited by examiner

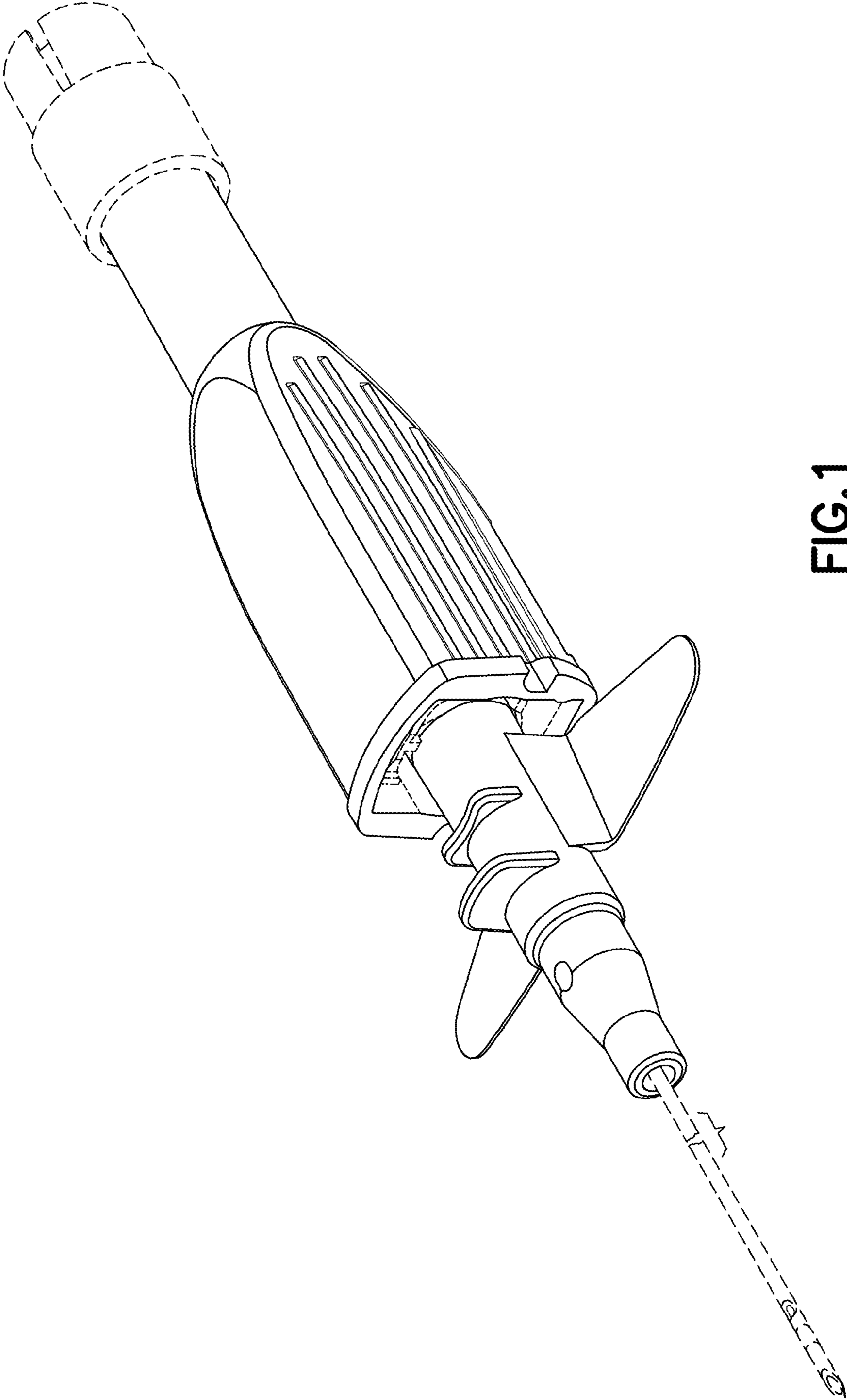


FIG. 1

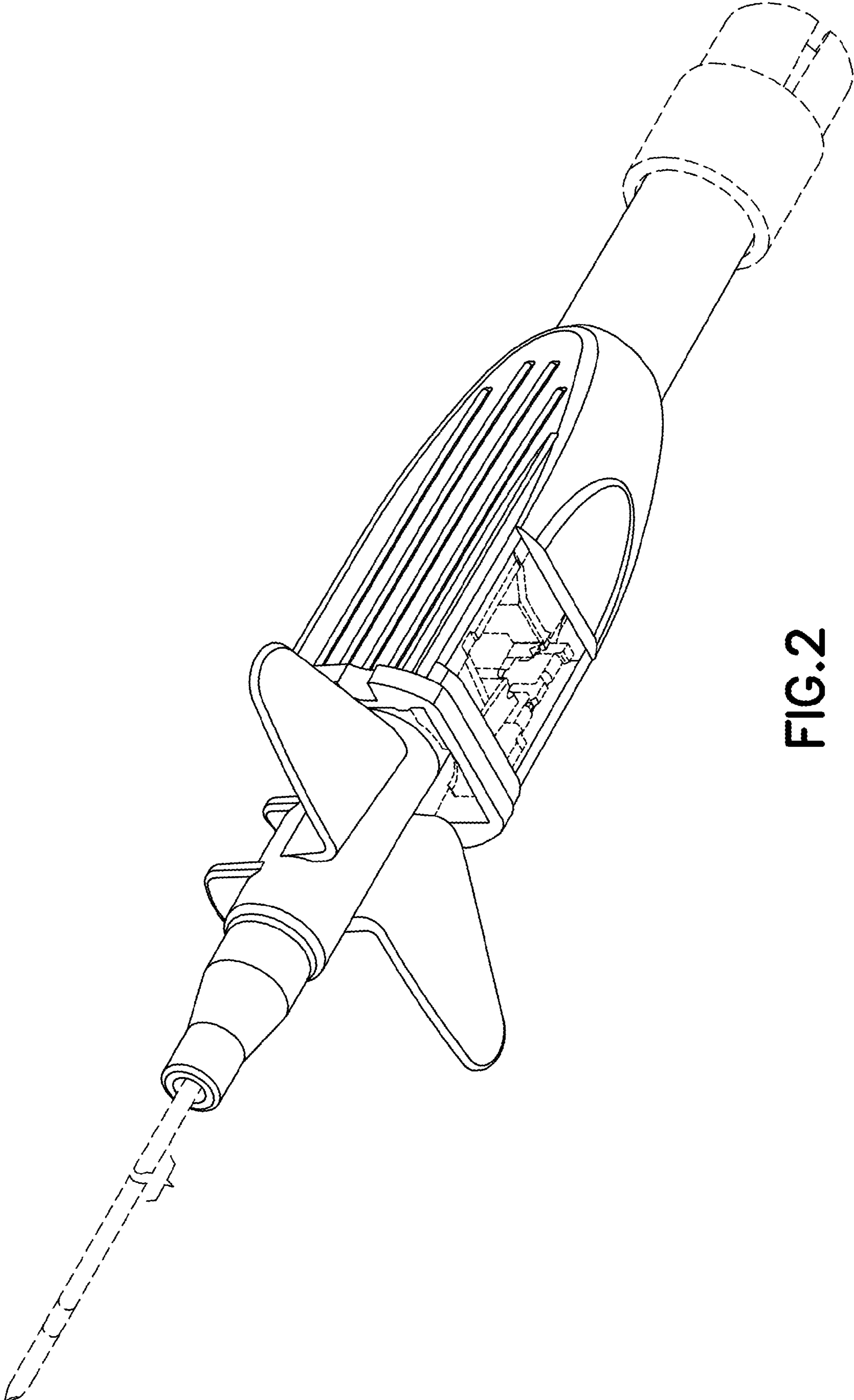


FIG.2

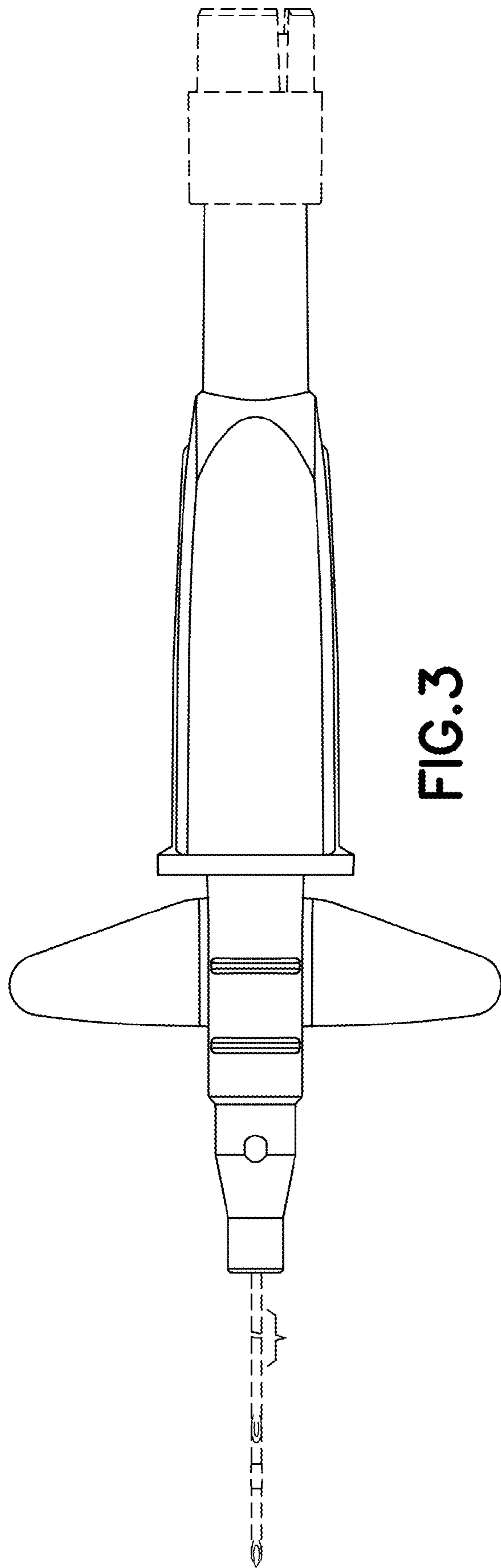


FIG. 3

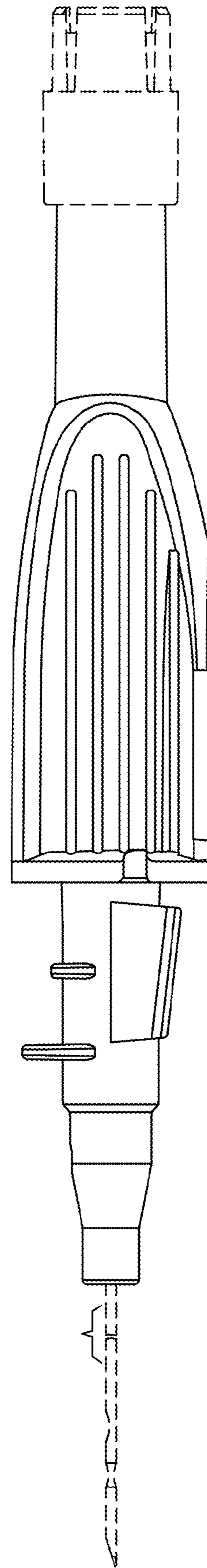


FIG. 4

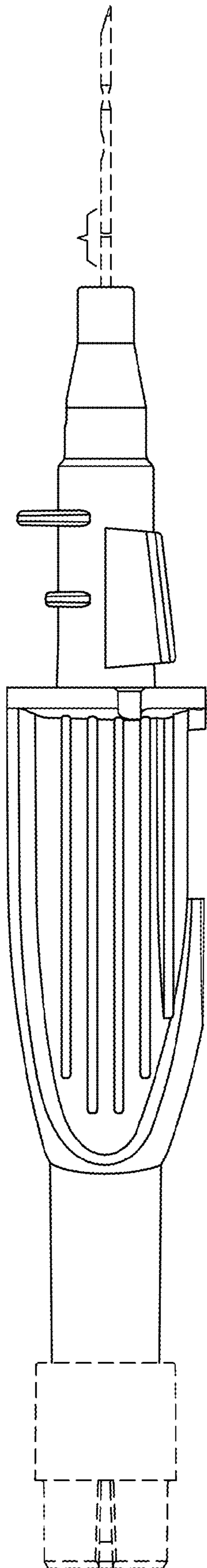


FIG. 5

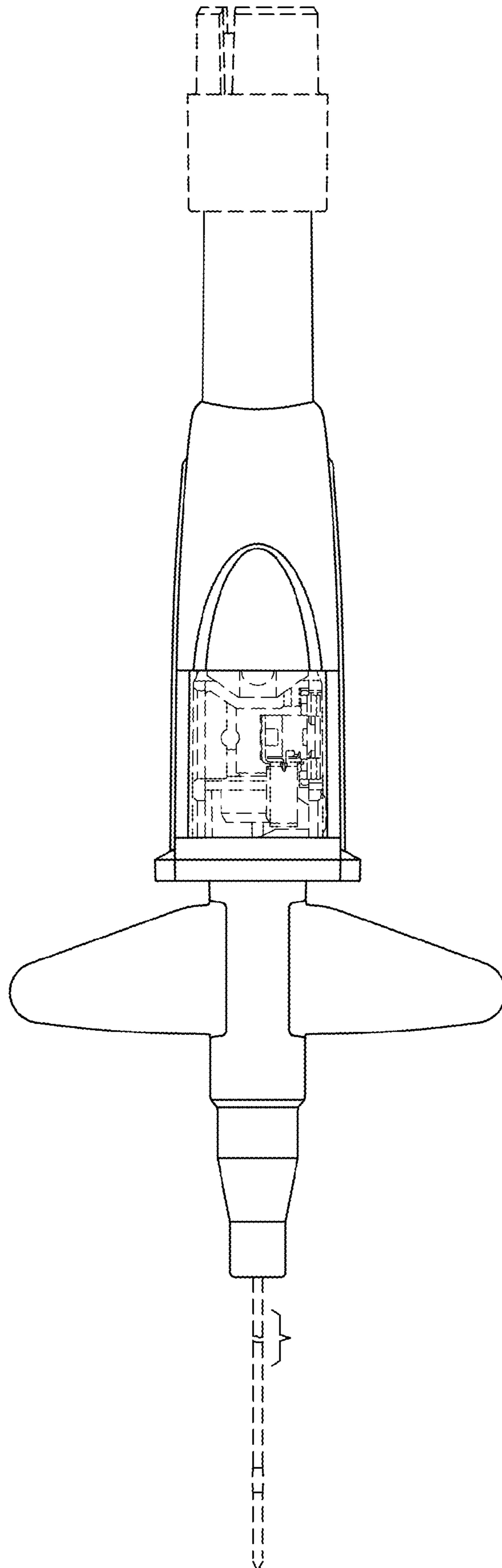


FIG. 6

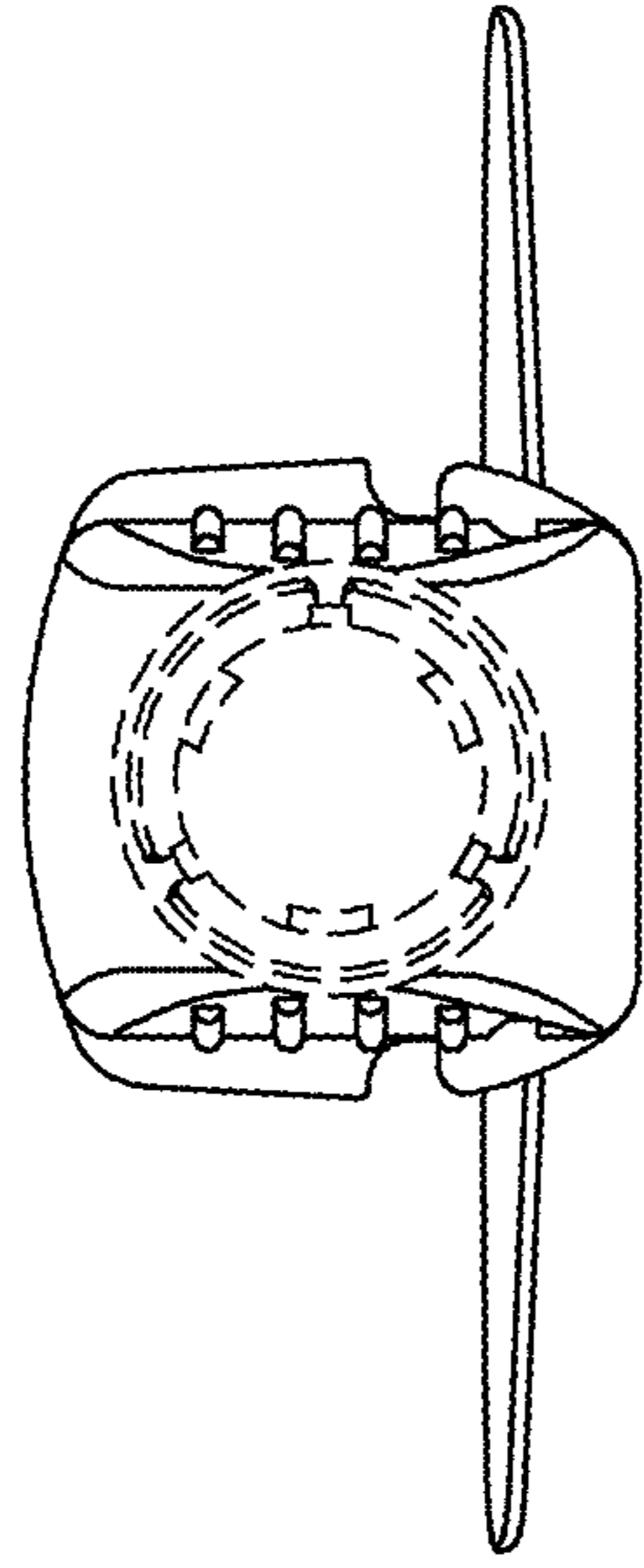


FIG. 8

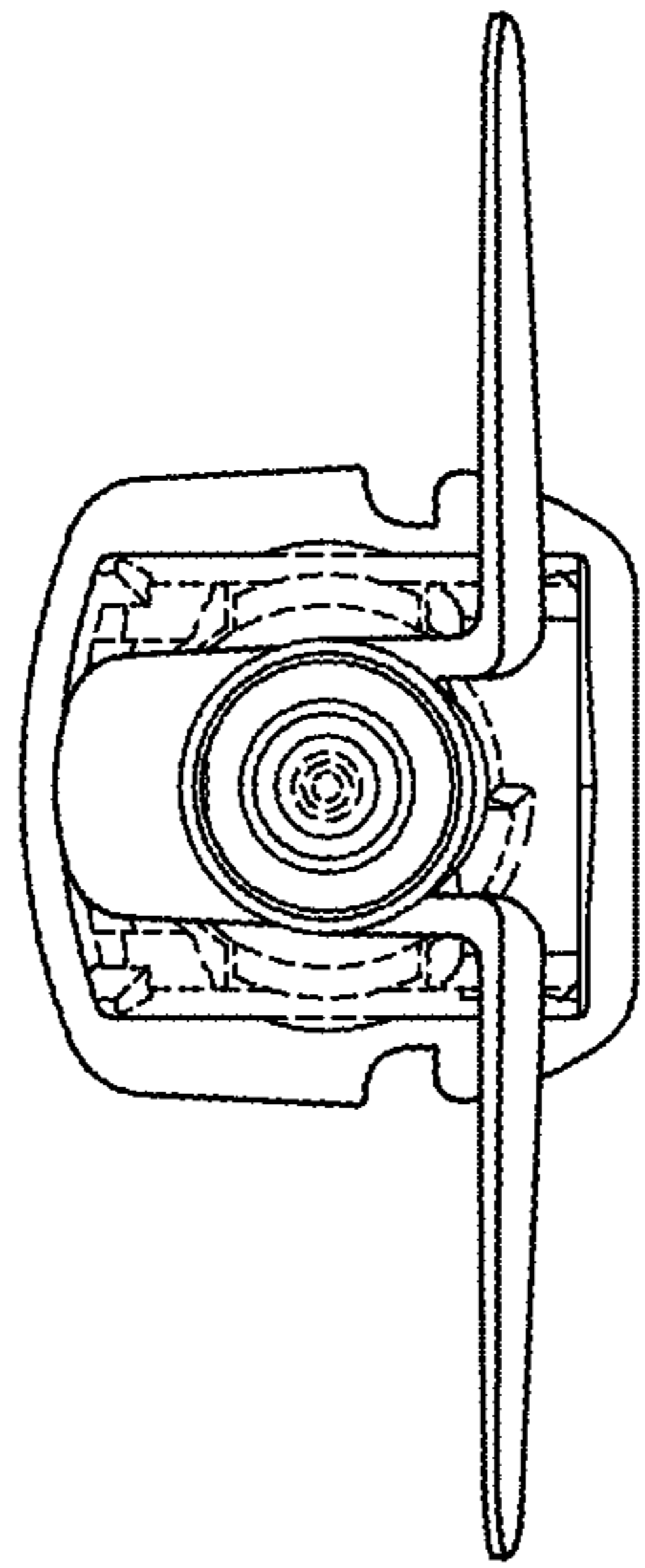


FIG. 7