



US00D880691S

(12) **United States Design Patent**
Wang et al.

(10) **Patent No.:** **US D880,691 S**

(45) **Date of Patent:** **** Apr. 7, 2020**

- (54) **MULTI-PORT TUBING ADAPTER**
- (71) Applicant: **Avent, Inc.**, Alpharetta, GA (US)
- (72) Inventors: **Ruoya Wang**, Decatur, GA (US); **Ryan Smith**, Atlanta, GA (US)
- (73) Assignee: **Avent, Inc.**, Alpharetta, GA (US)
- (**) Term: **15 Years**
- (21) Appl. No.: **29/673,464**
- (22) Filed: **Dec. 14, 2018**
- (51) **LOC (12) Cl.** **24-02**
- (52) **U.S. Cl.**
USPC **D24/129**
- (58) **Field of Classification Search**
USPC D24/127-131, 112-114, 133, 186;
606/181, 185; 604/264, 523-528, 272,
604/187, 158, 164.01-164.11, 181, 184,
604/227; 600/101, 139, 143;
128/200.24, 207.14, 207.15
CPC A61M 25/00; A61M 39/00; A61M 27/00;
A61M 25/0043; A61M 25/0067; A61M
25/0097
See application file for complete search history.

- D710,493 S * 8/2014 Wu D24/110
- D731,049 S * 6/2015 Winter D24/107
- D744,636 S * 12/2015 Sanders D24/110.5
- D760,376 S * 6/2016 Korneliusen D24/110
- D765,831 S * 9/2016 Li D24/110
- 2005/0284473 A1* 12/2005 Young A61M 15/0028
128/203.15

* cited by examiner

Primary Examiner — Nathan M Johnston

(74) *Attorney, Agent, or Firm* — Dority & Manning, P.A.

(57) **CLAIM**

The ornamental design for a multi-port tubing adapter, as shown and described.

DESCRIPTION

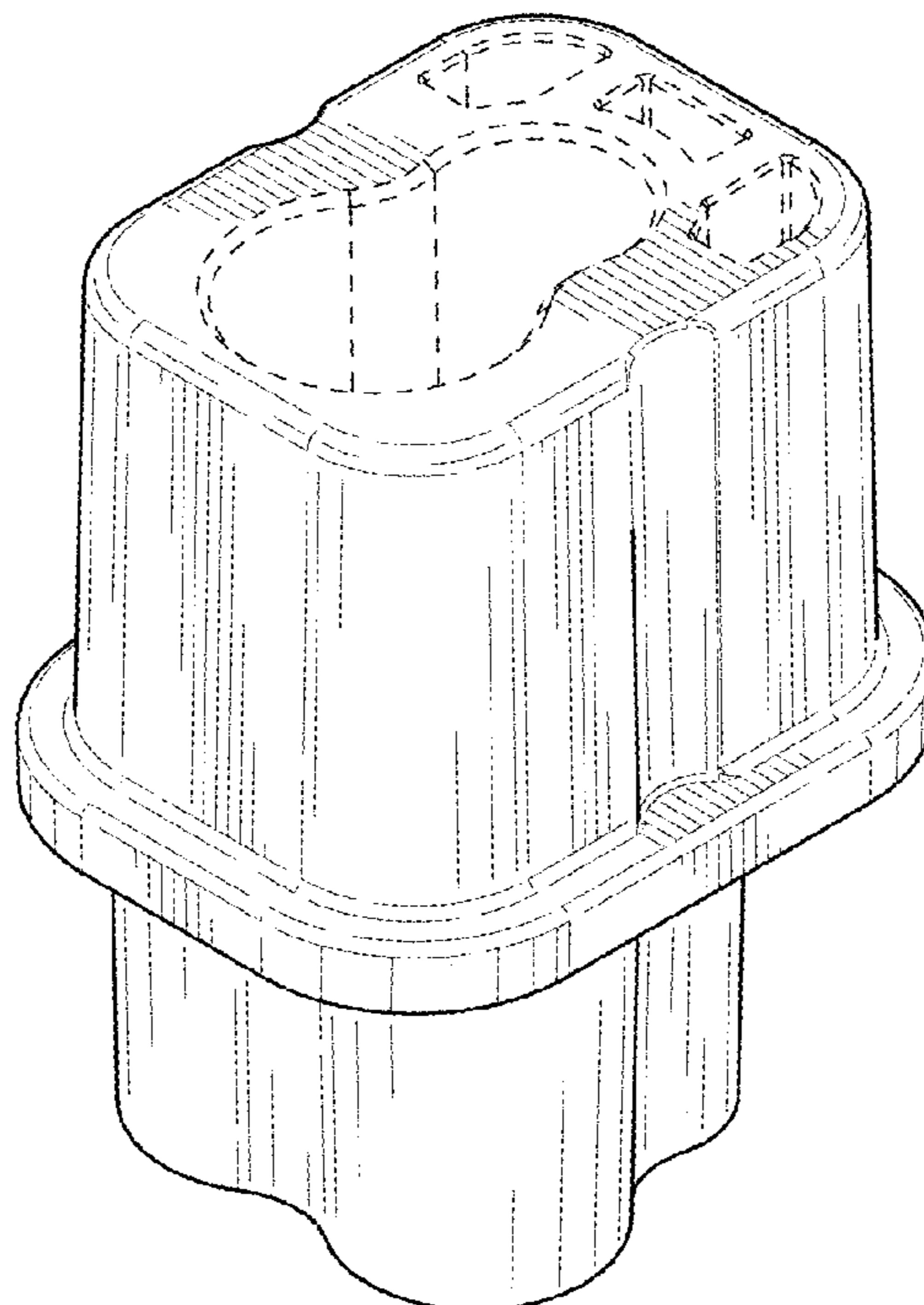
FIG. 1 is a front perspective view of a multi-port tubing adapter according to the present design;
 FIG. 2 is a rear perspective view of the multi-port tubing adapter of FIG. 1;
 FIG. 3 is a front view of the multi-port tubing adapter of FIG. 1;
 FIG. 4 is a rear view of the multi-port tubing adapter of FIG. 1;
 FIG. 5 is a right side view of the multi-port tubing adapter of FIG. 1;
 FIG. 6 is a left side view of the multi-port tubing adapter of FIG. 1;
 FIG. 7 is a top view of the multi-port tubing adapter of FIG. 1; and,
 FIG. 8 is a bottom view of the multi-port tubing adapter of FIG. 1.
 The broken lines show portions of the design that form no part of the claimed design.

1 Claim, 3 Drawing Sheets

(56) **References Cited**

U.S. PATENT DOCUMENTS

- D262,320 S * 12/1981 Mono 128/203.12
- D478,659 S * 8/2003 Hall D24/108
- D556,824 S * 12/2007 Sawicki D19/119
- D561,330 S * 2/2008 Richards D24/110
- D655,405 S * 3/2012 Winter D24/110.6
- D707,820 S * 6/2014 Cardinale D24/127



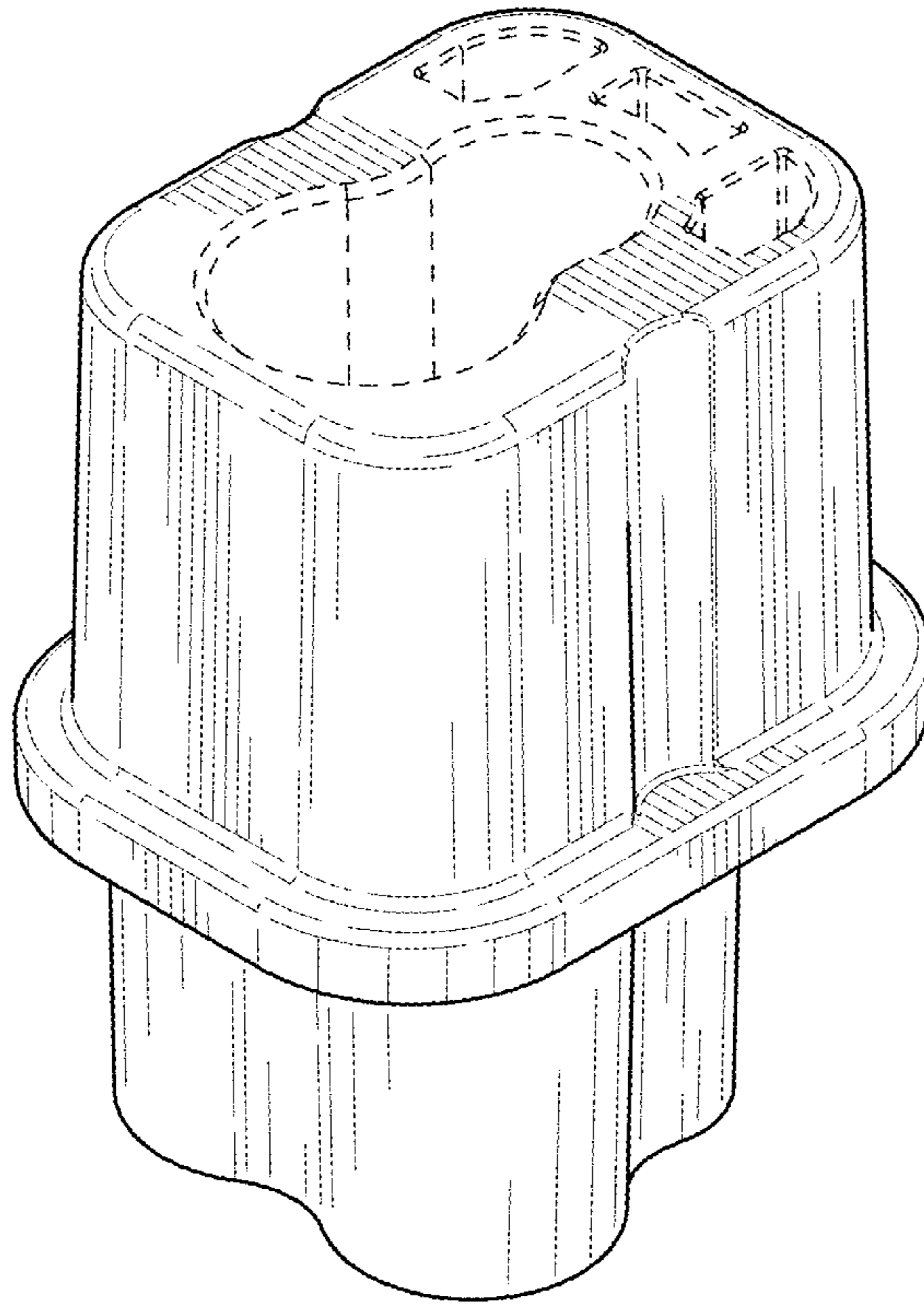


FIG. 1

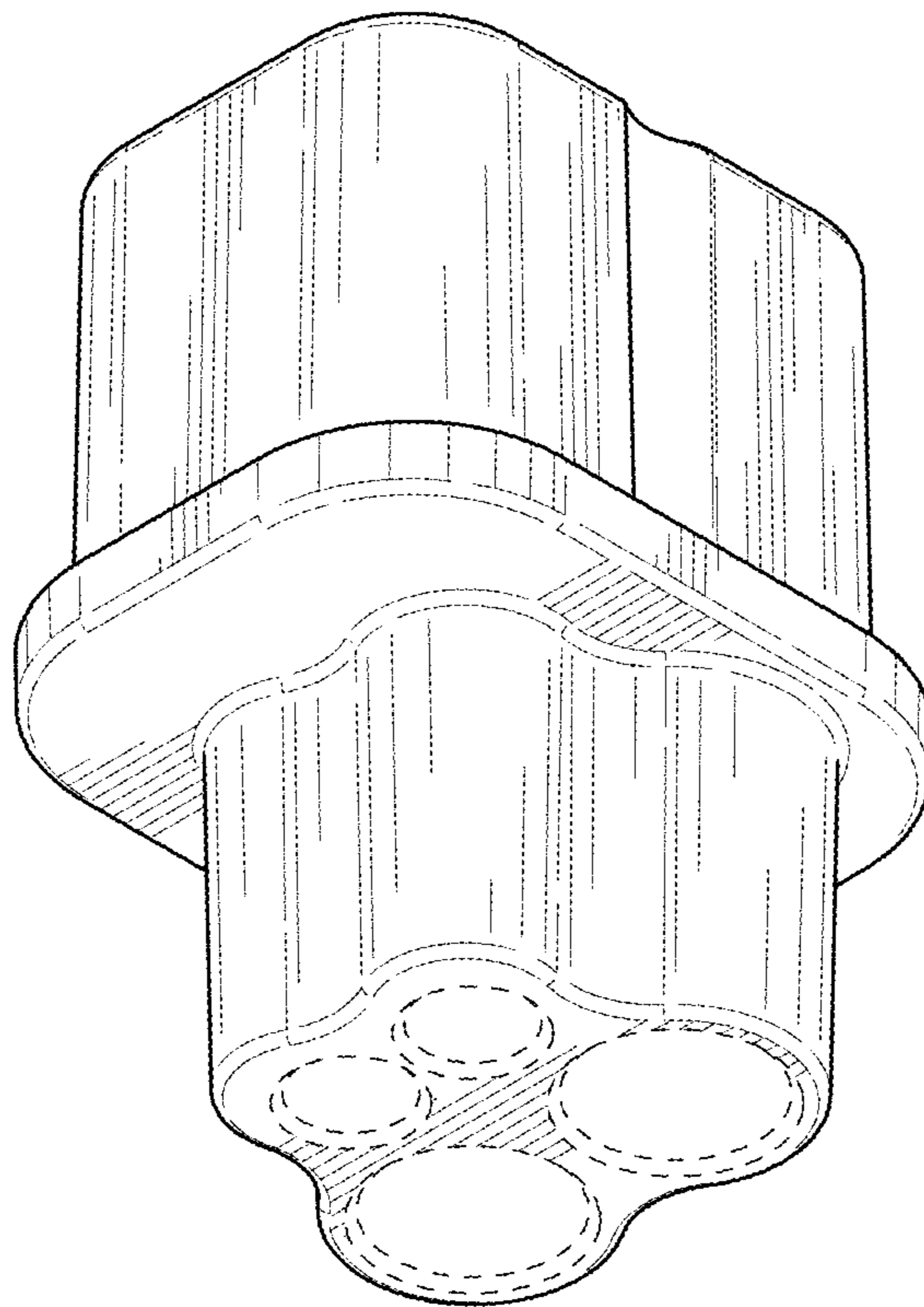


FIG. 2

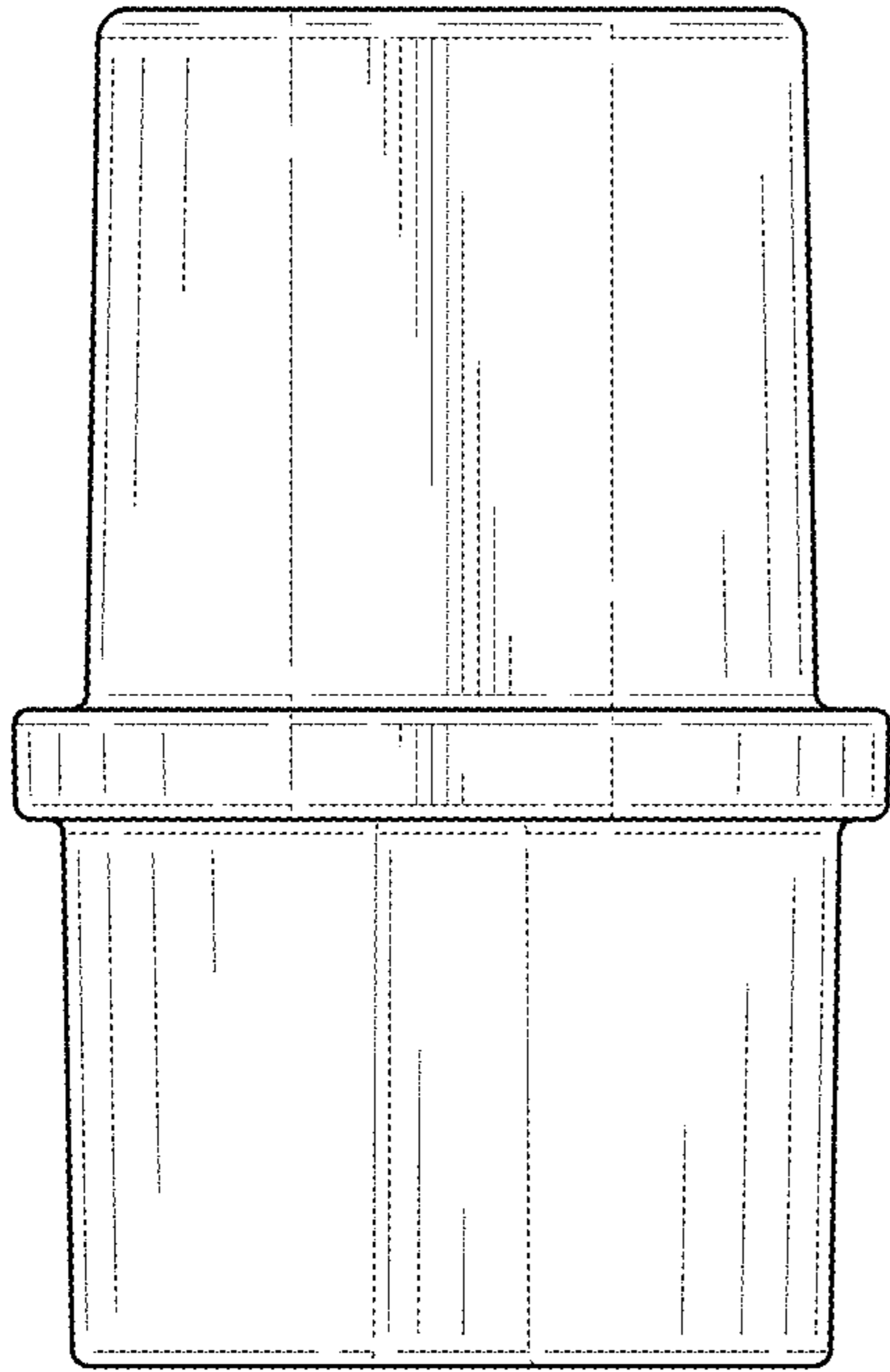


FIG. 3

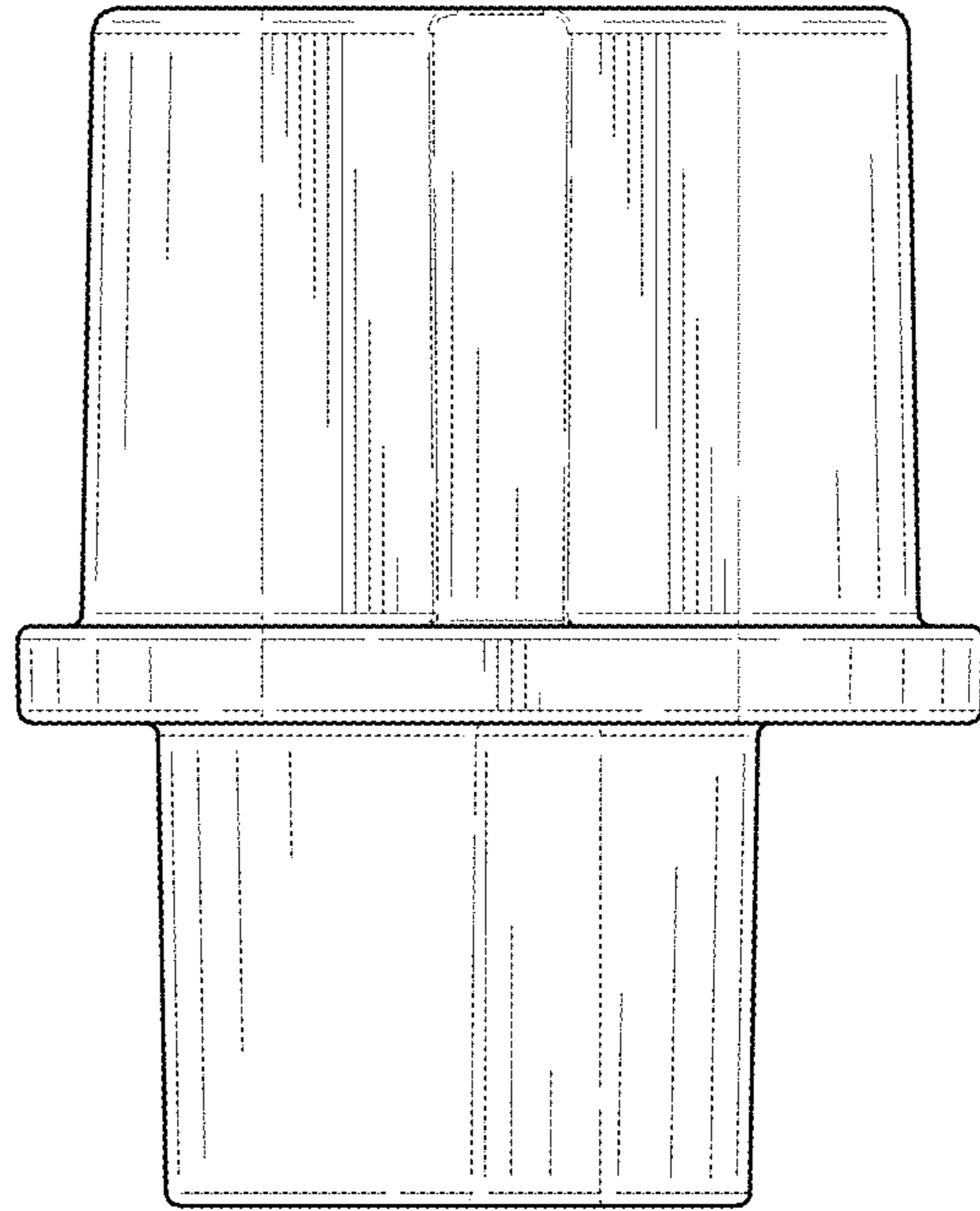


FIG. 4

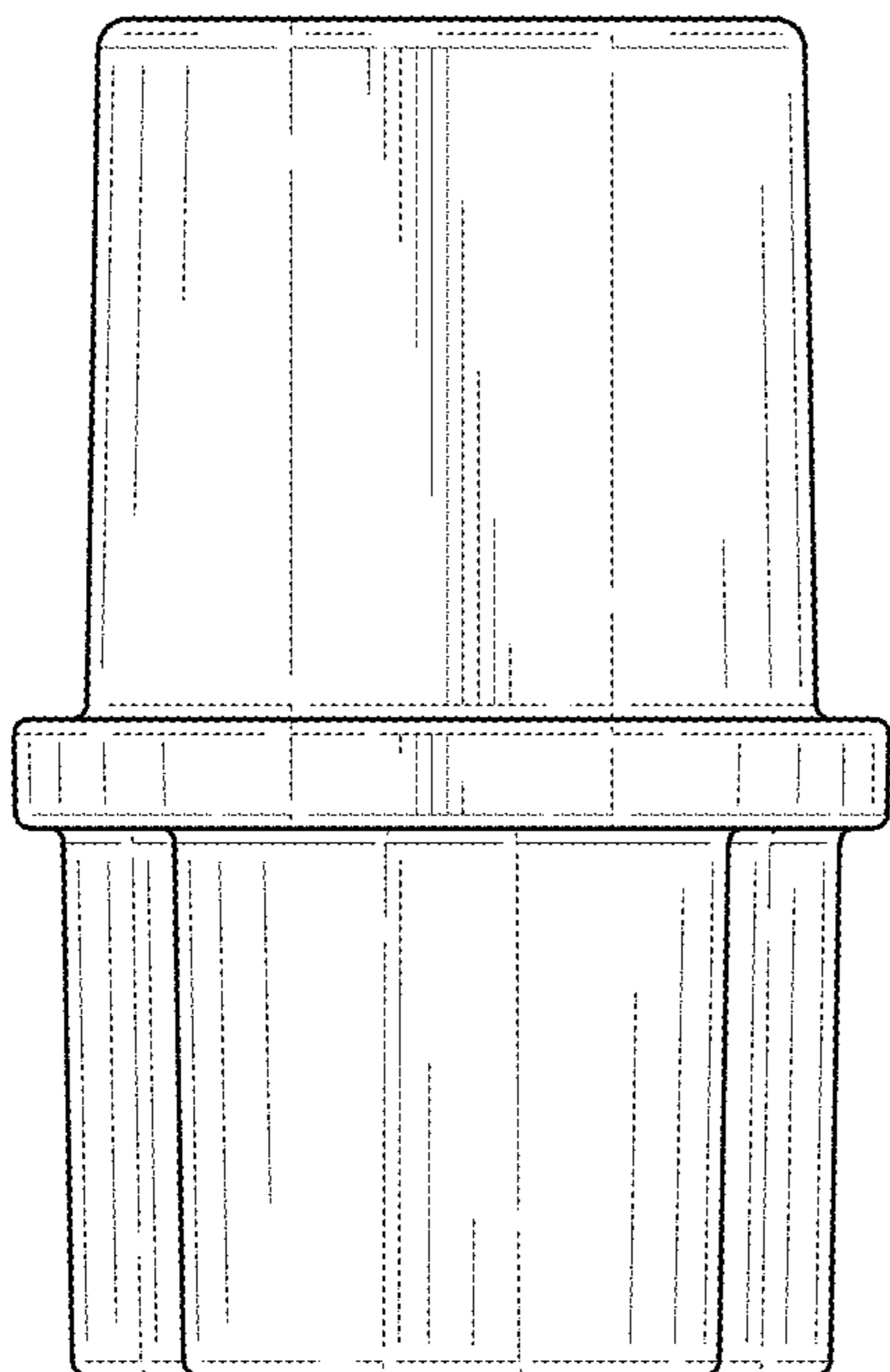


FIG. 5

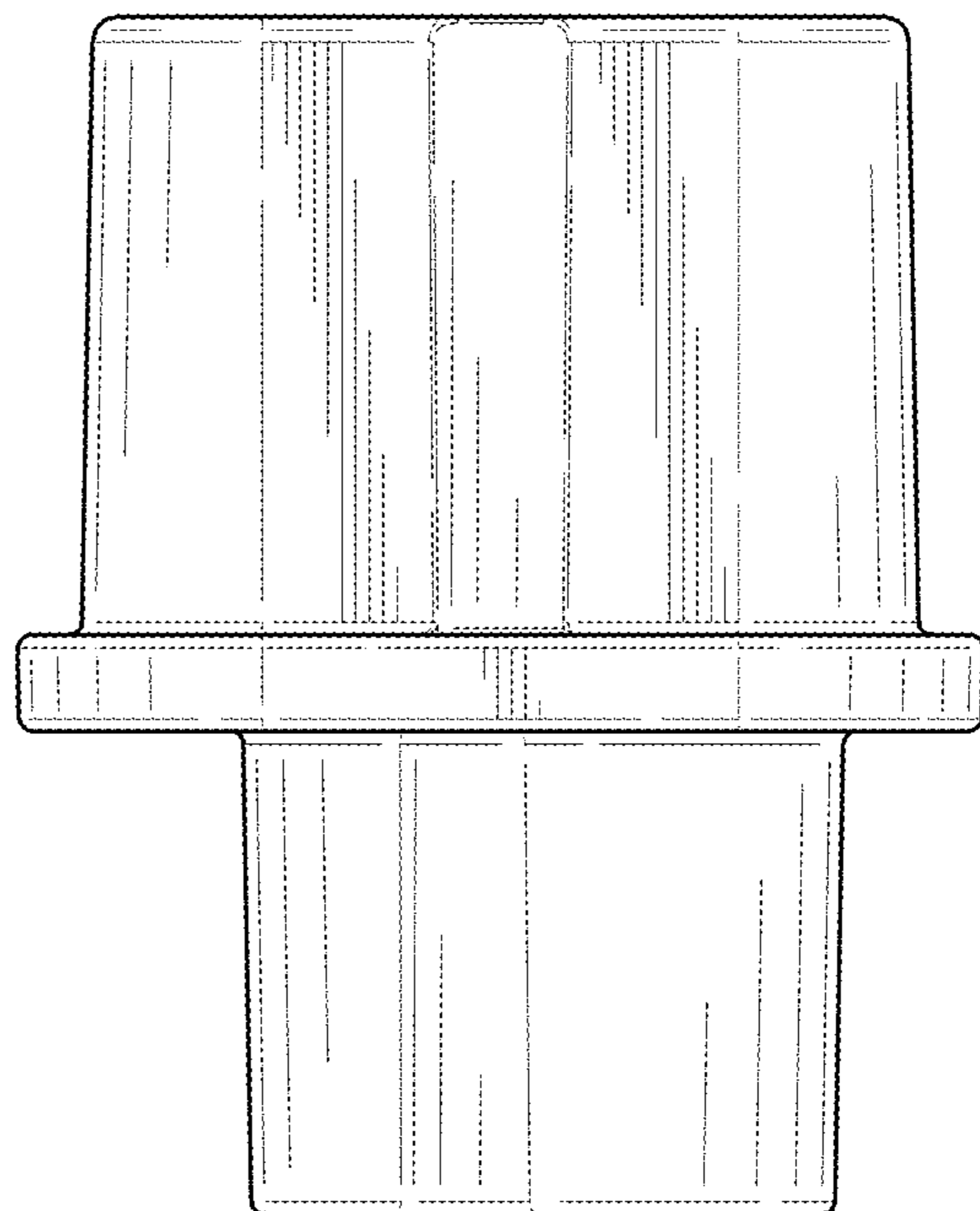


FIG. 6

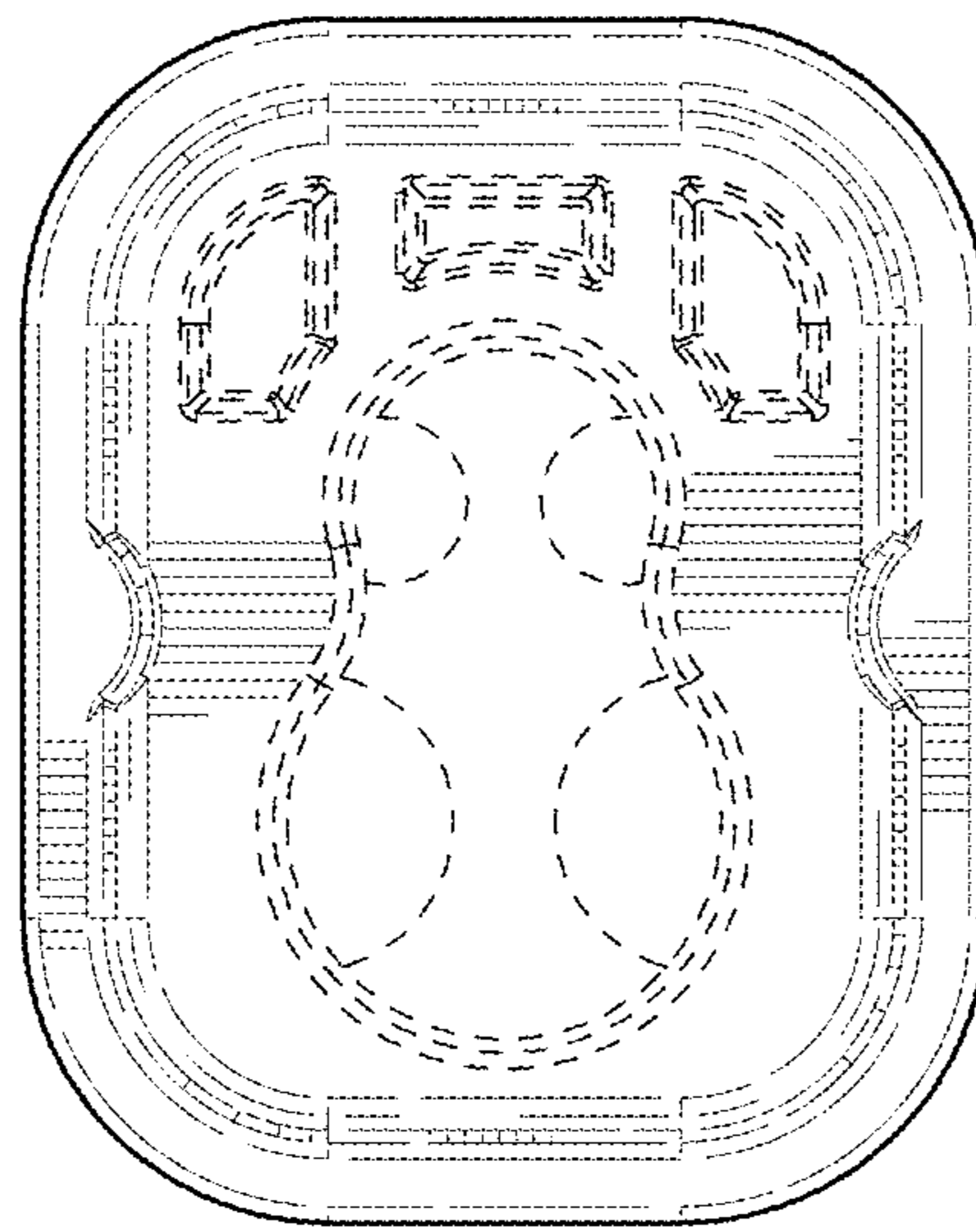


FIG. 7

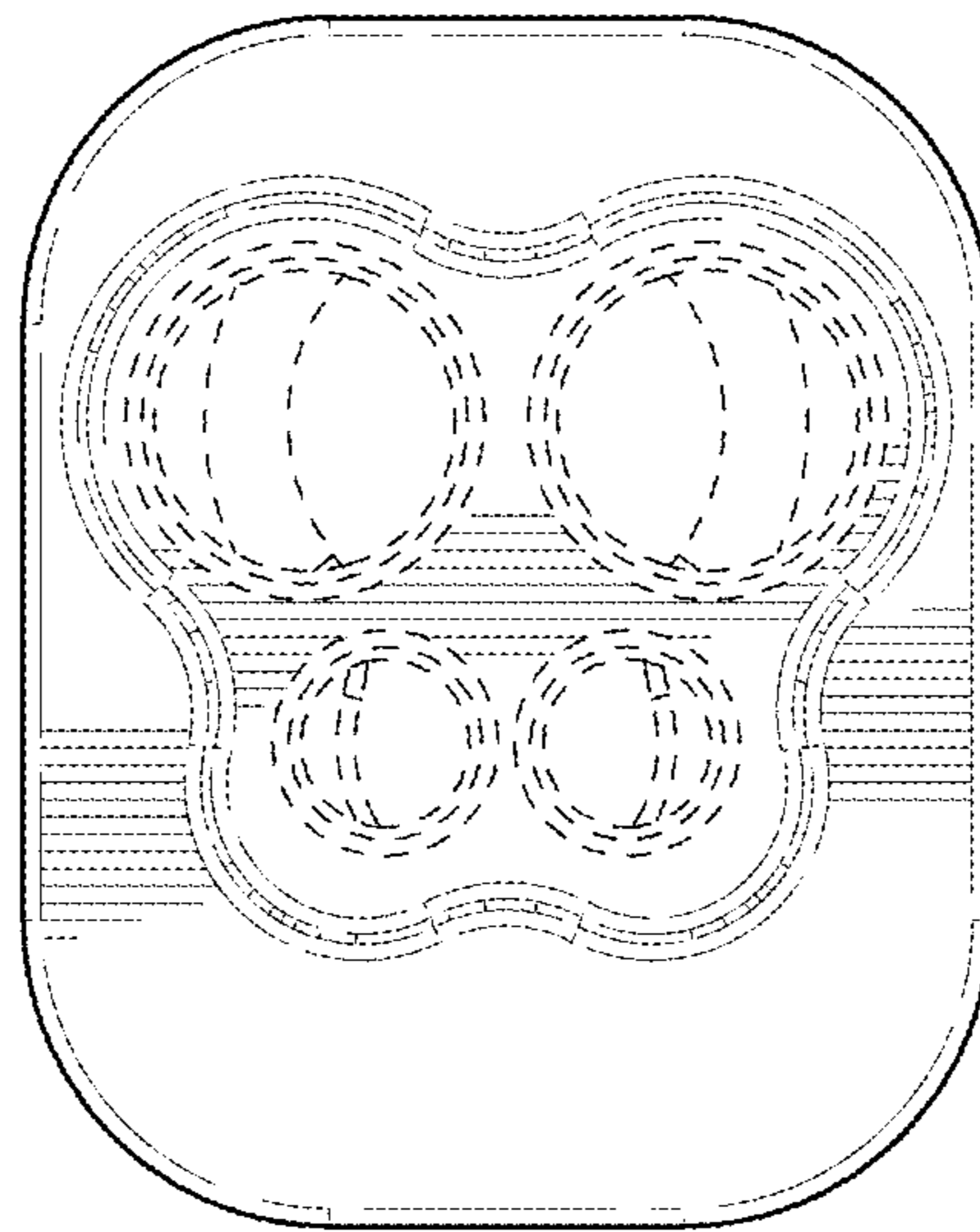


FIG. 8