



US00D880690S

(12) **United States Design Patent** (10) **Patent No.:** **US D880,690 S**  
**Smith et al.** (45) **Date of Patent:** **\*\* Apr. 7, 2020**

(54) **PRESSURE CATHETER CONNECTOR**

(71) Applicant: **Laborie Medical Technologies Corp.**,  
Williston, VT (US)

(72) Inventors: **Megan Melissa Smith**, Nine Mile  
River (CA); **Kristian Josef Olsen**,  
Saratoga Springs, UT (US); **Vincent  
Lambert**, Salisbury, MA (US); **Steven  
Christopher Lepke**, Wakefield, MA  
(US)

(73) Assignee: **Laborie Medical Technologies Corp.**,  
Williston, VT (US)

(\*\*) Term: **15 Years**

(21) Appl. No.: **29/657,875**

(22) Filed: **Jul. 26, 2018**

(51) **LOC (12) Cl.** ..... **24-02**

(52) **U.S. Cl.**  
USPC ..... **D24/129**

(58) **Field of Classification Search**  
USPC ..... D24/127-131, 112-114, 133, 186;  
606/181, 185; 604/264, 523-528, 272,  
604/187, 158, 164.01-164.11, 181, 184,  
604/227; 600/101, 139, 143;  
128/200.24, 207.14, 207.15  
CPC ..... A61M 25/00; A61M 39/00; A61M 27/00;  
A61M 25/0043; A61M 25/0067; A61M  
25/0097; A61F 2/958  
See application file for complete search history.

(56) **References Cited**

**U.S. PATENT DOCUMENTS**

D353,198 S \* 12/1994 Blasdel ..... D24/129  
5,573,007 A 11/1996 Bobo  
5,672,161 A \* 9/1997 Allen ..... A61M 5/3202  
604/192  
5,776,116 A 7/1998 Lopez et al.

5,795,325 A 8/1998 Valley et al.  
6,421,013 B1 7/2002 Chung et al.  
D478,662 S \* 8/2003 Flinchbaugh ..... D24/129  
6,649,829 B2 11/2003 Garber et al.  
6,673,022 B1 1/2004 Bobo et al.  
D561,330 S \* 2/2008 Richards ..... D24/110  
7,352,771 B2 4/2008 Garber  
7,926,856 B2 4/2011 Smutney et al.

(Continued)

**FOREIGN PATENT DOCUMENTS**

EP 774919 B1 11/2002  
EP 1996851 B1 11/2011

(Continued)

**OTHER PUBLICATIONS**

Smith et al., U.S. Appl. No. 16/045,895, filed Jul. 26, 2018, entitled  
"Pressure Catheter Connector," 45 pages.

(Continued)

*Primary Examiner* — Nathan M Johnston

(74) *Attorney, Agent, or Firm* — Fredrikson & Byron P.A.

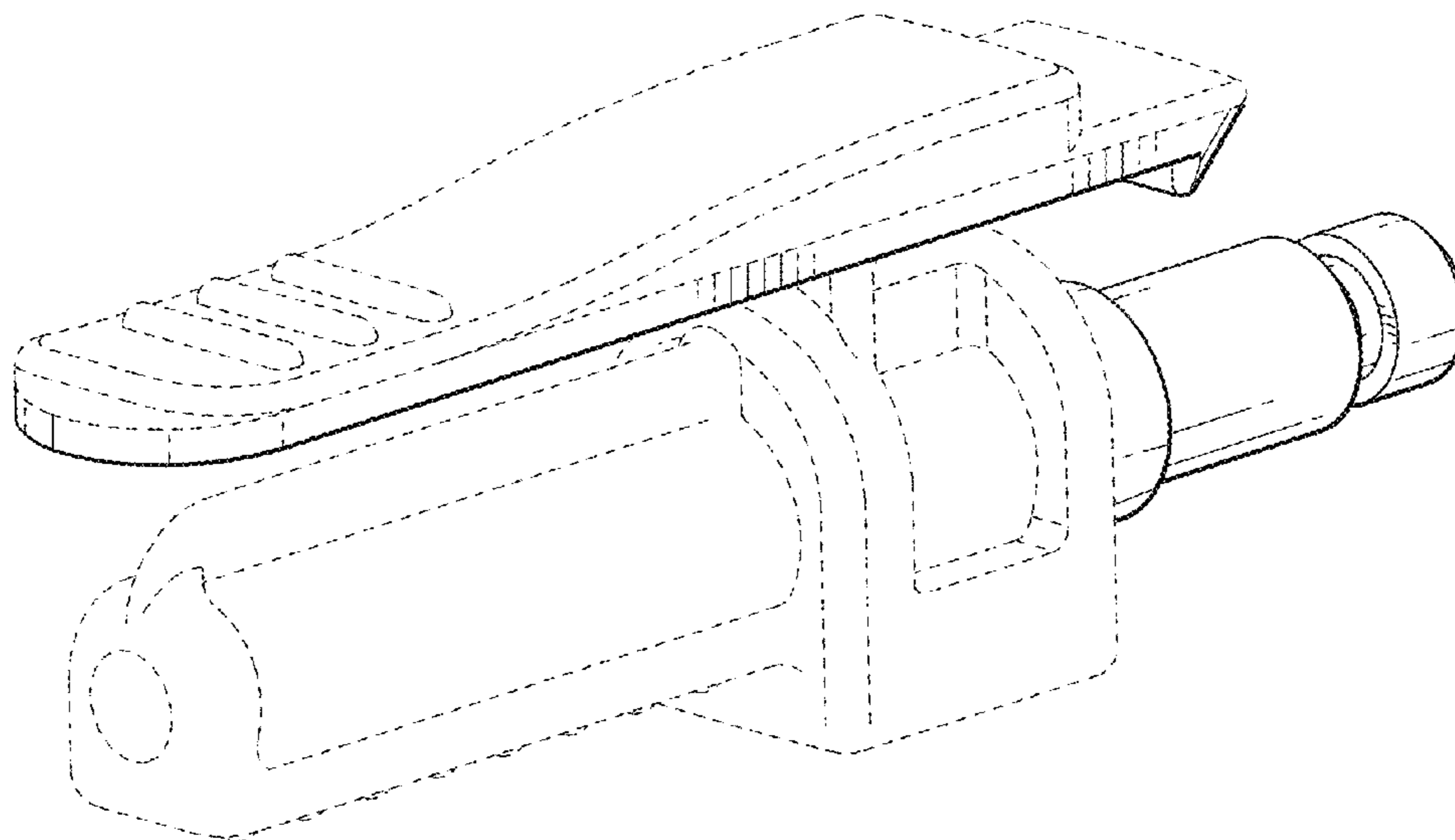
(57) **CLAIM**

We claim the ornamental design for a pressure catheter  
connector, as shown and described.

**DESCRIPTION**

FIG. 1 is an upper perspective view of a pressure catheter  
connector of Applicant's design;  
FIG. 2 is a first side elevation view thereof;  
FIG. 3 is a second side elevation view thereof, the second  
side being opposite the first side;  
FIG. 4 is a bottom plan view thereof;  
FIG. 5 is a top plan view thereof.  
FIG. 6 is a rear end elevation view thereof; and,  
FIG. 7 is a front end elevation view thereof.  
The broken lines show portions of the design that form no  
part of the claimed design.

**1 Claim, 3 Drawing Sheets**



(56)

References Cited

U.S. PATENT DOCUMENTS

RE44,310 E 6/2013 Chadbourne et al.  
 D697,200 S \* 1/2014 Mahaffy ..... D24/110  
 D742,503 S \* 11/2015 Mullinger ..... D24/110  
 D776,278 S \* 1/2017 Newman ..... D24/164  
 D797,935 S \* 9/2017 Newman ..... D24/164  
 D824,015 S \* 7/2018 Adamo ..... D24/110  
 D841,798 S \* 2/2019 Kinsey ..... D24/110  
 2004/0215154 A1\* 10/2004 Hwang ..... A61M 5/3216  
 604/263  
 2005/0064223 A1 3/2005 Bavaro et al.  
 2005/0187430 A1 8/2005 Aundal et al.  
 2008/0030343 A1 2/2008 Raybuck et al.  
 2009/0009290 A1 1/2009 Kneip et al.  
 2009/0171278 A1 7/2009 Hirszowicz et al.  
 2009/0306539 A1 12/2009 Woodruff et al.  
 2010/0001516 A1 1/2010 Pisula, Jr. et al.  
 2010/0249663 A1 9/2010 Nishtala  
 2010/0249723 A1 9/2010 Fangrow, Jr.  
 2011/0210541 A1 9/2011 Lewis et al.  
 2013/0184612 A1 7/2013 Quackenbush et al.  
 2013/0268029 A1 10/2013 Cauller et al.  
 2013/0270820 A1 10/2013 Py  
 2014/0266775 A1 9/2014 Moon et al.

2015/0135502 A1 5/2015 Rankin et al.  
 2015/0250974 A1 9/2015 Bobo, Sr. et al.  
 2016/0029912 A1 2/2016 Stimpson  
 2016/0046130 A1 2/2016 Burdge et al.  
 2016/0089254 A1 3/2016 Hopkinson et al.  
 2016/0213228 A1 7/2016 Rohl et al.  
 2017/0021144 A1 1/2017 Kanner et al.  
 2017/0258345 A1 9/2017 Smith  
 2017/0259035 A1 9/2017 Smith et al.  
 2017/0368325 A1\* 12/2017 Ueda ..... A61M 5/14  
 2018/0008813 A1\* 1/2018 Ueda ..... A61M 39/10

FOREIGN PATENT DOCUMENTS

EP 1799610 B1 11/2012  
 EP 1866611 B1 9/2014  
 WO 2005107006 A1 11/2005  
 WO 2009055435 A1 4/2009

OTHER PUBLICATIONS

Smith et al., U.S. Appl. No. 16/046,061, filed Jul. 26, 2018, entitled  
 "Charger for Pressure Sensing Catheter," 49 pages.

\* cited by examiner

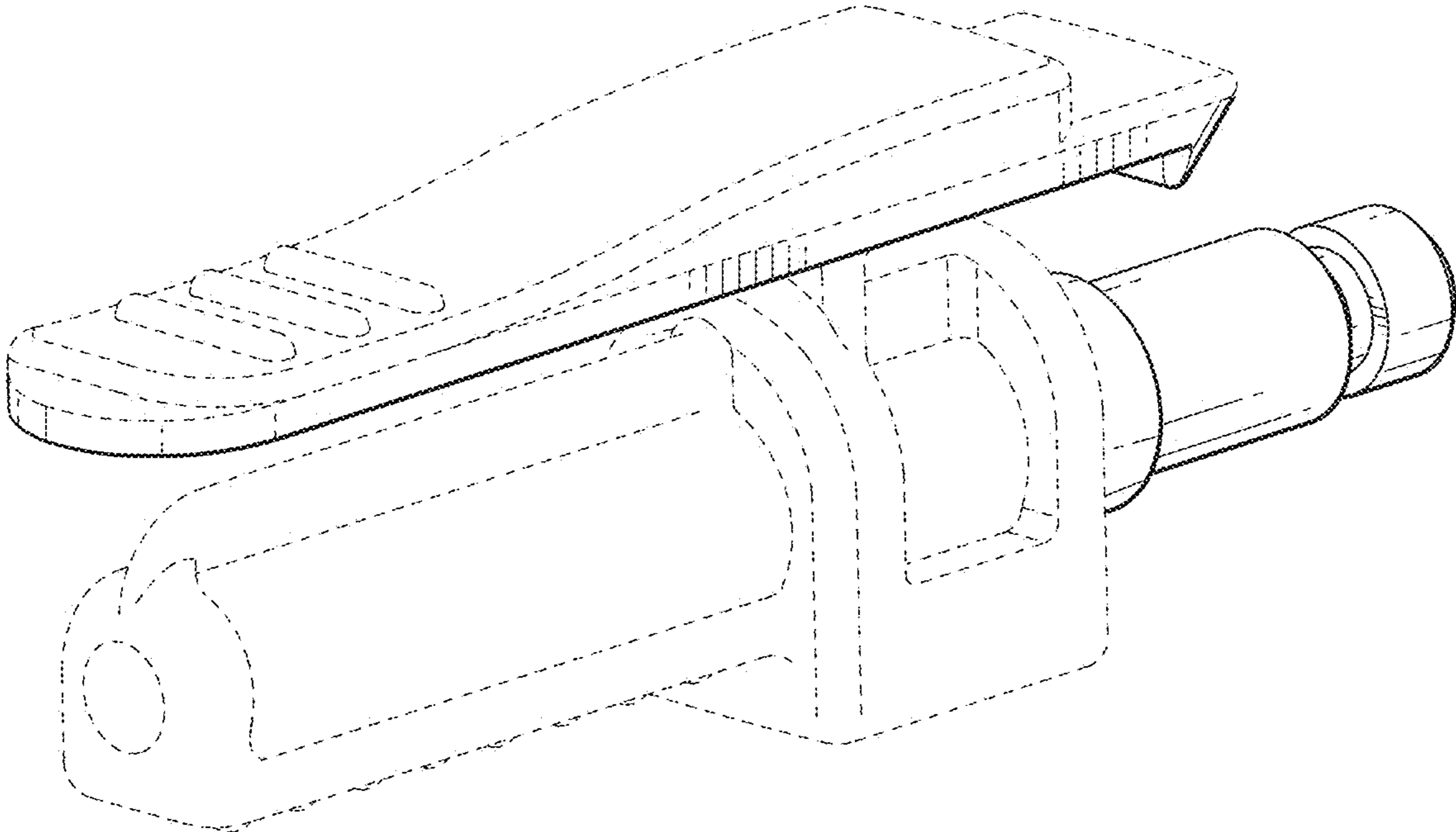


FIG. 1

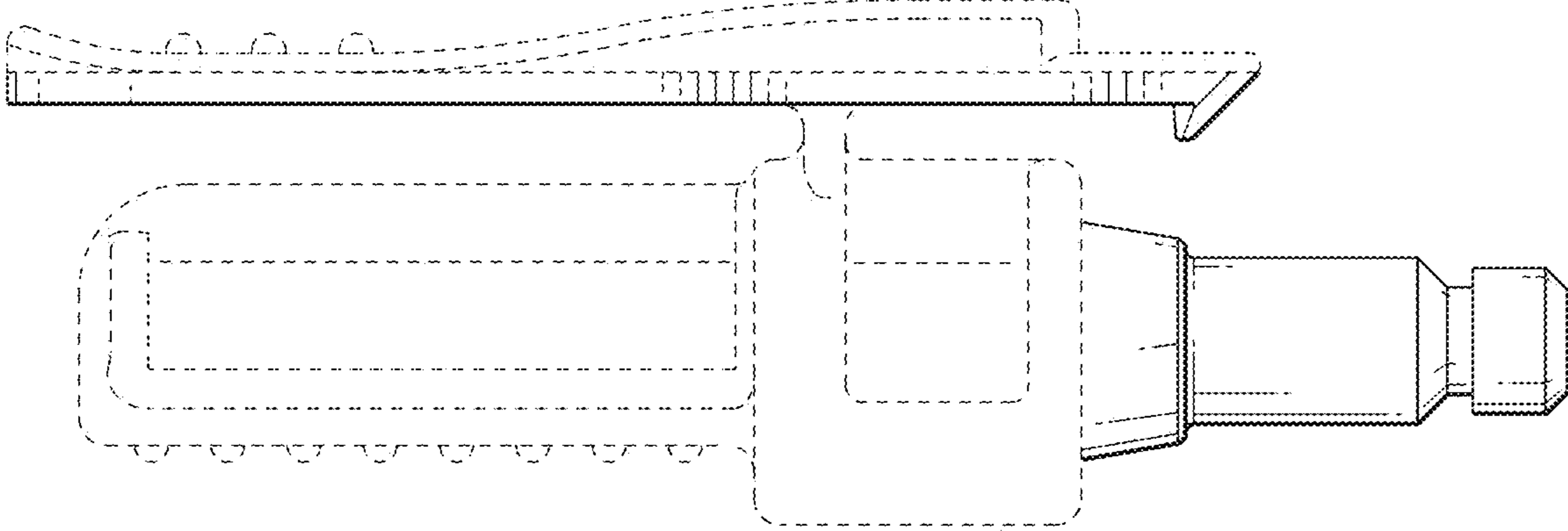


FIG. 2

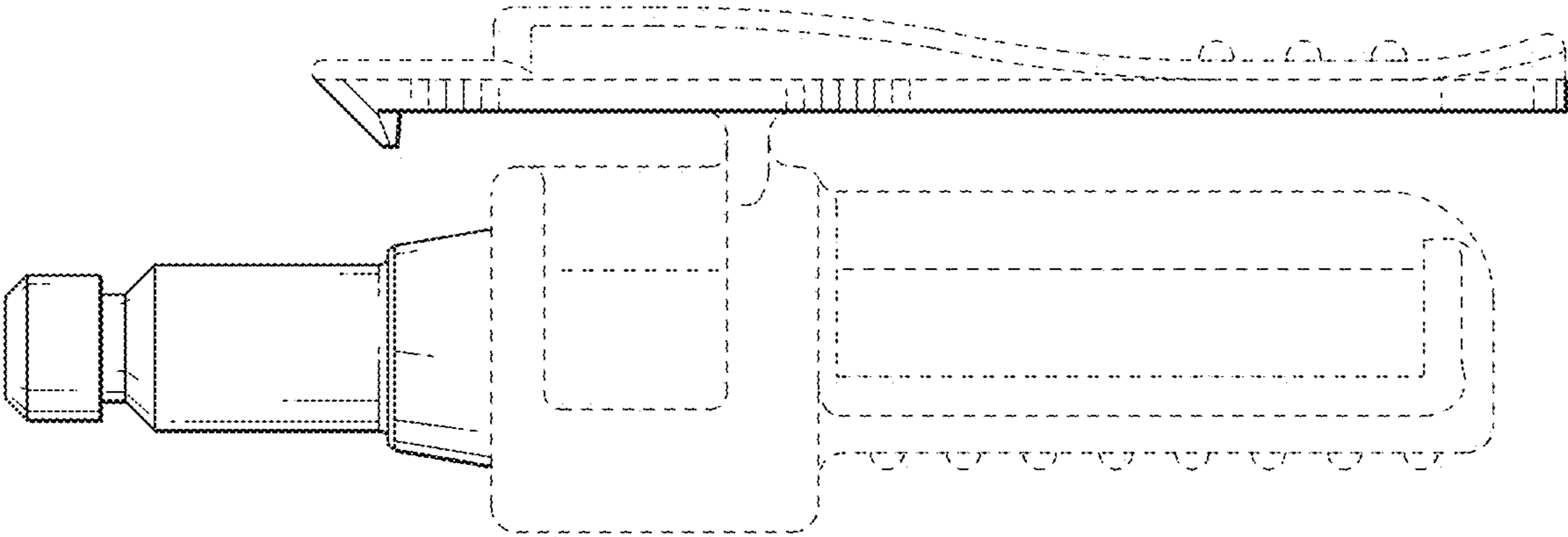


FIG. 3

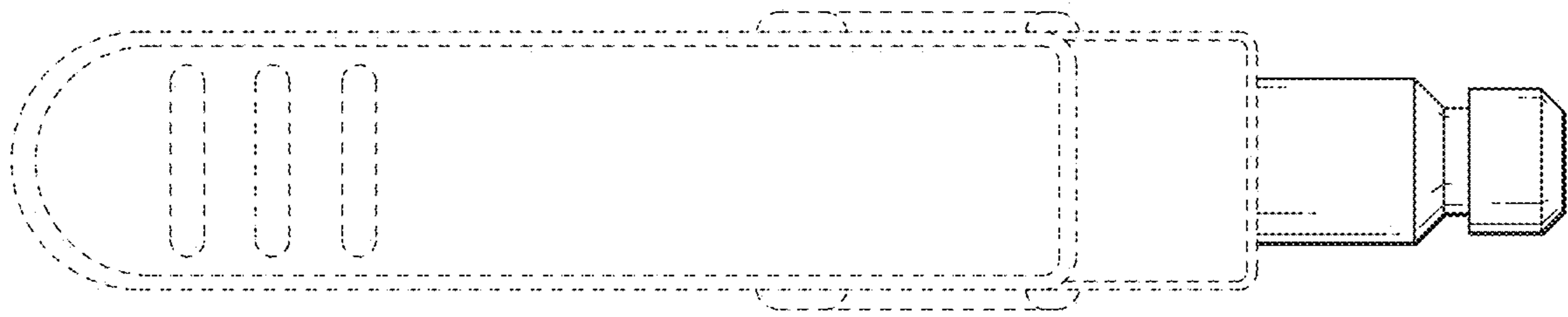


FIG. 4

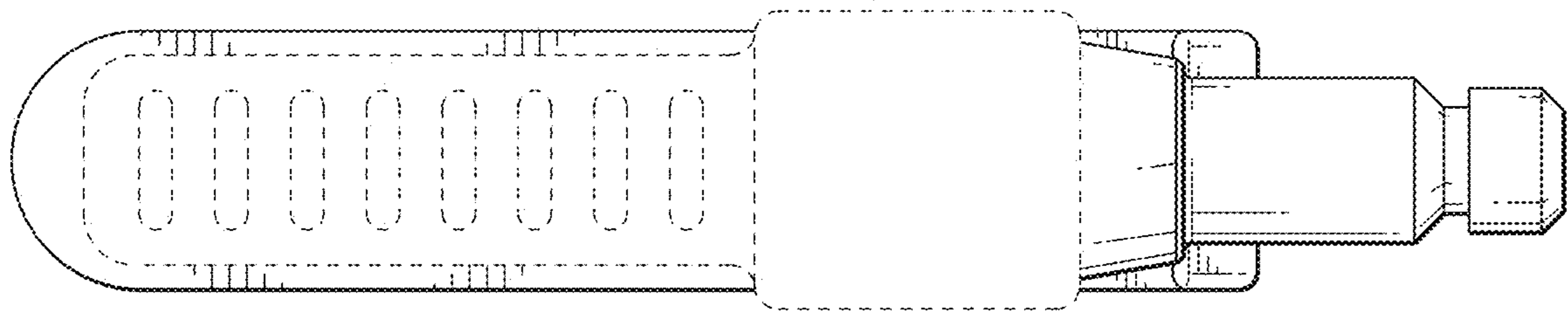


FIG. 5

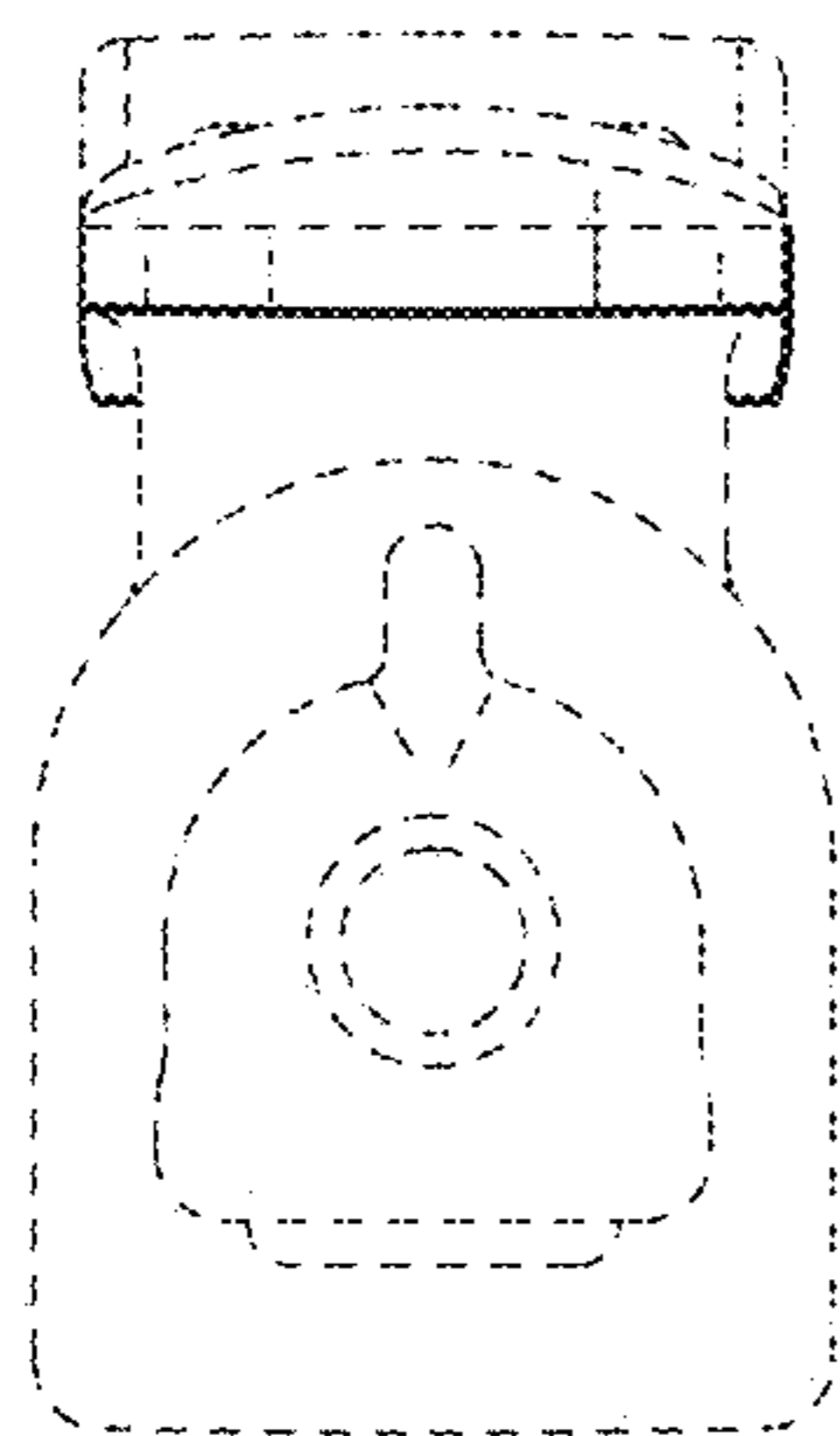


FIG. 6

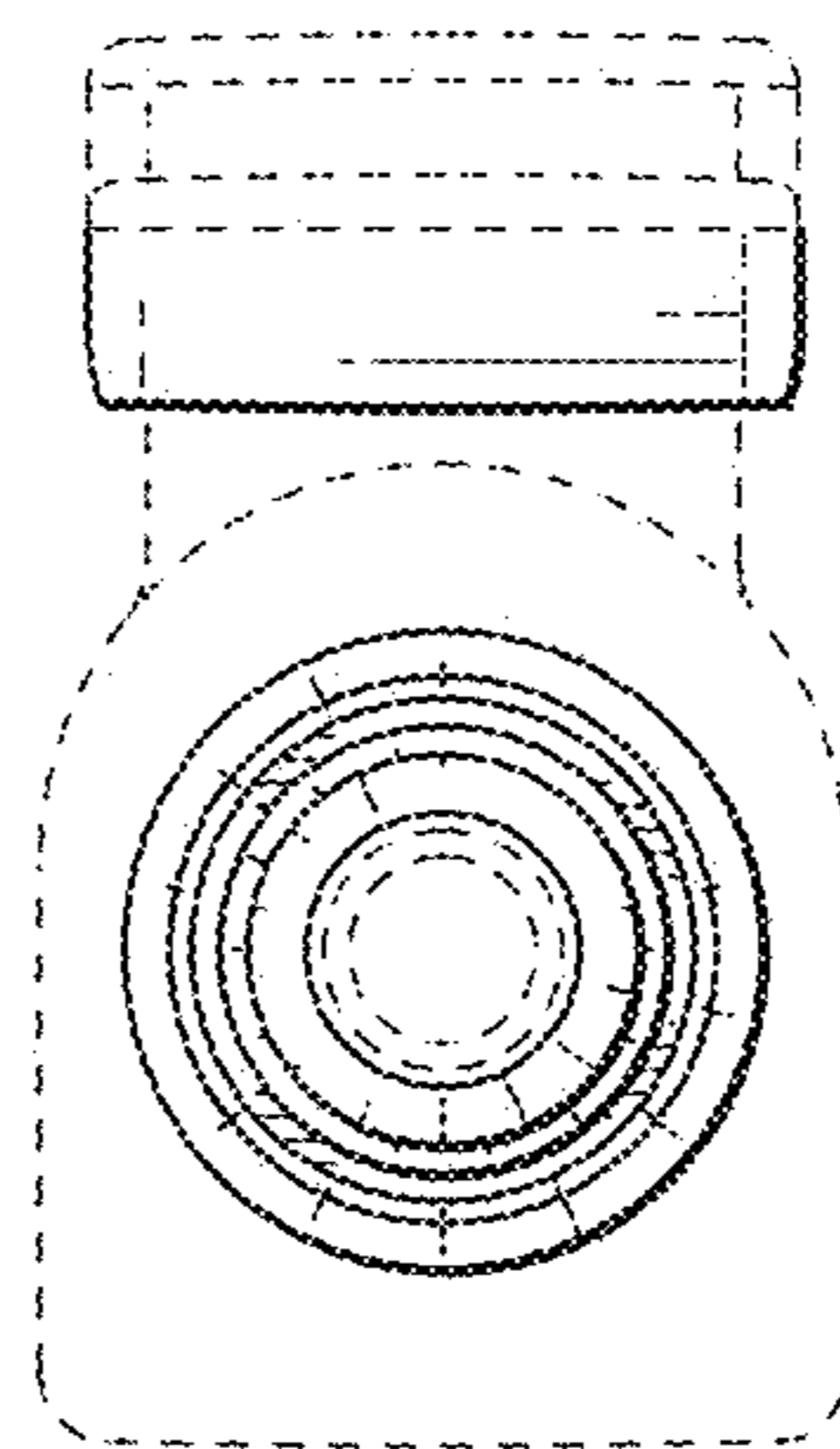


FIG. 7